



US00D873019S

(12) **United States Design Patent** (10) **Patent No.:** **US D873,019 S**
Seibert (45) **Date of Patent:** **** Jan. 21, 2020**

(54) **TOOL CONTAINER**

(71) Applicant: **BLACK & DECKER INC.**, New Britain, CT (US)

(72) Inventor: **Matthew A. Seibert**, Columbus, OH (US)

(73) Assignee: **BLACK & DECKER INC.**, New Britain, CT (US)

6,082,539	A	7/2000	Lee	
6,271,320	B1	8/2001	Keller et al.	
6,349,827	B1	2/2002	Feder	
6,543,613	B2	4/2003	Belanger	
6,868,967	B2	3/2005	Lam	
D528,793	S	9/2006	Cornwell et al.	
7,219,969	B2	5/2007	Bezzubov	
7,237,673	B2	7/2007	Wikle et al.	
D548,971	S *	8/2007	Lin	D3/294
7,322,470	B2	1/2008	Brunson	
D563,102	S	3/2008	Cornwell et al.	

(Continued)

(**) Term: **15 Years**

FOREIGN PATENT DOCUMENTS

(21) Appl. No.: **29/672,213**

DE	3517308	A1	9/1985
DE	202014105326	U1	12/2014
EP	1736416	A2	12/2006

(22) Filed: **Dec. 4, 2018**

(51) **LOC (12) Cl.** **03-01**

(52) **U.S. Cl.**

USPC **D3/294**; D3/298; D3/905

(58) **Field of Classification Search**

USPC D3/203.6, 205, 273, 274, 275, 276, 278, D3/283, 284, 287, 289, 294, 297, 296, D3/299, 302, 303, 901, 903, 905, 301, D3/298

CPC .. A45D 2033/001; A45D 33/00; A45D 44/18; A45C 11/16; A45C 3/004; A45C 2003/008; A45C 5/005; A45C 2011/002; A45C 15/04; A45C 2200/10; B25H 3/028; B25H 3/023; B25H 3/02; B25H 3/003

See application file for complete search history.

OTHER PUBLICATIONS

Home Depot, "Max Impact 2.5 in. Steel #25 Torx Bit (15-Piece) with Small Bulk Storage Case", Accessed Aug. 15, 2019. (<https://www.homedepot.com/p/DEWALT-MAX-IMPACT-2-5-in-Steel-25-Torx-Bit-15-Piece-with-Small-Bulk-Storage-Case-DWA2TX25MI15/309474880>) (Year: 2019).*

Primary Examiner — April Rivas

(74) *Attorney, Agent, or Firm* — Scott B. Markow

(57) **CLAIM**

The ornamental design for a tool container, as shown and described.

DESCRIPTION

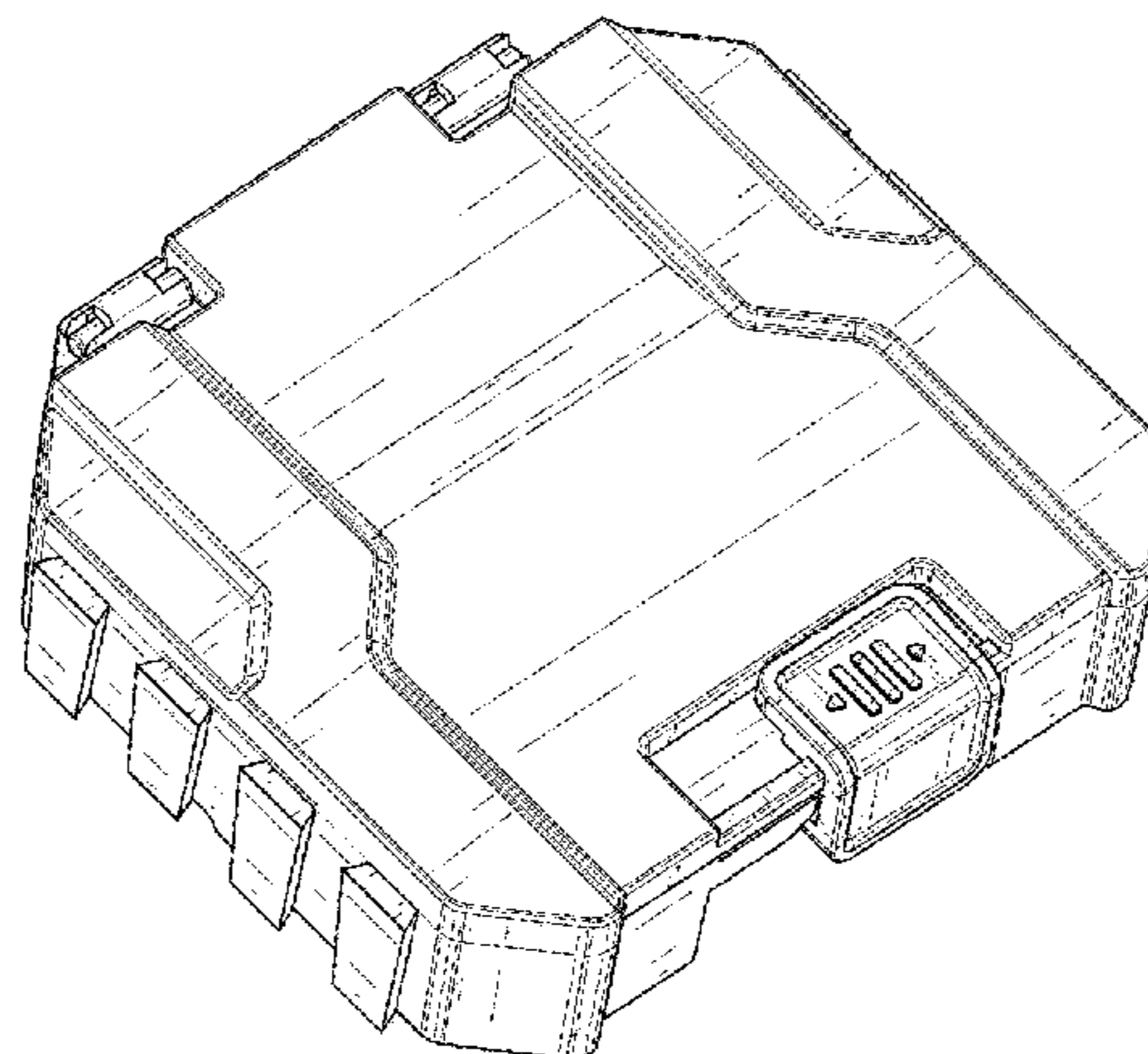
FIG. 1 is a top perspective view of a tool container.
FIG. 2 is a bottom perspective view thereof.
FIG. 3 is a front view thereof.
FIG. 4 is a rear view thereof.
FIG. 5 is a left side view thereof.
FIG. 6 is a right side view thereof.
FIG. 7 is a top plan view thereof; and,
FIG. 8 is a bottom plan view thereof.

1 Claim, 4 Drawing Sheets

(56) **References Cited**

U.S. PATENT DOCUMENTS

263,561	A	8/1882	Mower
4,643,494	A	2/1987	Marleau
4,863,222	A	9/1989	Posso
5,570,784	A	11/1996	Sidabras et al.
5,617,953	A	4/1997	Cope
5,803,254	A	9/1998	Vasudeva
5,887,715	A	3/1999	Vasudeva
5,890,613	A	4/1999	Williams
5,934,466	A	8/1999	Loeffler



(56)

References Cited

U.S. PATENT DOCUMENTS

D563,670	S	3/2008	Cornwell et al.	
D563,671	S	3/2008	Cornwell et al.	
D569,616	S *	5/2008	Lin	D3/273
D572,480	S *	7/2008	Buck	D3/294
7,690,856	B2	4/2010	Mortensen	
D645,663	S *	9/2011	Henley	D3/294
D648,531	S	11/2011	Finnigan et al.	
8,322,354	B2	12/2012	Parker	
8,459,495	B2	6/2013	Koenig et al.	
8,561,679	B2	10/2013	Andochick	
8,590,704	B2	11/2013	Koenig et al.	
8,714,355	B2	5/2014	Huang	
8,875,888	B2	11/2014	Koenig et al.	
8,979,100	B2	3/2015	Bensman et al.	
9,469,024	B2	10/2016	Bensman et al.	
D773,184	S *	12/2016	Ko	D3/274
D781,584	S	3/2017	Kinsky	
D789,086	S *	6/2017	Lin	D3/294
D799,822	S *	10/2017	Kanda	D3/276
D805,775	S *	12/2017	Tsai	D3/298
D814,187	S *	4/2018	Caglar	D3/276
D848,738	S *	5/2019	Zhao	D3/294
2002/0179473	A1	12/2002	Chao	
2004/0188322	A1	9/2004	Chen	
2012/0152944	A1	6/2012	Vilkomirski et al.	
2015/0353231	A1	10/2015	Brunner	
2016/0075010	A1	3/2016	Gonzalez et al.	
2016/0194115	A1	7/2016	Stuart et al.	

* cited by examiner

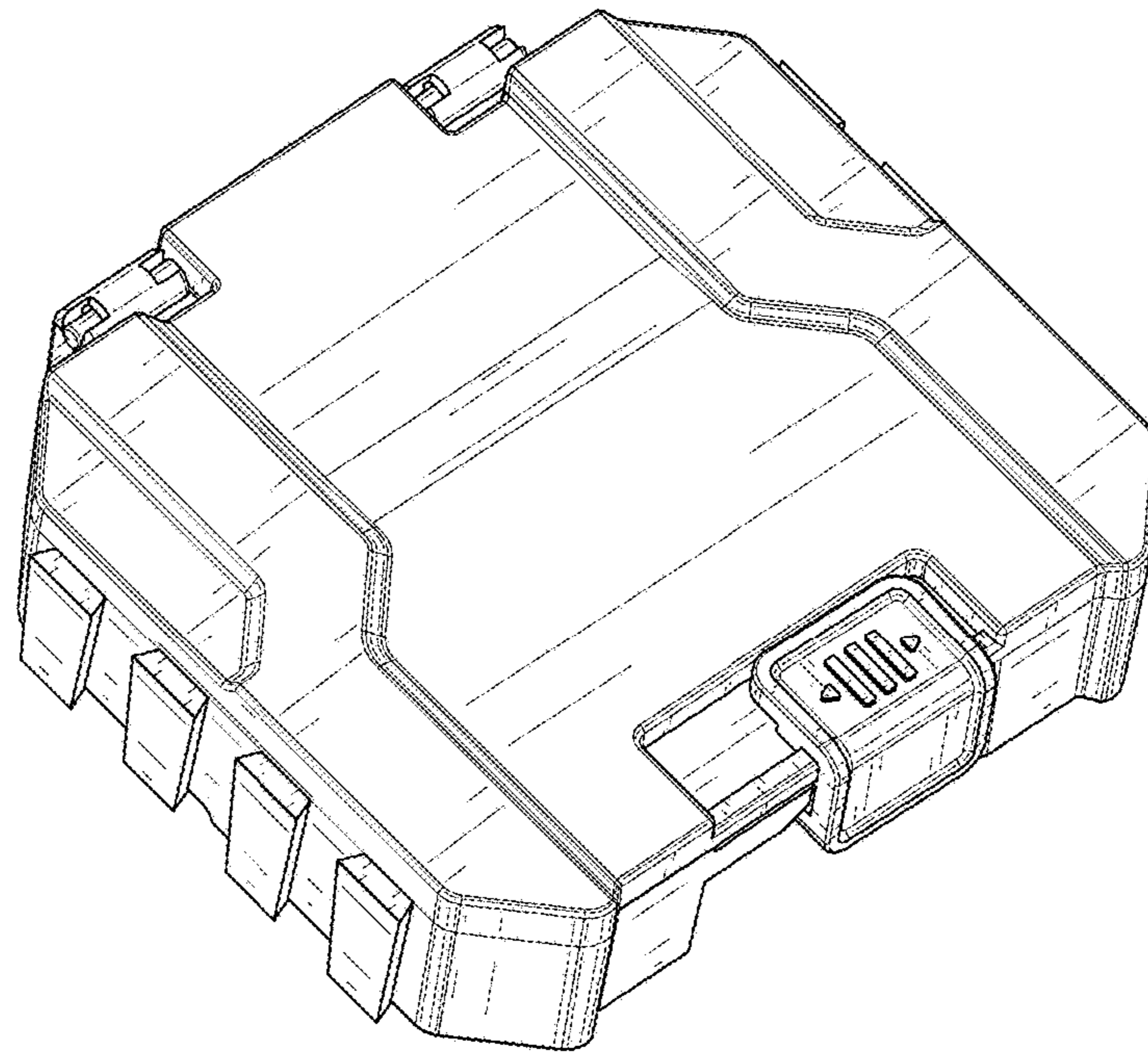


FIG. 1

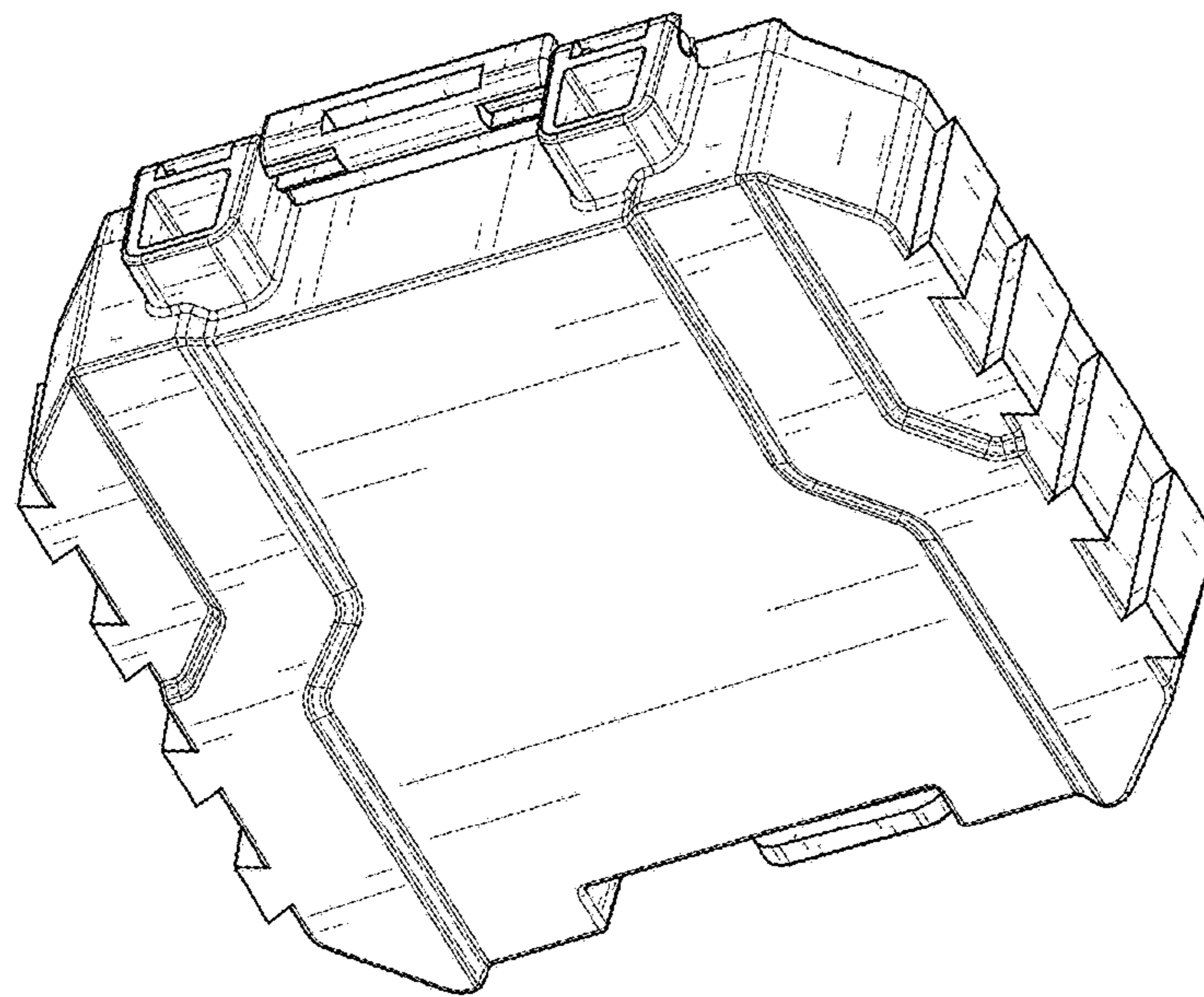


FIG. 2

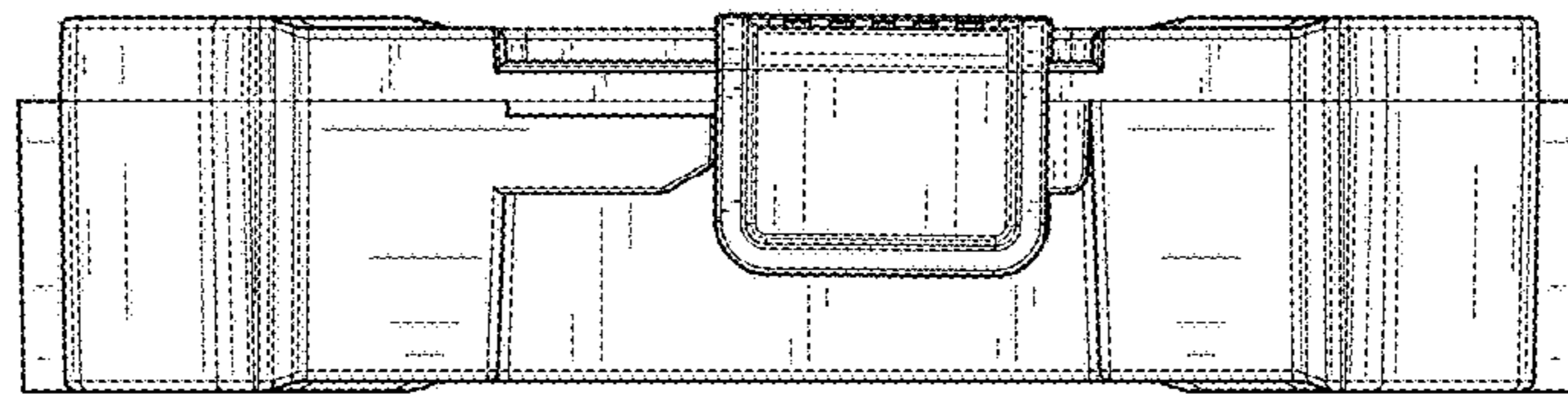


FIG. 3

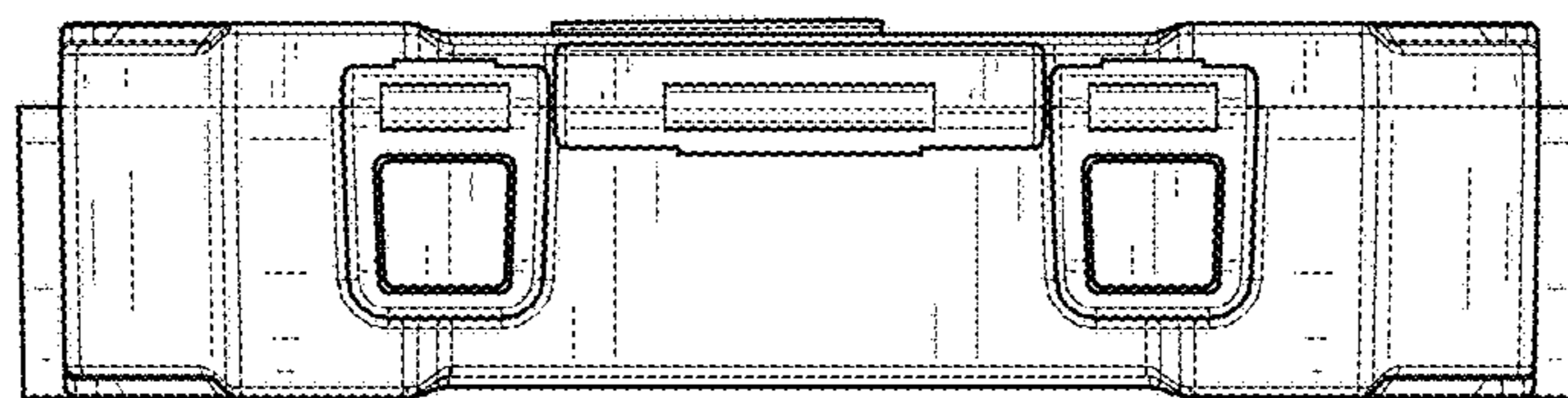


FIG. 4

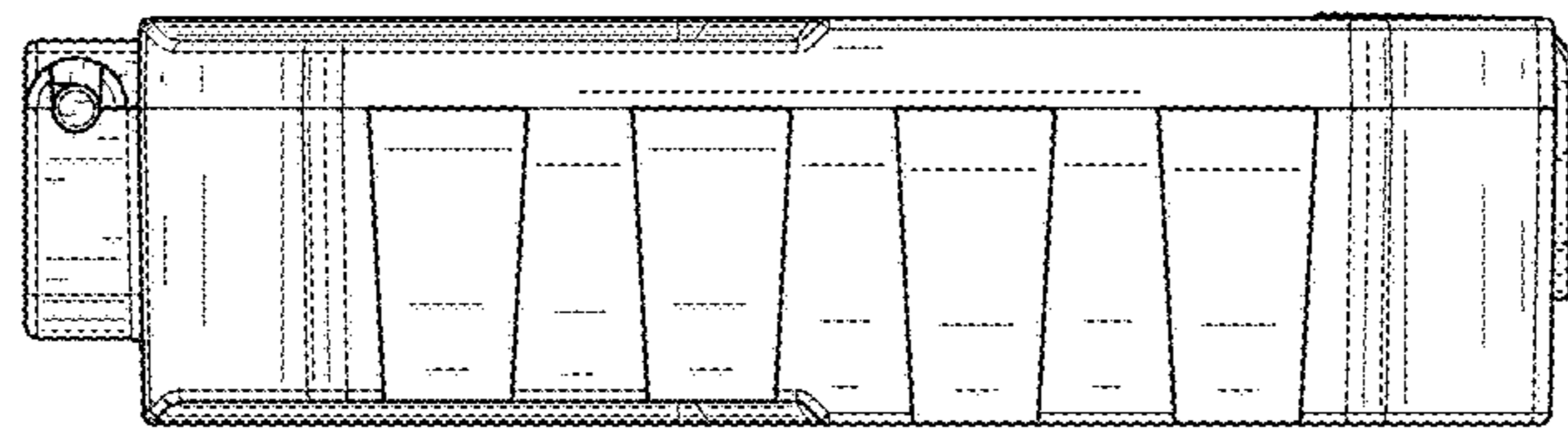


FIG. 5

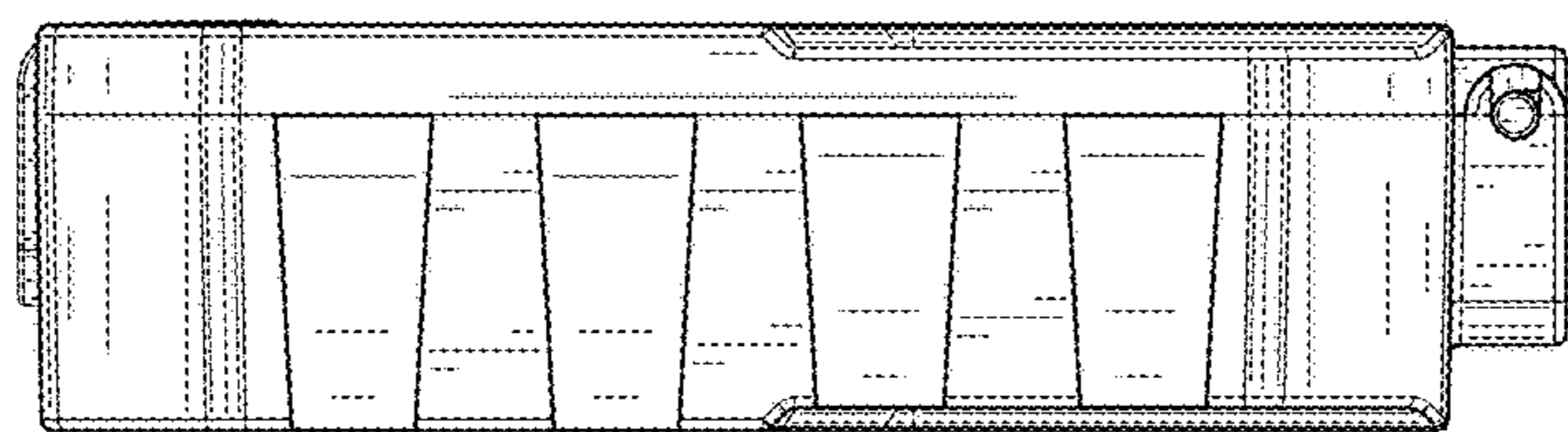


FIG. 6

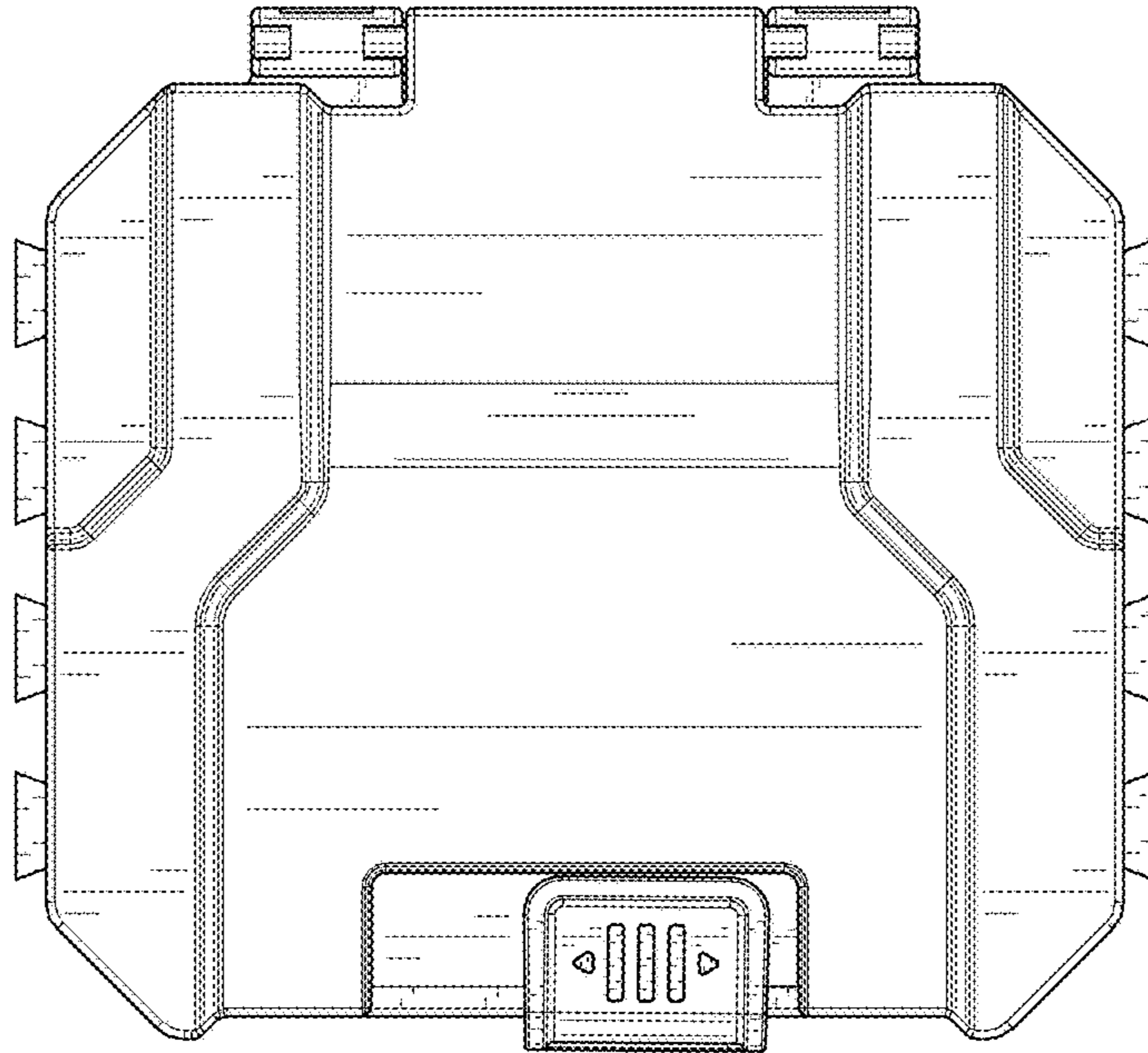


FIG. 7

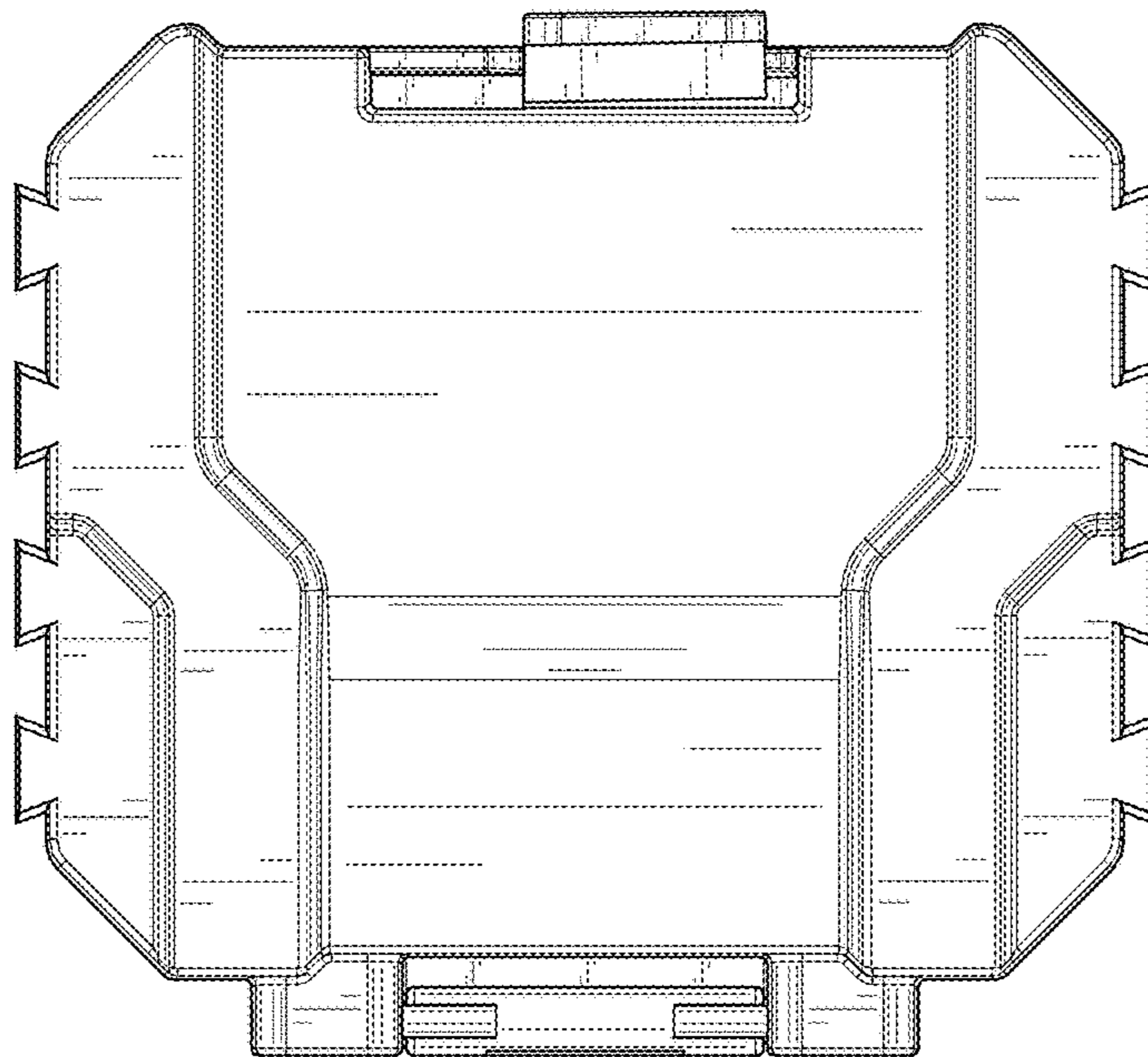


FIG. 8