



US00D873018S

(12) **United States Design Patent** (10) **Patent No.:** **US D873,018 S**
Seibert (45) **Date of Patent:** **** Jan. 21, 2020**

(54) **TOOL CONTAINER**

(71) Applicant: **BLACK & DECKER INC.**, New Britain, CT (US)

(72) Inventor: **Matthew A. Seibert**, Columbus, OH (US)

(73) Assignee: **BLACK & DECKER INC.**, New Britain, CT (US)

(**) Term: **15 Years**

(21) Appl. No.: **29/672,209**

(22) Filed: **Dec. 4, 2018**

(51) **LOC (12) Cl.** **03-01**

(52) **U.S. Cl.**
USPC **D3/294; D3/905**

(58) **Field of Classification Search**
USPC D3/273, 274, 276, 279, 281, 282, 291, D3/294, 298, 905, 302, 272, 289; D19/81, 83, 102

CPC B65D 21/0233; B65D 21/0222; B25H 3/003; B25H 3/006; B25H 3/02; H02G 3/10; H02G 3/12

See application file for complete search history.

(56) **References Cited**

U.S. PATENT DOCUMENTS

263,561 A	8/1882	Mower	
4,643,494 A	2/1987	Marleau	
4,863,222 A	9/1989	Posso	
5,570,784 A	11/1996	Sidabras et al.	
5,617,953 A	4/1997	Cope	
5,803,254 A	9/1998	Vasudeva	
5,887,715 A	3/1999	Vasudeva	
5,890,613 A	4/1999	Williams	
5,934,466 A	8/1999	Loeffler	
6,082,539 A	7/2000	Lee	
6,271,320 B1	8/2001	Keller et al.	
D448,167 S *	9/2001	Pangerc D3/273

6,349,827 B1	2/2002	Feder
6,543,613 B2	4/2003	Belanger
6,868,967 B2	3/2005	Lam
D528,793 S	9/2006	Cornwell et al.
7,219,969 B2	5/2007	Bezzubov
7,237,673 B2	7/2007	Wikle et al.
7,322,470 B2	1/2008	Brunson
D563,102 S	3/2008	Cornwell et al.
D563,670 S	3/2008	Cornwell et al.

(Continued)

FOREIGN PATENT DOCUMENTS

DE	3517308 A1	9/1985
DE	202014105326 U1	12/2014
EP	1736416 A2	12/2006

OTHER PUBLICATIONS

Home Depot, "Dewalt Maxfit Screwdriving Set (50-Piece)", First reviewed Dec. 22, 2018. (<https://www.homedepot.com/p/DEWALT-MAXFIT-Screwdriving-Set-50-Piece-DWAMF50/309321655>) (Year: 2018).*

(Continued)

Primary Examiner — April Rivas
(74) *Attorney, Agent, or Firm* — Scott B. Markow

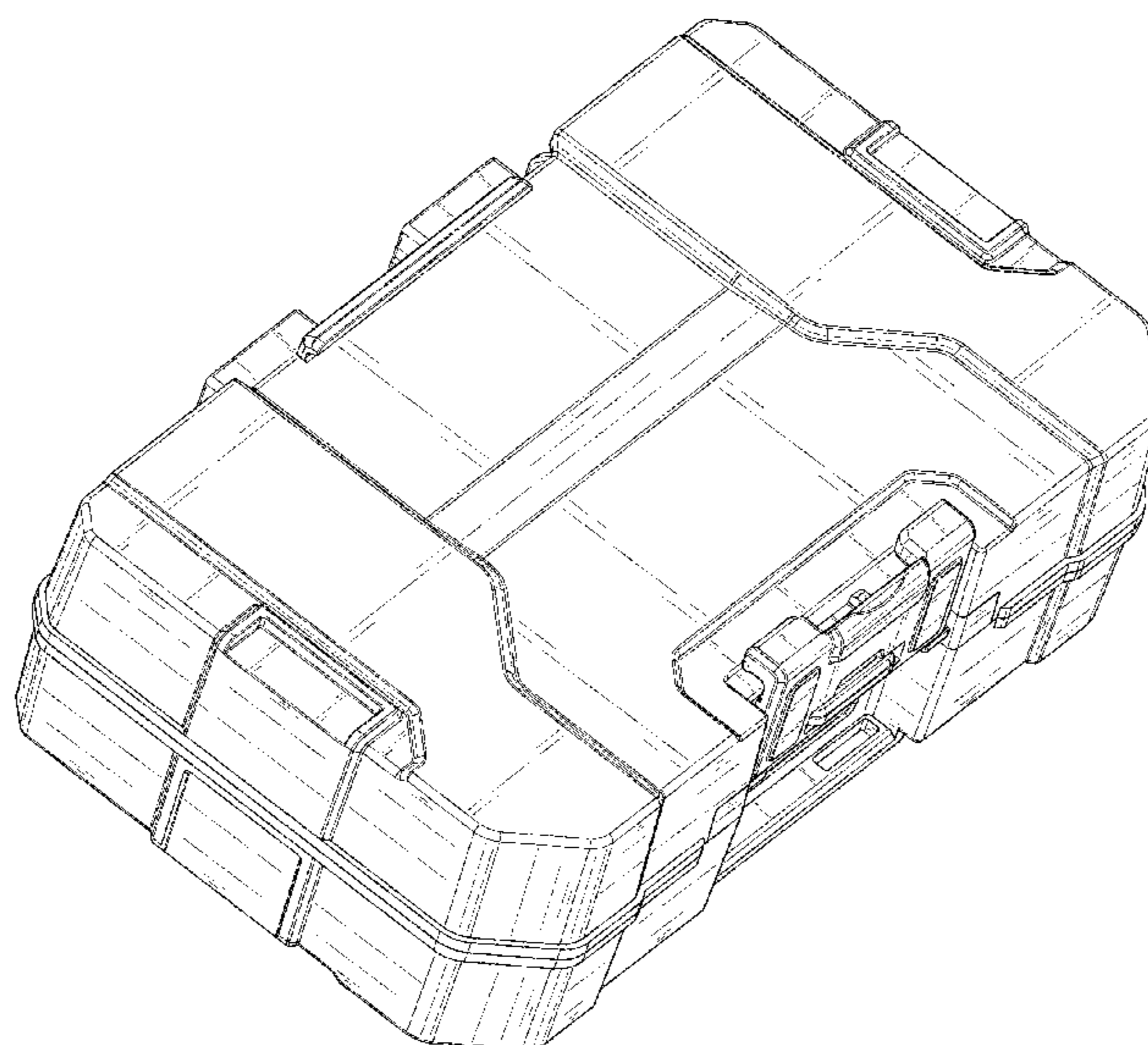
(57) **CLAIM**

The ornamental design for a tool container, as shown and described.

DESCRIPTION

FIG. 1 is a top perspective view of a tool container.
FIG. 2 is a bottom perspective view thereof.
FIG. 3 is a top plan view thereof.
FIG. 4 is a bottom plan view thereof.
FIG. 5 is a left side view thereof.
FIG. 6 is a right side view thereof.
FIG. 7 is a rear view thereof; and,
FIG. 8 is a front view thereof.

1 Claim, 8 Drawing Sheets



(56)

References Cited

U.S. PATENT DOCUMENTS

D563,671	S	3/2008	Cornwell et al.	
7,690,856	B2	4/2010	Mortensen	
D645,663	S	9/2011	Henley et al.	
D648,531	S	11/2011	Finnigan et al.	
8,322,354	B2	12/2012	Parker	
8,459,495	B2	6/2013	Koenig et al.	
8,561,679	B2	10/2013	Andochick	
8,590,704	B2	11/2013	Koenig et al.	
8,714,355	B2	5/2014	Huang	
8,875,888	B2	11/2014	Koenig et al.	
8,979,100	B2	3/2015	Bensman et al.	
D729,520	S *	5/2015	Koeniger	D3/294
9,469,024	B2	10/2016	Bensman et al.	
D773,184	S *	12/2016	Ko	D3/274
D781,584	S	3/2017	Kinsky	
D801,685	S *	11/2017	Meng	D3/294
D805,775	S *	12/2017	Tsai	D3/298
D858,103	S *	9/2019	Seibert	D3/294
2002/0179473	A1	12/2002	Chao	
2004/0188322	A1	9/2004	Chen	
2012/0152944	A1	6/2012	Vilkomirski et al.	
2015/0353231	A1	10/2015	Brunner	
2016/0075010	A1	3/2016	Gonzalez et al.	
2016/0194115	A1	7/2016	Stuart et al.	

OTHER PUBLICATIONS

Home Depot, "Milwaukee Black Oxide Step Drill Bit Set (10-Piece)", First reviewed Dec. 5, 2013. (<https://www.homedepot.com/p/Milwaukee-Black-Oxide-Step-Drill-Bit-Set-10-Piece-48-89-9222/204312649>) (Year: 2013).*

* cited by examiner

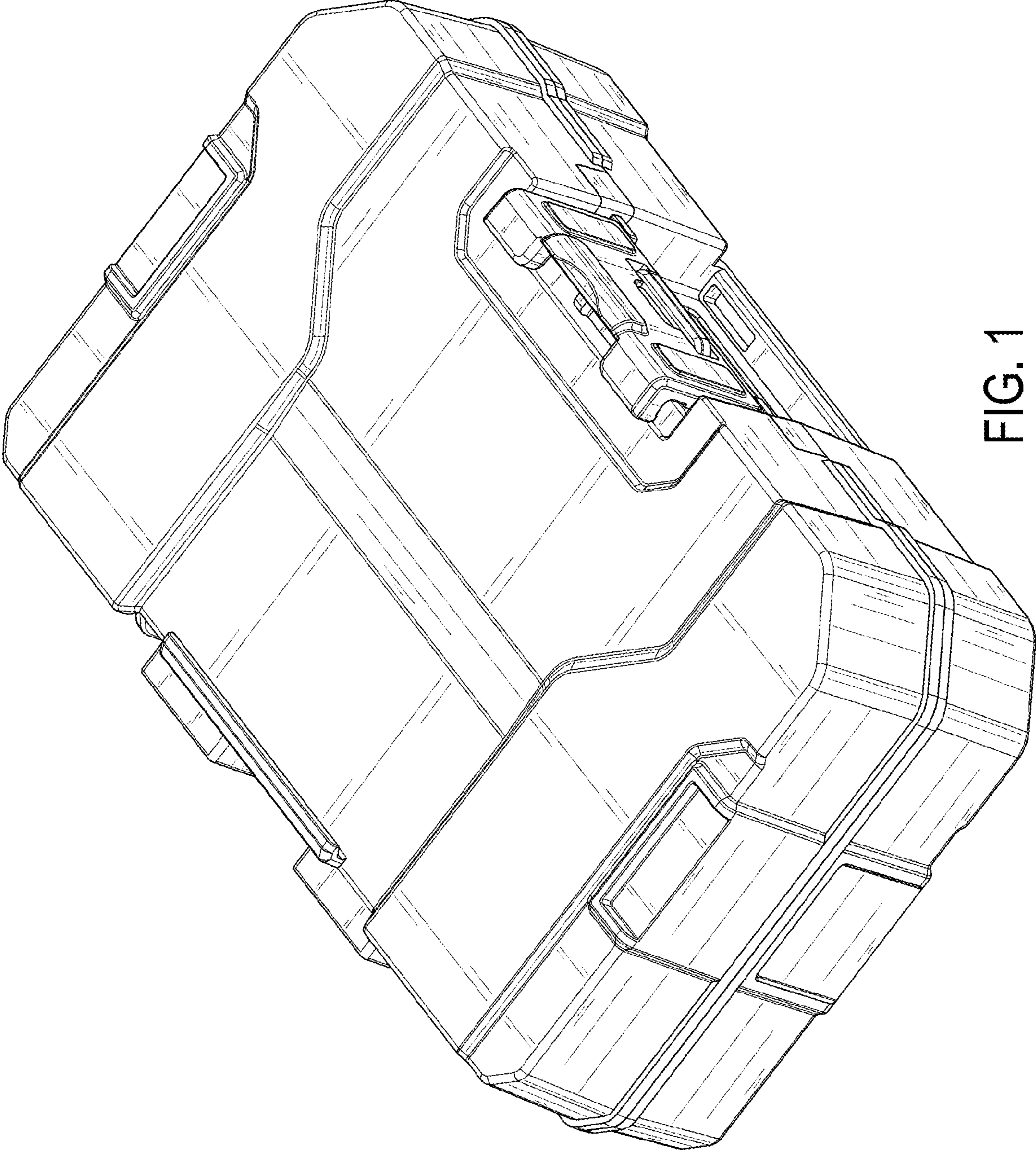


FIG. 1

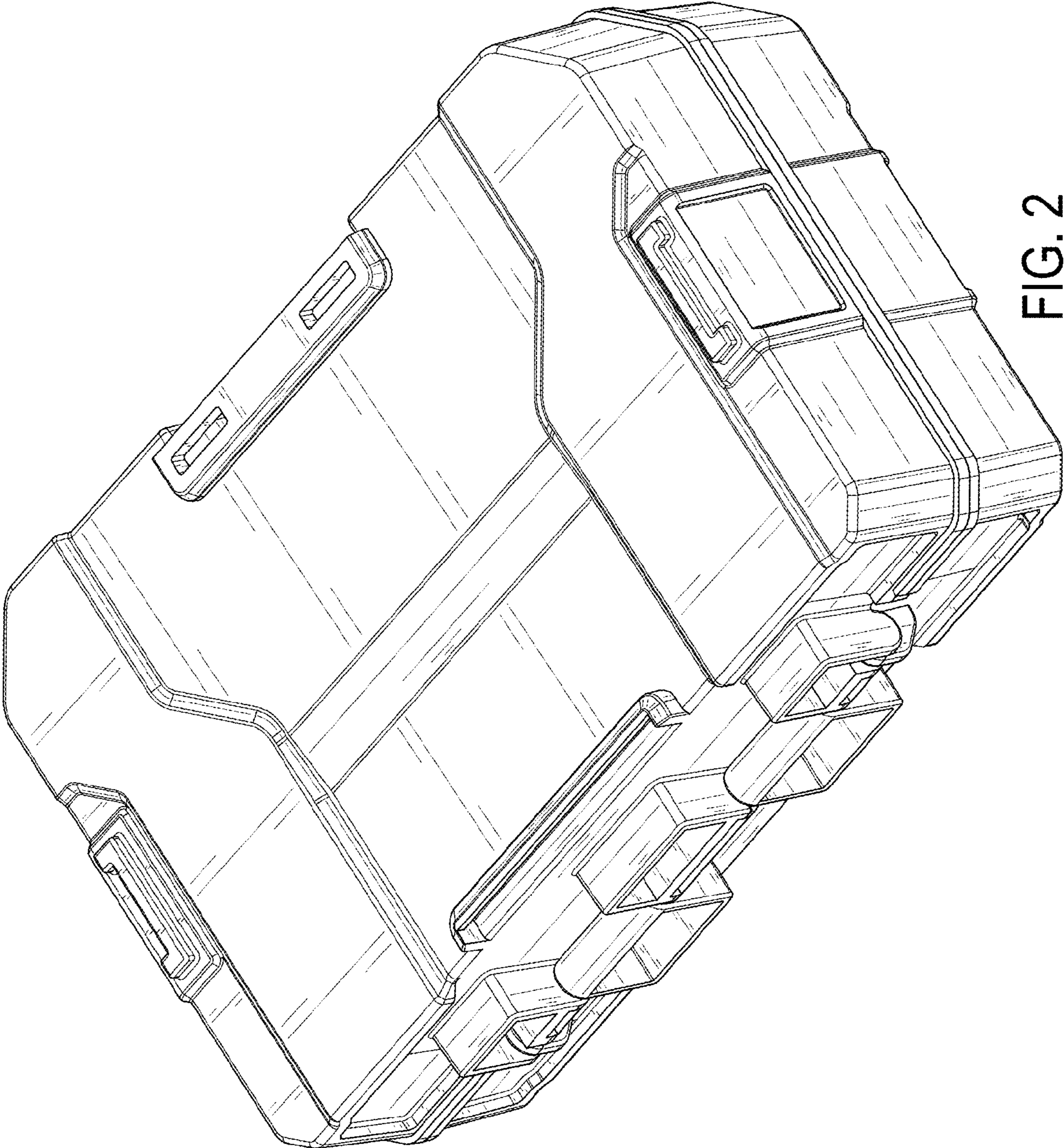


FIG. 2

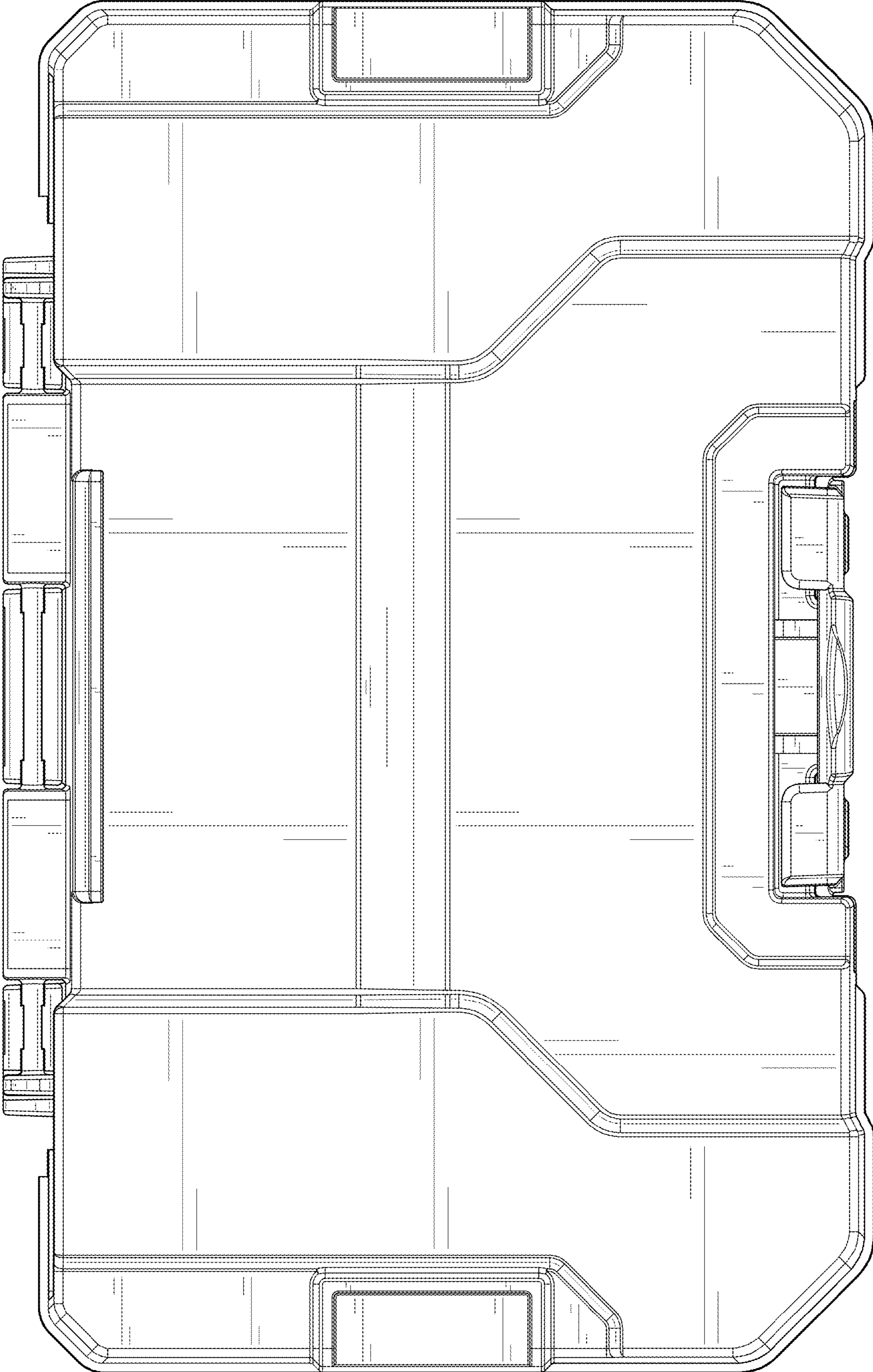


FIG. 3

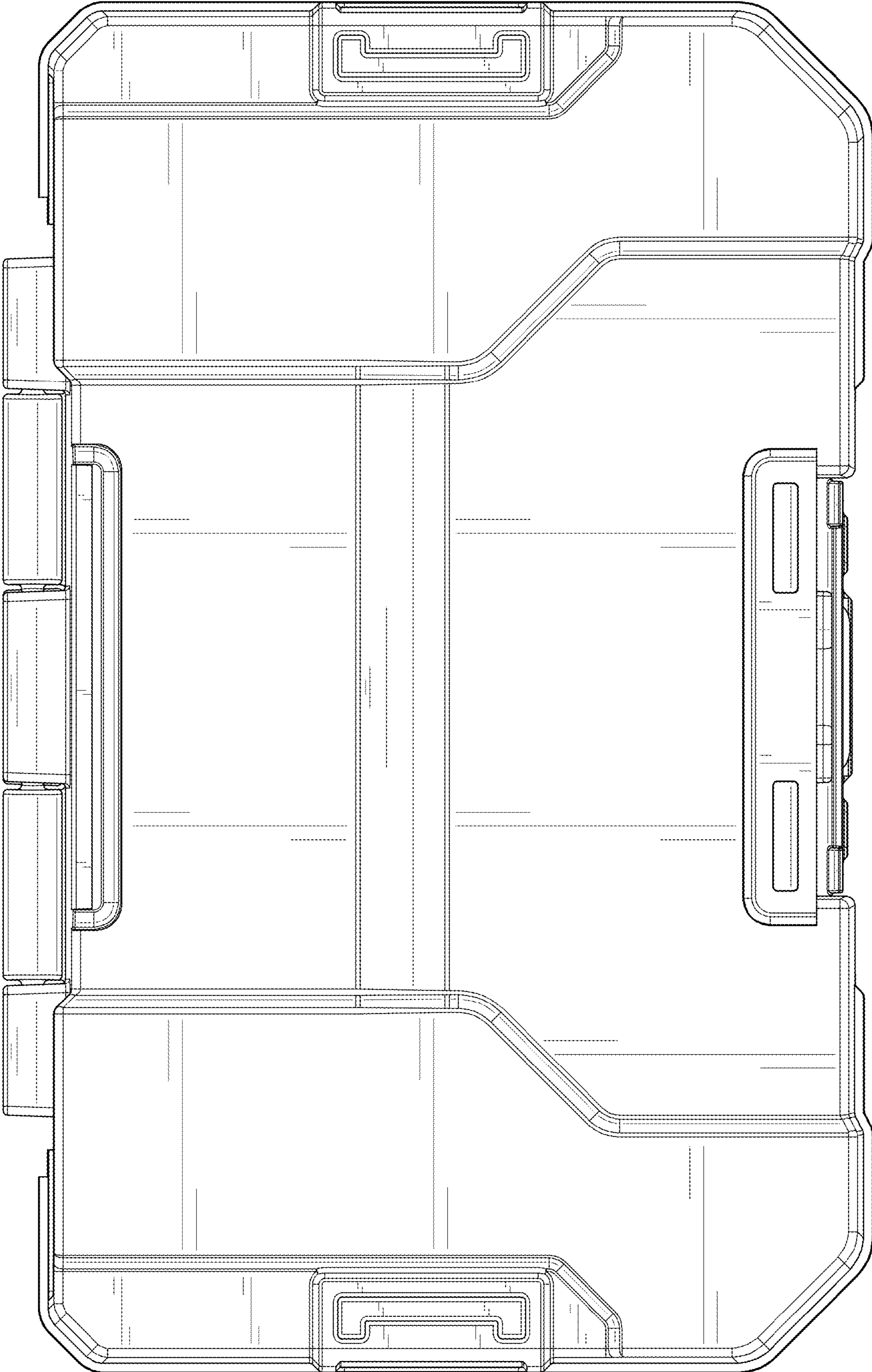


FIG. 4

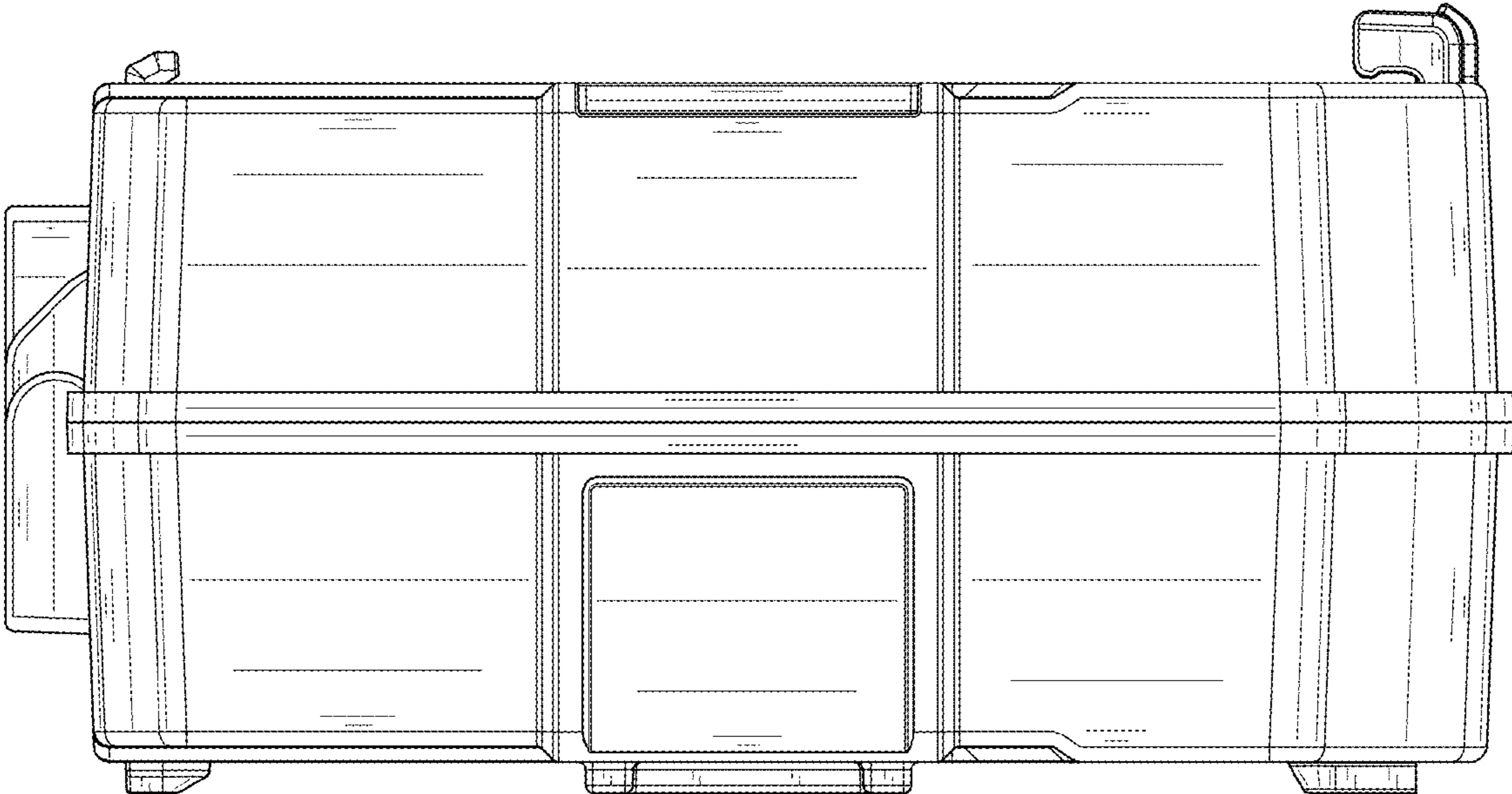


FIG. 5

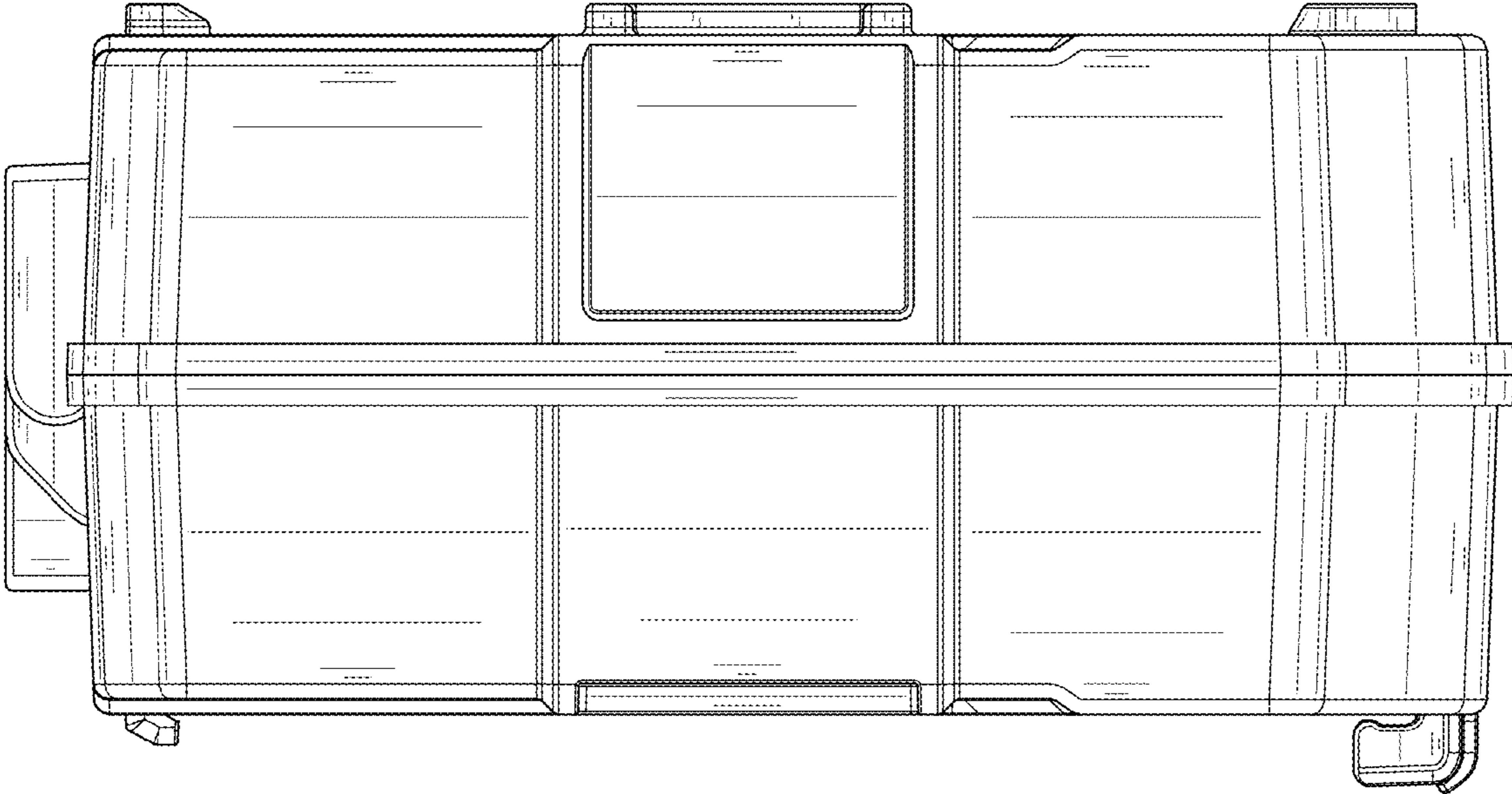


FIG. 6

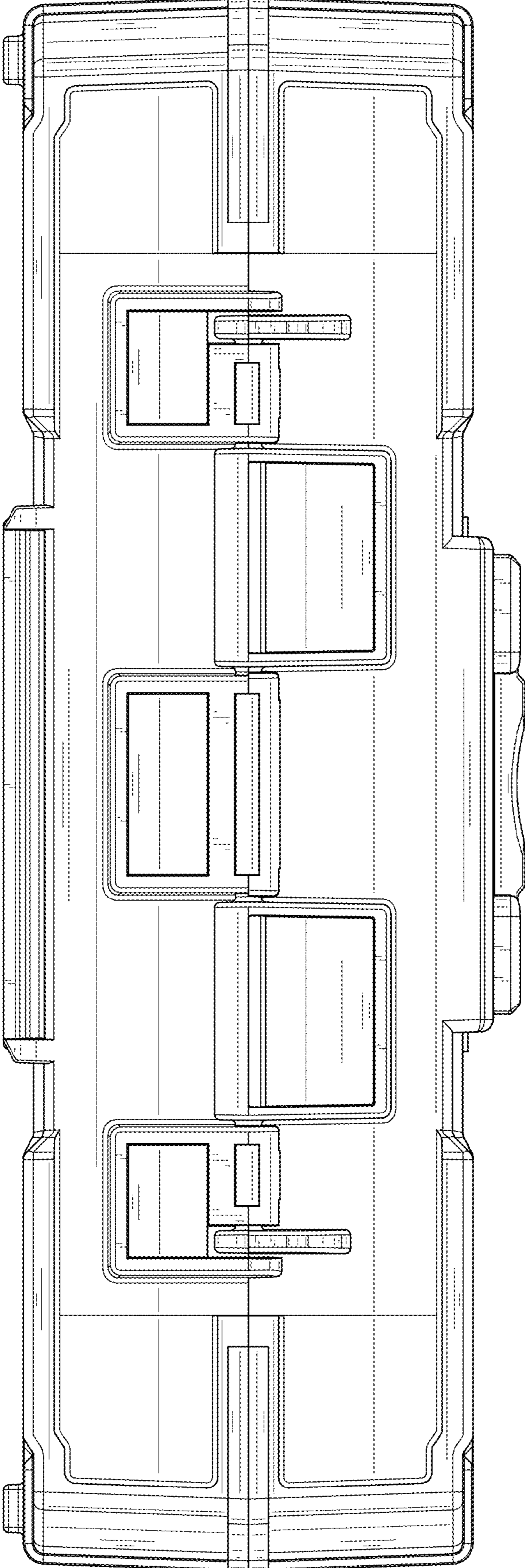


FIG. 7

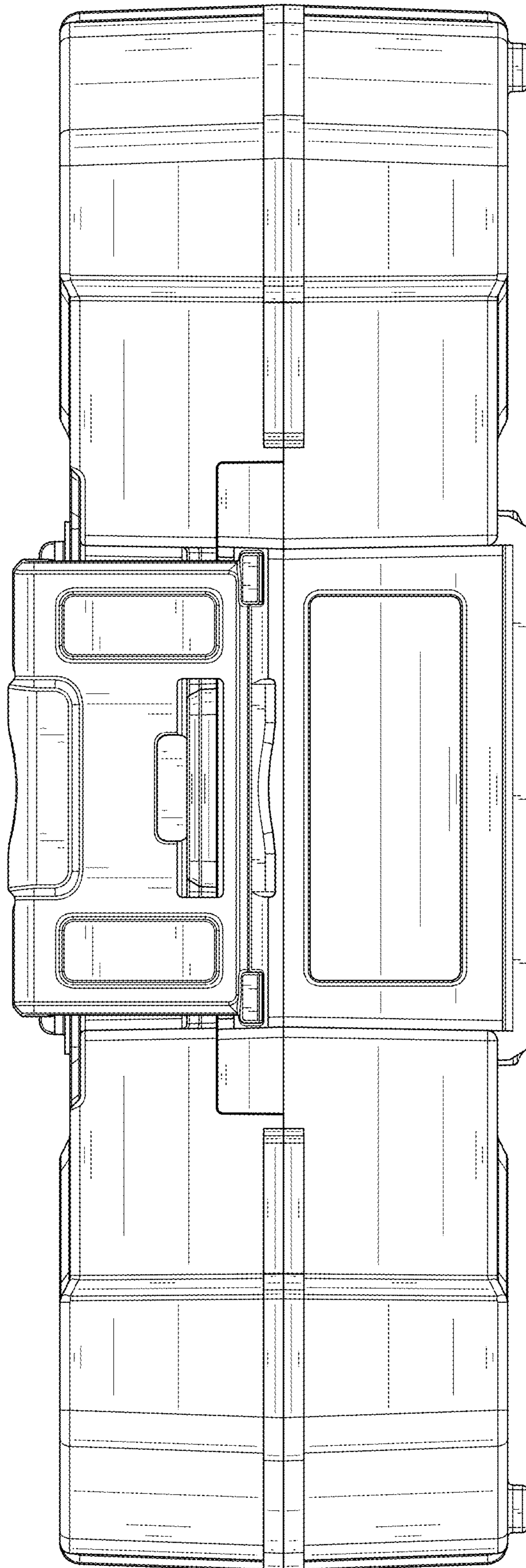


FIG. 8