

US00D873017S

(12) **United States Design Patent** (10) **Patent No.:** **US D873,017 S**
Seibert et al. (45) **Date of Patent:** **** Jan. 21, 2020**

- (54) **TOOL CONTAINER**
- (71) Applicant: **BLACK & DECKER INC.**, New Britain, CT (US)
- (72) Inventors: **Matthew A. Seibert**, Columbus, OH (US); **Marco Lourenco**, Baltimore, MD (US)
- (73) Assignee: **BLACK & DECKER INC.**, New Britain, CT (US)
- (**) Term: **15 Years**
- (21) Appl. No.: **29/672,206**
- (22) Filed: **Dec. 4, 2018**
- (51) **LOC (12) Cl.** **03-01**
- (52) **U.S. Cl.**
USPC **D3/294; D3/289; D3/905**
- (58) **Field of Classification Search**
USPC **D3/273, 274, 276, 279, 281, 282, 291, D3/294, 298, 905, 302, 272, 289**
CPC **B65D 21/0233; B65D 21/0222; B25H 3/003; B25H 3/006; B25H 3/02; H02G 3/10; H02G 3/12**
See application file for complete search history.

6,349,827	B1	2/2002	Feder	
6,543,613	B2	4/2003	Belanger	
D477,913	S *	8/2003	Fang	D3/282
6,868,967	B2	3/2005	Lam	
D523,635	S *	6/2006	Chen	D3/282
D528,793	S	9/2006	Cornwell et al.	
7,219,969	B2	5/2007	Bezzubov	
7,237,673	B2	7/2007	Wikle et al.	
7,322,470	B2	1/2008	Brunson	
D563,102	S	3/2008	Cornwell et al.	
D563,670	S	3/2008	Cornwell et al.	
D563,671	S	3/2008	Cornwell et al.	
D568,607	S *	5/2008	Hsu	D3/282
7,690,856	B2	4/2010	Mortensen	
D620,255	S *	7/2010	Chang	D3/282
D639,058	S *	6/2011	Chiu	D3/282
D645,663	S	9/2011	Henley et al.	
D648,531	S	11/2011	Finnigan et al.	

(Continued)

FOREIGN PATENT DOCUMENTS

DE	3517308	A1	9/1985
DE	202014105326	U1	12/2014
EP	1736416	A2	12/2006

Primary Examiner — April Rivas

(74) *Attorney, Agent, or Firm* — Scott B. Markow

(57) **CLAIM**

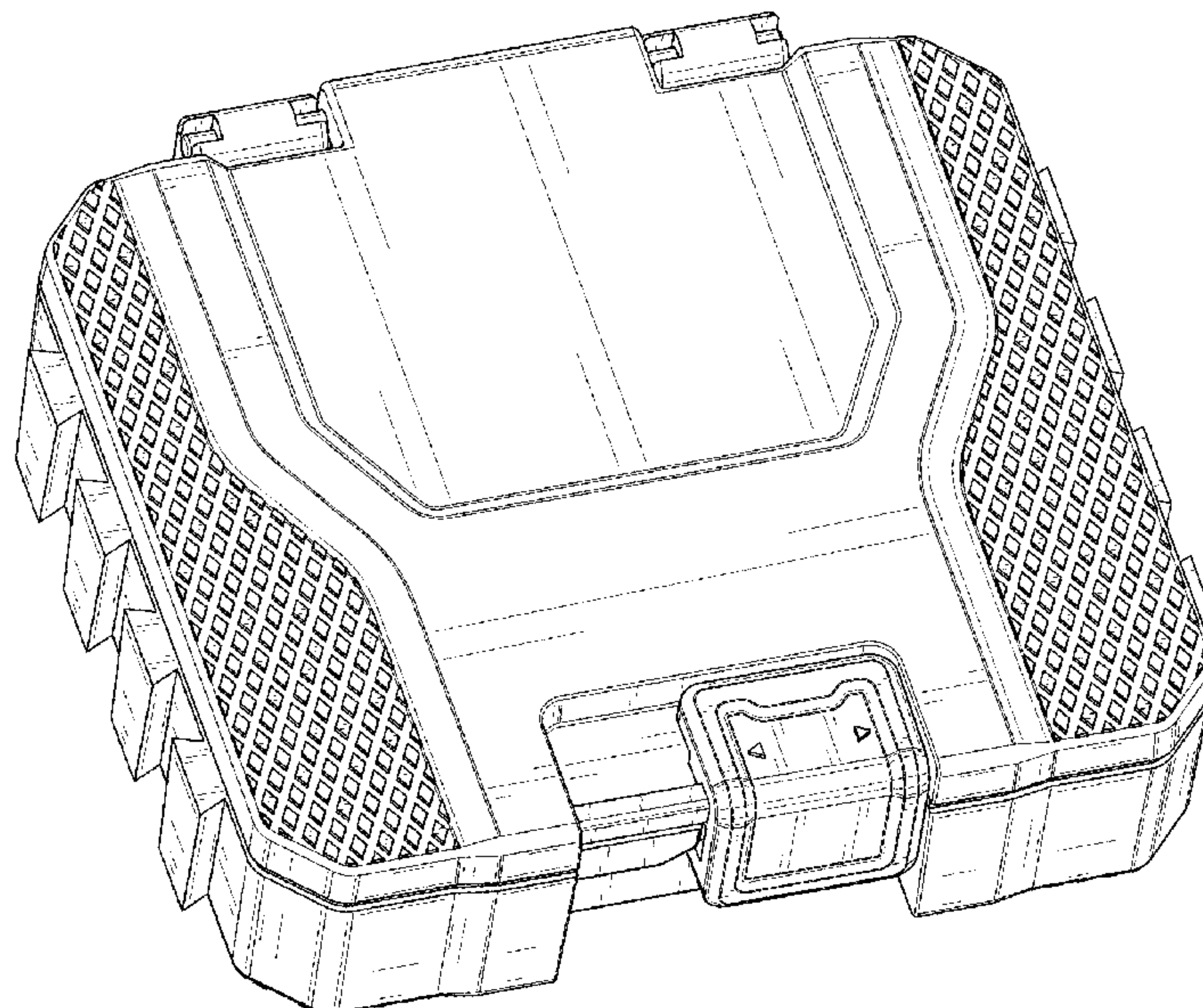
The ornamental design for a tool container, as shown and described.

DESCRIPTION

FIG. 1 is a top perspective view of the tool container.
 FIG. 2 is a bottom perspective view thereof.
 FIG. 3 is a top plan view thereof.
 FIG. 4 is a bottom plan view thereof.
 FIG. 5 is a left side view thereof.
 FIG. 6 is a right side view thereof.
 FIG. 7 is a rear view thereof; and,
 FIG. 8 is a front view thereof.

1 Claim, 8 Drawing Sheets

- (56) **References Cited**
- U.S. PATENT DOCUMENTS
- | | | | |
|-----------|----|---------|-----------------|
| 263,561 | A | 8/1882 | Mower |
| 4,643,494 | A | 2/1987 | Marleau |
| 4,863,222 | A | 9/1989 | Posso |
| 5,570,784 | A | 11/1996 | Sidabras et al. |
| 5,617,953 | A | 4/1997 | Cope |
| 5,803,254 | A | 9/1998 | Vasudeva |
| 5,887,715 | A | 3/1999 | Vasudeva |
| 5,890,613 | A | 4/1999 | Williams |
| 5,934,466 | A | 8/1999 | Loeffler |
| 6,082,539 | A | 7/2000 | Lee |
| 6,271,320 | B1 | 8/2001 | Keller et al. |



(56)

References Cited

U.S. PATENT DOCUMENTS

8,322,354	B2	12/2012	Parker	
8,459,495	B2	6/2013	Koenig et al.	
8,561,679	B2	10/2013	Andochick	
8,590,704	B2	11/2013	Koenig et al.	
8,714,355	B2	5/2014	Huang	
8,875,888	B2	11/2014	Koenig et al.	
8,979,100	B2	3/2015	Bensman et al.	
9,469,024	B2	10/2016	Bensman et al.	
D781,584	S	3/2017	Kinsky	
D799,822	S *	10/2017	Kanda	D3/276
D805,775	S *	12/2017	Tsai	D3/298
D858,103	S *	9/2019	Seibert	D3/294
2002/0179473	A1	12/2002	Chao	
2004/0188322	A1	9/2004	Chen	
2012/0152944	A1	6/2012	Vilkomirski et al.	
2013/0128560	A1 *	5/2013	Werner	B25H 3/02 362/154
2015/0136763	A1 *	5/2015	Chou	B25H 3/02 220/4.21
2015/0353231	A1	10/2015	Brunner	
2016/0075010	A1	3/2016	Gonzalez et al.	
2016/0194115	A1	7/2016	Stuart et al.	

* cited by examiner

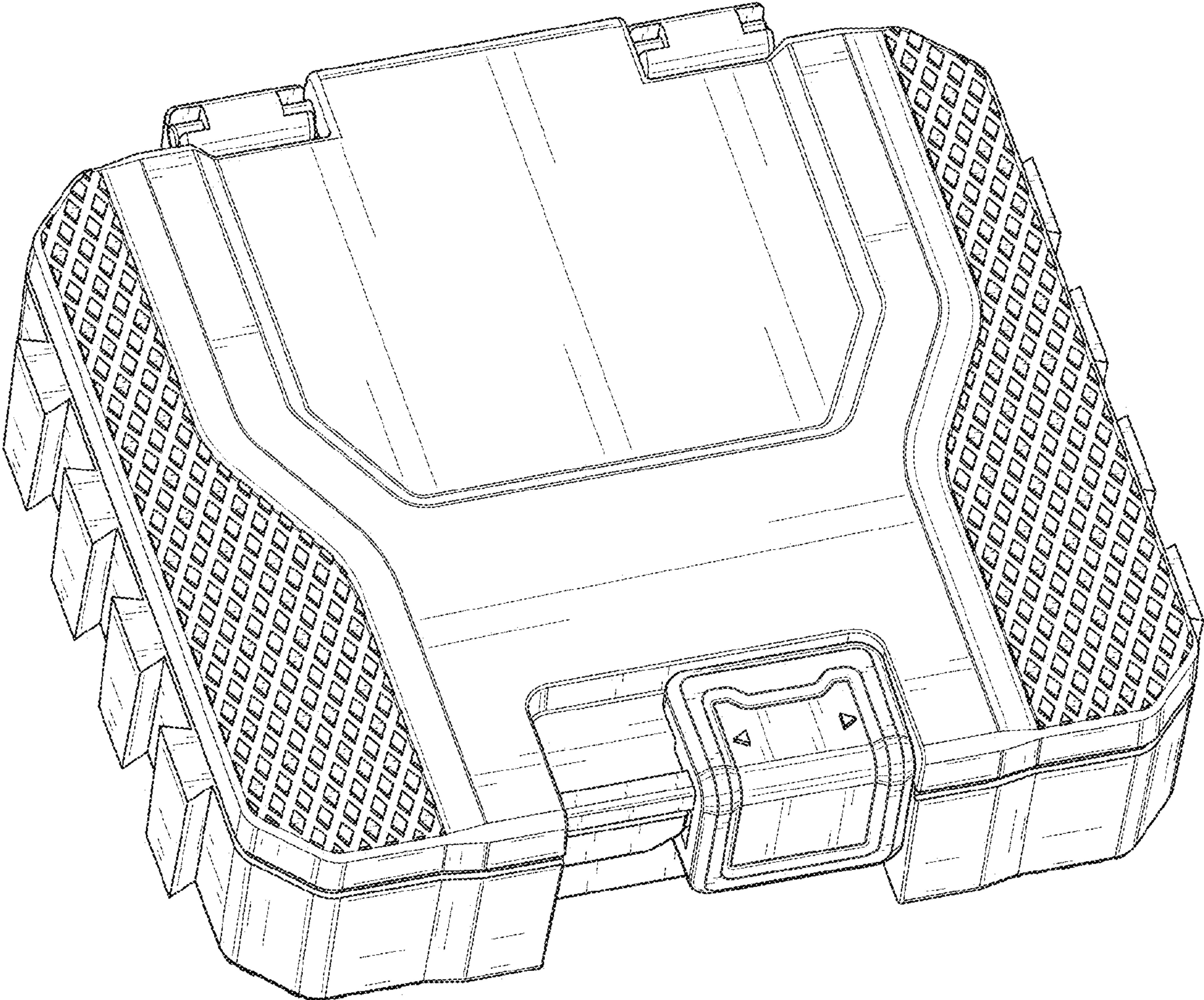


FIG. 1

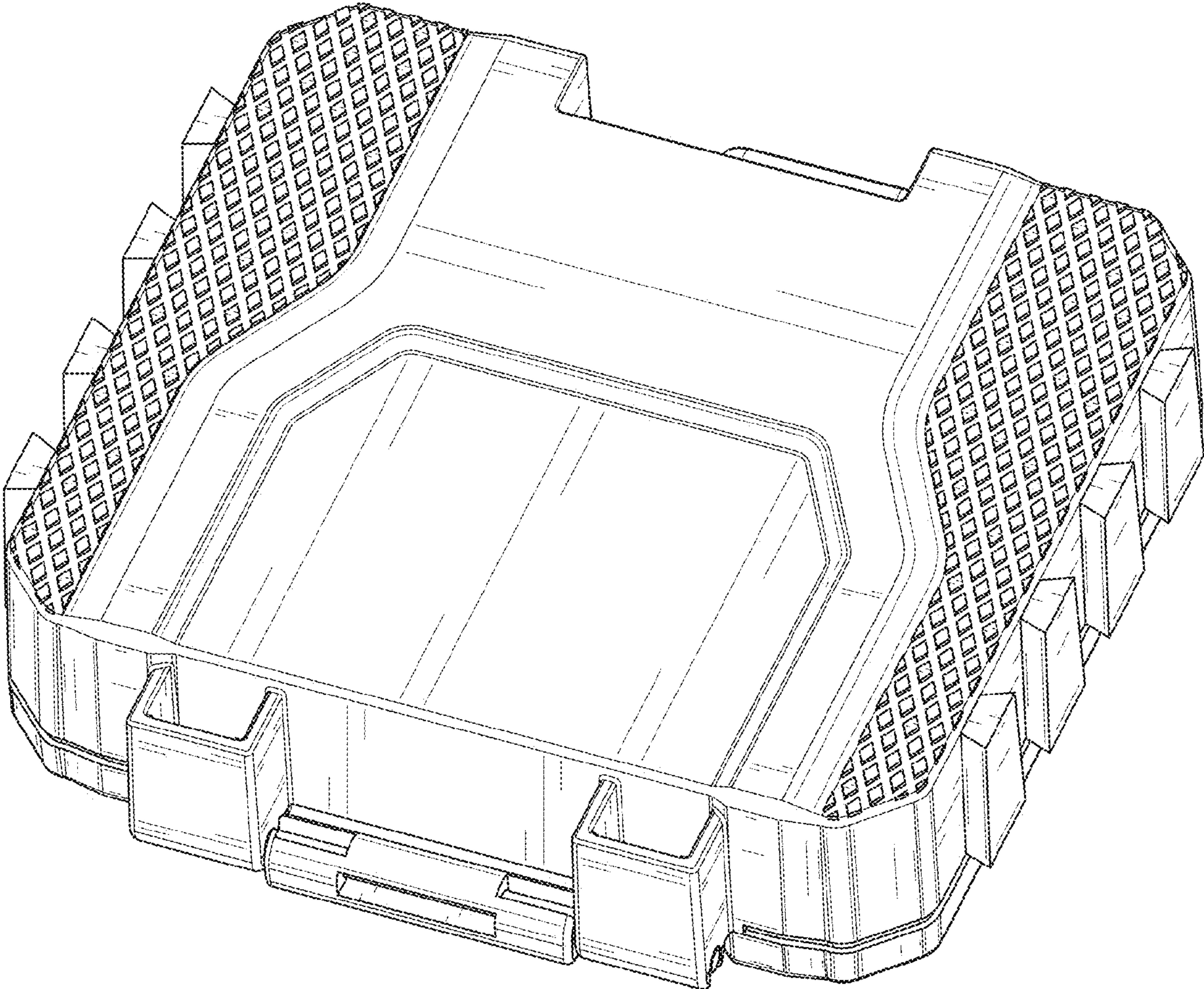


FIG. 2

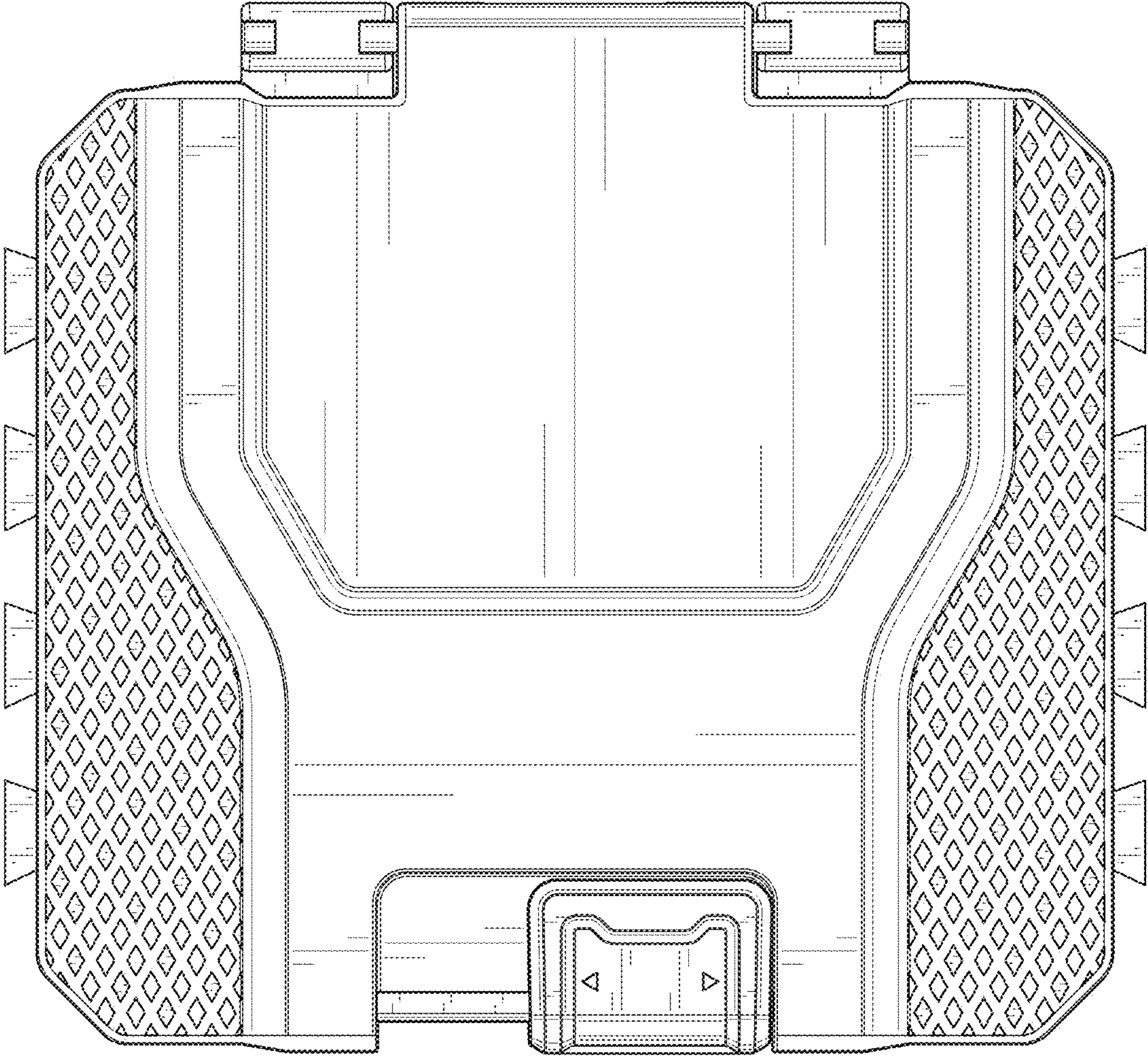


FIG. 3

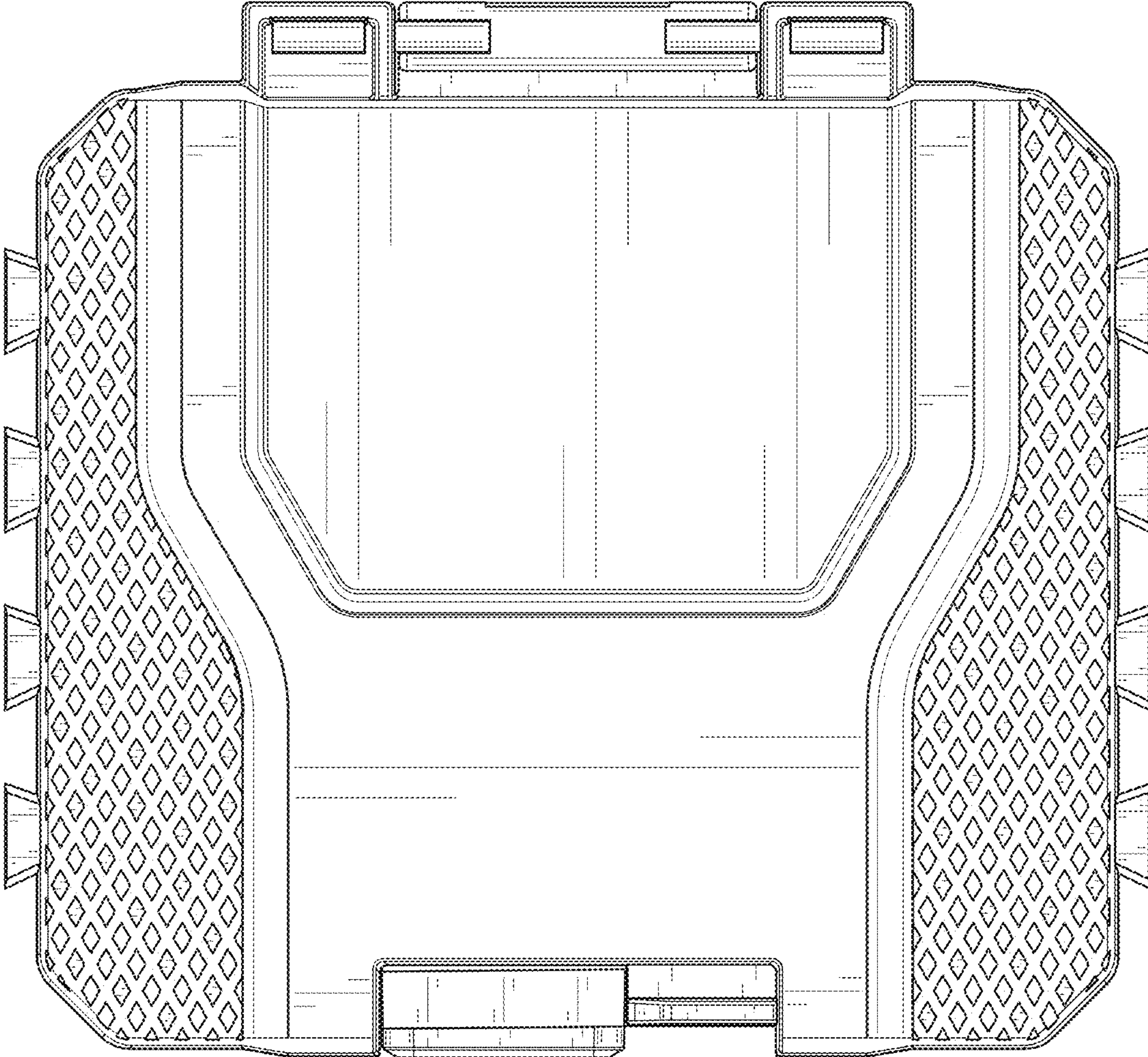


FIG. 4

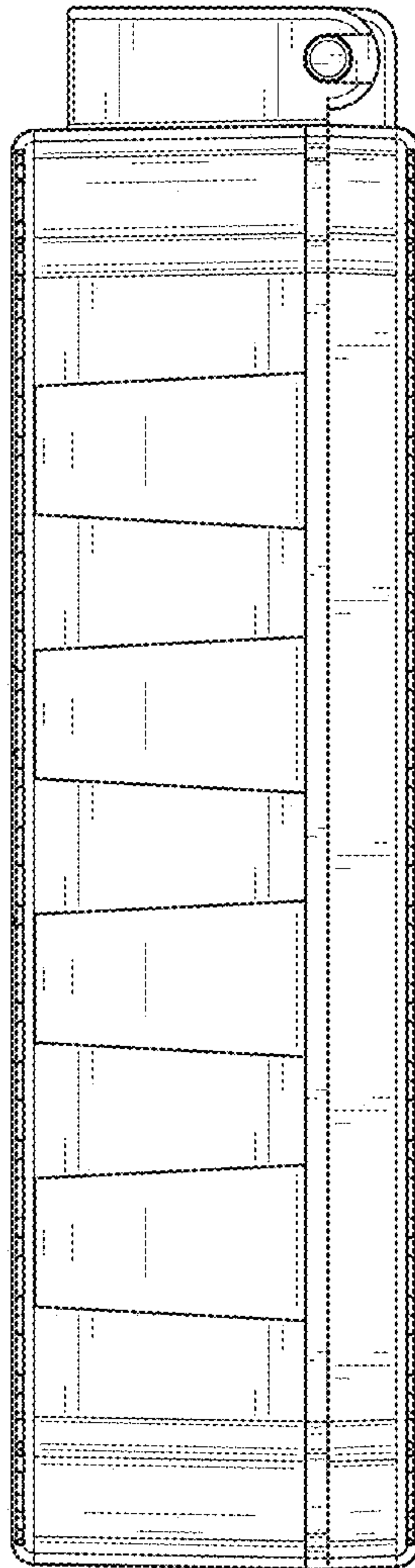


FIG. 5

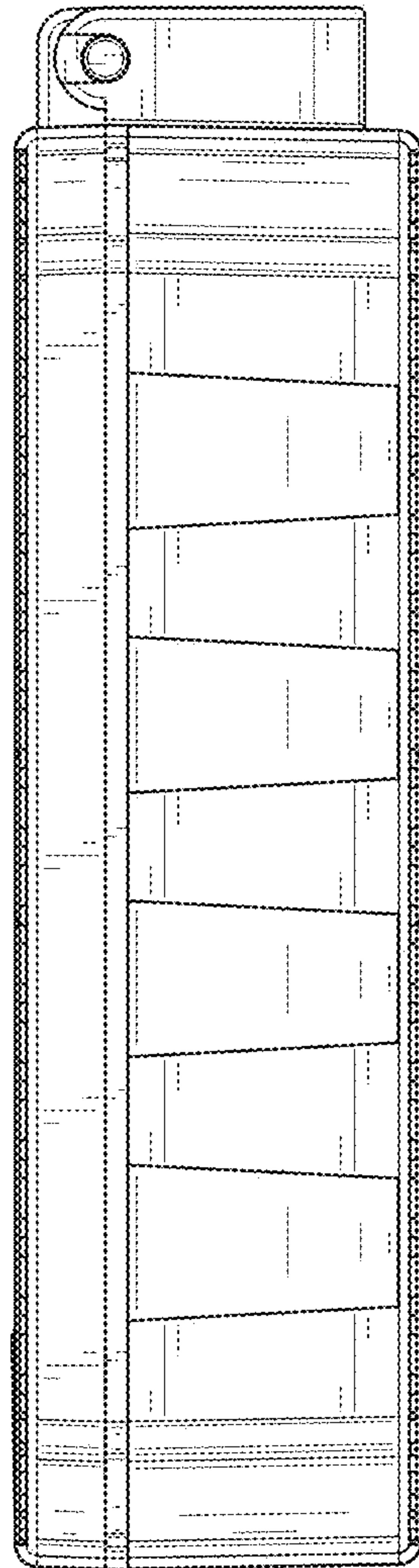


FIG. 6

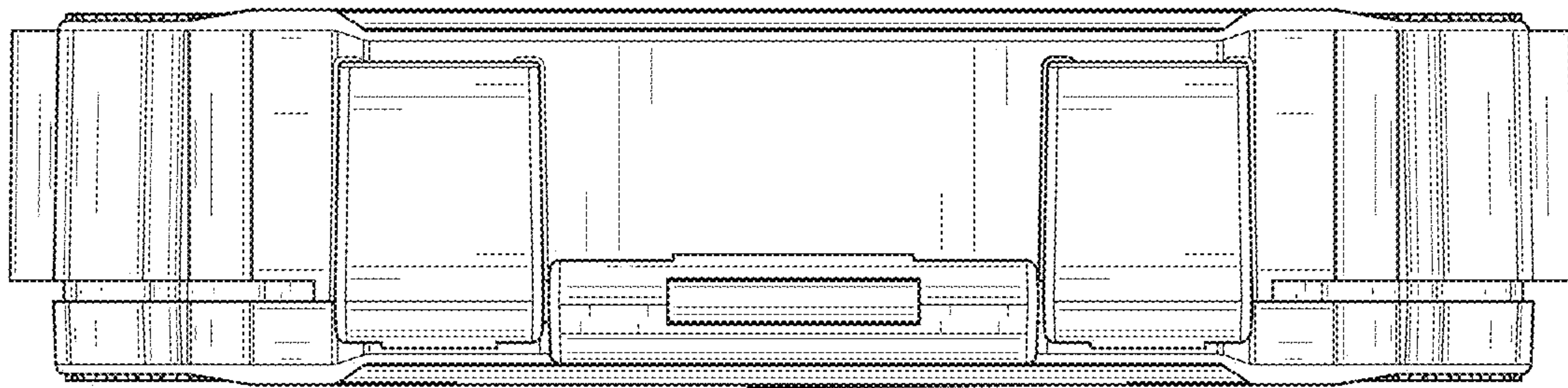


FIG. 7

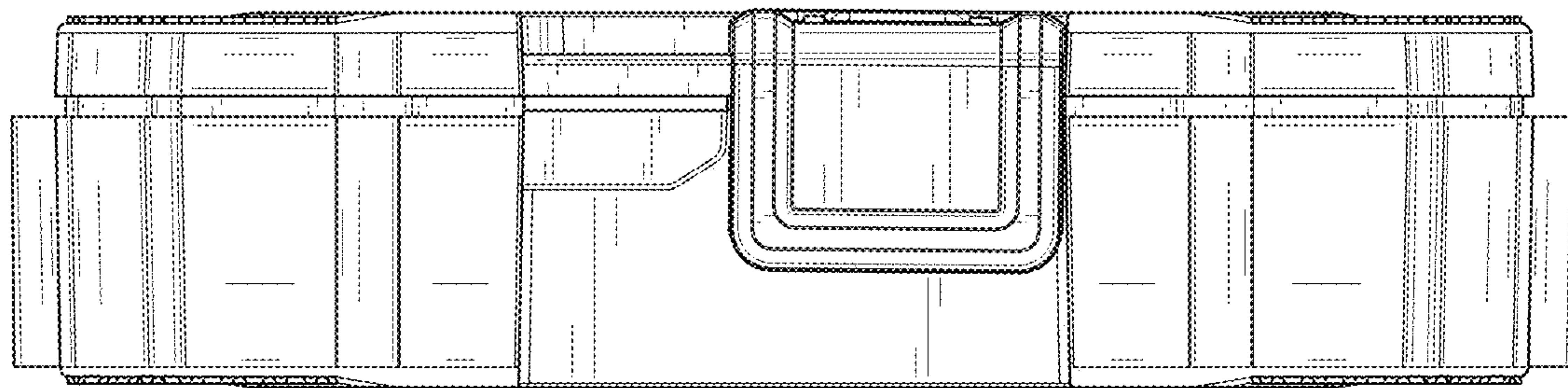


FIG. 8