



US00D873012S

(12) **United States Design Patent**  
**Austin**

(10) **Patent No.:** **US D873,012 S**  
(45) **Date of Patent:** **\*\* Jan. 21, 2020**

- (54) **TOOL CONTAINER**
- (71) Applicant: **BLACK & DECKER INC.**, New Britain, CT (US)
- (72) Inventor: **Lauren M. Austin**, Owings Mills, MD (US)
- (73) Assignee: **BLACK & DECKER INC.**, New Britain, CT (US)

- D478,209 S \* 8/2003 Chen ..... D3/282
- 6,868,967 B2 3/2005 Lam
- D528,793 S 9/2006 Cornwell et al.
- 7,219,969 B2 5/2007 Bezzubov
- 7,237,673 B2 7/2007 Wikle et al.
- 7,322,470 B2 1/2008 Brunson
- D563,102 S 3/2008 Cornwell et al.
- D563,670 S 3/2008 Cornwell et al.
- D563,671 S 3/2008 Cornwell et al.
- D601,797 S \* 10/2009 Wenchel ..... D3/294

(Continued)

(\*\*) Term: **15 Years**

**FOREIGN PATENT DOCUMENTS**

(21) Appl. No.: **29/672,214**

- DE 3517308 A1 9/1985
- DE 202014105326 U1 12/2014
- EP 1736416 A2 12/2006

(22) Filed: **Dec. 4, 2018**

(51) **LOC (12) Cl.** ..... **03-01**  
(52) **U.S. Cl.**

**OTHER PUBLICATIONS**

USPC ..... **D3/282**; D3/294; D3/905

ScrewFix, "DeWalt Hex Shank Combination Screwdriver, Drill & Holesaw Bit Set 100 Pieces", First review Feb. 23, 2017. (<https://www.screwfix.com/p/dewalt-hex-shank-combination-screwdriver-drill-holesaw-bit-set-100-pieces/1293p>) (Year: 2017).\*

(58) **Field of Classification Search**  
USPC ..... D3/273, 274, 276, 279, 281, 282, 291, D3/294, 298, 905, 302, 272, 289; D19/81, 83, 102  
CPC ..... B65D 21/0233; B65D 21/0222; B25H 3/003; B25H 3/006; B25H 3/02; B25H 3/023; H02G 3/10; H02G 3/12  
See application file for complete search history.

*Primary Examiner* — April Rivas  
(74) *Attorney, Agent, or Firm* — Scott B. Markow

(56) **References Cited**

(57) **CLAIM**

The ornamental design for a tool container, as shown and described.

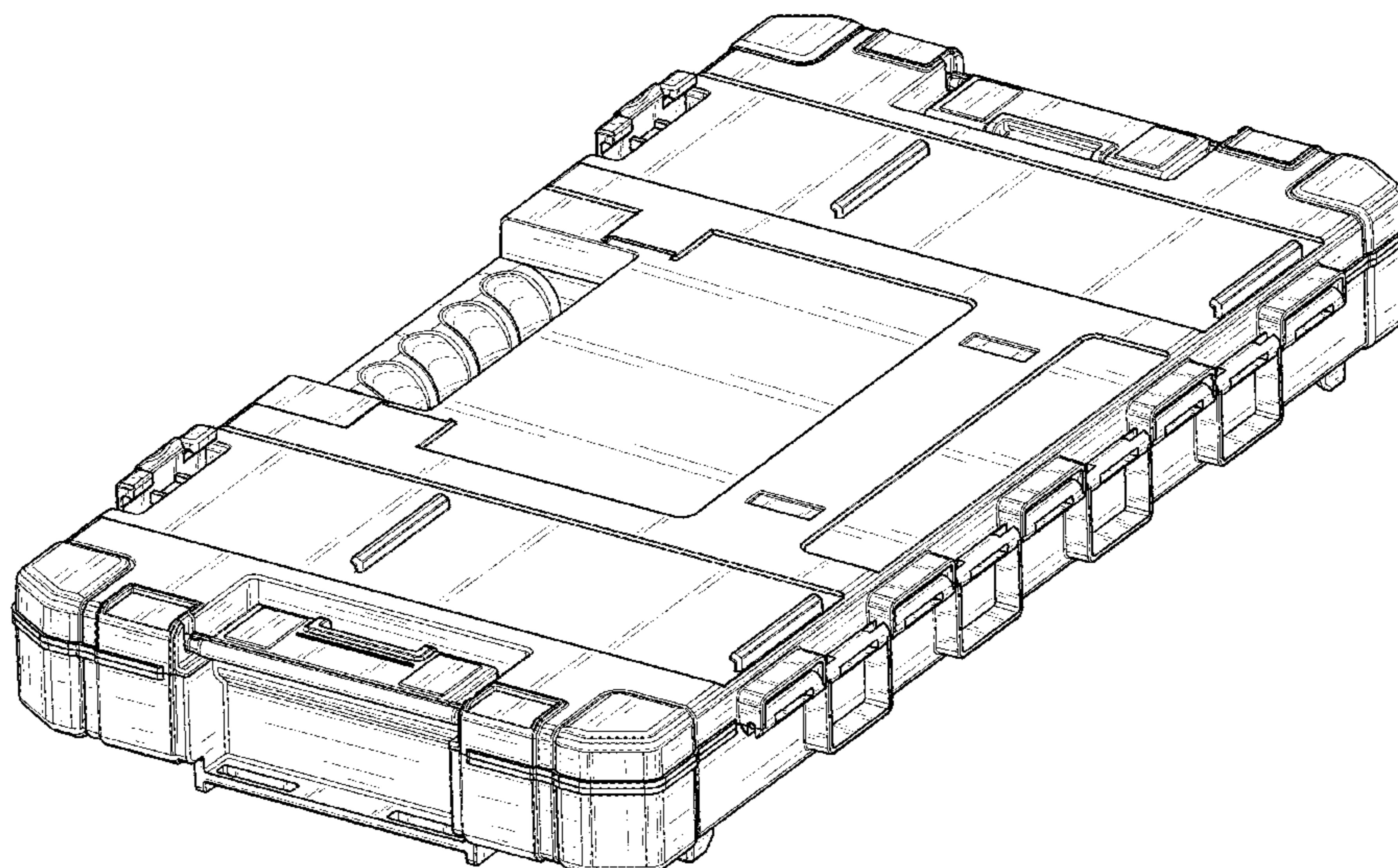
**U.S. PATENT DOCUMENTS**

**DESCRIPTION**

- 263,561 A 8/1882 Mower
- 4,643,494 A 2/1987 Marleau
- 4,863,222 A 9/1989 Posso
- 5,570,784 A 11/1996 Sidabras et al.
- 5,617,953 A 4/1997 Cope
- 5,803,254 A 9/1998 Vasudeva
- 5,887,715 A 3/1999 Vasudeva
- 5,890,613 A 4/1999 Williams
- 5,934,466 A 8/1999 Loeffler
- 6,082,539 A 7/2000 Lee
- 6,271,320 B1 8/2001 Keller et al.
- 6,349,827 B1 2/2002 Feder
- 6,543,613 B2 4/2003 Belanger

FIG. 1 is a top perspective view of the tool container.  
FIG. 2 is a top plan view thereof.  
FIG. 3 is a bottom plan view thereof.  
FIG. 4 is a left view thereof.  
FIG. 5 is a right view thereof.  
FIG. 6 is a front view thereof.  
FIG. 7 is a rear view thereof; and,  
FIG. 8 is a bottom perspective view thereof.

**1 Claim, 8 Drawing Sheets**



(56)

References Cited

U.S. PATENT DOCUMENTS

D608,094 S *	1/2010	Concari .....	D3/282	9,469,024 B2	10/2016	Bensman et al.	
7,690,856 B2	4/2010	Mortensen		D781,584 S	3/2017	Kinsky	
D639,059 S *	6/2011	Frainan .....	D3/282	D785,938 S *	5/2017	Ou .....	D3/282
D645,663 S	9/2011	Henley et al.		D798,053 S *	9/2017	Shitrit .....	D3/276
D648,531 S	11/2011	Finnigan et al.		D814,187 S *	4/2018	Caglar .....	D3/276
8,322,354 B2	12/2012	Parker		D851,399 S *	6/2019	Sarfati .....	D3/282
8,459,495 B2	6/2013	Koenig et al.		2002/0179473 A1	12/2002	Chao	
D691,801 S *	10/2013	Lin .....	D3/282	2004/0188322 A1	9/2004	Chen	
8,561,679 B2	10/2013	Andochick		2005/0029139 A1*	2/2005	Chen .....	B25H 3/023 206/373
8,590,704 B2	11/2013	Koenig et al.		2008/0149652 A1*	6/2008	Chang .....	B25H 3/02 220/752
D703,437 S *	4/2014	Bar-Erez .....	B25H 3/02 D3/282	2012/0152944 A1*	6/2012	Vilkomirski .....	B25H 3/022 220/4.28
8,714,355 B2	5/2014	Huang		2015/0165617 A1*	6/2015	Chern .....	B25H 3/02 206/374
8,875,888 B2	11/2014	Koenig et al.		2015/0353231 A1	10/2015	Brunner	
D719,352 S *	12/2014	Shitrit .....	D3/282	2016/0075010 A1	3/2016	Gonzalez et al.	
8,979,100 B2	3/2015	Bensman et al.		2016/0194115 A1	7/2016	Stuart et al.	
D738,106 S *	9/2015	Shitrit .....	D3/276				

\* cited by examiner

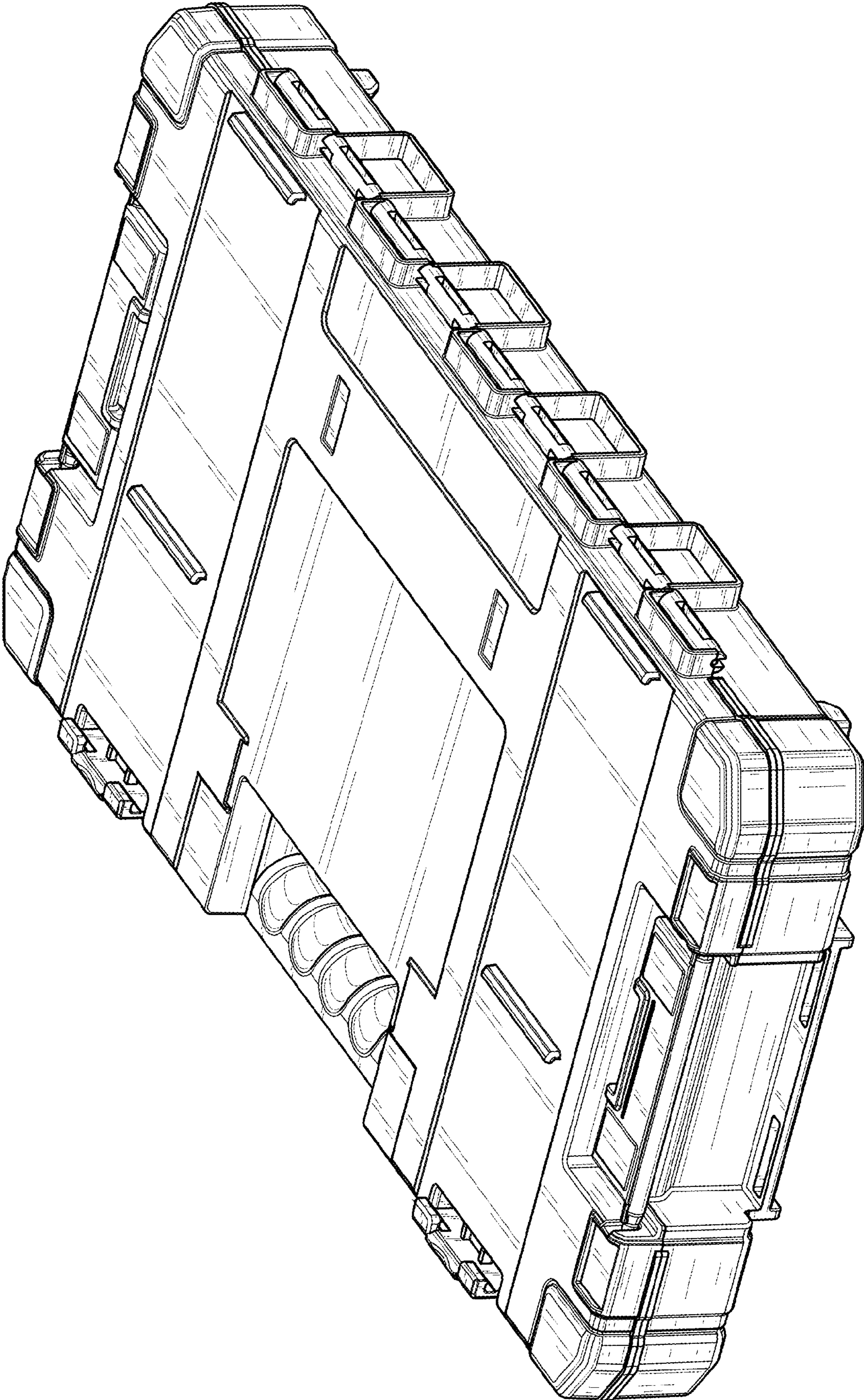


FIG. 1

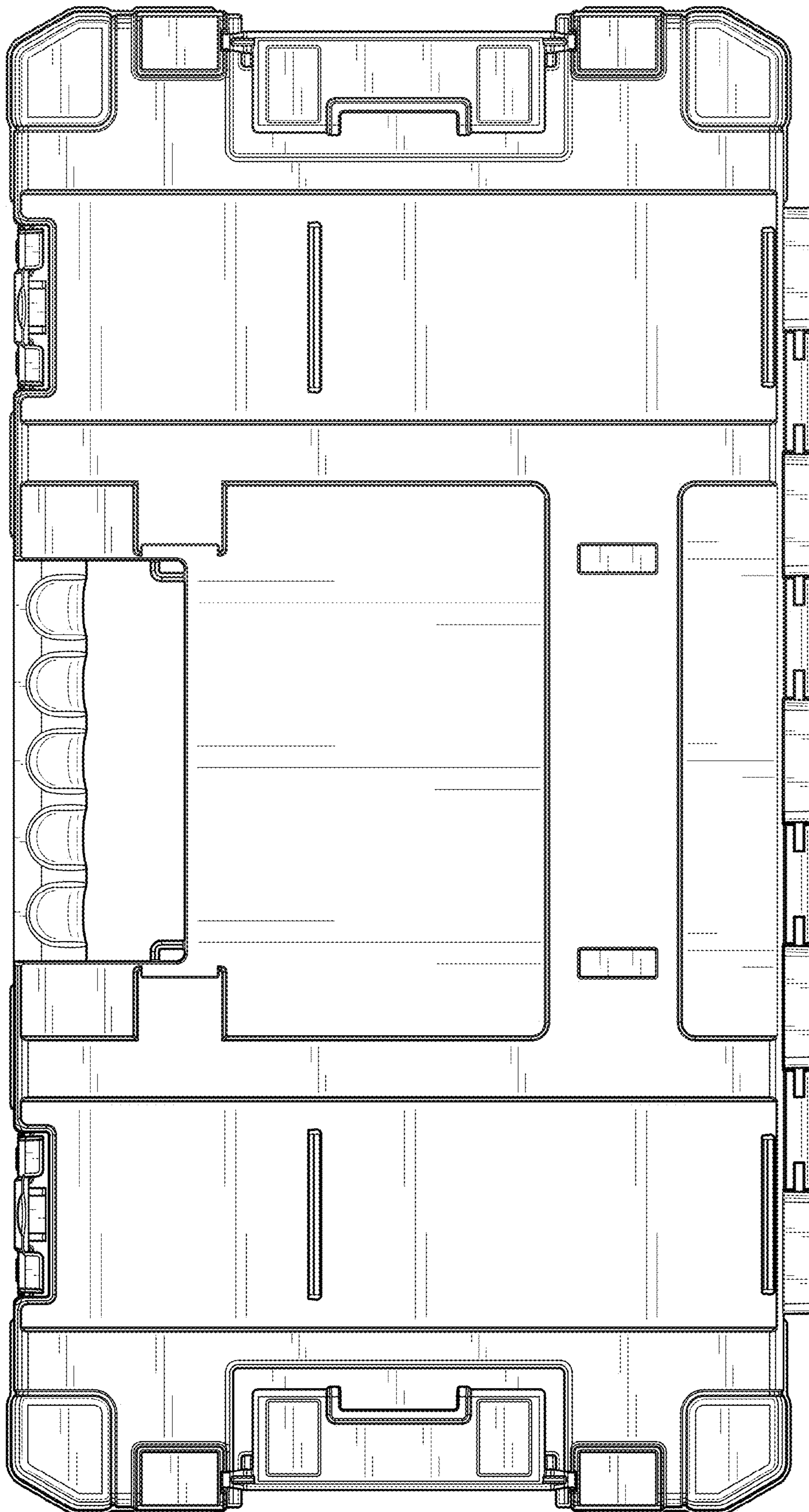


FIG. 2

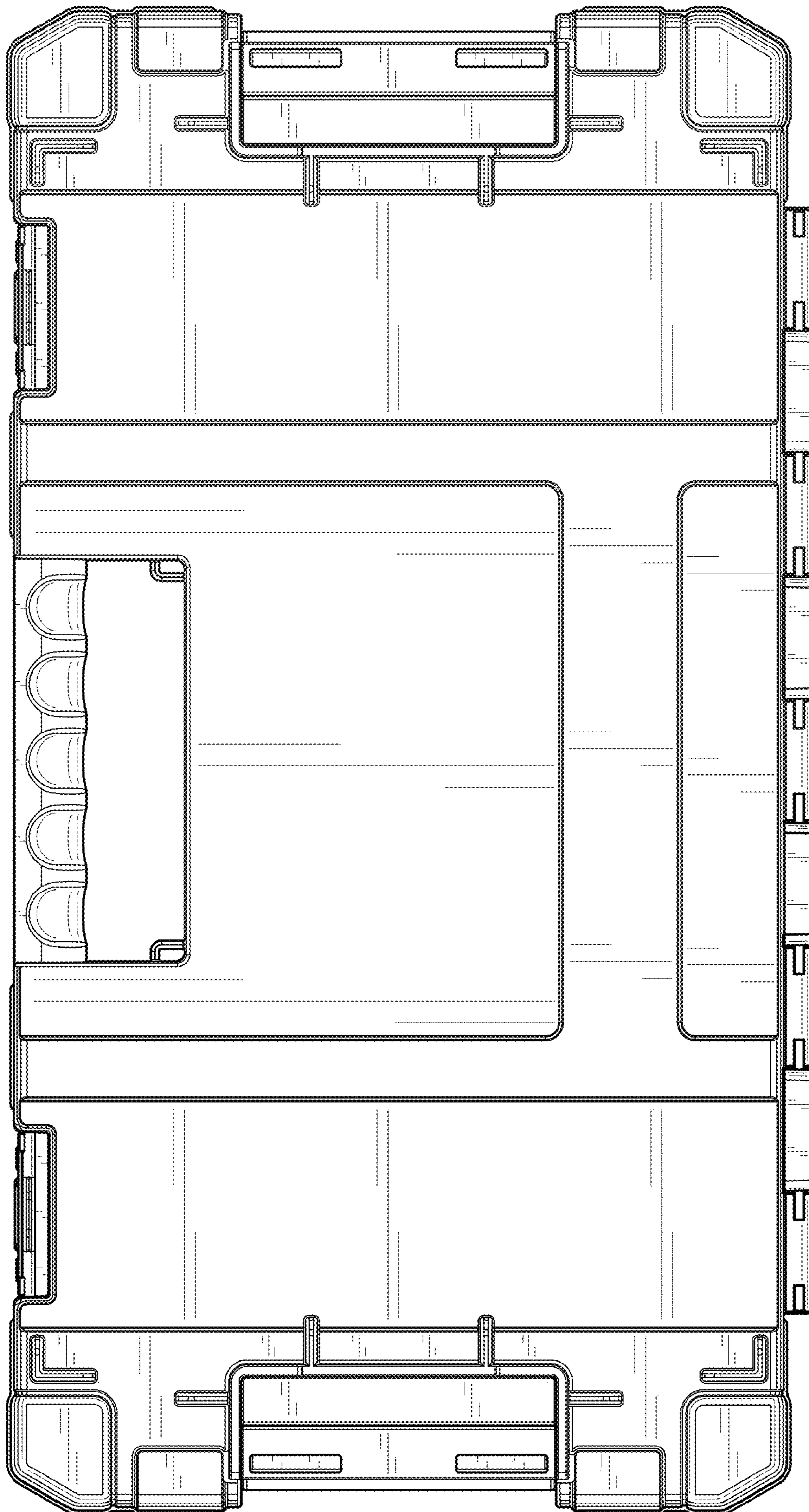


FIG. 3

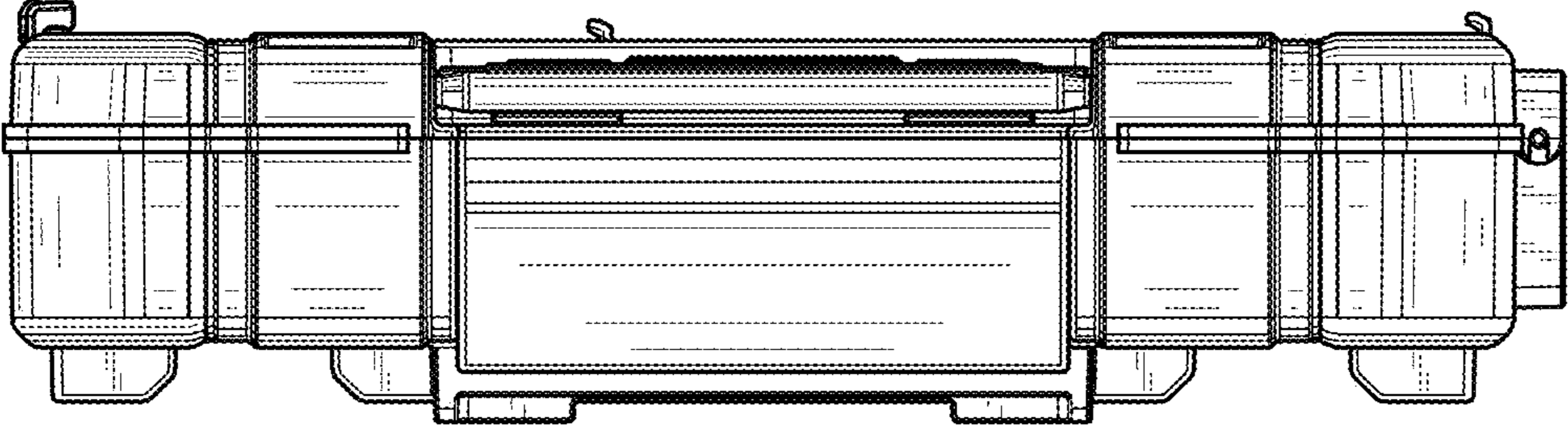


FIG. 4

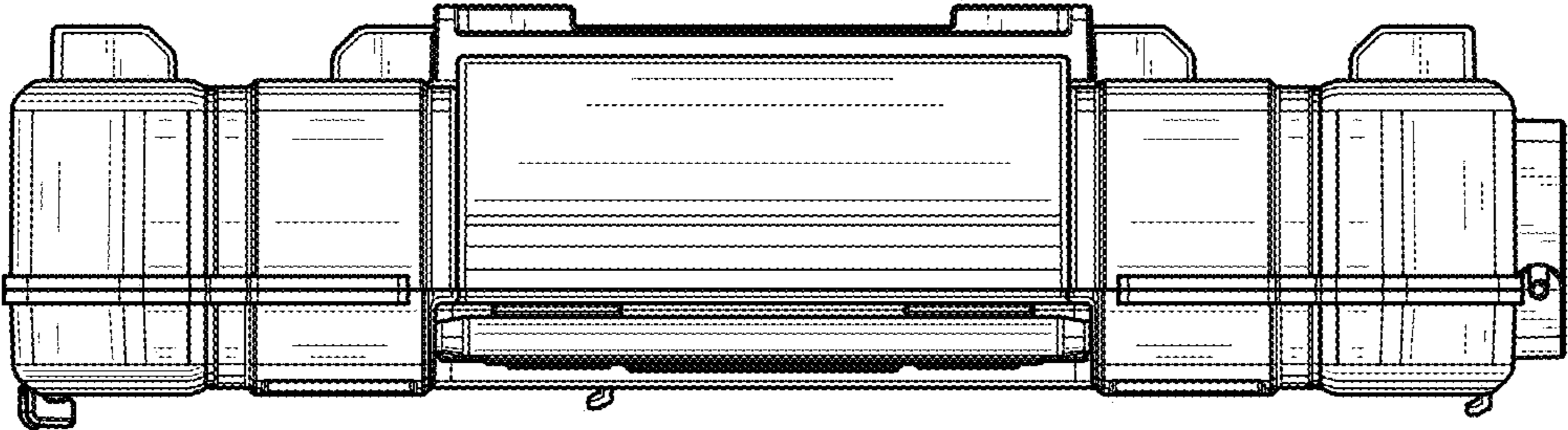


FIG. 5

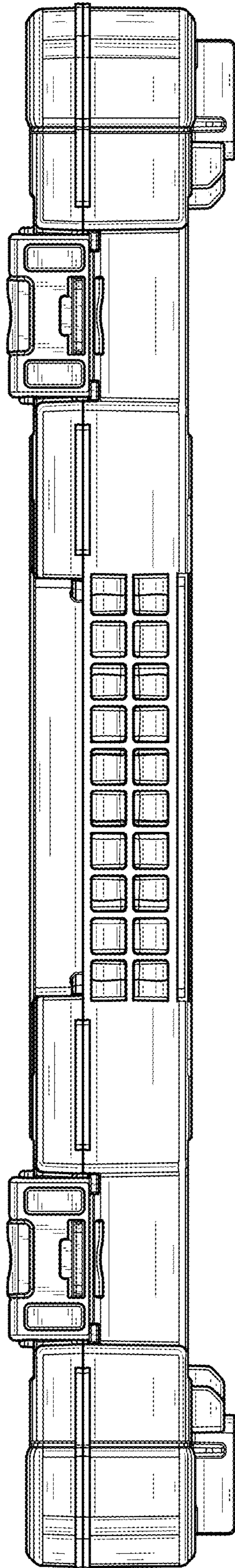


FIG. 6



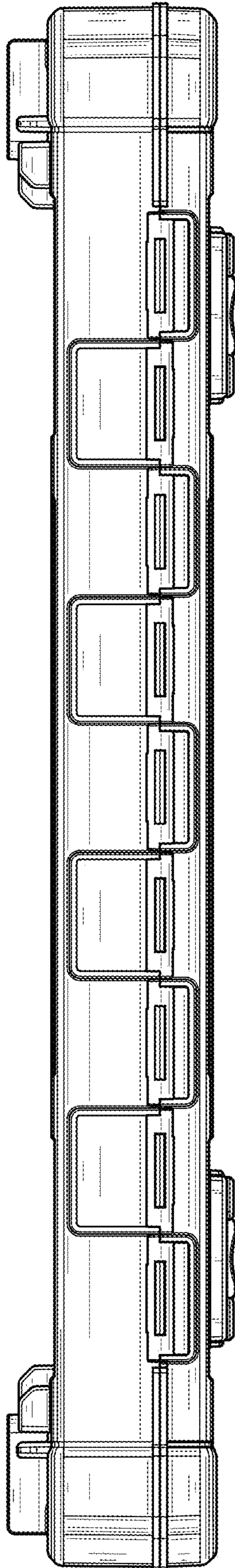


FIG. 7

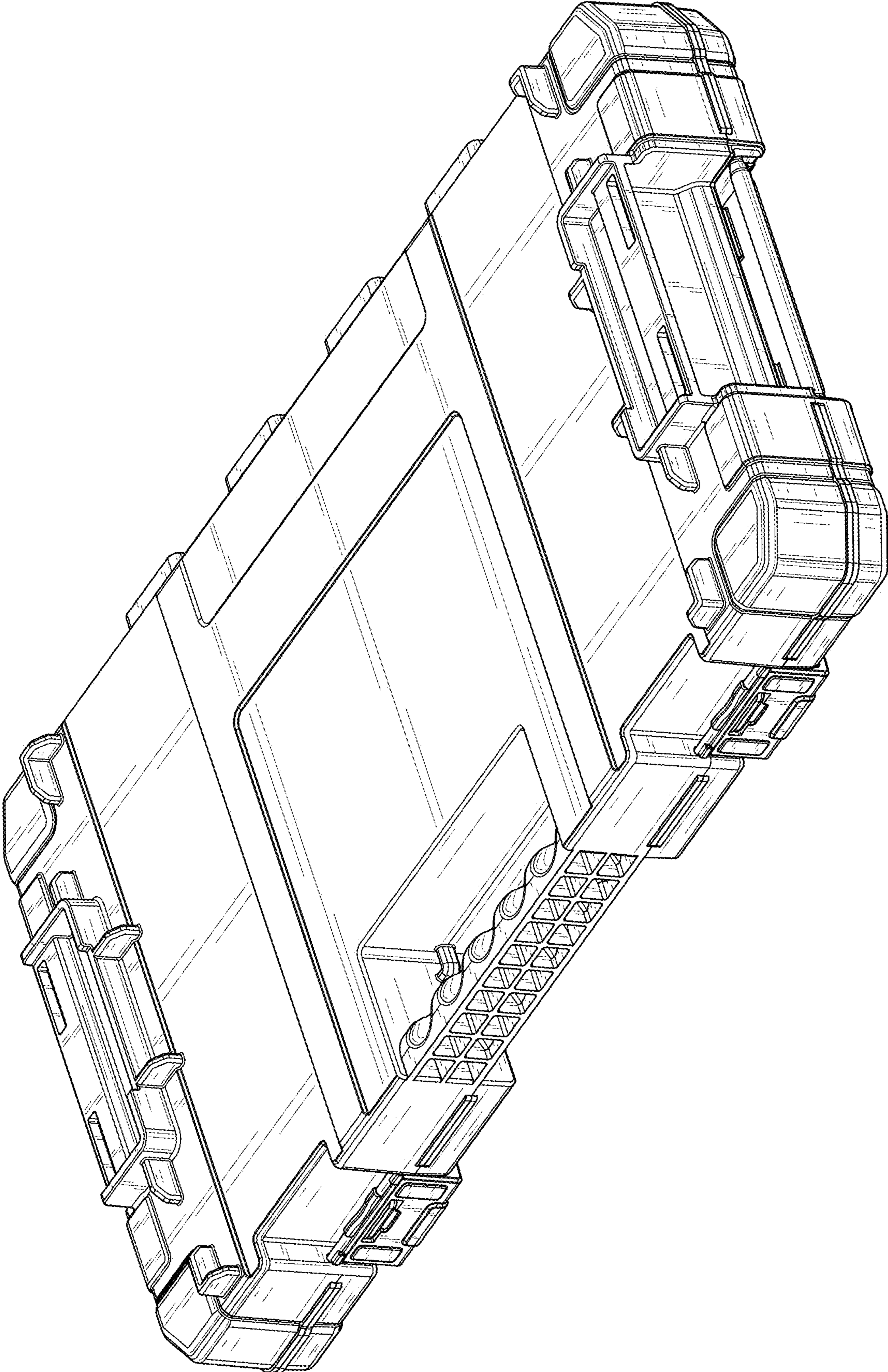


FIG. 8