



US00D873011S

(12) **United States Design Patent**
Kao

(10) **Patent No.:** **US D873,011 S**

(45) **Date of Patent:** **** Jan. 21, 2020**

(54) **TOOLBOX**

(71) Applicant: **Test Rite International Co., Ltd.**,
Taipei (TW)

(72) Inventor: **Tung-Sheng Kao**, Taipei (TW)

(73) Assignee: **TEST RITE INTERNATIONAL CO., LTD.**, Taipei (TW)

(**) Term: **15 Years**

(21) Appl. No.: **29/646,277**

(22) Filed: **May 3, 2018**

(30) **Foreign Application Priority Data**

Apr. 3, 2018 (TW) 107301915

(51) **LOC (12) Cl.** **03-01**

(52) **U.S. Cl.**
USPC **D3/282; D3/905**

(58) **Field of Classification Search**
USPC D3/273, 274, 276, 279, 282, 294, 297,
D3/905, 307, 313, 310
CPC B25H 3/00; B25H 3/003; B25H 3/006;
B25H 3/02; H02J 7/0027
See application file for complete search history.

(56) **References Cited**

U.S. PATENT DOCUMENTS

D406,192 S *	3/1999	Schurman	D3/282
D428,699 S *	8/2000	Gibson	D3/276
6,267,238 B1 *	7/2001	Miller	B25H 3/006 206/349
D477,913 S *	8/2003	Fang	D3/282
D523,635 S *	6/2006	Chen	D3/282

D568,046 S *	5/2008	Hsu	D3/282
D572,479 S *	7/2008	Buck	D3/282
D639,058 S *	6/2011	Chiu	D3/282
D668,455 S *	10/2012	Chang	D3/282
D691,801 S *	10/2013	Lin	D3/282
D710,104 S *	8/2014	Tivoly	D3/282
D785,938 S *	5/2017	Ou	D3/282
D841,981 S *	3/2019	Kogel	D3/282

* cited by examiner

Primary Examiner — April Rivas

(74) *Attorney, Agent, or Firm* — Bacon & Thomas, PLLC

(57) **CLAIM**

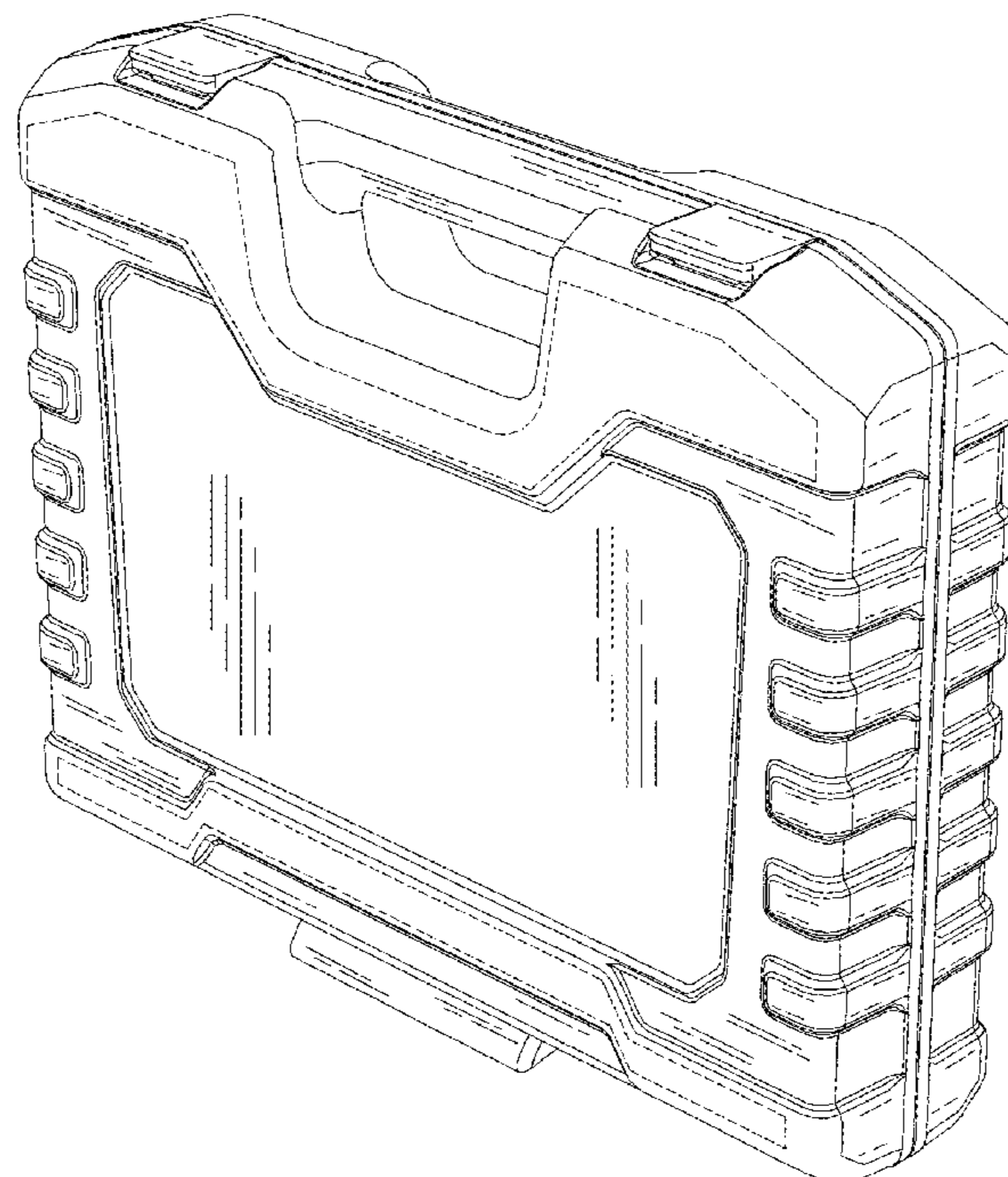
The ornamental design for a toolbox, as shown and described.

DESCRIPTION

FIG. 1 is a perspective view of a toolbox showing the new design;
FIG. 2 is a front elevational view thereof;
FIG. 3 is a rear elevational view thereof;
FIG. 4 is a left side elevational view thereof;
FIG. 5 is a right side elevational view thereof;
FIG. 6 is a top plan view thereof;
FIG. 7 is a bottom plan view thereof; and,
FIG. 8 is an alternate embodiment of the front elevational view of FIG. 2. The second embodiment is identical to the first embodiment with the exception of the front view as shown in FIG. 8.

The broken lines illustrate portions of the toolbox and form no part of the claimed design.

1 Claim, 7 Drawing Sheets



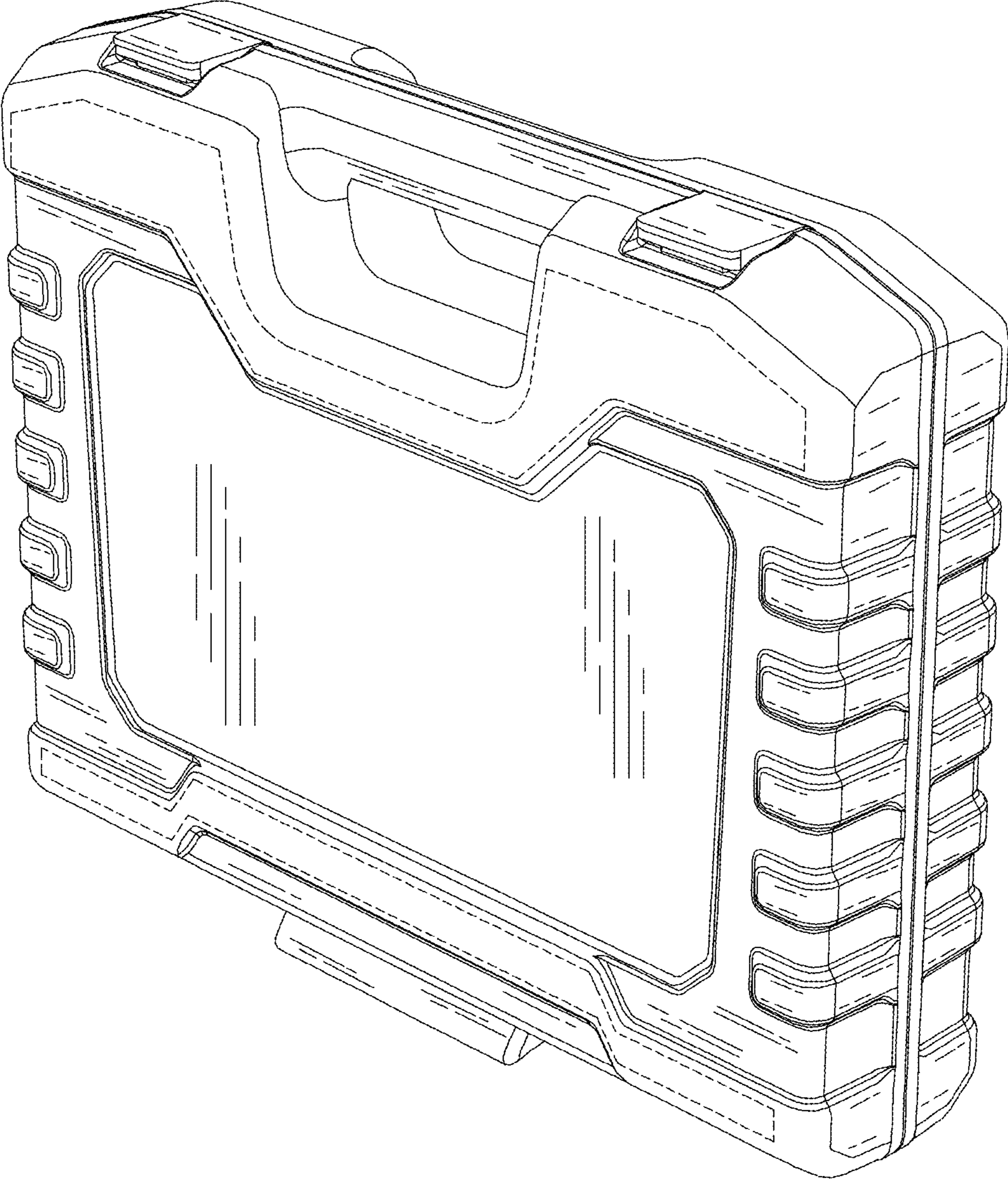


FIG. 1

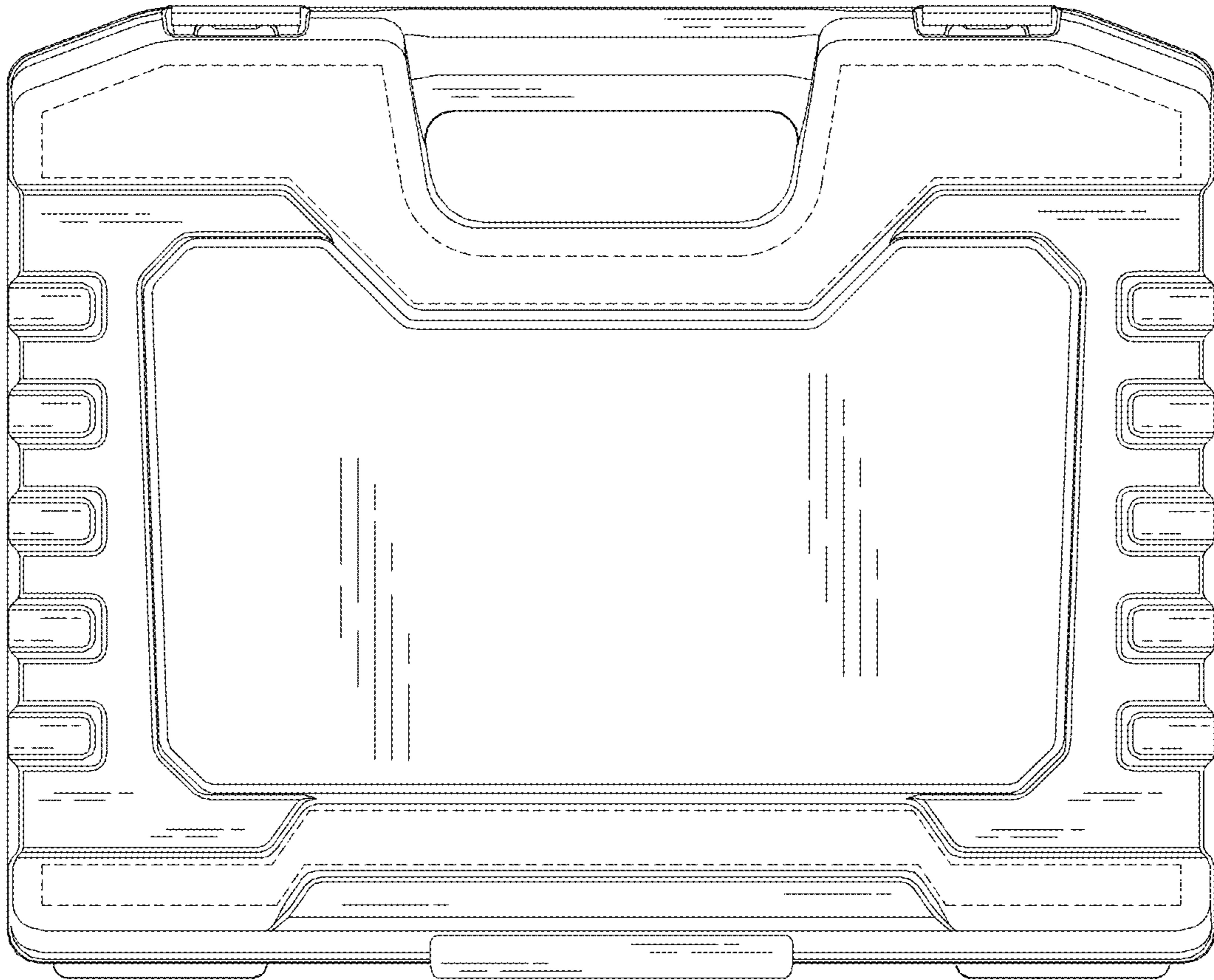


FIG. 2

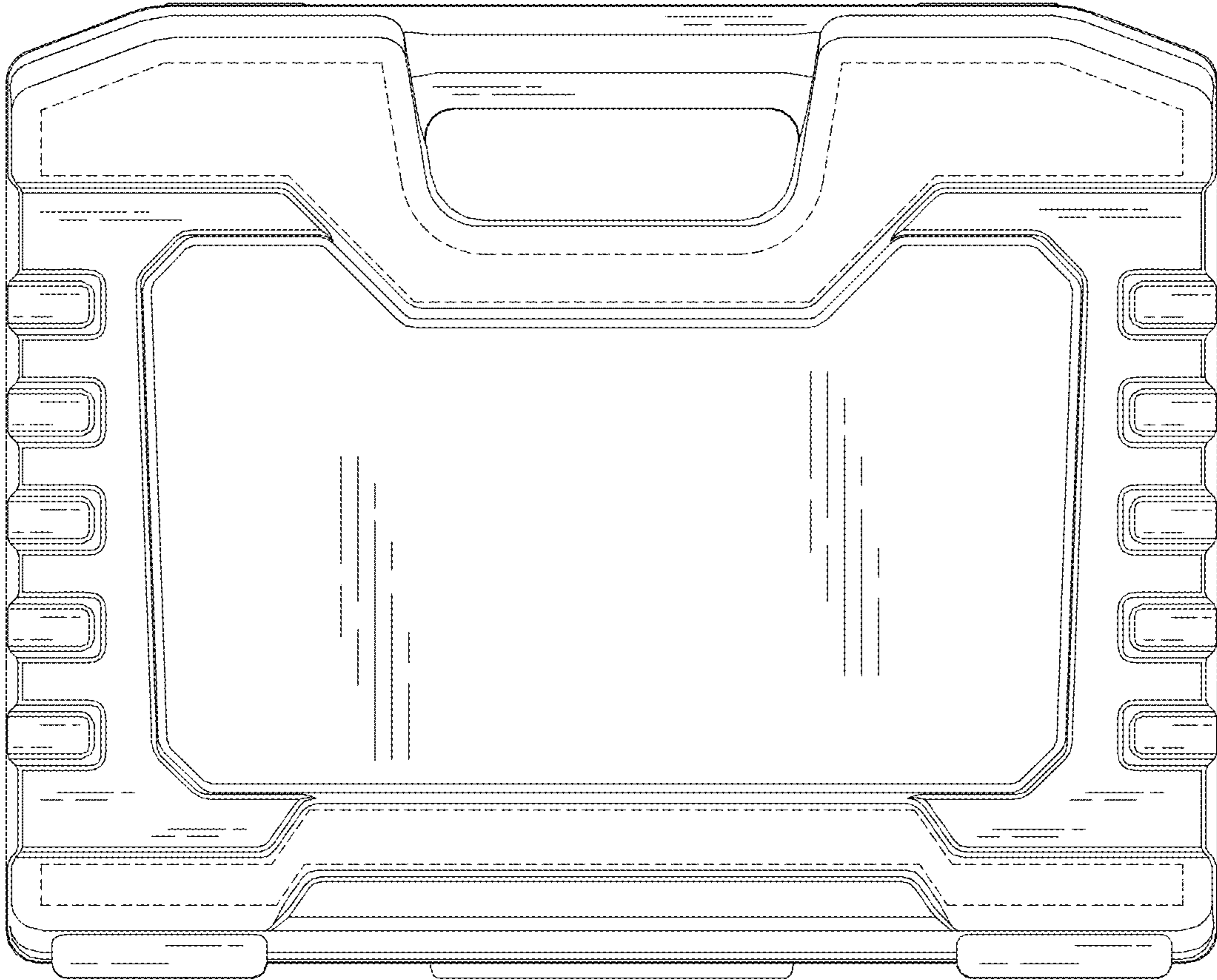


FIG. 3

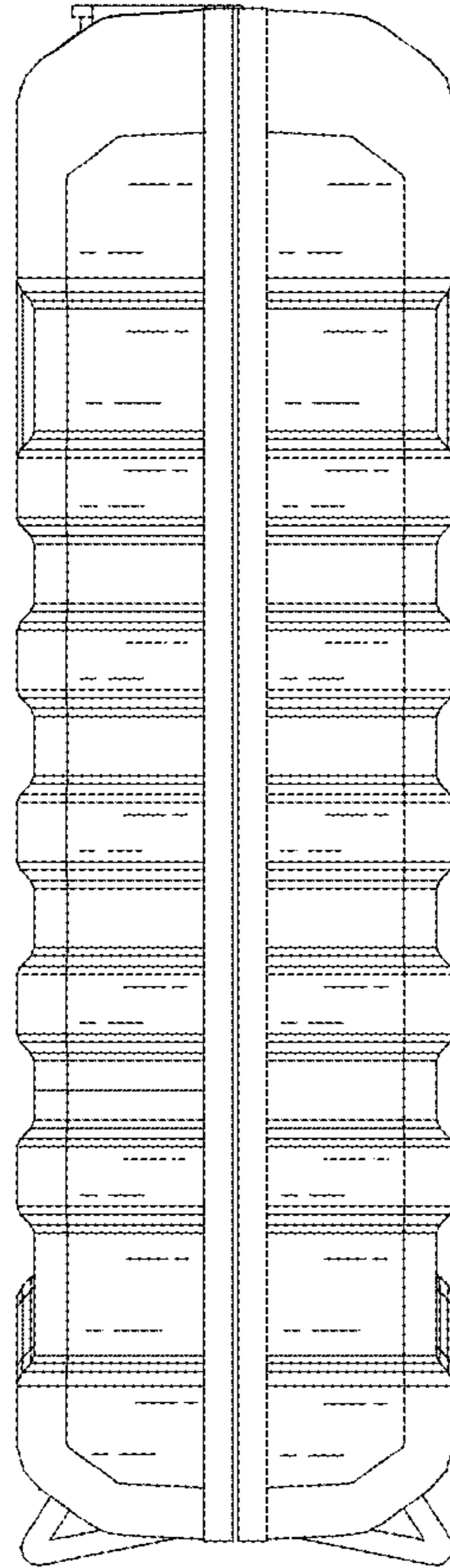


FIG. 4

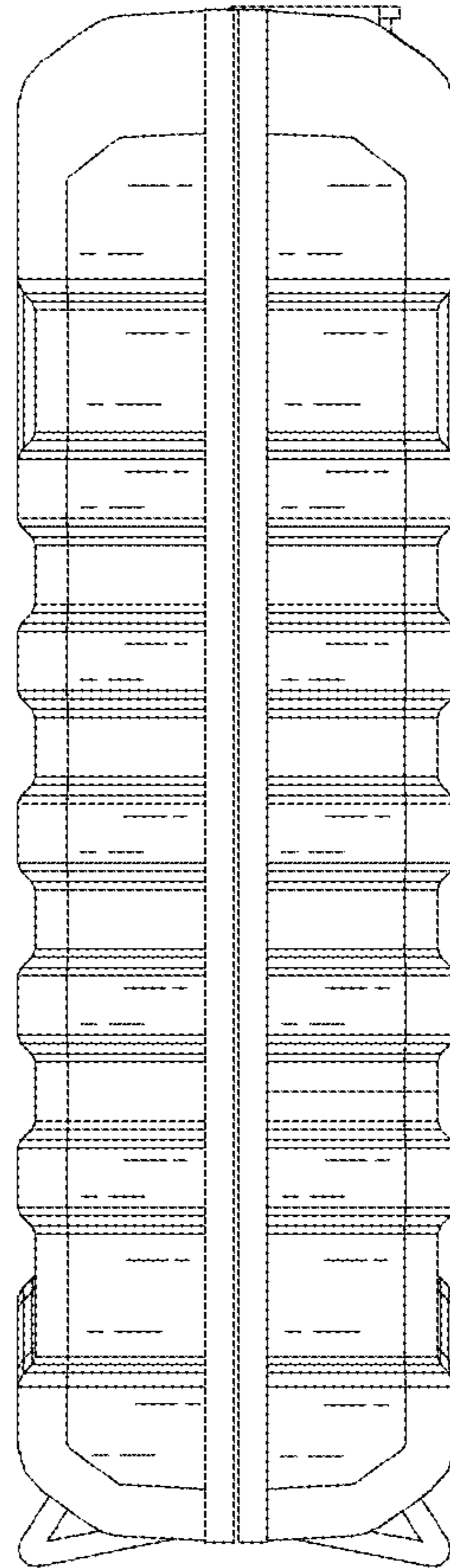


FIG. 5

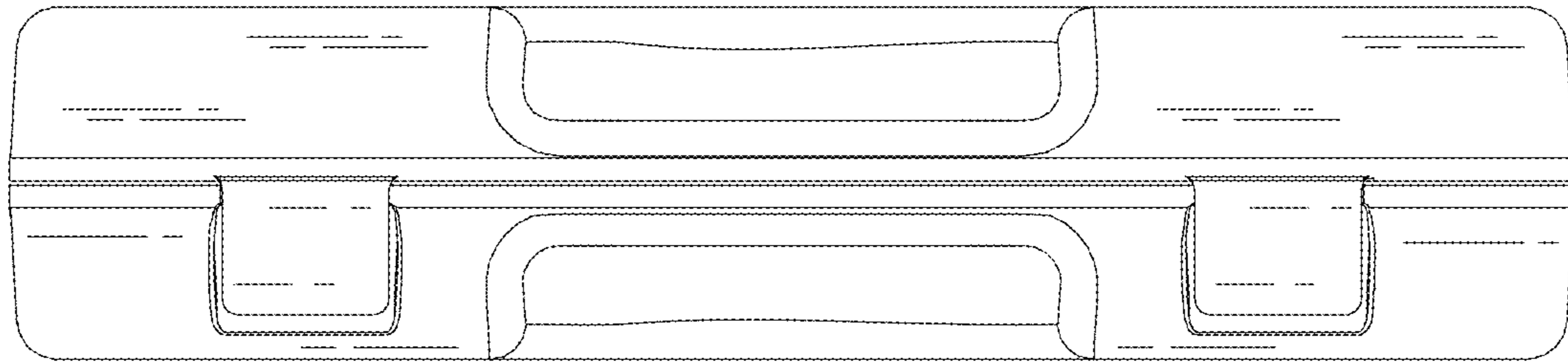


FIG. 6

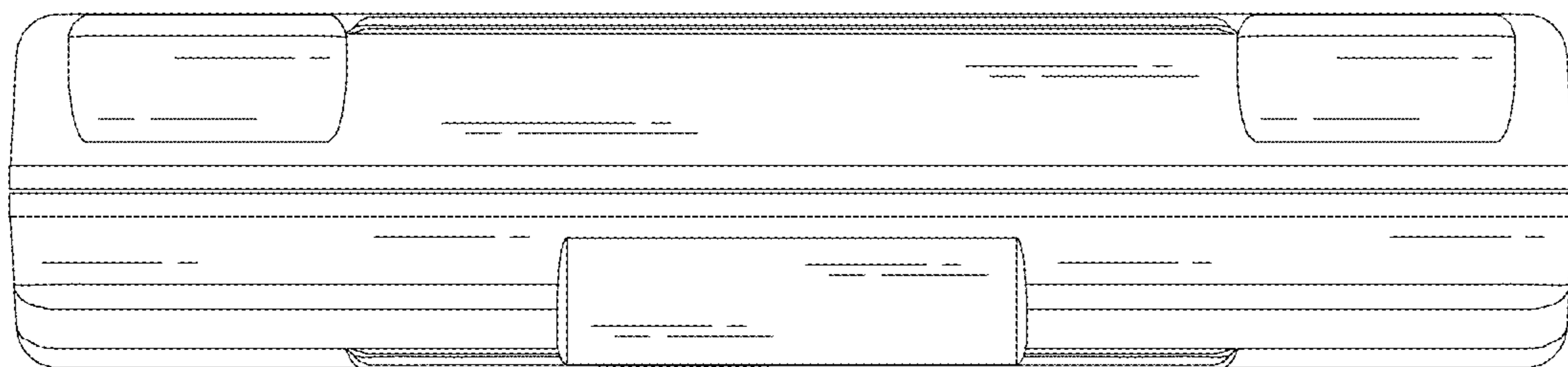


FIG. 7

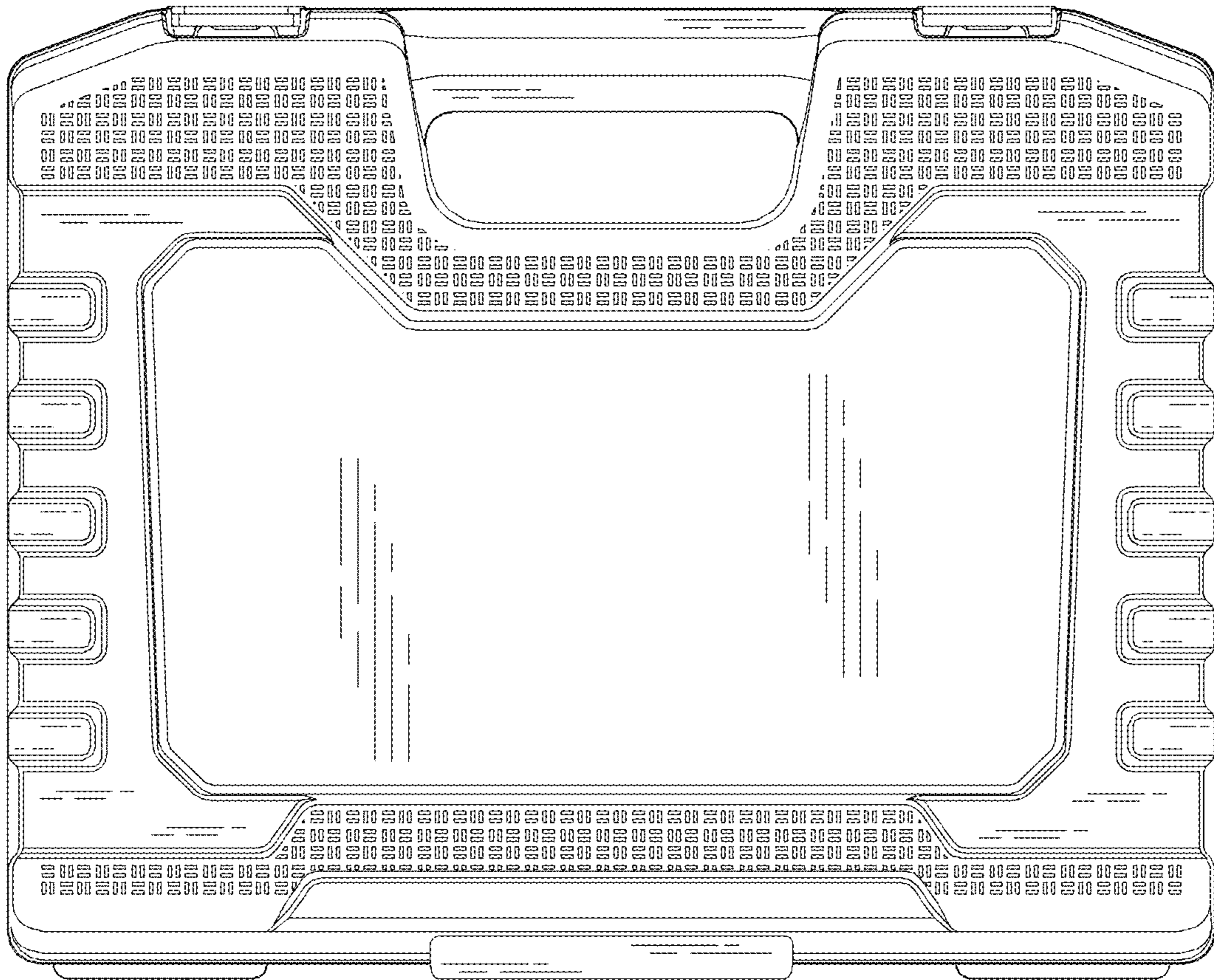


FIG. 8