



US00D873010S

(12) **United States Design Patent** (10) **Patent No.:** **US D873,010 S**
Feng (45) **Date of Patent:** **** Jan. 21, 2020**

(54) **TOOL BOX**

(71) Applicant: **Ruining Feng**, Jiangmen (CN)

(72) Inventor: **Ruining Feng**, Jiangmen (CN)

(**) Term: **15 Years**

(21) Appl. No.: **29/641,613**

(22) Filed: **Mar. 23, 2018**

(30) **Foreign Application Priority Data**

Sep. 27, 2017 (CN) 2017 3 0462627

(51) **LOC (12) Cl.** **03-01**

(52) **U.S. Cl.**

USPC **D3/281; D3/291; D3/905**

(58) **Field of Classification Search**

USPC D3/273, 274, 276, 279, 282, 294, 297,
D3/298, 905, 307, 313, 310, 291, 281

CPC B25H 3/00; B25H 3/003; B25H 3/006;
B25H 3/02; H02J 7/0027; A45C 9/00;
A45C 5/00

See application file for complete search history.

(56) **References Cited**

U.S. PATENT DOCUMENTS

D462,519	S	*	9/2002	Gaydos	D3/276
D472,384	S	*	4/2003	Richardson	D3/273
D523,242	S	*	6/2006	Hardigg	D3/276
D525,789	S	*	8/2006	Hosking	D3/281
D579,202	S	*	10/2008	Grenier	D3/294
D668,048	S	*	10/2012	Vilkomirski	D3/281
D709,697	S	*	7/2014	Brunner	D3/281
D709,698	S	*	7/2014	Brunner	D3/281
D738,105	S	*	9/2015	Shitrit	D3/276
D744,750	S	*	12/2015	Sabbag	D3/281
D798,054	S	*	9/2017	Shpitzer	D3/283
D831,352	S	*	10/2018	Brunner	D3/281

OTHER PUBLICATIONS

Monoprice, "Monoprice Weatherproof Hard Case", Feb. 14, 2015. (https://www.monoprice.com/product?p_id=10623) (Year: 2015).*

Elephant case, "Hard Case Elephant E140T Top Load", Accessed Mar. 25, 2019. (<https://www.elephantcases.com/e140t.html>) (Year: 2019).*

Amazon, "Pelican 1430 Case . . .", First on sale Apr. 2, 2004. (<https://www.amazon.com/Pelican-1430-Office-Divider-Organizer/dp/B000QUGZ7Q/>) (Year: 2004).*

Pelican, "i M2450 Storm Case", Accessed Mar. 25, 2019. (<https://www.pelican.com/us/en/product/cases/storm/im2450>) (Year: 2019).*

Plastic Mold, "YF-4625", Cached from Sep. 2, 2018 on web.archive.org/, earliest cache. (<http://www.niuxcases.com/yf-4625-p00123p1.html>) (Year: 2018).*

* cited by examiner

Primary Examiner — April Rivas

(74) *Attorney, Agent, or Firm* — Gottlieb, Rackman & Reisman, P.C.

(57) **CLAIM**

I claim the ornamental design for a tool box, as shown and described.

DESCRIPTION

FIGS. 1-7 depict the tool box of the present invention.

FIG. 1 is a perspective view of a tool box showing my new design;

FIG. 2 is a front view thereof;

FIG. 3 is a back view thereof;

FIG. 4 is a right side view thereof;

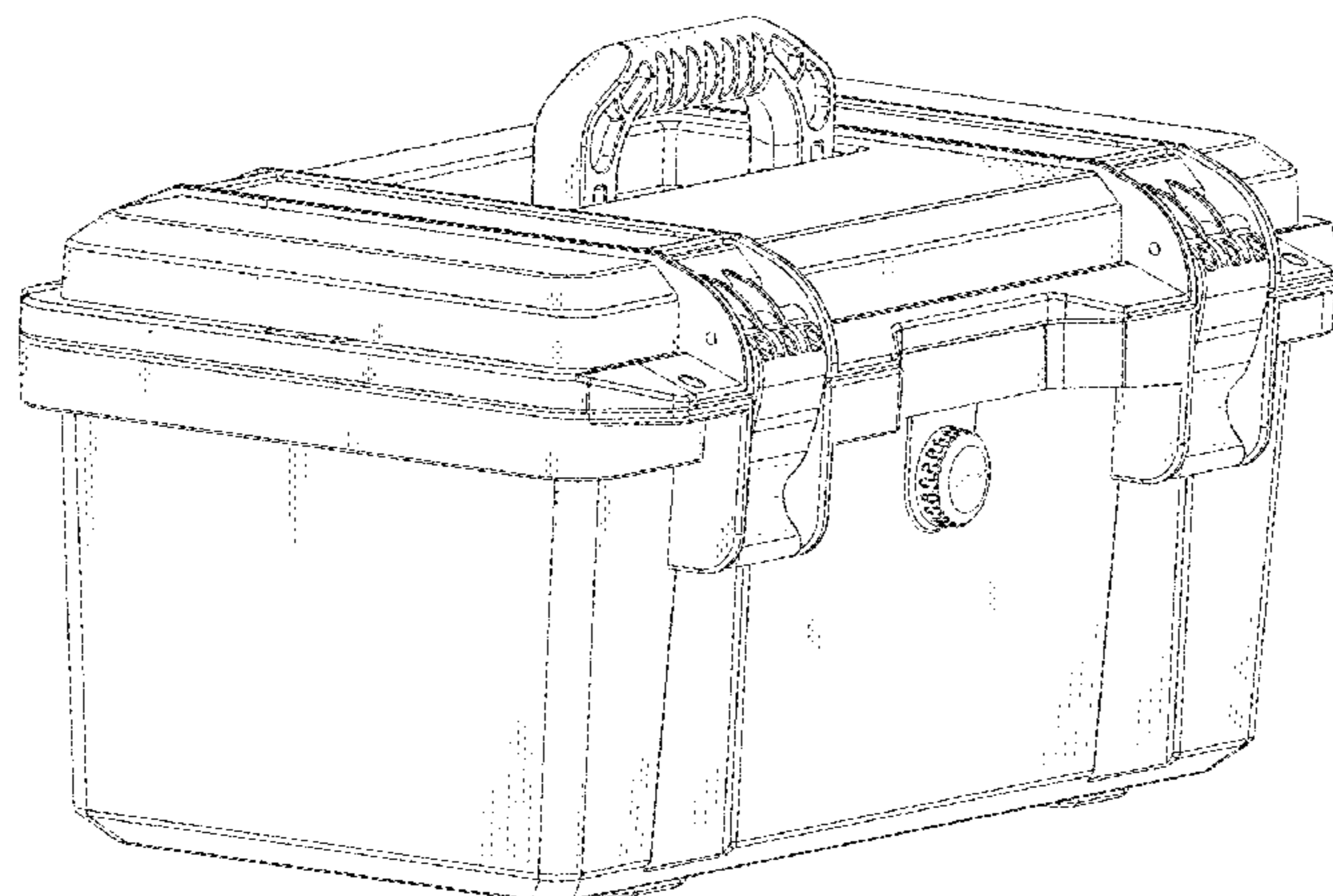
FIG. 5 is a left side view thereof;

FIG. 6 is a top view thereof; and,

FIG. 7 is a bottom view thereof.

Any broken lines shown in the drawings are for the purpose of illustrating portions of the tool box that form no part of the claimed design.

1 Claim, 7 Drawing Sheets



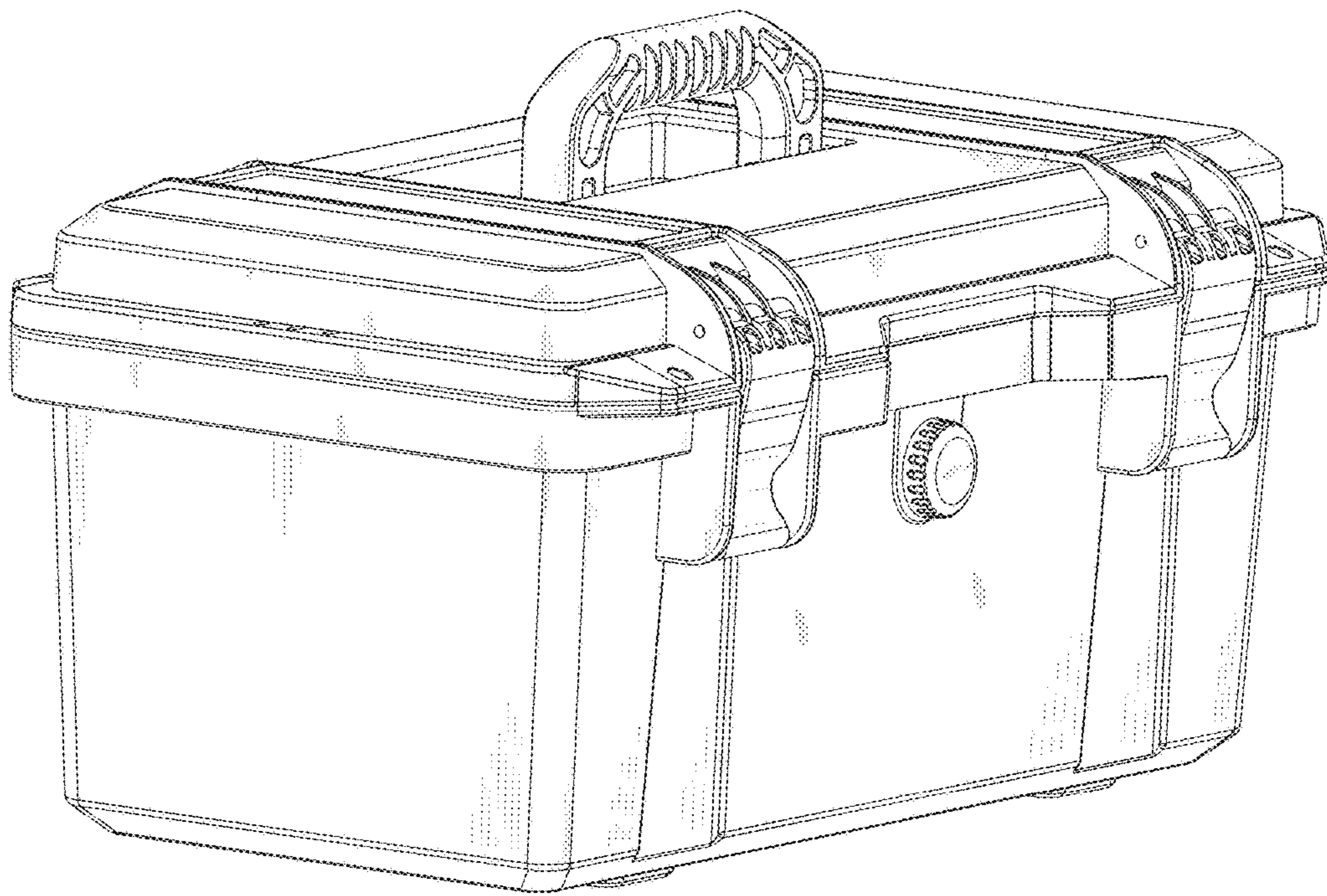


FIG. 1

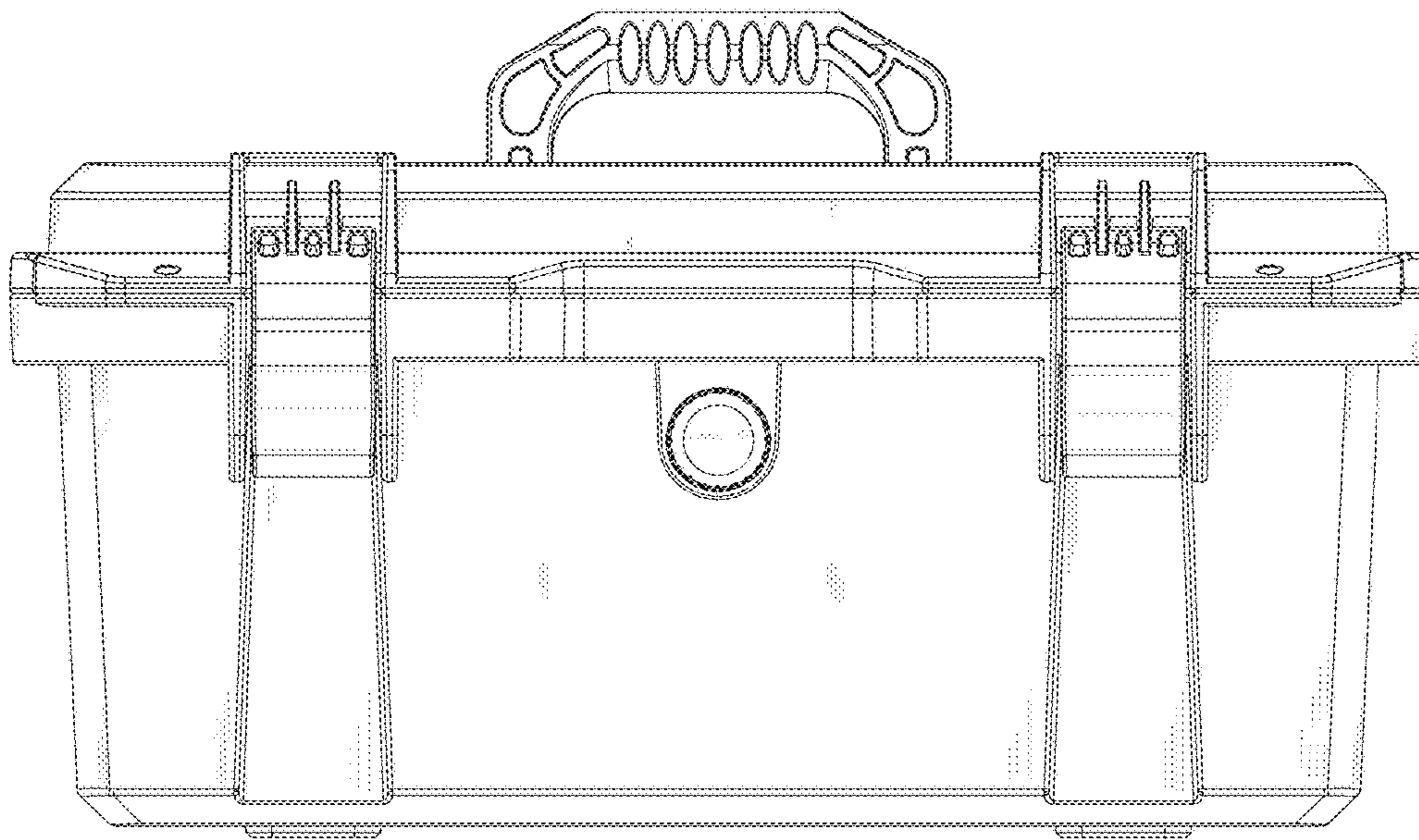


FIG.2

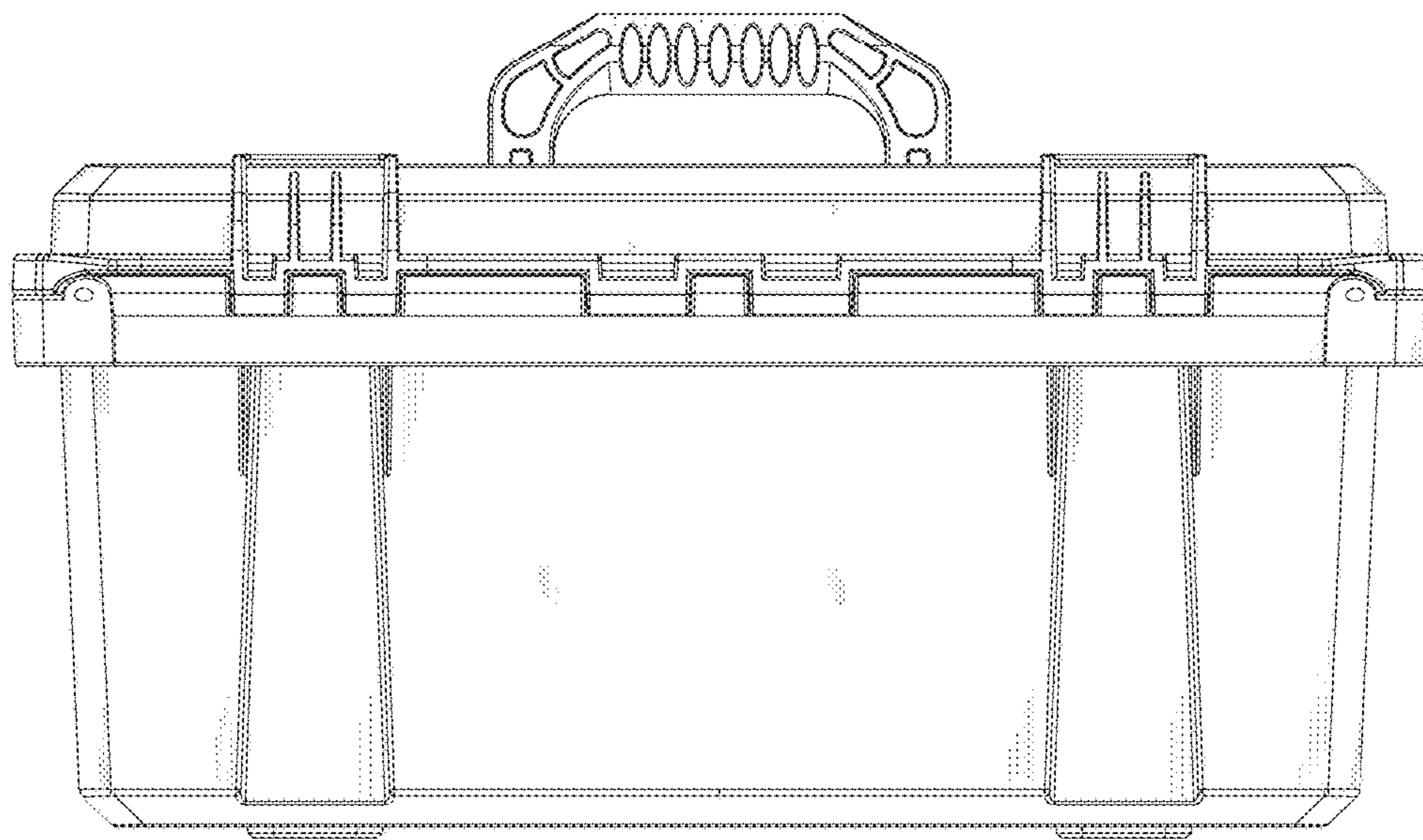


FIG.3

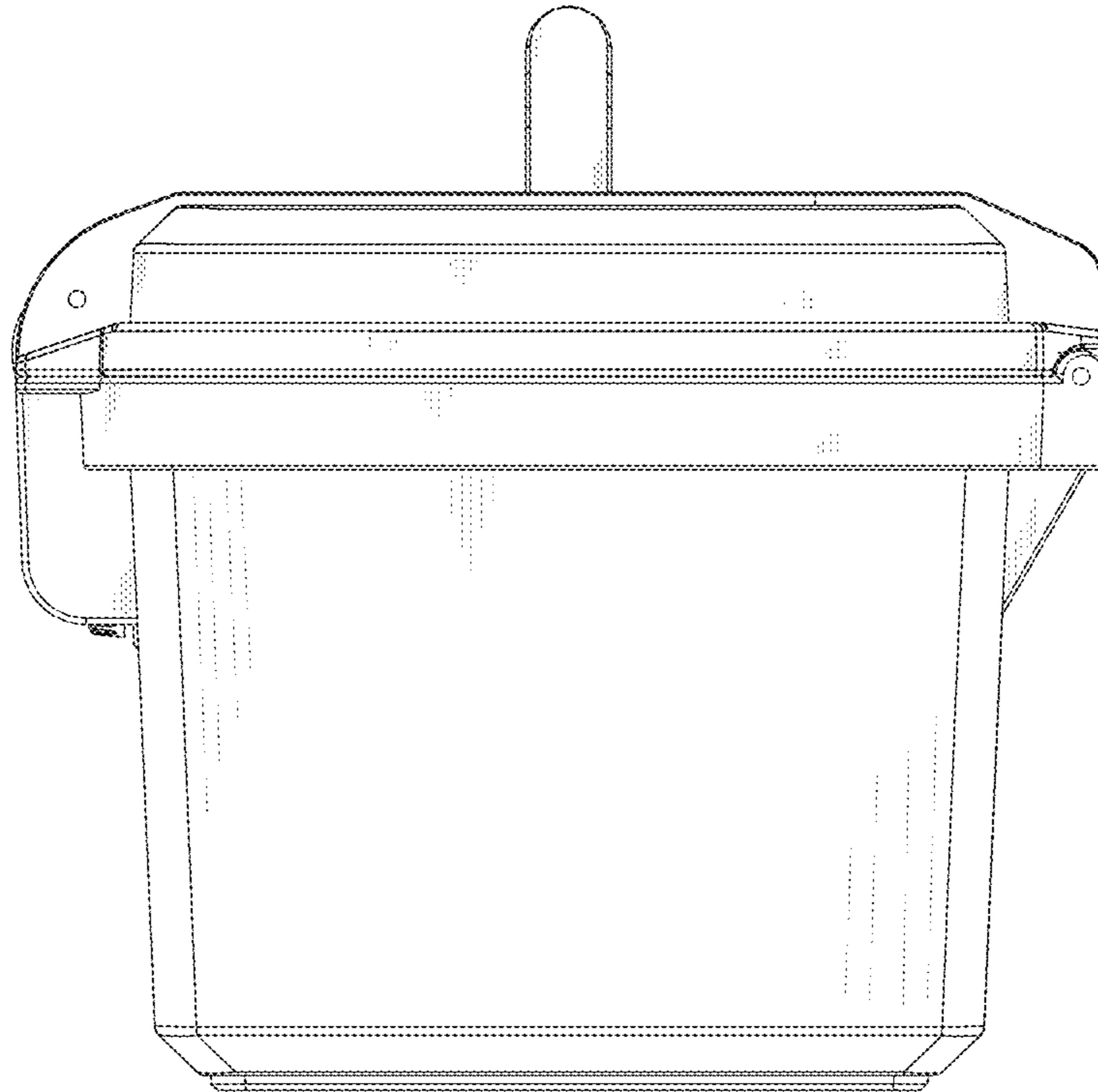


FIG.4

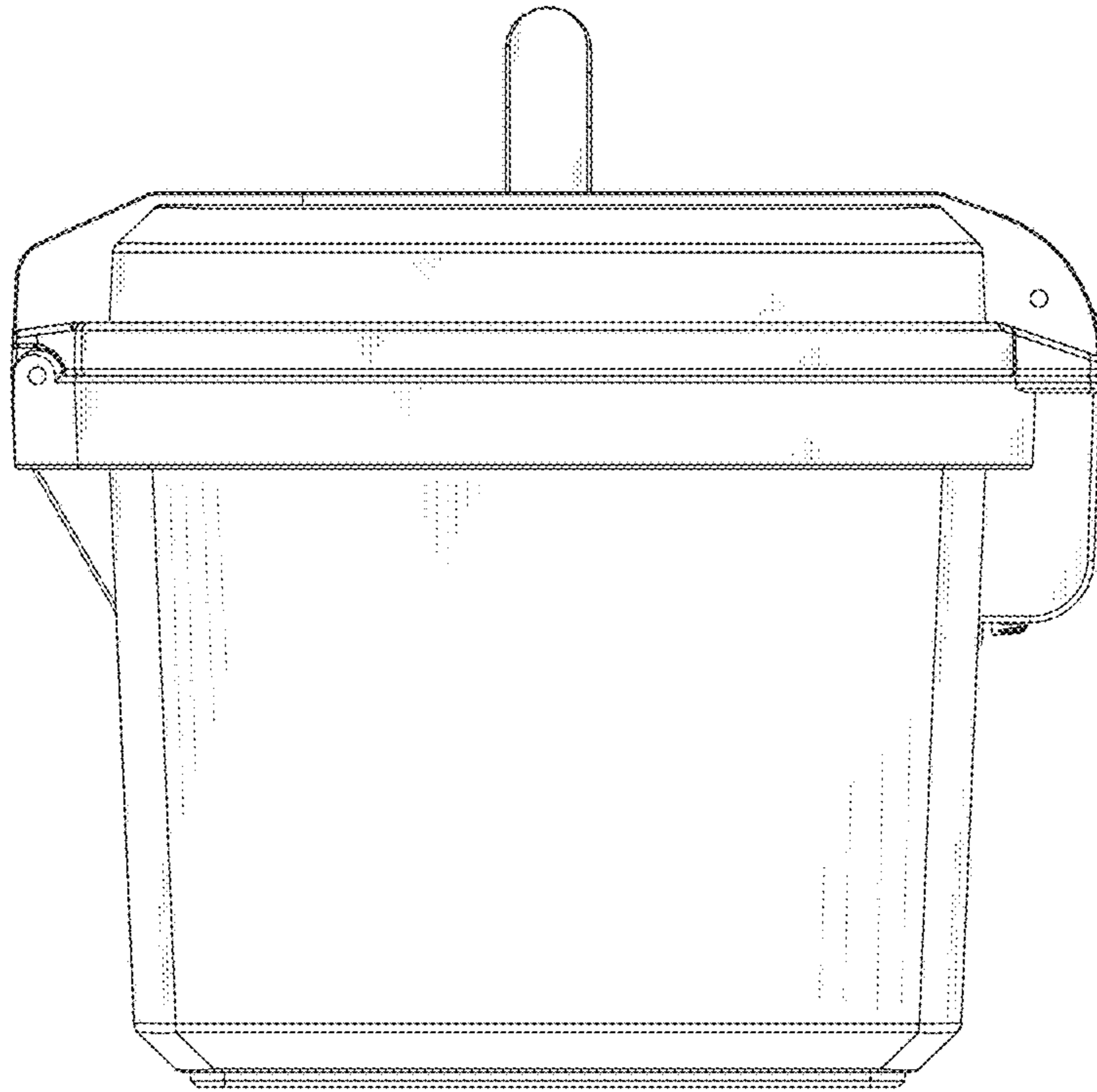


FIG.5

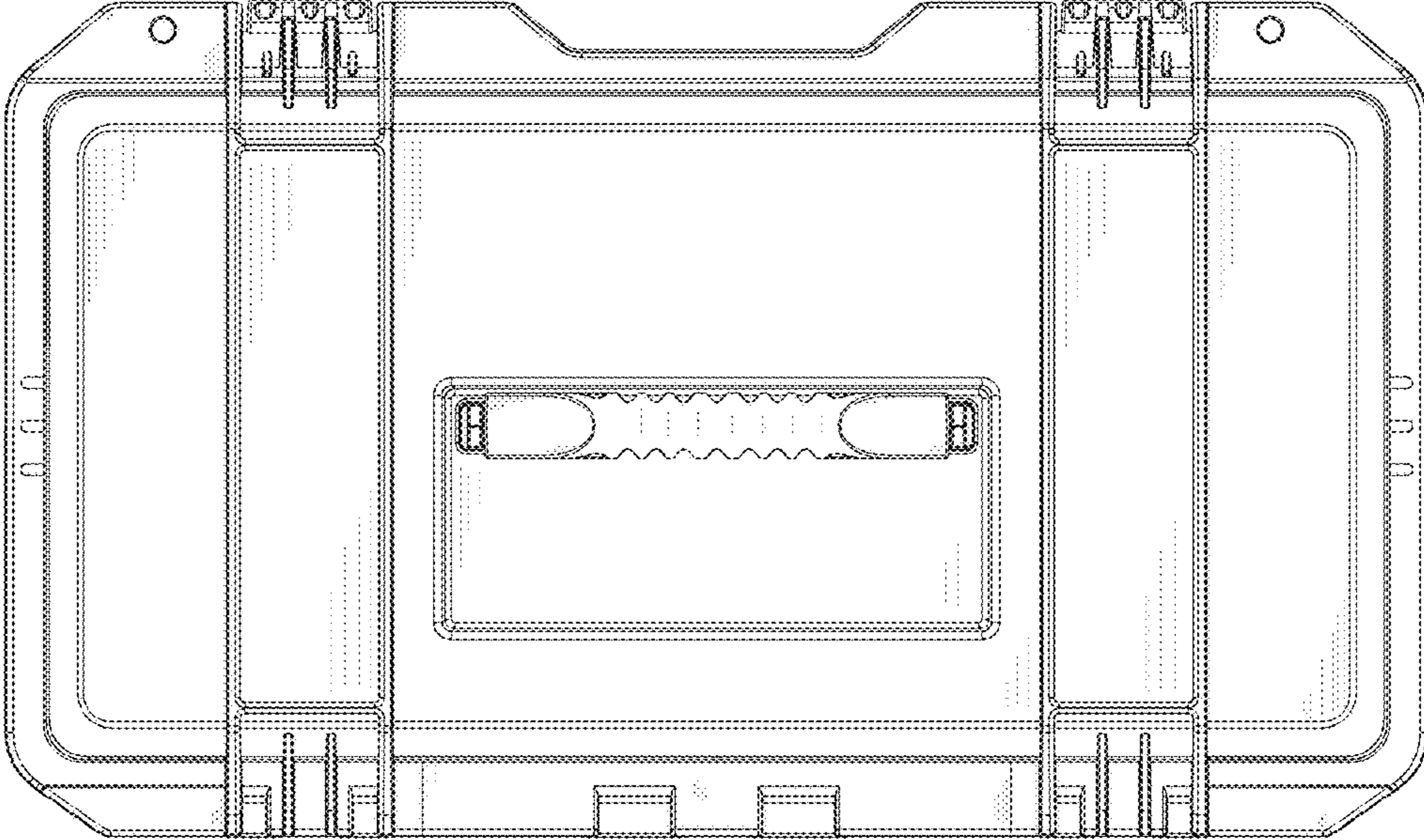


FIG.6

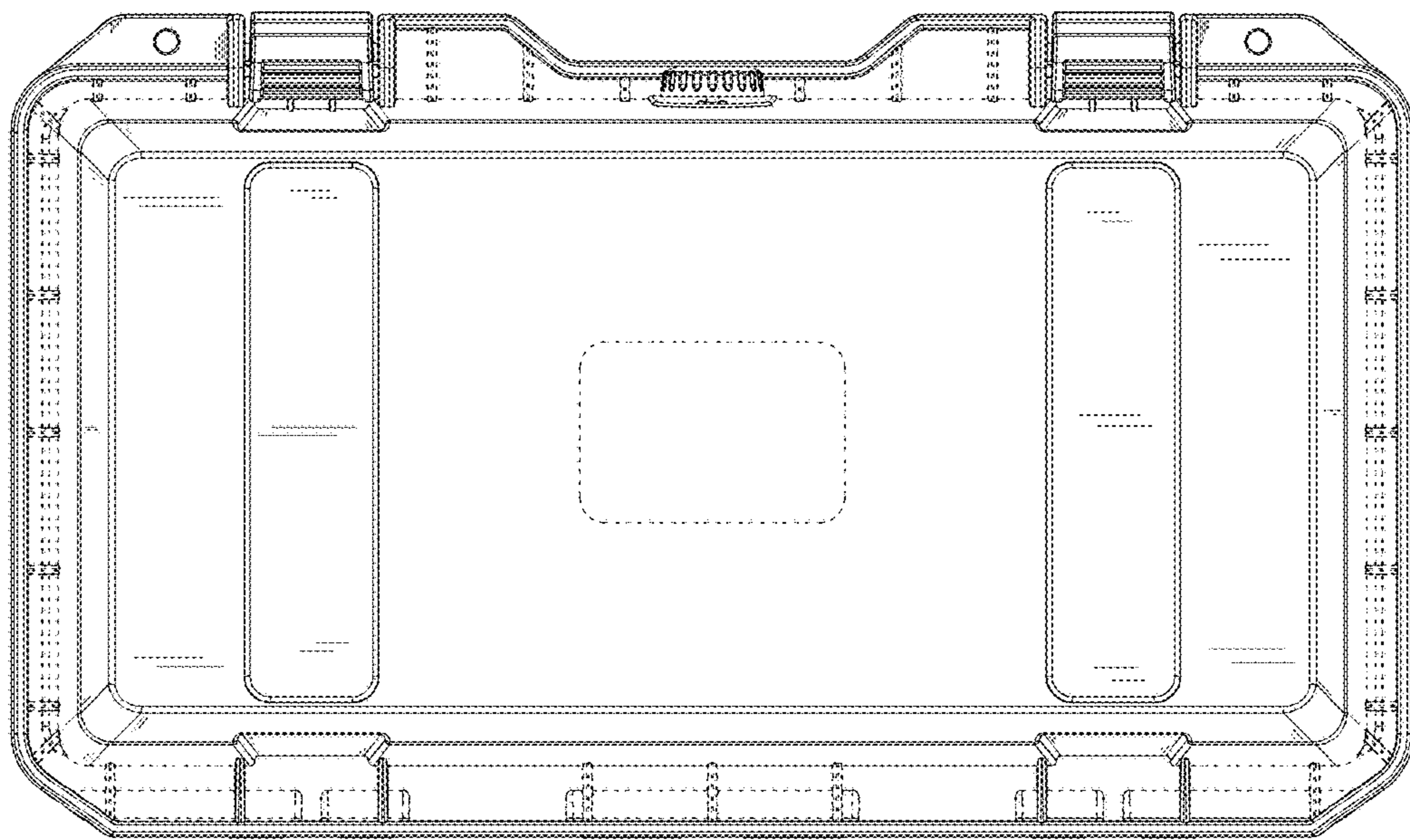


FIG.7