



US00D873009S

(12) **United States Design Patent** (10) **Patent No.:** **US D873,009 S**
Mahanavanont (45) **Date of Patent:** **** Jan. 21, 2020**

(54) **SUITCASE**

(71) Applicant: **THOMAS MENDOZA INTERNATIONAL CO., LTD.**, Hong Kong (CN)

(72) Inventor: **Thavisak Mahanavanont**, Hong Kong (CN)

(73) Assignee: **THOMAS MENDOZA INTERNATIONAL CO., LTD.**, Hong Kong (CN)

(**) Term: **15 Years**

D788,461 S * 6/2017 Tonelli D3/279
D793,086 S * 8/2017 Mahanavanont D3/279
D802,924 S * 11/2017 Mahanavanont D3/279
D820,594 S * 6/2018 Yu D3/279
D840,683 S * 2/2019 Hue D3/279
2003/0234501 A1* 12/2003 Cohen B62B 1/125
280/47.24
2005/0199459 A1* 9/2005 Harvey A45C 5/14
190/108
2017/0049203 A1* 2/2017 Mahanavanont A45C 13/36

(21) Appl. No.: **29/660,850**

(22) Filed: **Aug. 23, 2018**

(51) **LOC (12) Cl.** **03-01**

(52) **U.S. Cl.**
USPC **D3/279; D3/282**

(58) **Field of Classification Search**
USPC D3/273, 274, 276, 279, 281, 282, 289, D3/321, 900, 902
CPC A45C 5/00; A45C 2003/008; A45C 3/02; A45C 5/03; A45C 2005/032; A45C 2005/035; A45C 2005/037; A45C 5/06; A45C 5/14; A45C 2005/142; A45C 2200/20; A45C 3/12
See application file for complete search history.

(56) **References Cited**

U.S. PATENT DOCUMENTS

D416,384 S * 11/1999 Bell D3/272
D730,050 S * 5/2015 Hogan D3/279
D752,862 S * 4/2016 Riddiford D3/272
D784,017 S * 4/2017 Hsieh D3/279

OTHER PUBLICATIONS

Mendoza Bag, "MAR-X.", Wayback machine cached Mar. 30, 2018. (<http://mendoza-bag.com/collection.php?serie=MAR-X>) (Year: 2018).*

* cited by examiner

Primary Examiner — April Rivas
(74) *Attorney, Agent, or Firm* — Leong C. Lei

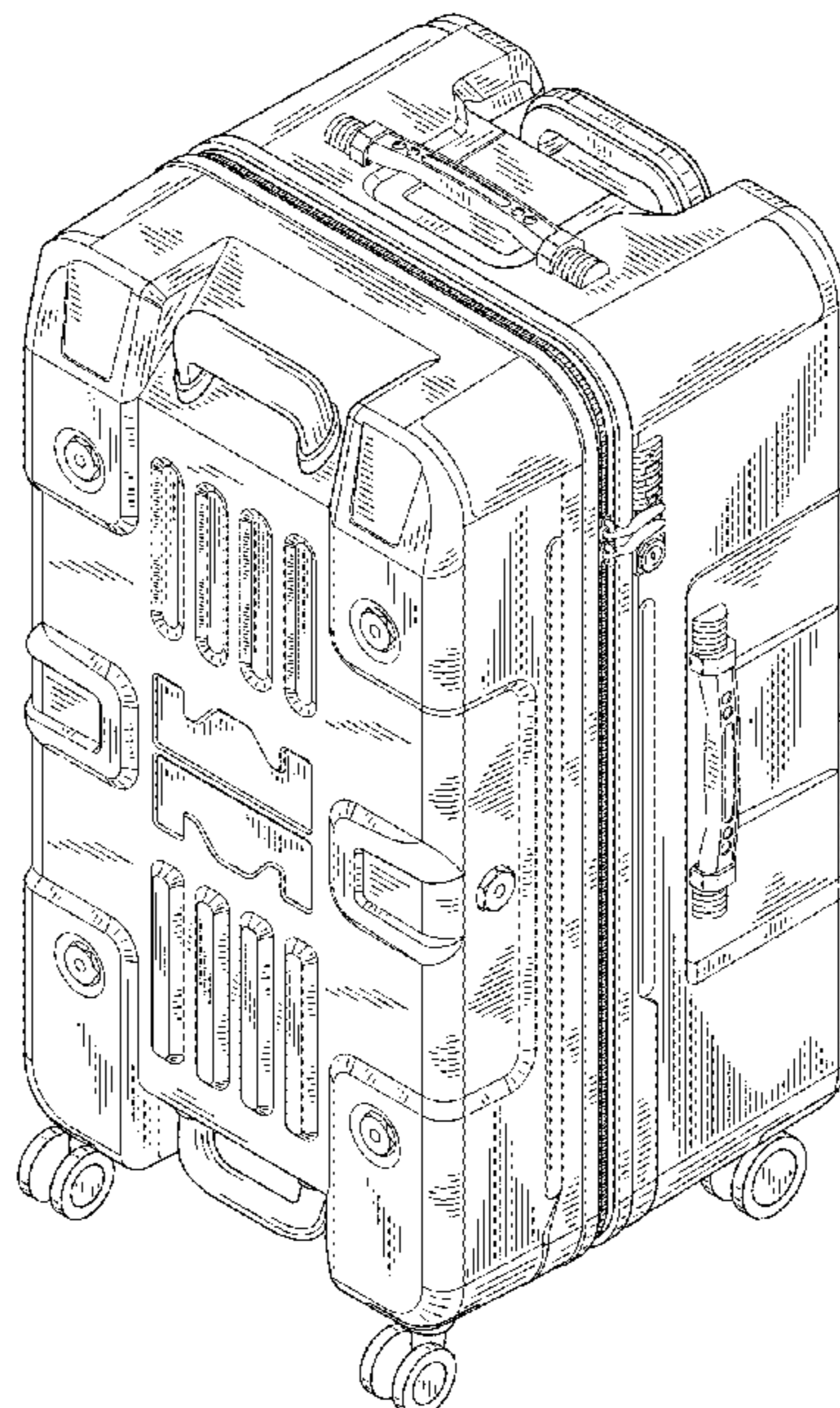
(57) **CLAIM**

The ornamental design for a suitcase, as shown and described.

DESCRIPTION

FIG. 1 is a front perspective view of a suitcase showing my new design;
FIG. 2 is a front elevational view thereof;
FIG. 3 is a rear elevational view thereof;
FIG. 4 is a left elevational view thereof;
FIG. 5 is a right elevational view thereof;
FIG. 6 is a top plan view thereof;
FIG. 7 is a bottom plan view thereof; and,
FIG. 8 is a bottom perspective view thereof.

1 Claim, 7 Drawing Sheets



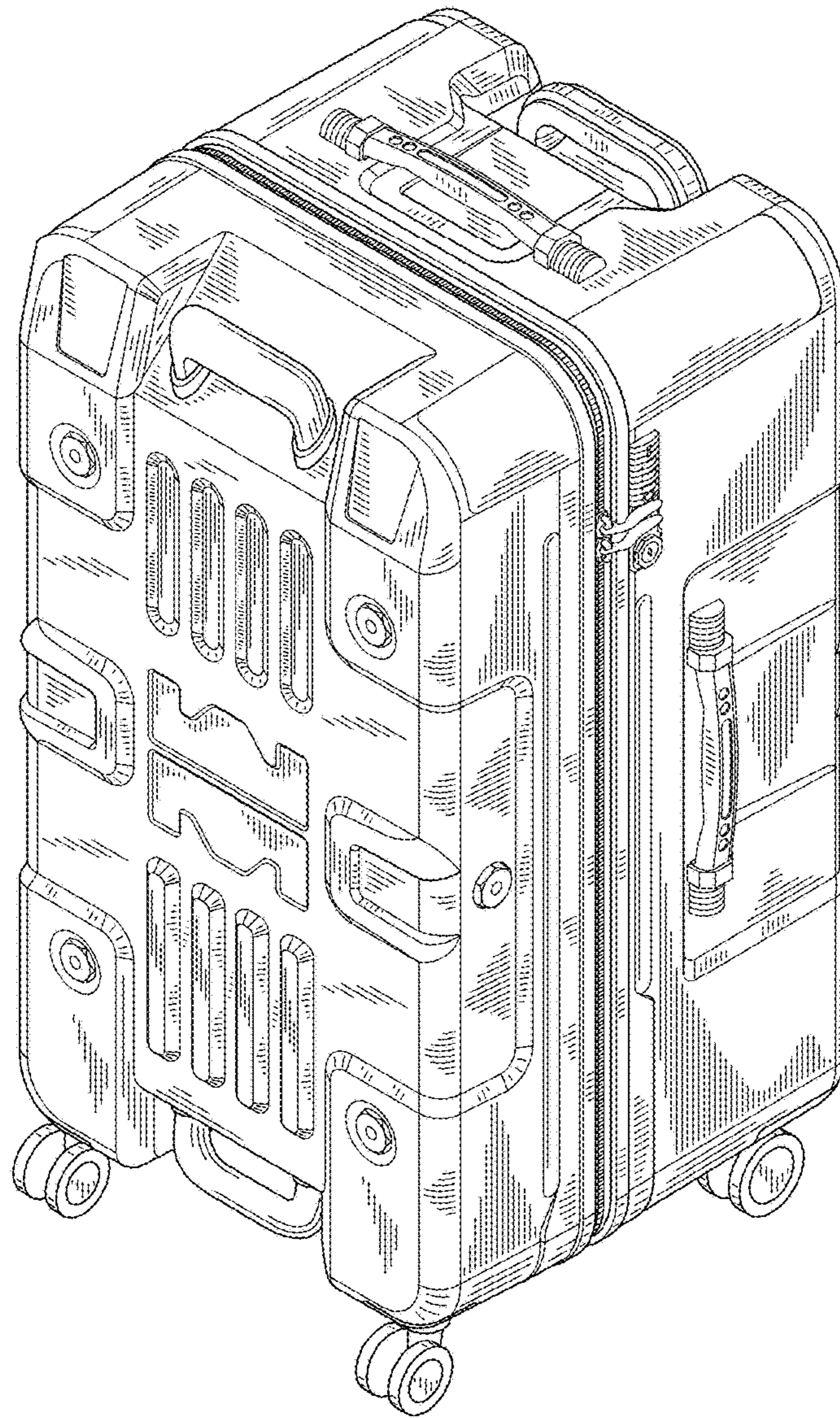


FIG. 1

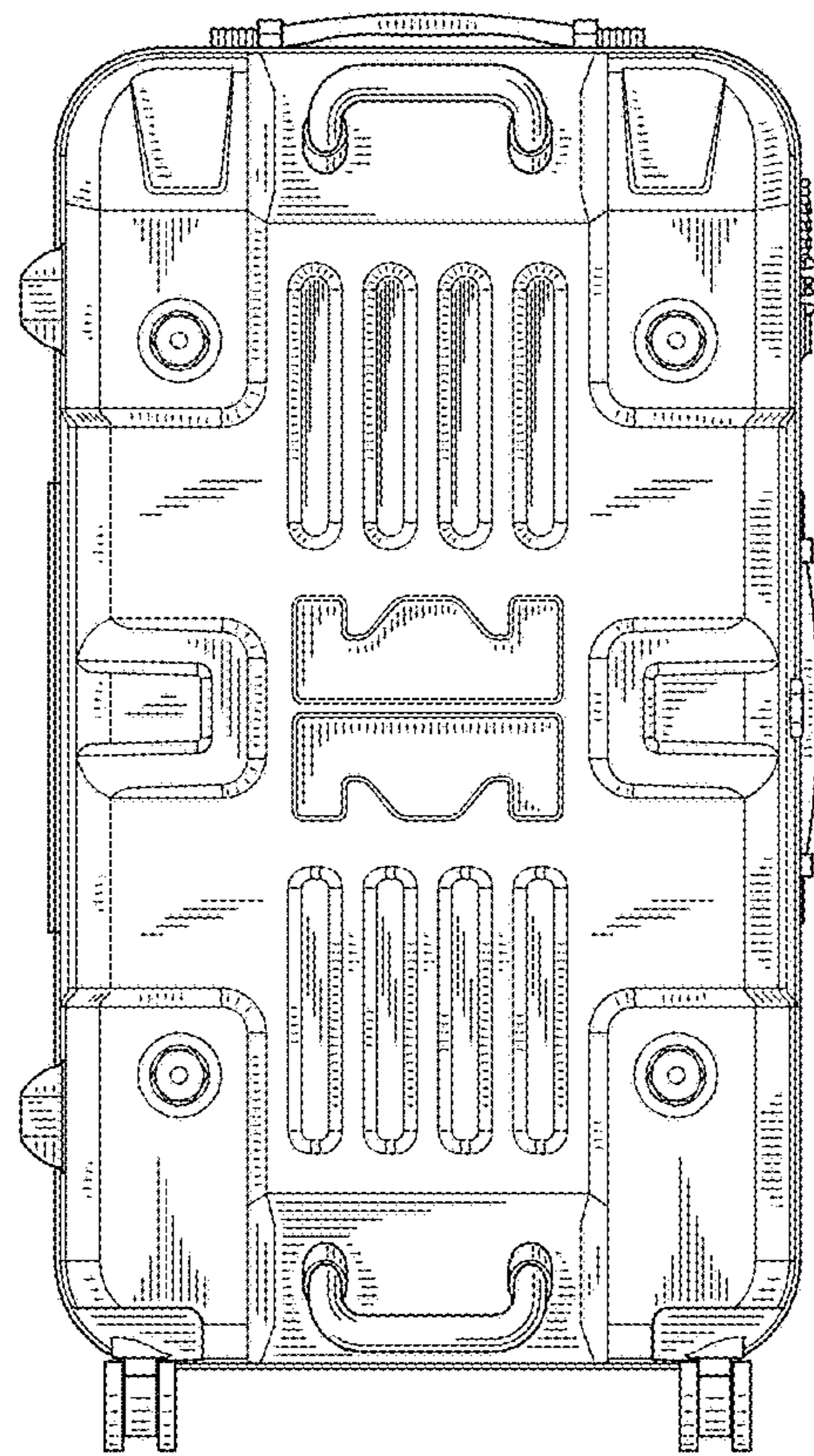


FIG. 2

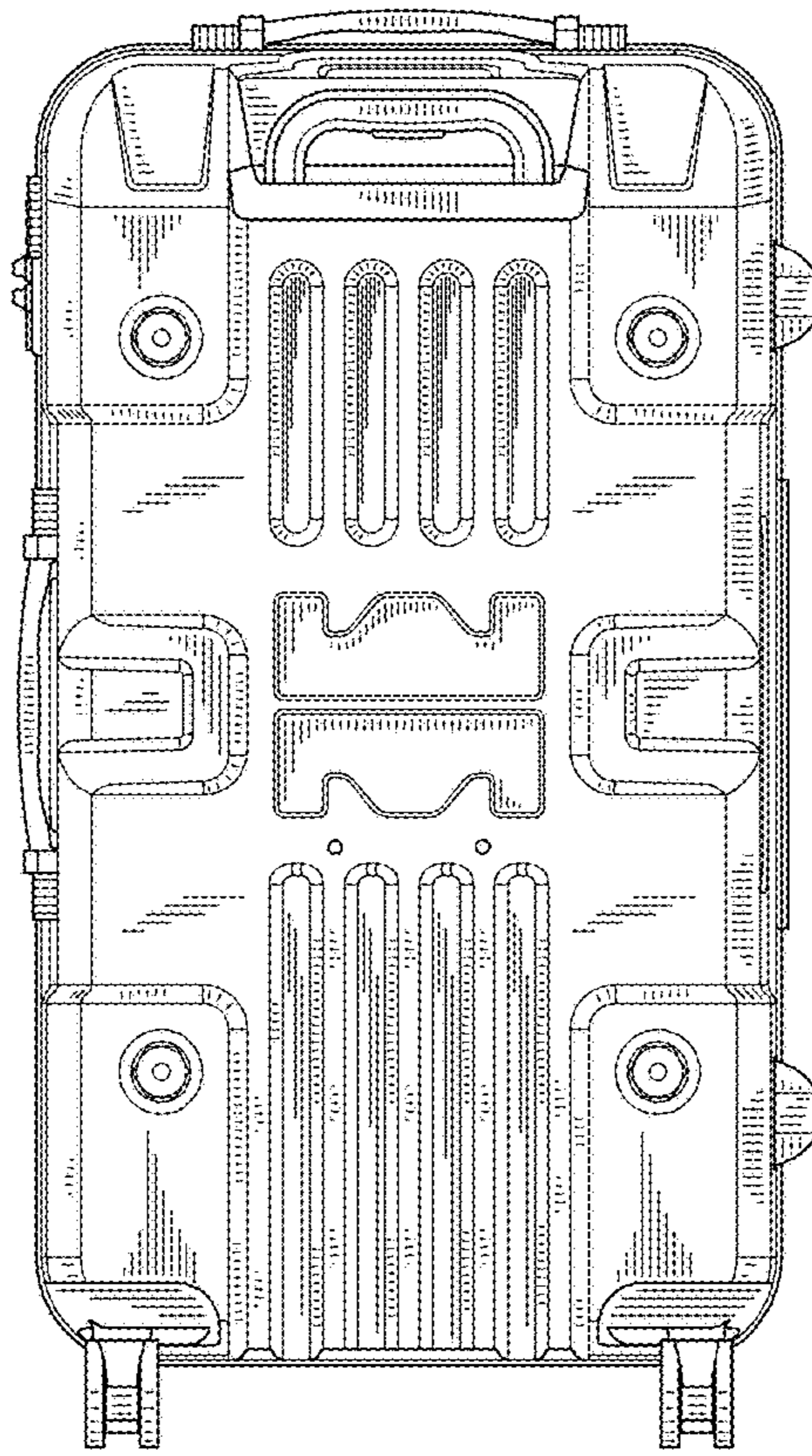


FIG. 3

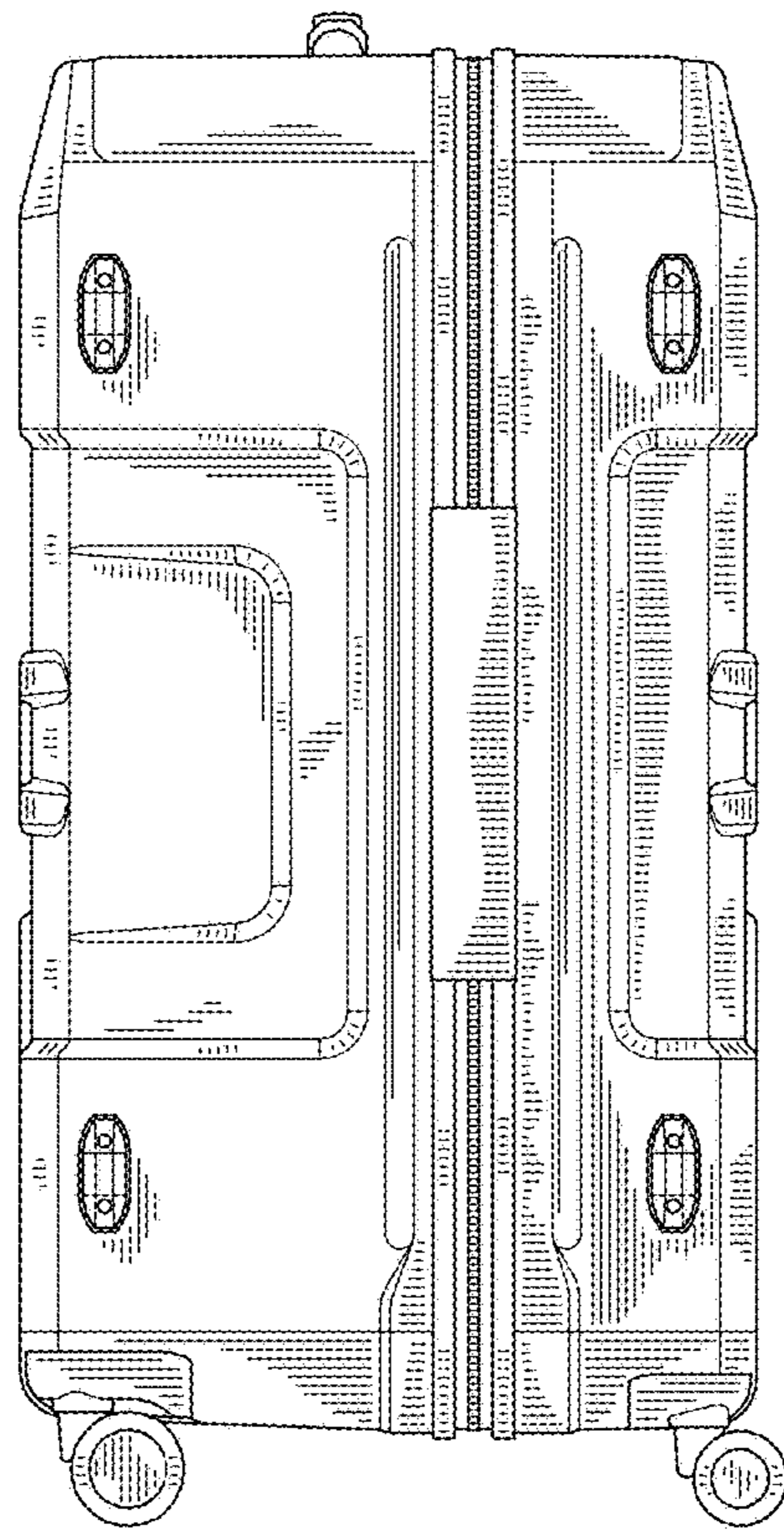


FIG. 4

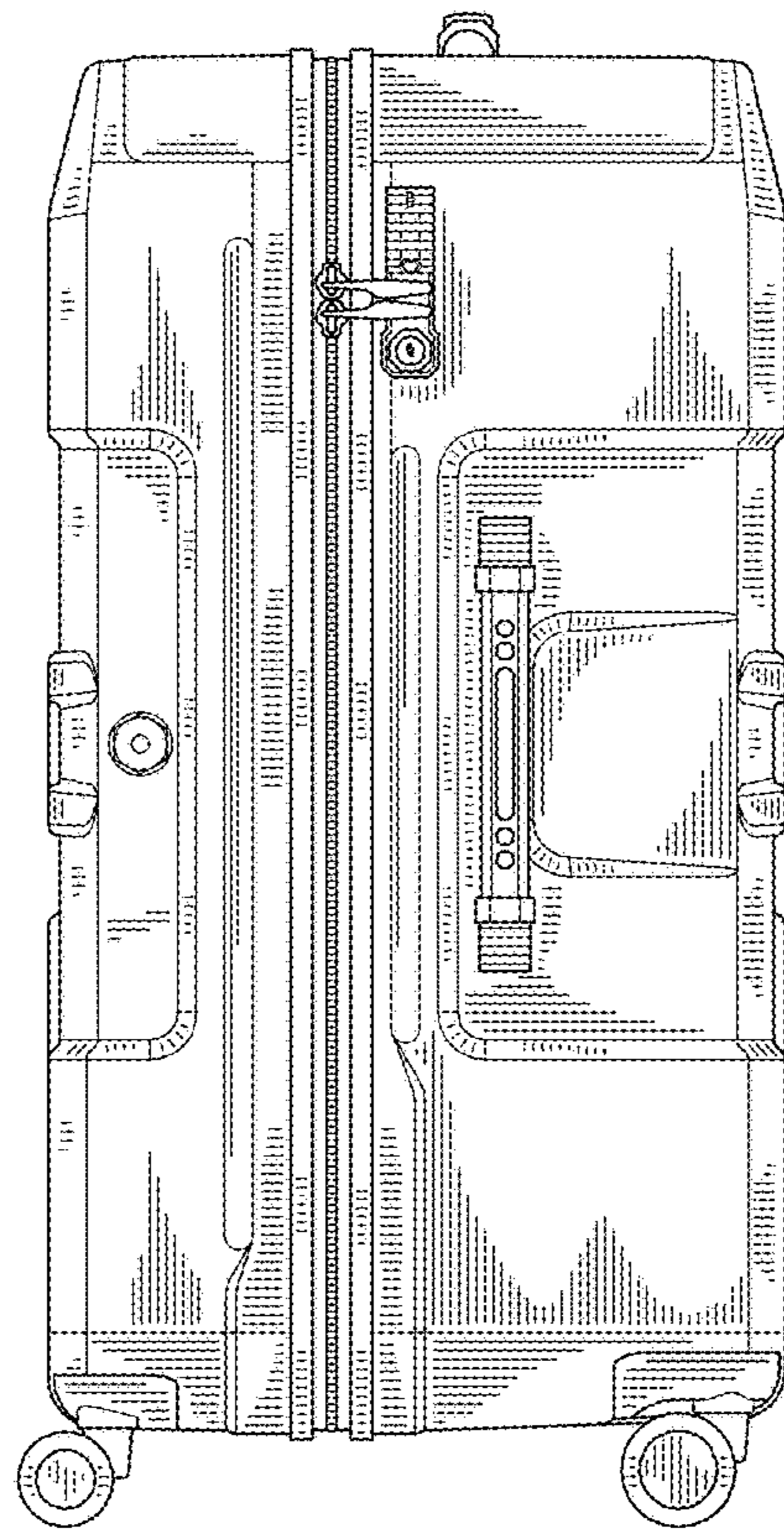


FIG. 5

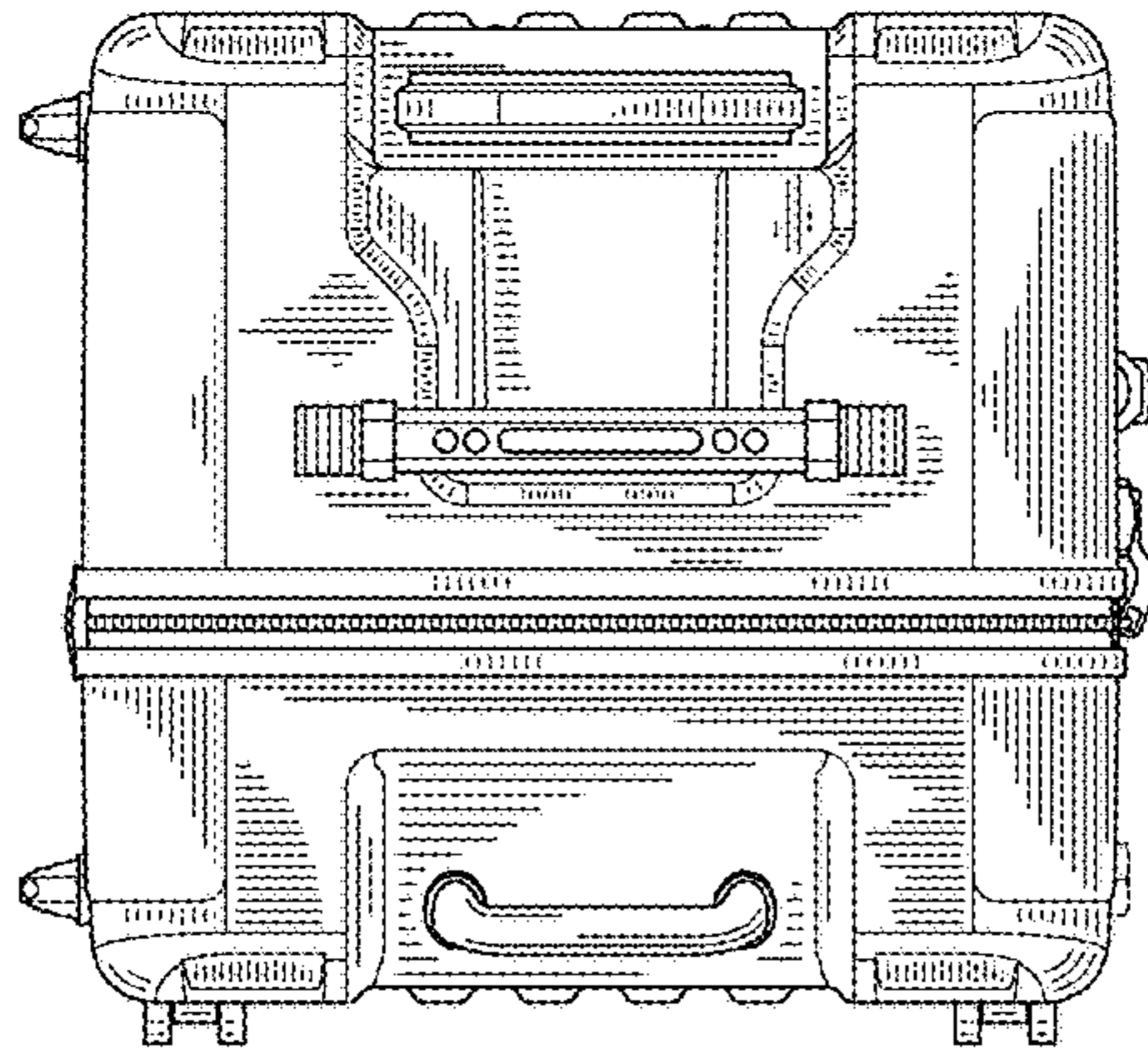


FIG. 6

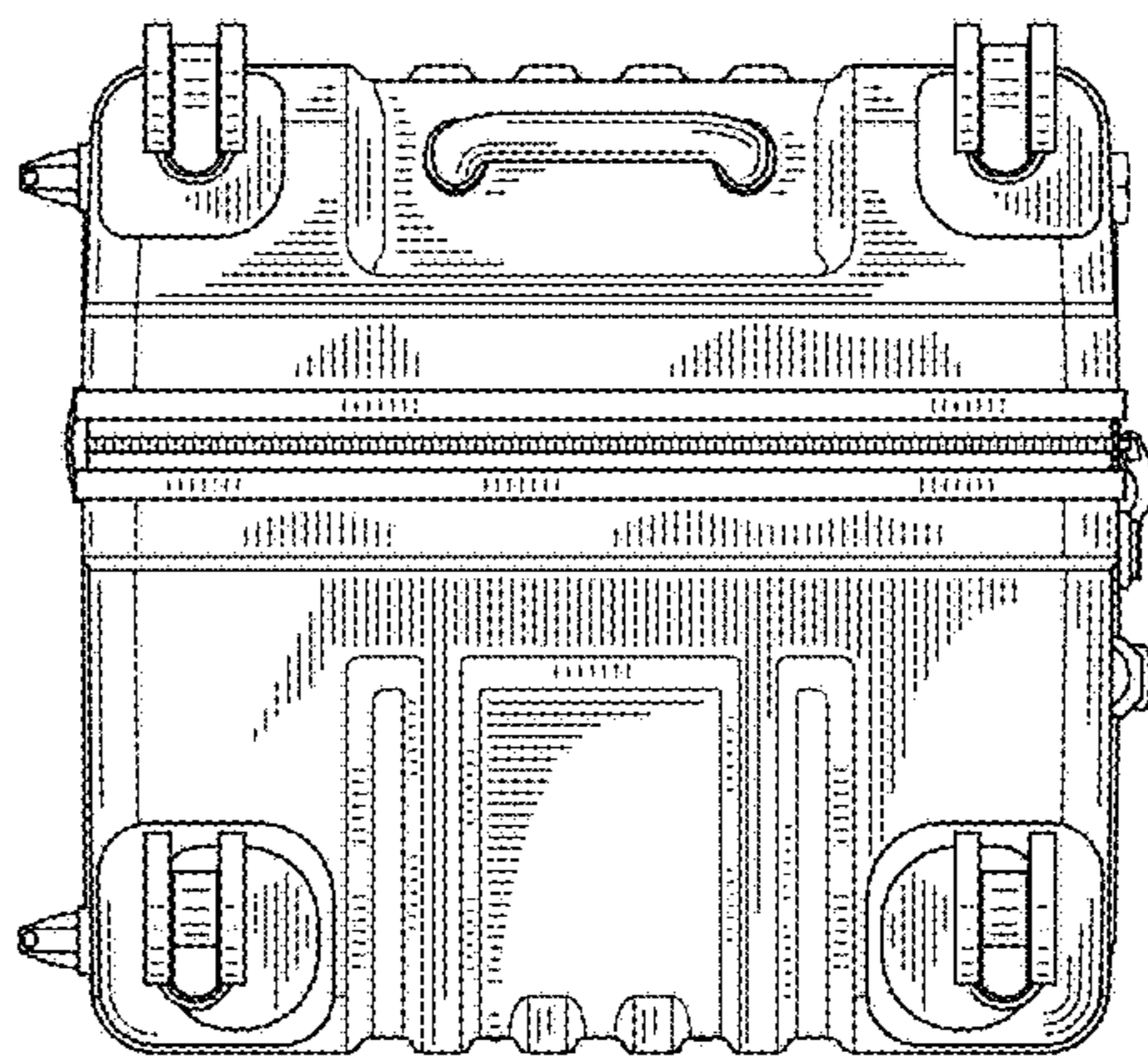


FIG. 7

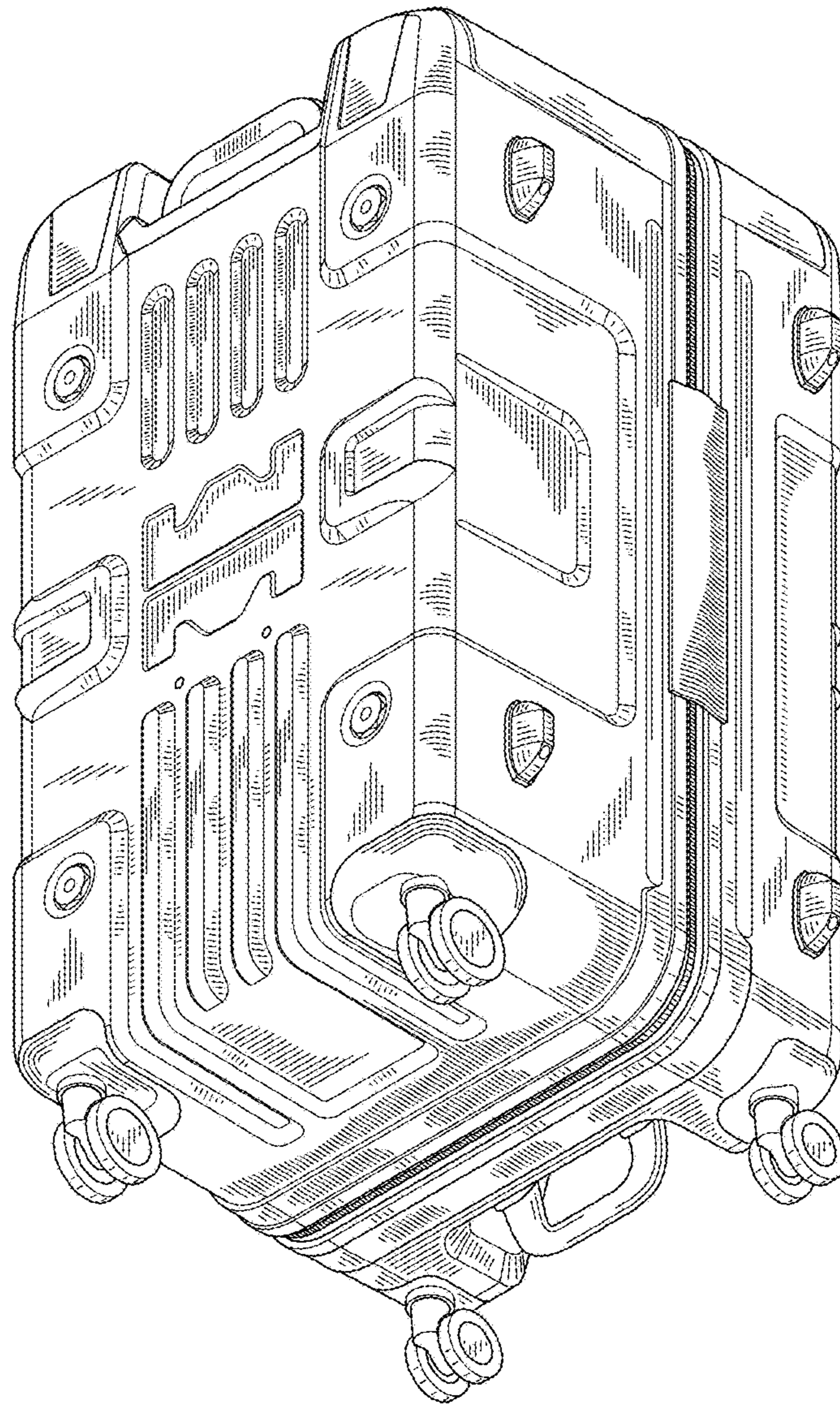


FIG. 8