



US00D873008S

(12) **United States Design Patent**  
**Feiglin Dzikowski et al.**

(10) **Patent No.:** **US D873,008 S**  
(45) **Date of Patent:** **\*\* Jan. 21, 2020**

(54) **SUITCASE**

D809,795 S \* 2/2018 Law ..... D3/279  
D832,576 S \* 11/2018 Schultz ..... D3/279  
2013/0264162 A1\* 10/2013 Kogelnik ..... A45C 5/03  
190/108

(71) Applicant: **SAMSARA LUGGAGE, INC.**,  
Hackensack, NJ (US)

(72) Inventors: **Atara Feiglin Dzikowski**, Kiryat Ono  
(IL); **David Dahan**, Kiryat Ono (IL)

(73) Assignee: **SAMSARA LUGGAGE, INC.**,  
Hackensack, NJ (US)

(\*\*) Term: **15 Years**

(21) Appl. No.: **29/619,885**

(22) Filed: **Oct. 3, 2017**

(30) **Foreign Application Priority Data**

Apr. 6, 2017 (IL) ..... 60249

(51) **LOC (12) Cl.** ..... **03-01**

(52) **U.S. Cl.**  
USPC ..... **D3/279**

(58) **Field of Classification Search**  
USPC ..... D3/273, 276, 279, 902, 321  
CPC ..... A45C 2003/008; A45C 3/02; A45C 5/00;  
A45C 5/03; A45C 5/14; A45C 2005/032;  
A45C 2005/035; A45C 2005/037  
See application file for complete search history.

(56) **References Cited**

**U.S. PATENT DOCUMENTS**

D285,145 S \* 8/1986 Hsieh ..... D3/279  
D375,199 S \* 11/1996 Stokes ..... D3/279  
D383,603 S \* 9/1997 Pedlar ..... D3/279  
D428,698 S \* 8/2000 Cheng ..... D3/276  
D462,169 S \* 9/2002 Giovanni ..... D3/279  
D517,316 S \* 3/2006 Tagliati ..... D3/273  
D581,667 S \* 12/2008 Yeh ..... D3/279  
D784,017 S \* 4/2017 Hsieh ..... D3/279

**FOREIGN PATENT DOCUMENTS**

CN 304734313 \* 6/2017  
CN 304965056 \* 7/2018

**OTHER PUBLICATIONS**

Kickstarter, "Samsara: The World's First Aluminum Smart Suitcase", First launched Jun. 5, 2017. (<https://www.kickstarter.com/projects/507175539/samsara-the-worlds-first-aluminum-smart-suitcase/>) (Year: 2017).\*

\* cited by examiner

*Primary Examiner* — April Rivas

(74) *Attorney, Agent, or Firm* — The Roy Gross Law Firm, LLC; Roy Gross

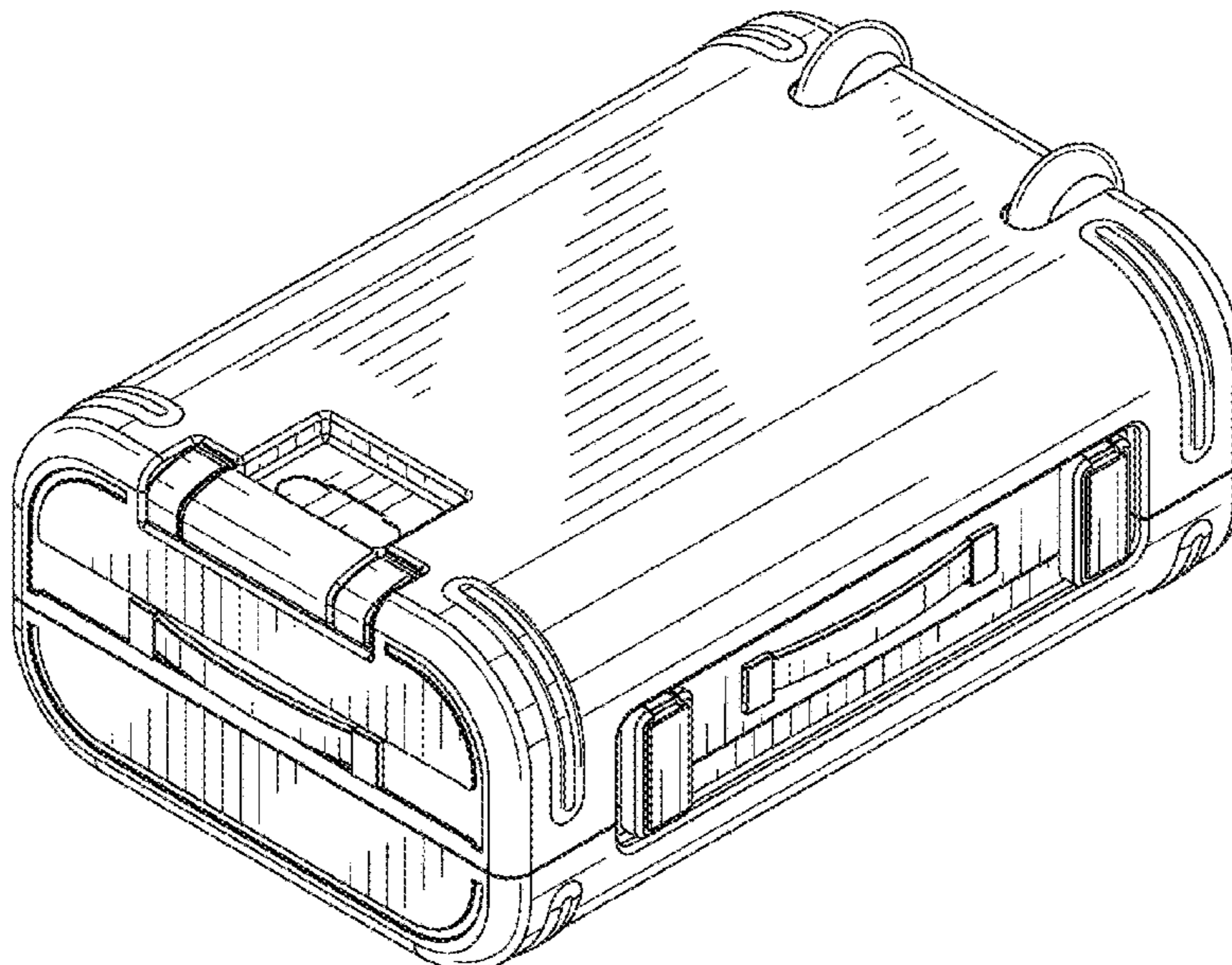
(57) **CLAIM**

The ornamental design for a suitcase, as shown and described.

**DESCRIPTION**

FIG. 1 is a right perspective view of a suitcase in accordance with the new design;  
FIG. 2 is a left perspective view thereof;  
FIG. 3 is a front view thereof;  
FIG. 4 is a back view thereof;  
FIG. 5 is a right side view thereof;  
FIG. 6 is a left side view thereof;  
FIG. 7 is a top view thereof; and,  
FIG. 8 is a bottom view thereof.  
The broken lines illustrate portions of the suitcase and form no part of the claimed design.

**1 Claim, 5 Drawing Sheets**



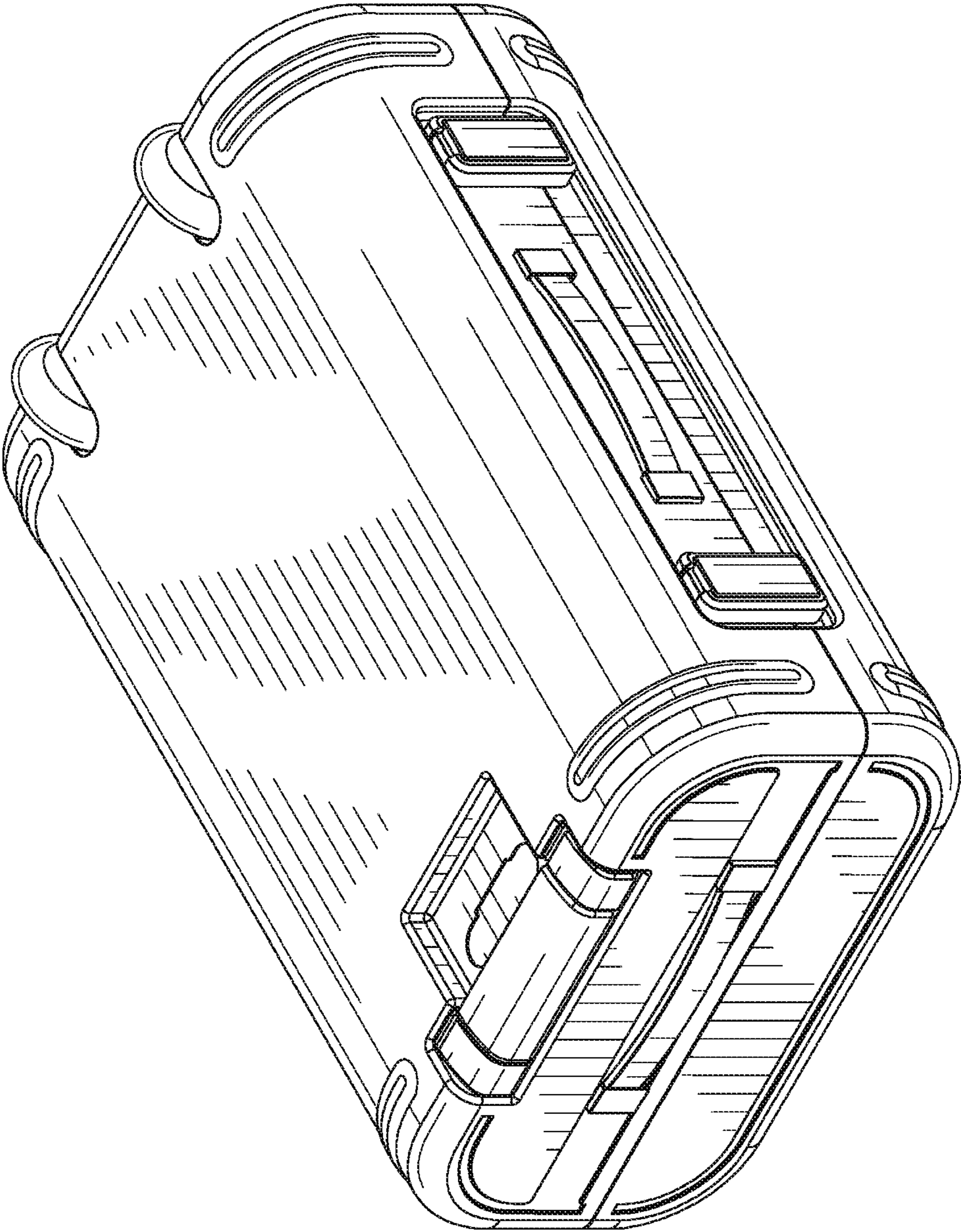


FIG.1

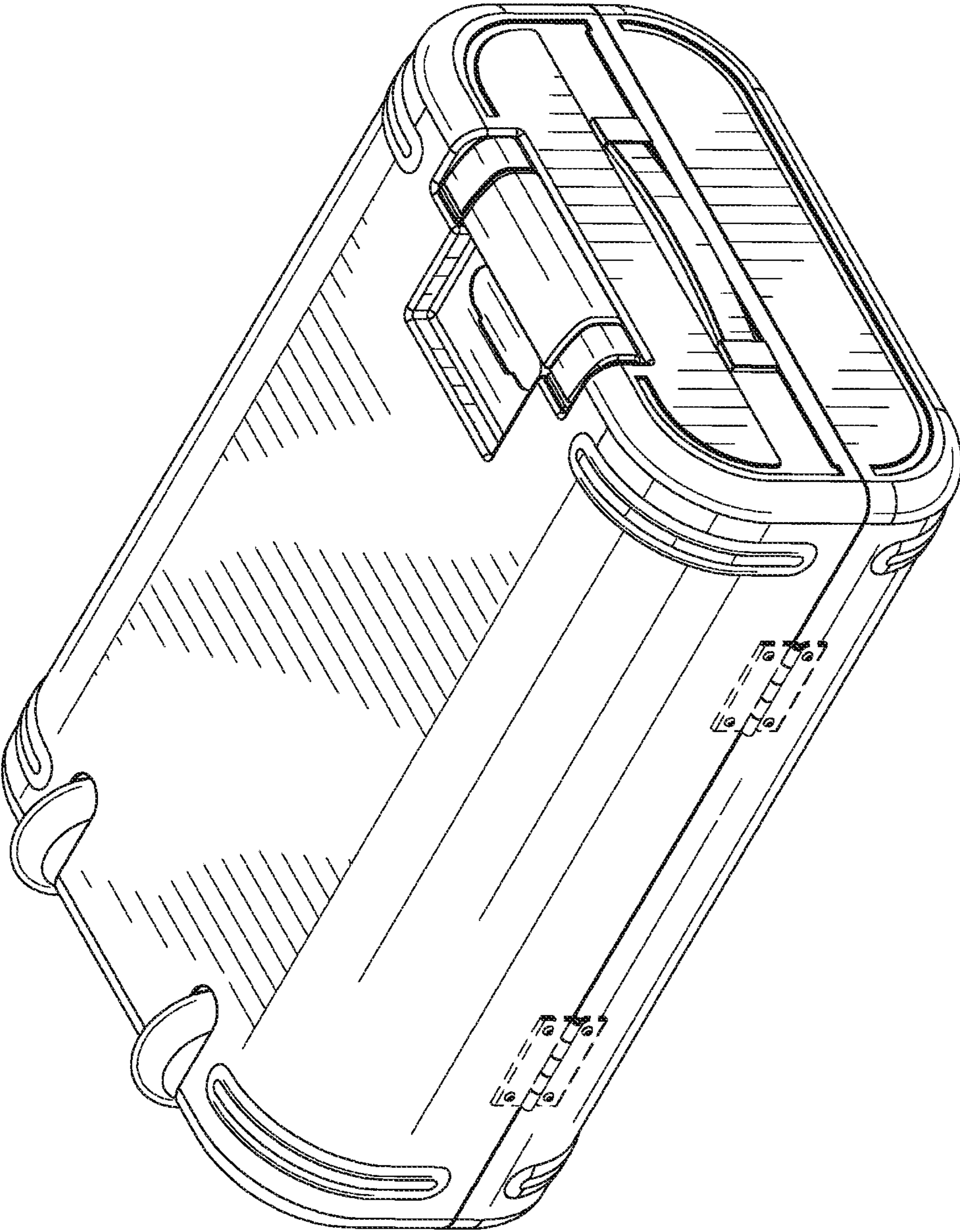


FIG. 2

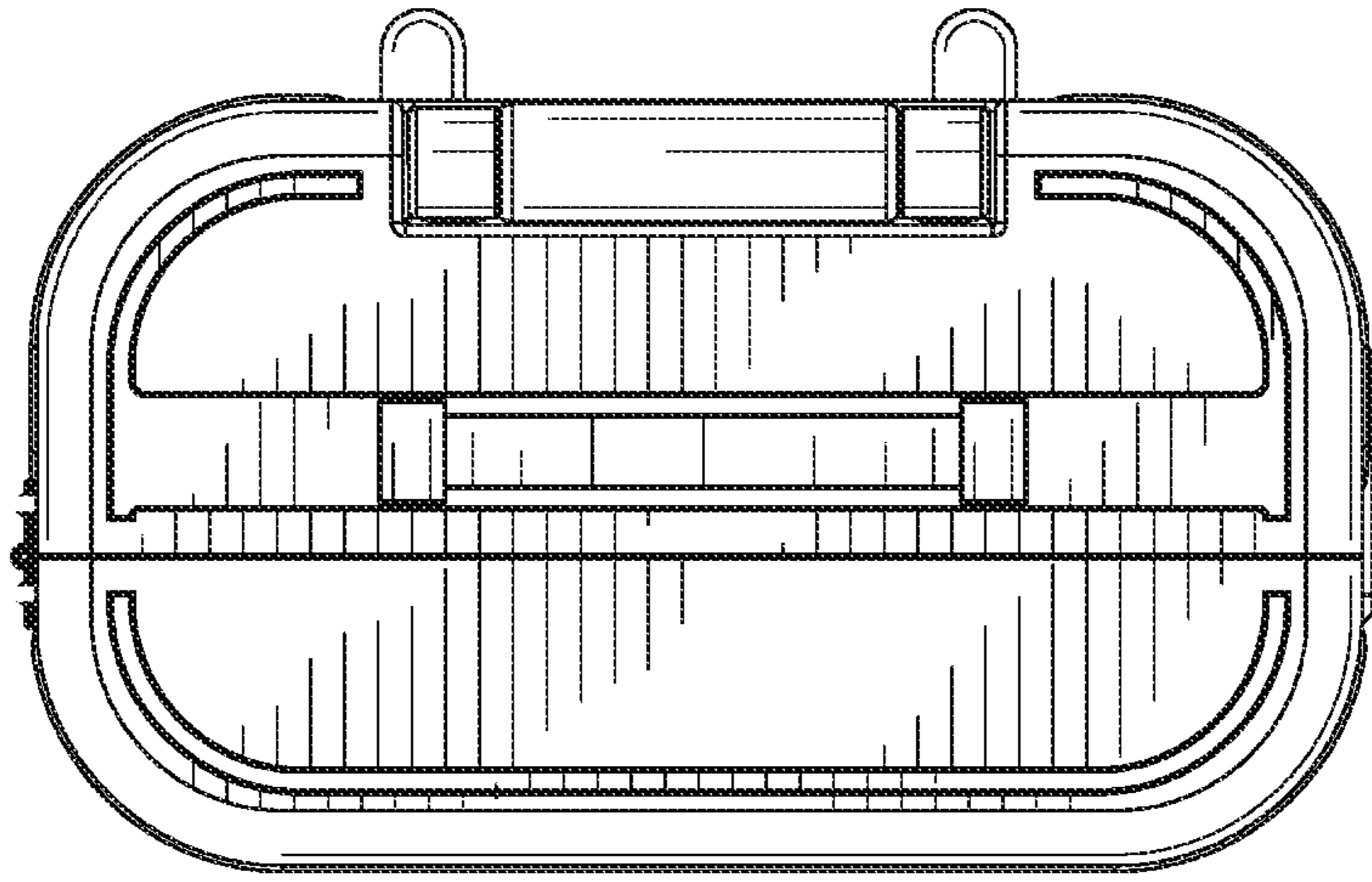


FIG.3

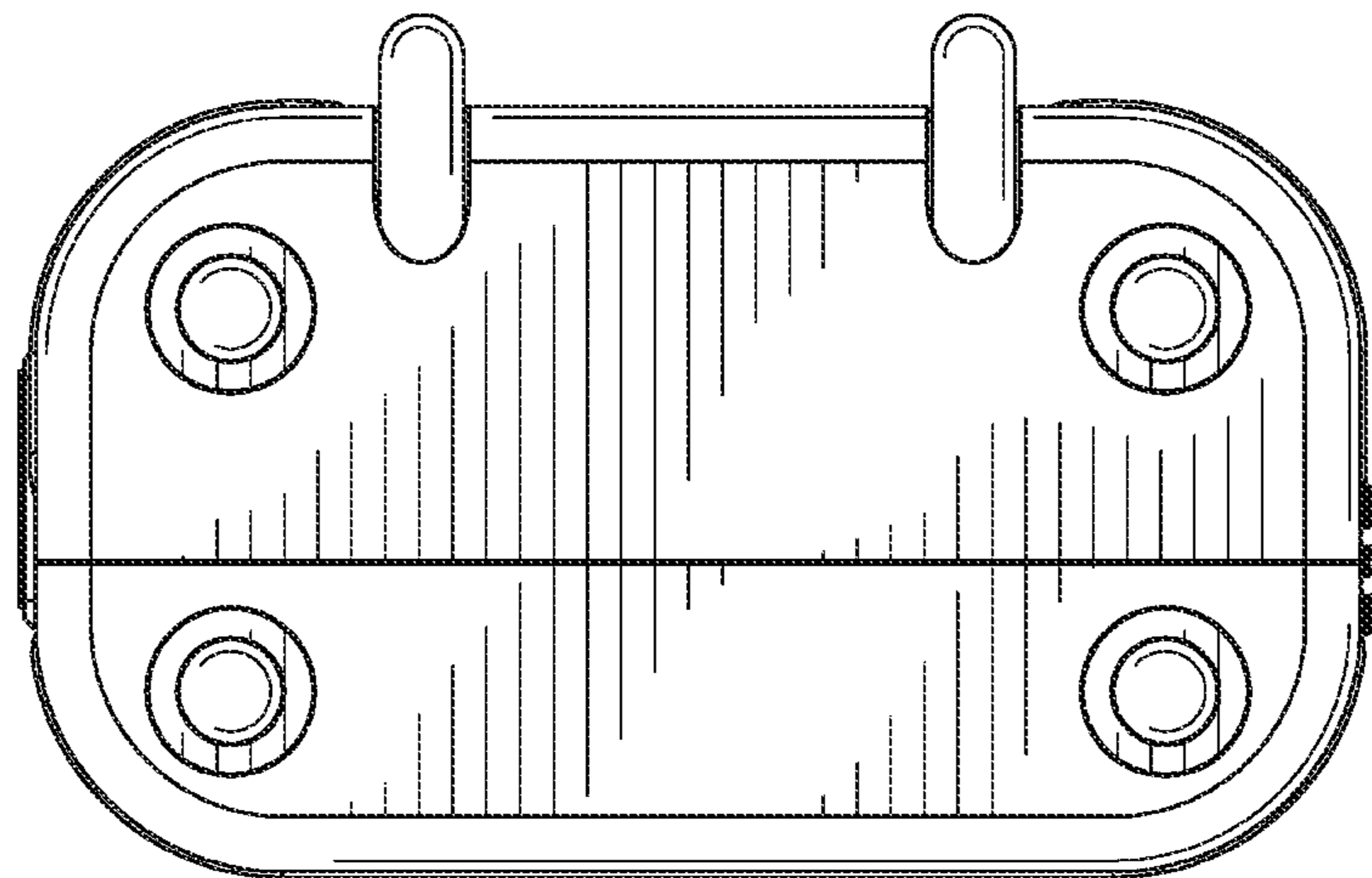


FIG.4

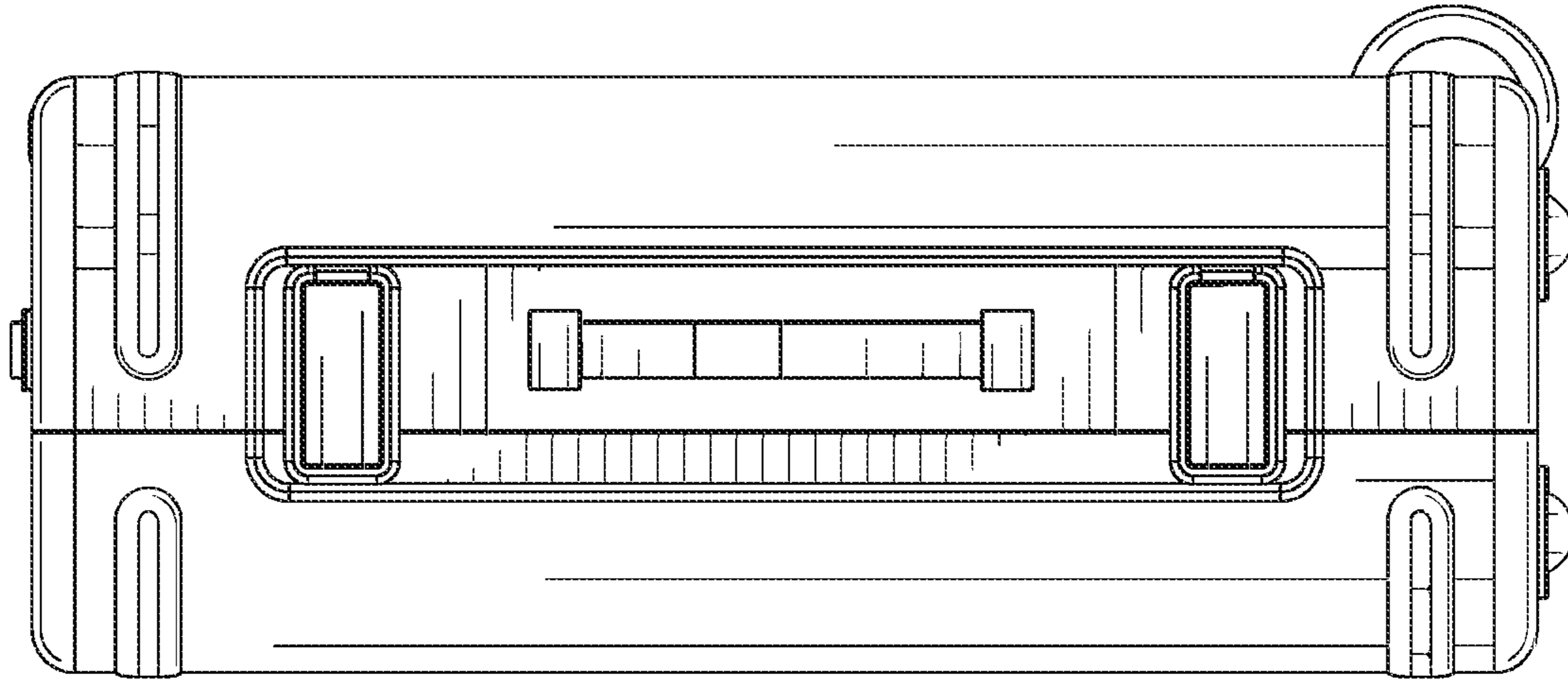


FIG. 5

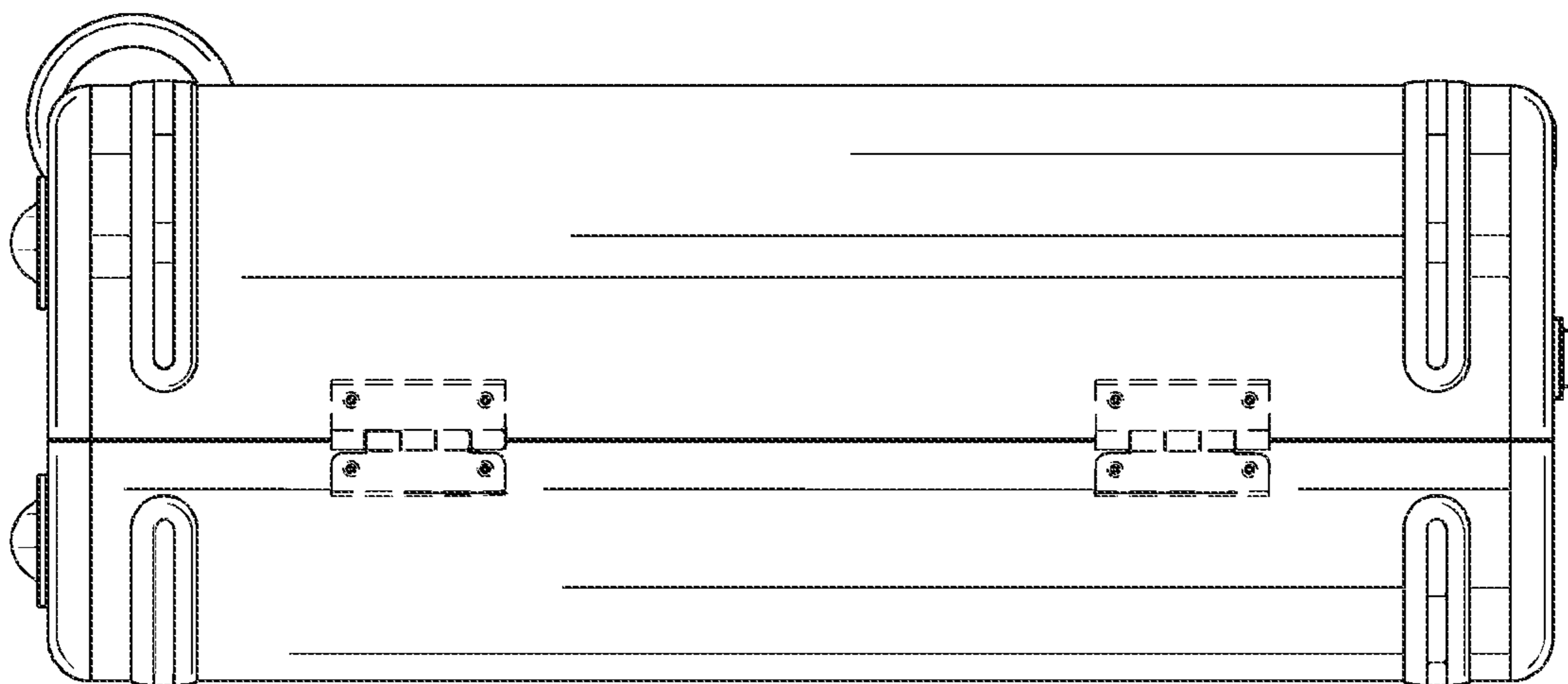


FIG. 6

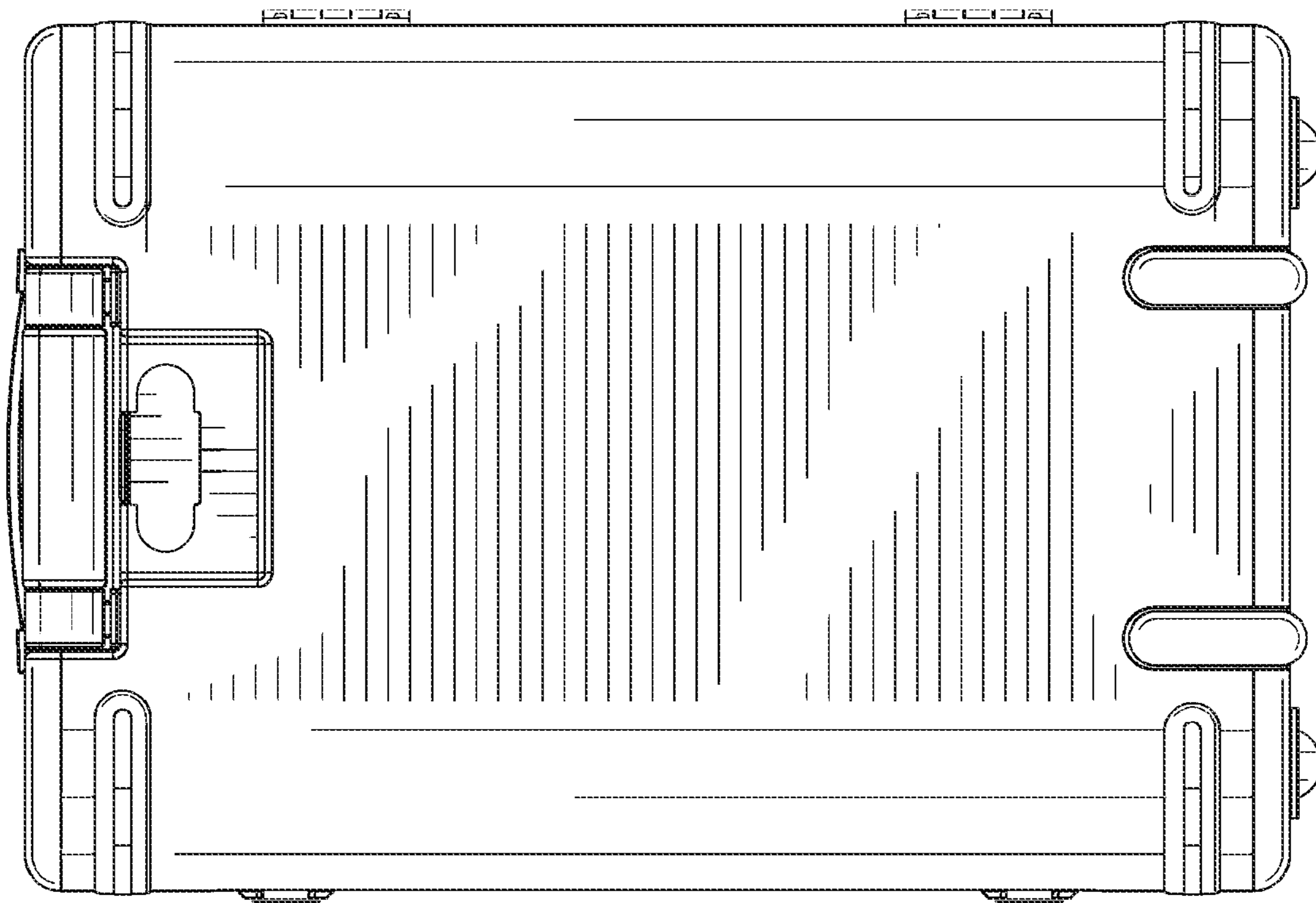


FIG. 7

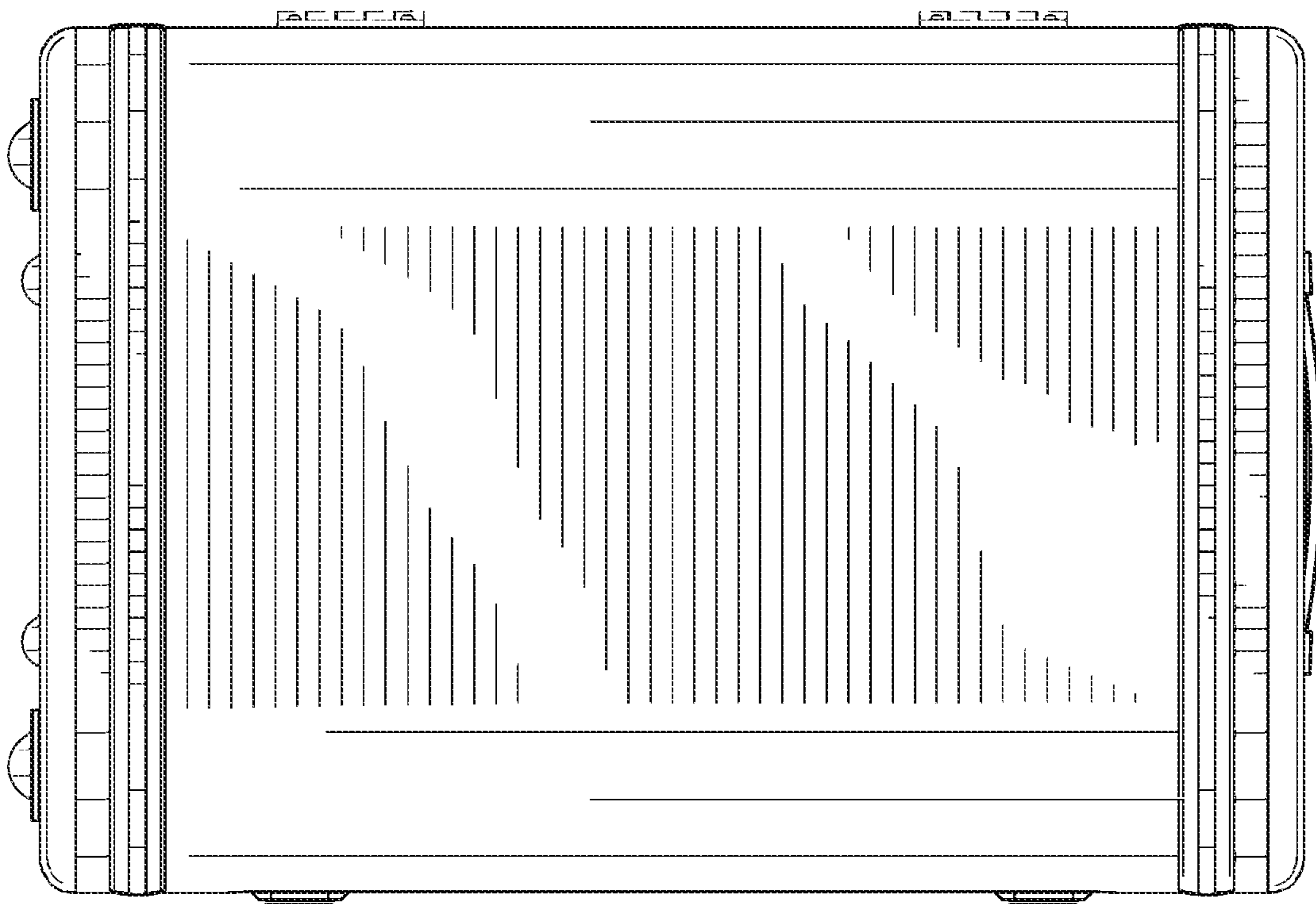


FIG. 8