



US00D873007S

(12) **United States Design Patent** (10) **Patent No.:** **US D873,007 S**
Tonelli (45) **Date of Patent:** **** Jan. 21, 2020**

(54) **TRUNK**

(74) *Attorney, Agent, or Firm* — Cantor Colburn LLP

(71) Applicant: **G.T. LINE S.R.L.**, Frazione Crespellano (IT)

(57) **CLAIM**

I claim, the ornamental design for a trunk, as shown and described.

(72) Inventor: **Massimo Tonelli**, Bologna (IT)

DESCRIPTION

(73) Assignee: **G.T. LINE S.R.L.**, Frazione Crespellano (IT)

(**) Term: **15 Years**

(21) Appl. No.: **29/609,001**

(22) Filed: **Jun. 27, 2017**

(30) **Foreign Application Priority Data**

Dec. 27, 2016 (EM) 003542364

(51) **LOC (12) Cl.** **03-01**

(52) **U.S. Cl.**
USPC **D3/279; D3/262; D3/905**

(58) **Field of Classification Search**
USPC D3/269, 272, 273, 274, 276, 277, 279,
D3/280, 281, 283, 284, 285, 289, 302,
D3/900, 902, 904, 905, 262

(Continued)

(56) **References Cited**

U.S. PATENT DOCUMENTS

D336,984 S * 7/1993 VanSkiver D3/262
D467,426 S * 12/2002 Hardigg D3/276

(Continued)

OTHER PUBLICATIONS

Explorer Cases, "Mod. 13513 GE", First Cached on Wayback Jul. 23, 2017. (<https://www.explorercases.com/en/products/13513/13513-ge-copolymer-polypropylene-waterproof-case/>) (Year: 2017).*

(Continued)

Primary Examiner — April Rivas

FIG. 1 is a front perspective view, taken from above, of a trunk showing my new design;
FIG. 2 is a front view thereof;
FIG. 3 is a rear view thereof;
FIG. 4 is a left side view thereof;
FIG. 5 is a right side view thereof;
FIG. 6 is a top view thereof;
FIG. 7 is a bottom view thereof;
FIG. 8 is a rear perspective view thereof, taken from below;
FIG. 9 is a front perspective view, taken from above, of the trunk in another embodiment;
FIG. 10 is a front view thereof;
FIG. 11 is a rear view thereof;
FIG. 12 is a left side view thereof;
FIG. 13 is a right side view thereof;
FIG. 14 is a top view thereof;
FIG. 15 is a bottom view thereof;
FIG. 16 is a rear perspective view thereof, taken from below;
FIG. 17 is a front perspective view, taken from above, of the trunk in another embodiment;
FIG. 18 is a front view thereof;
FIG. 19 is a rear view thereof;
FIG. 20 is a left side view thereof;
FIG. 21 is a right side view thereof;
FIG. 22 is a top view thereof;
FIG. 23 is a bottom view thereof;
FIG. 24 is a rear perspective view thereof, taken from below;
FIG. 25 is a front perspective view, taken from above, of the trunk in another embodiment;
FIG. 26 is a front view thereof;
FIG. 27 is a rear view thereof;
FIG. 28 is a left side view thereof;
FIG. 29 is a right side view thereof;
FIG. 30 is a top view thereof;
FIG. 31 is a bottom view thereof;
FIG. 32 is a rear perspective view thereof, taken from below;

(Continued)

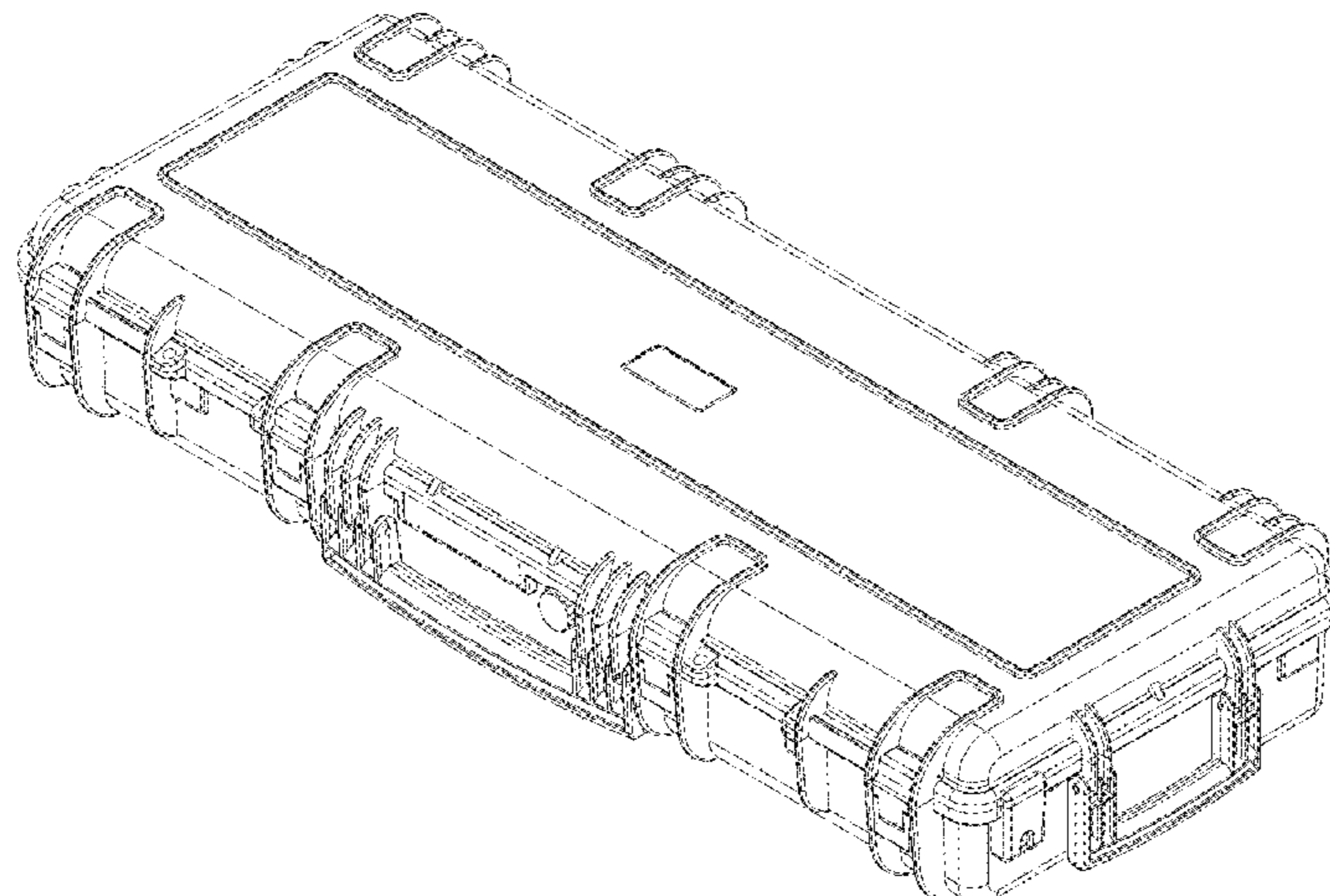


FIG. 33 is a front perspective view, taken from above, of the trunk in another embodiment; (56)
 FIG. 34 is a front view thereof;
 FIG. 35 is a rear view thereof;
 FIG. 36 is a left side view thereof;
 FIG. 37 is a right side view thereof;
 FIG. 38 is a top view thereof;
 FIG. 39 is a bottom view thereof; and,
 FIG. 40 is a rear perspective view thereof, taken from below.
 The broken lines illustrate portions of the trunk and form no part of the claimed design.

1 Claim, 40 Drawing Sheets

(58) **Field of Classification Search**

CPC . B25H 3/00; B25H 3/02; B25H 3/003; B25H 3/006; B25H 3/021; B25H 3/022; B25H 3/025; A45C 5/00; A45C 5/005; A45C 5/03; A45C 2005/037; A45C 5/08; A45C 2005/10

See application file for complete search history.

References Cited

U.S. PATENT DOCUMENTS

D482,529	S	*	11/2003	Hardigg	D3/276
D520,237	S	*	5/2006	Cheng	D3/276
D607,207	S	*	1/2010	Horiyama	D3/279
D719,352	S	*	12/2014	Shitrit	D3/282
D727,620	S	*	4/2015	Tonelli	D3/276
D773,817	S	*	12/2016	Hower	D3/282
D779,822	S	*	2/2017	Grenier	D3/279
D810,433	S	*	2/2018	Ballou	D3/276
D815,831	S	*	4/2018	Tonelli	D3/279
D831,350	S	*	10/2018	Tonelli	D3/262
D833,743	S	*	11/2018	Tonelli	D3/279
2006/0278485	A1	*	12/2006	Tonelli	A45F 3/14 190/116

OTHER PUBLICATIONS

Explorer Cases, "Mod. 13513 B", First cached on Wayback Jul. 16, 2017. (<https://www.explorercases.com/en/products/13513/13513-b-copolymer-polypropylene-waterproof-case/>) (Year: 2017).*

* cited by examiner

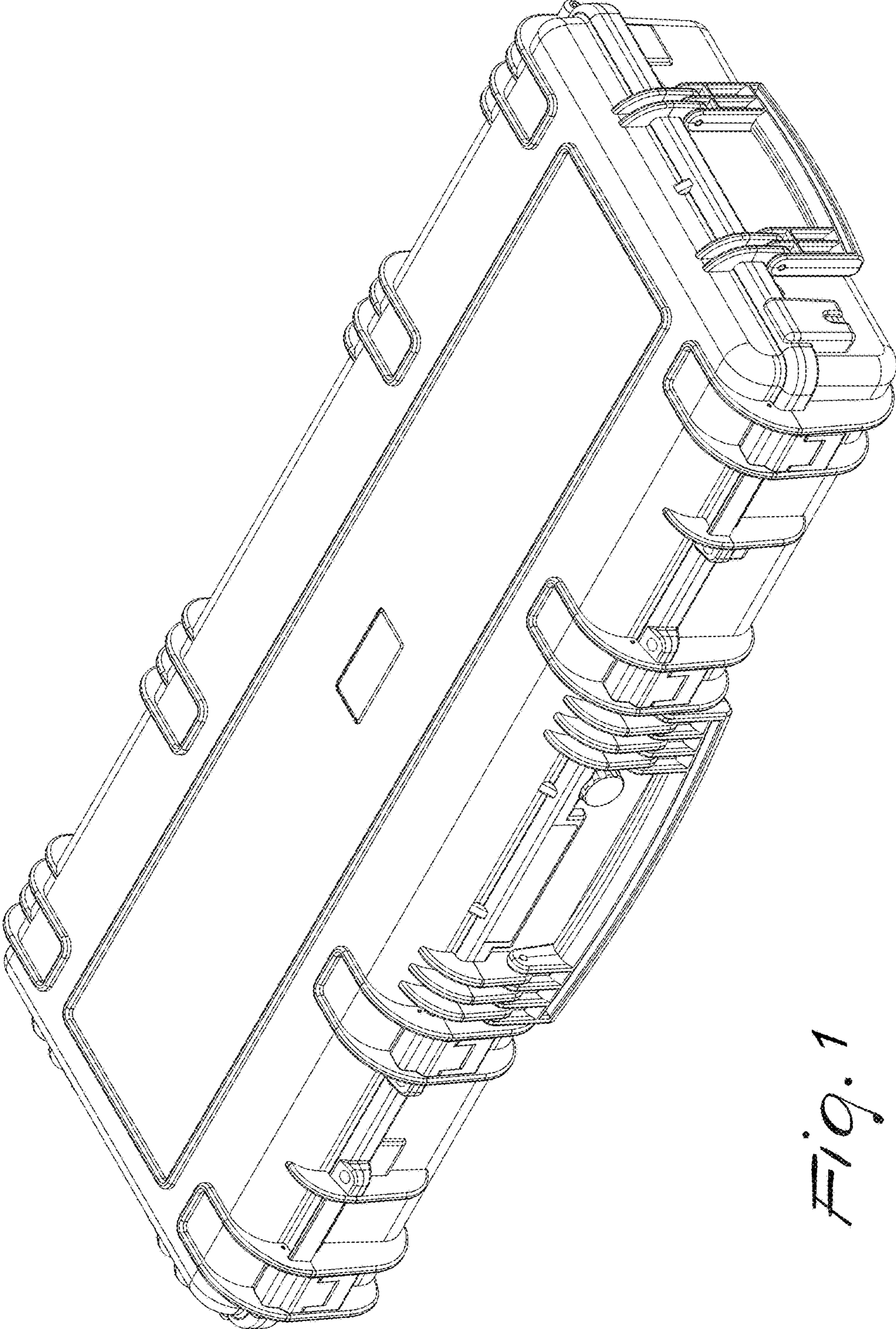


Fig. 1

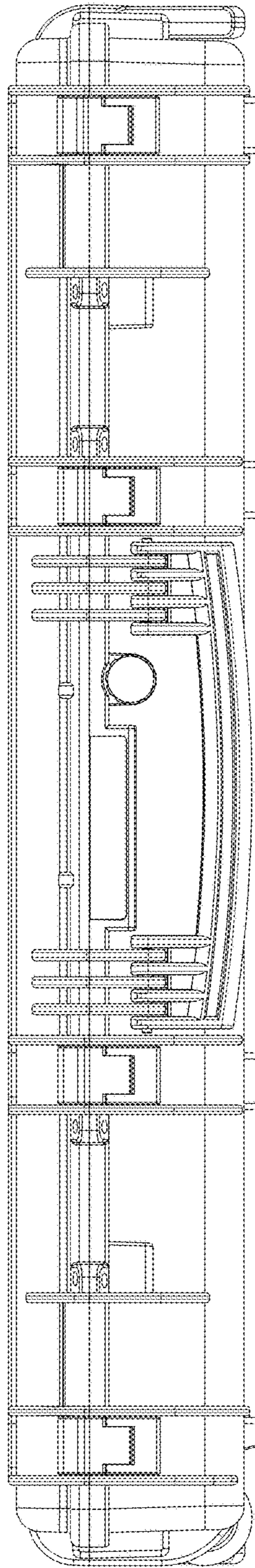


Fig. 2

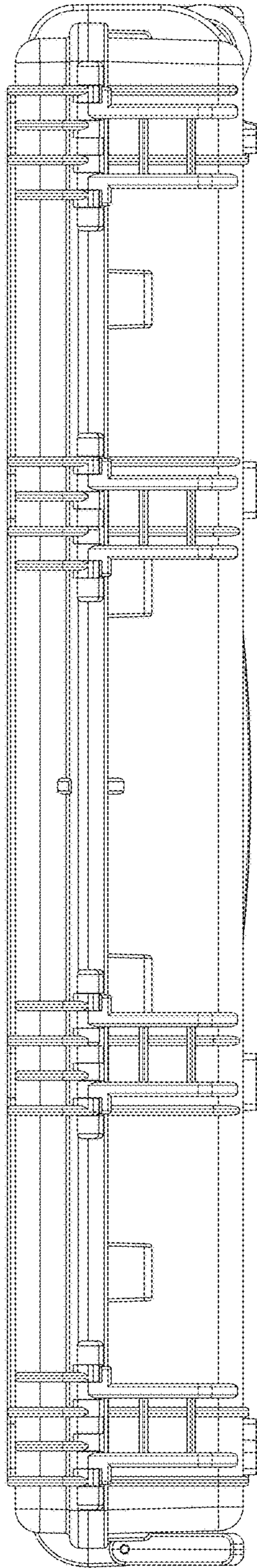


Fig. 3

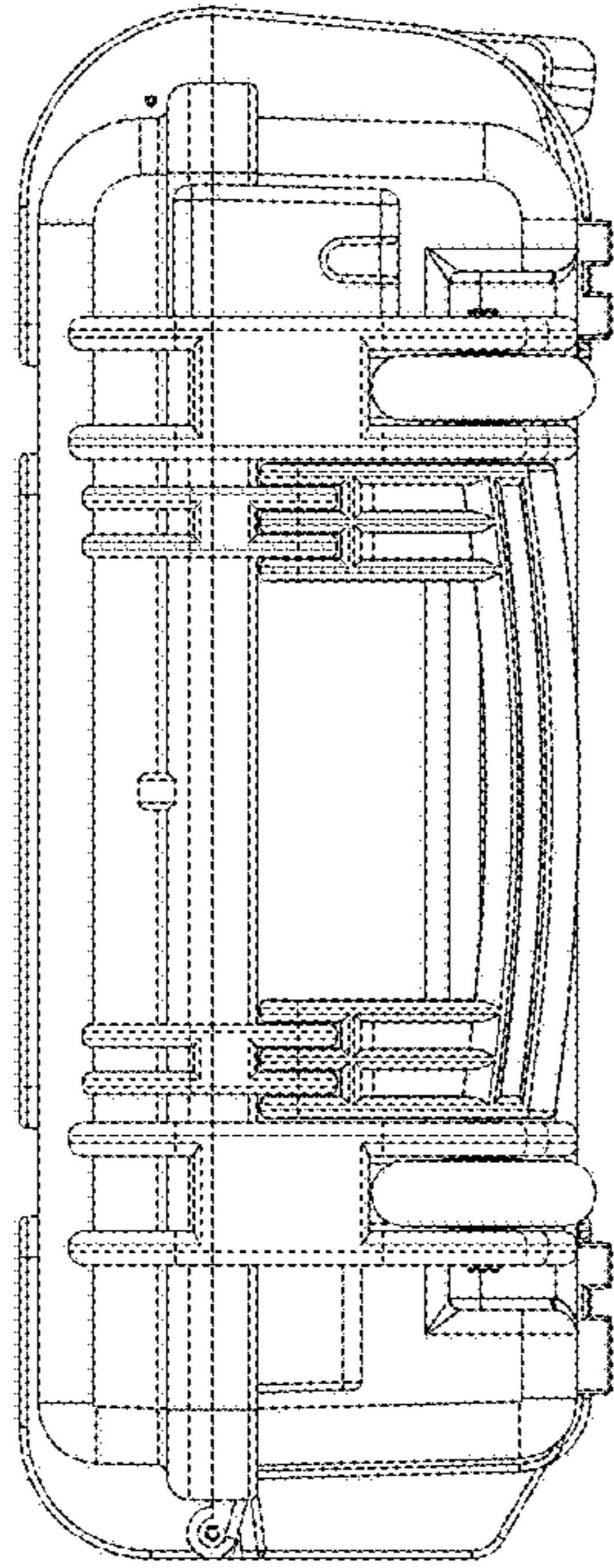


Fig. 4

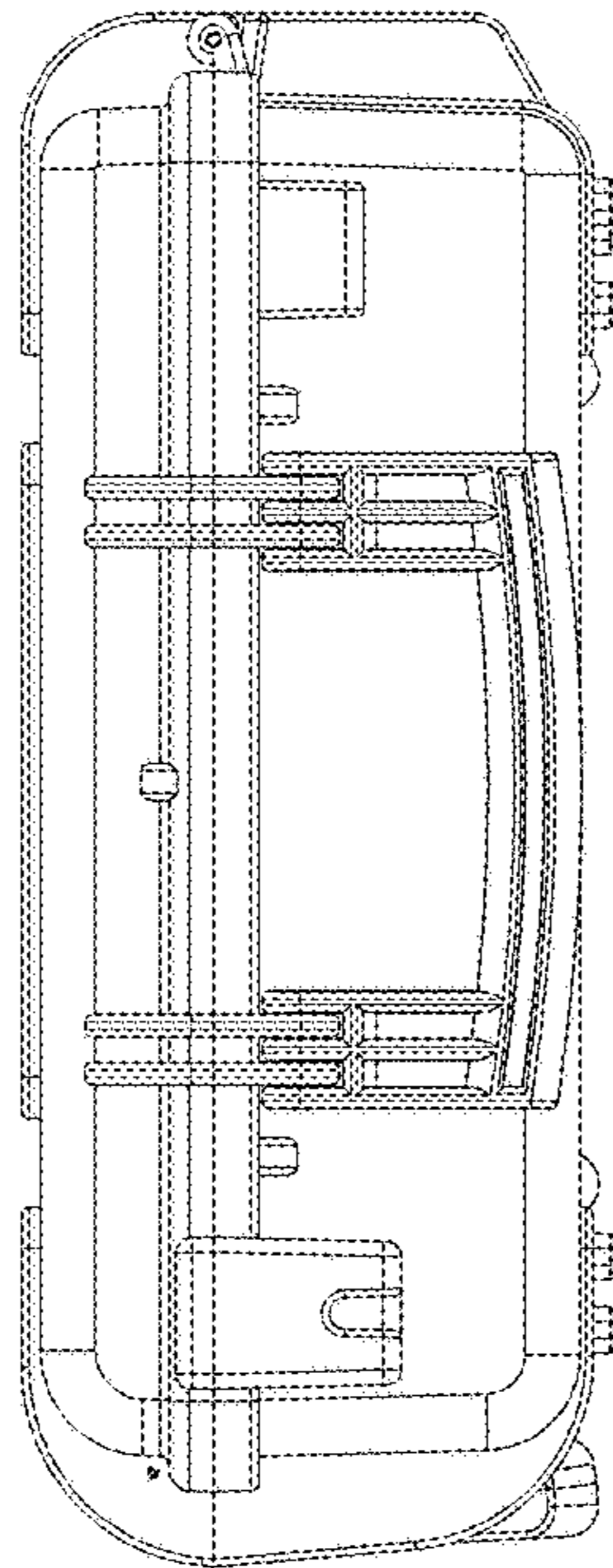


Fig. 5

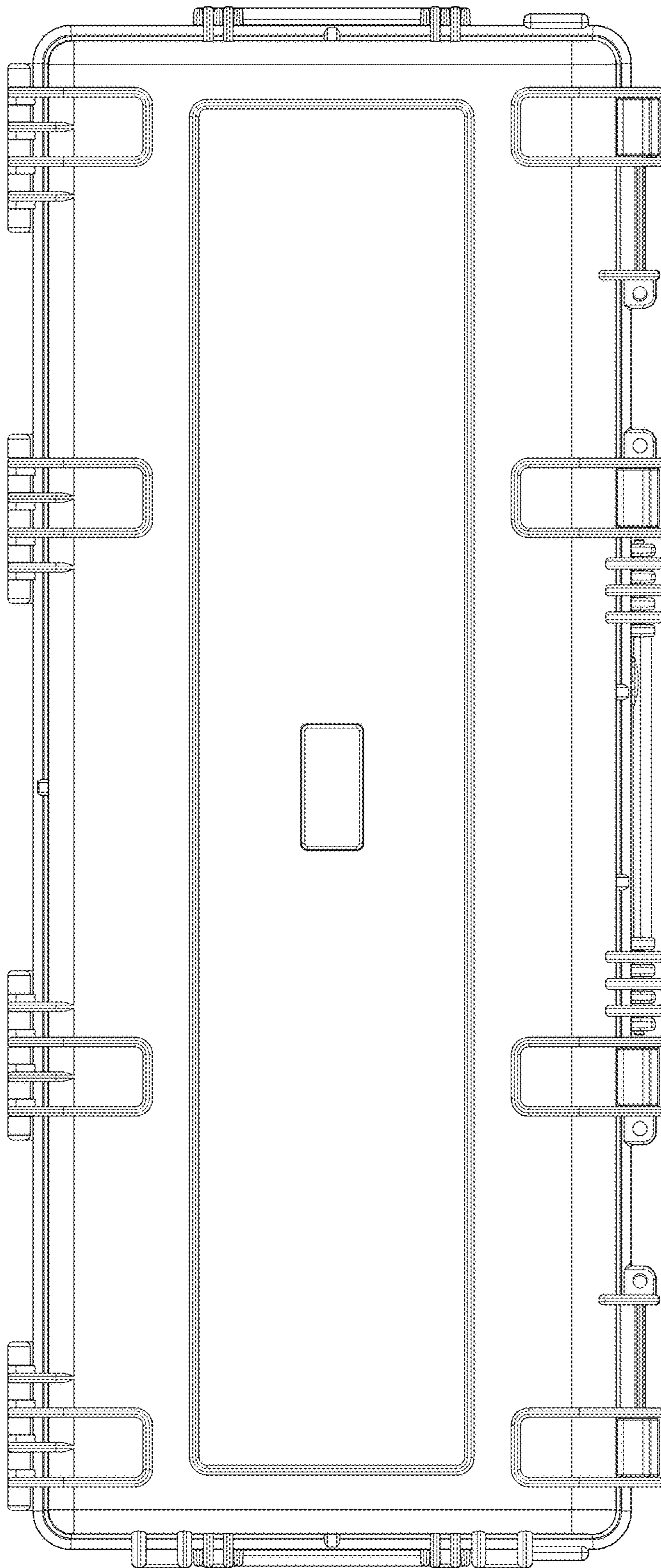


Fig. 6

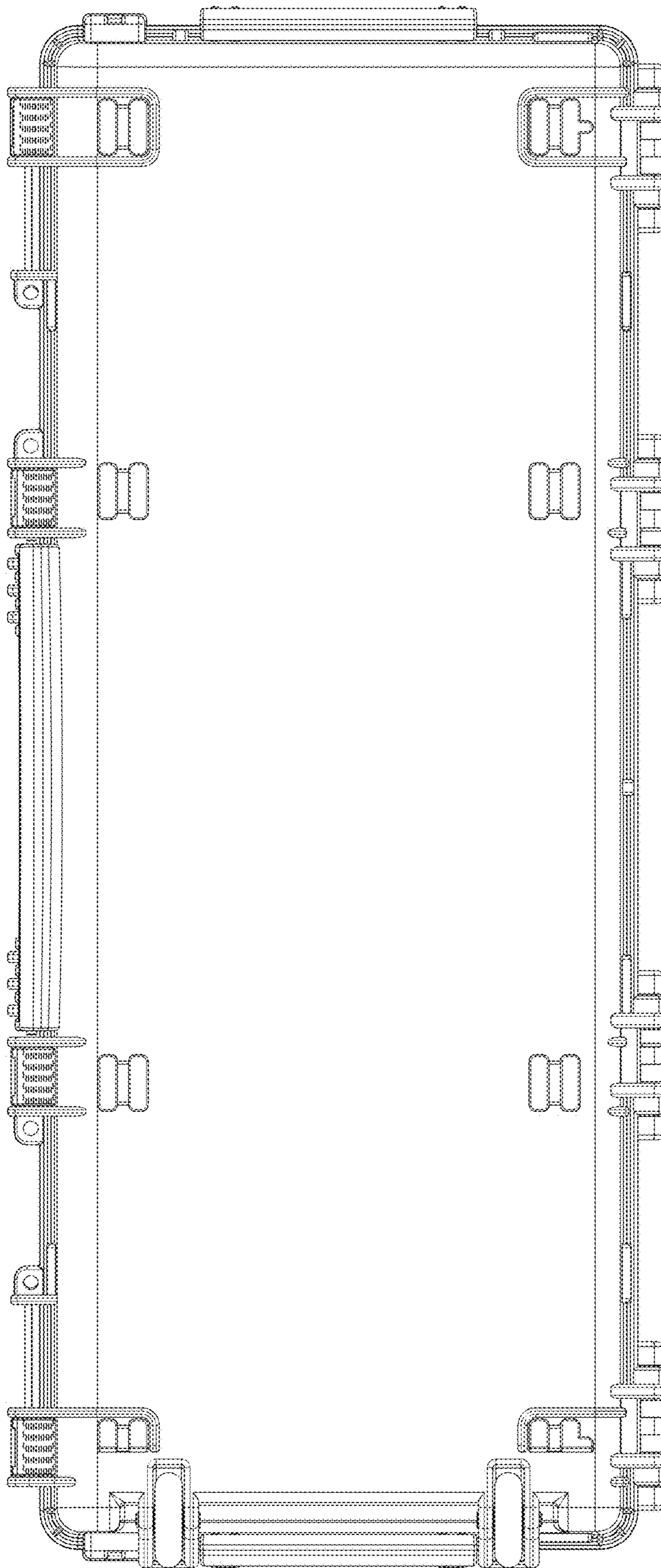


Fig. 7

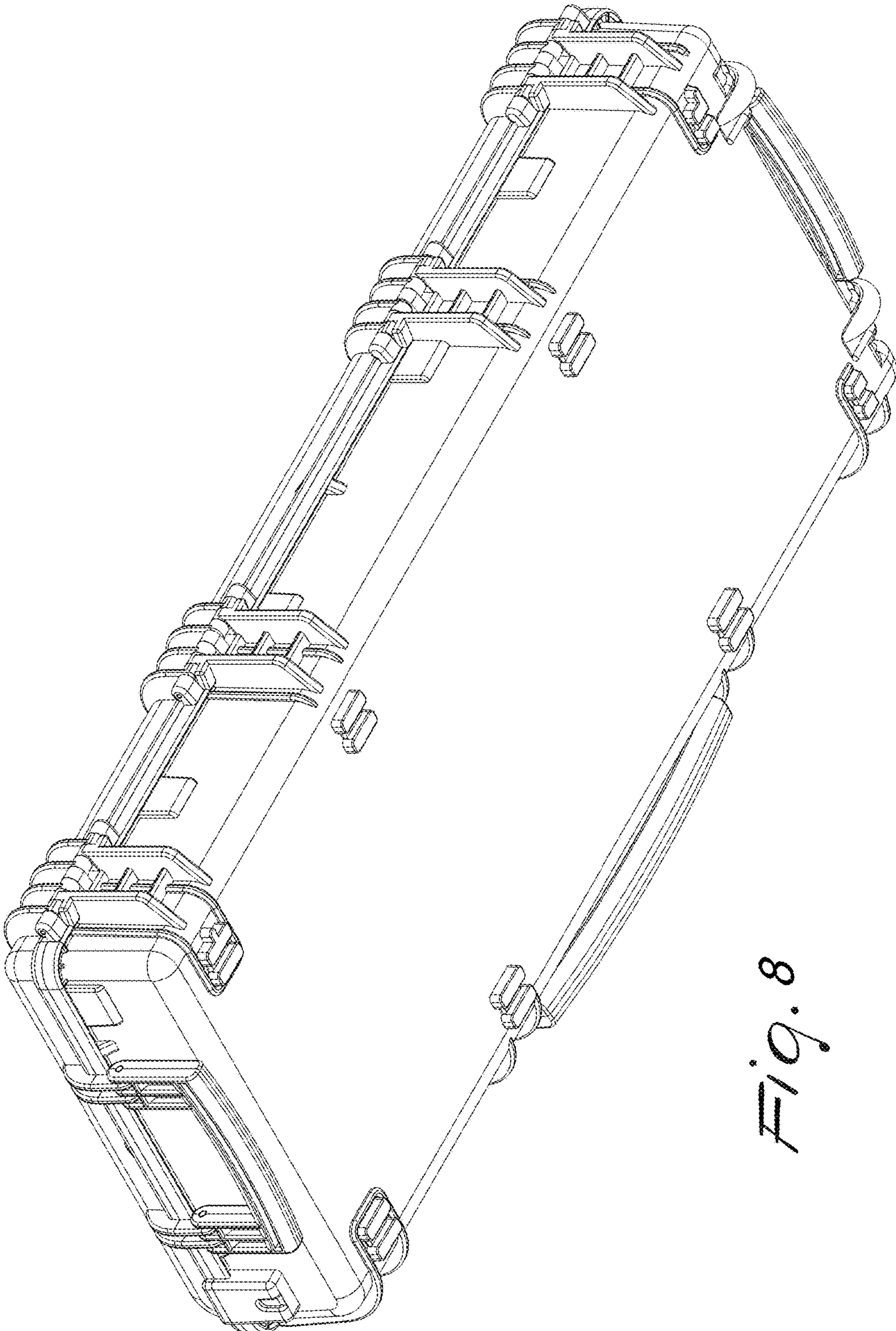


Fig. 8

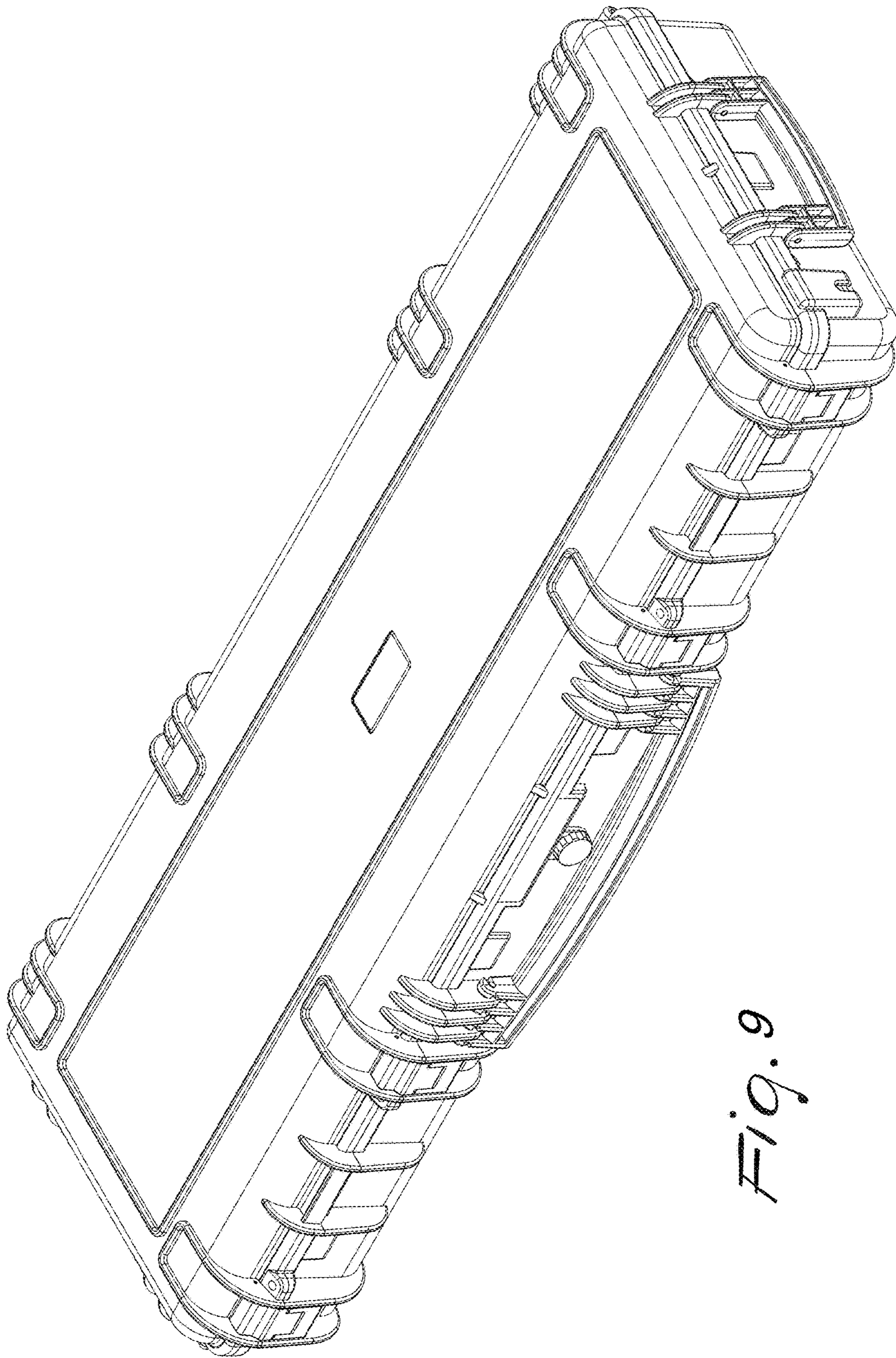


Fig. 9

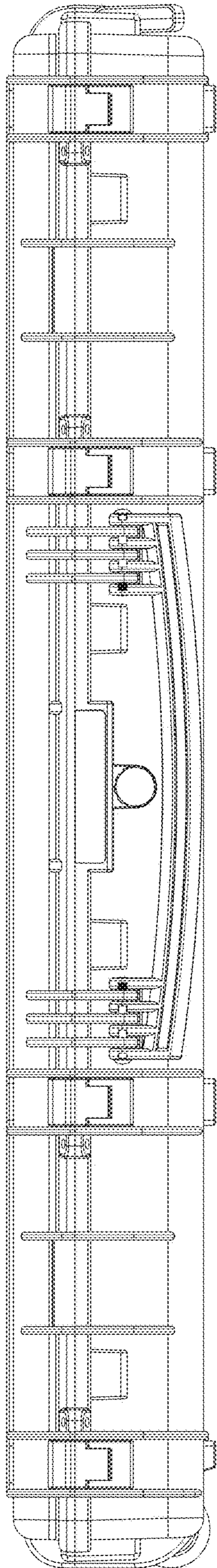


Fig. 10

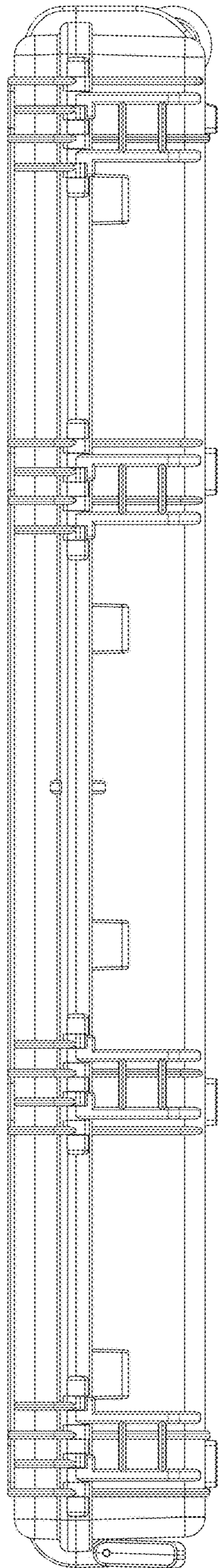


Fig. 11

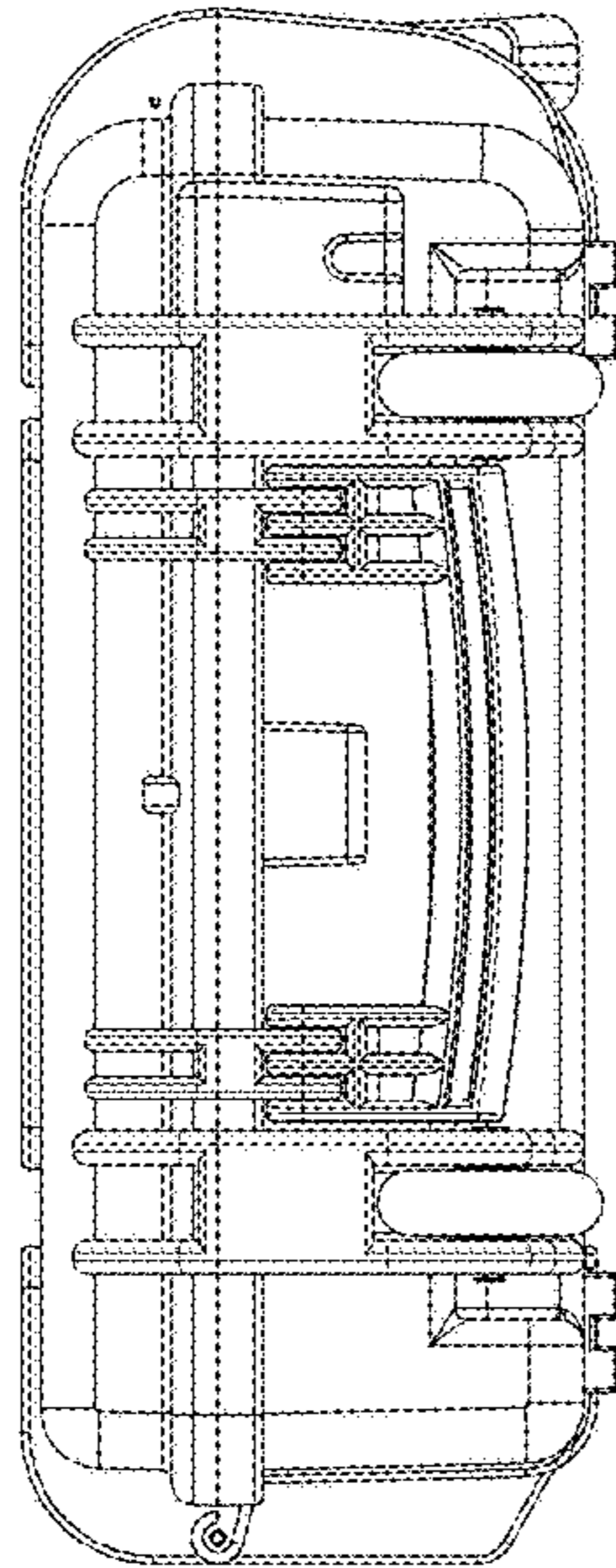


Fig. 12

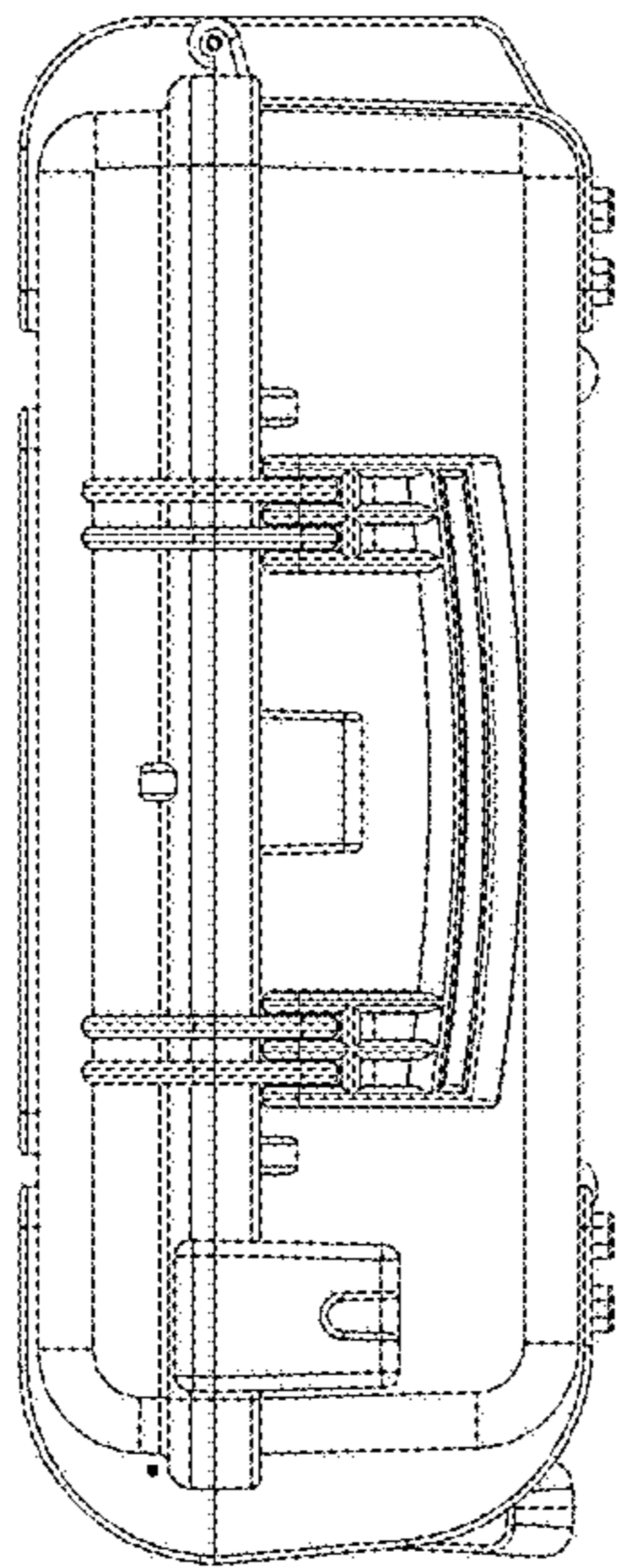


Fig. 13

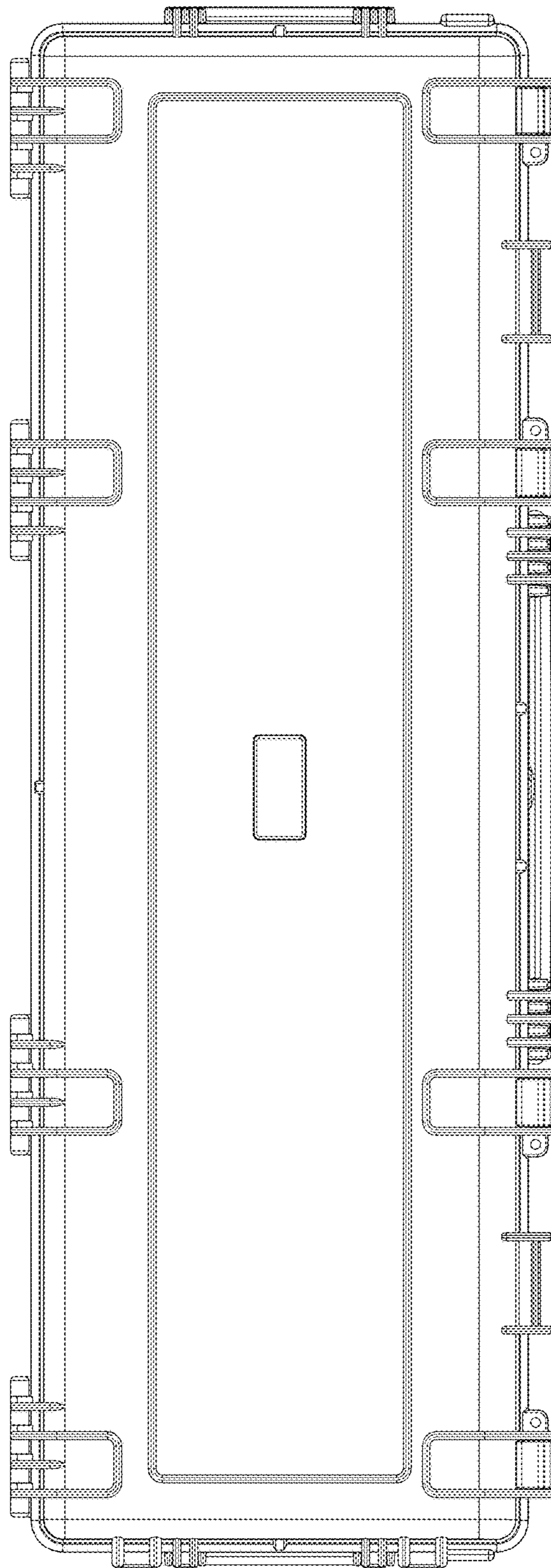


Fig. 14

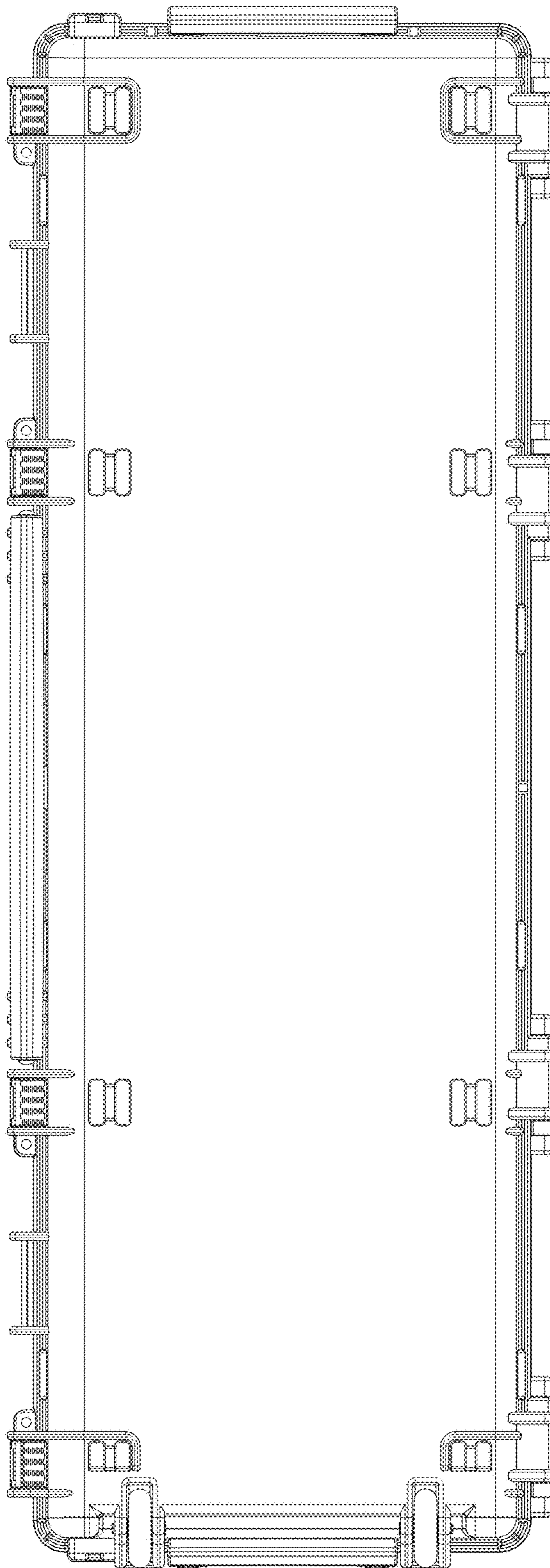


Fig. 15

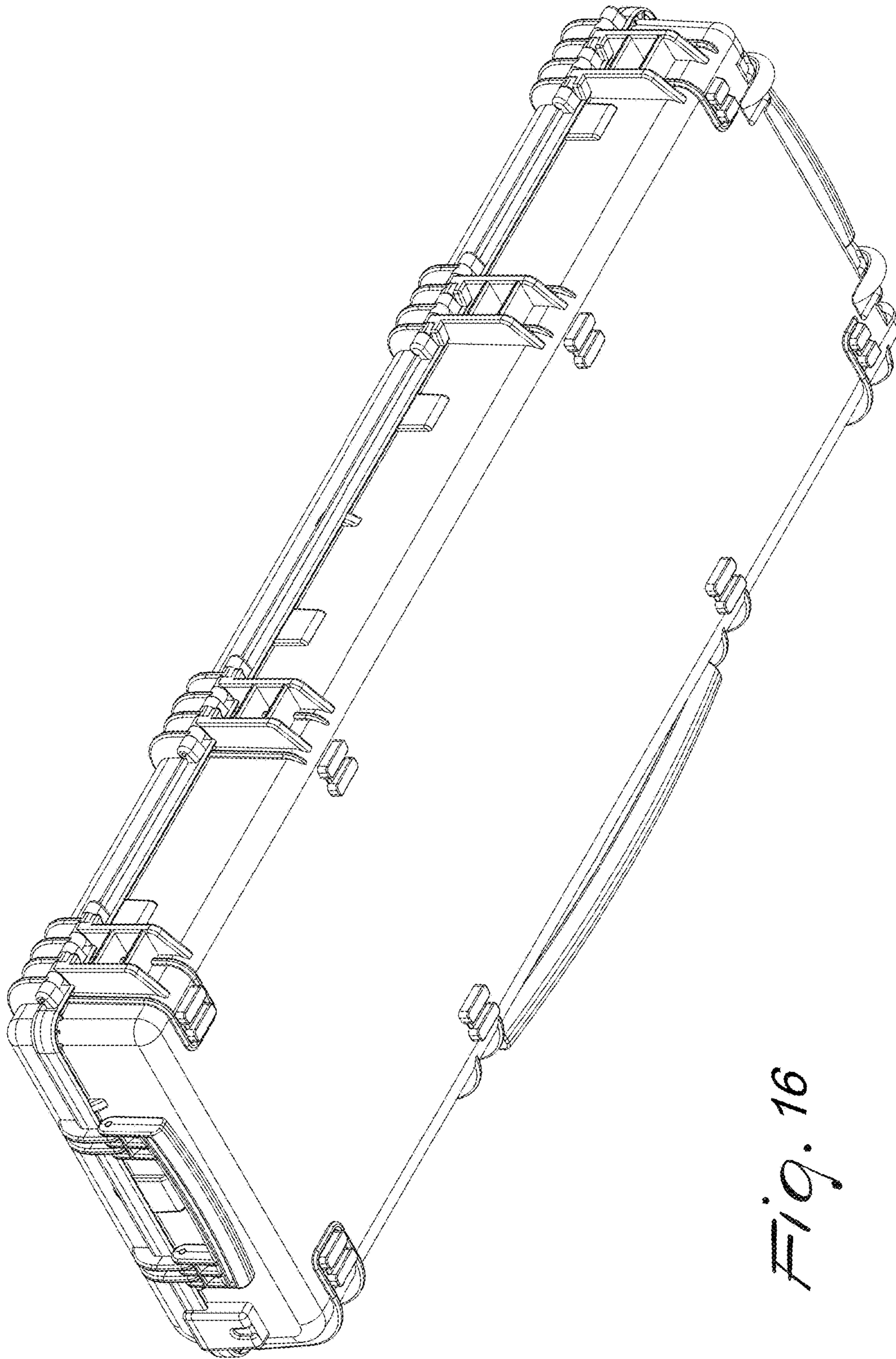


Fig. 16

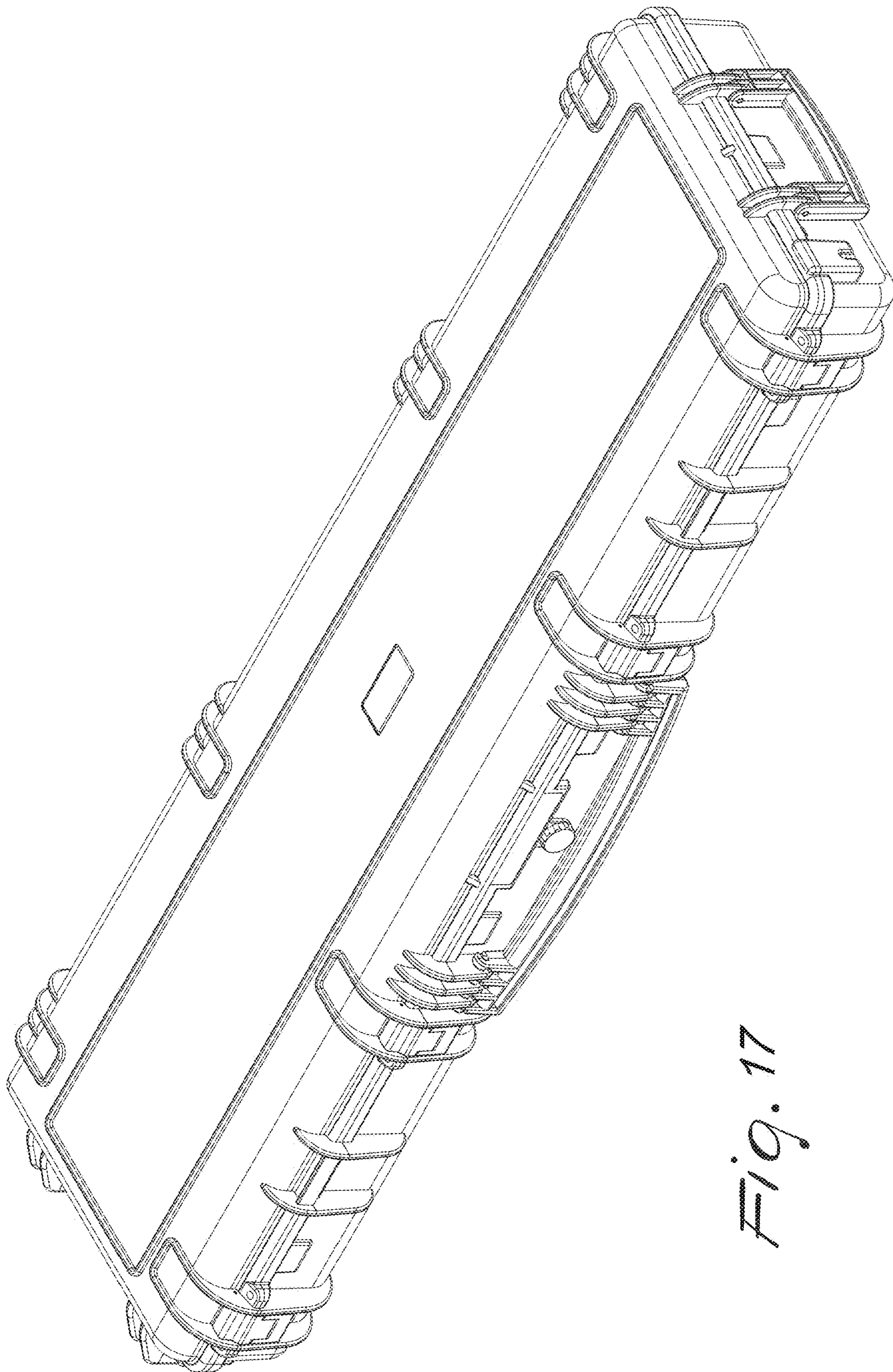


Fig. 17

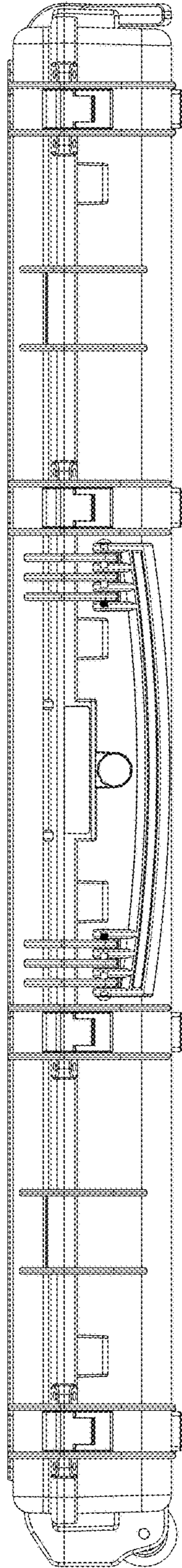


Fig. 18

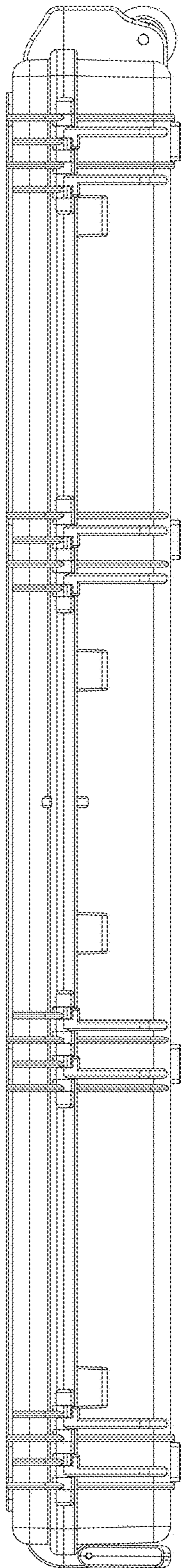


Fig. 19

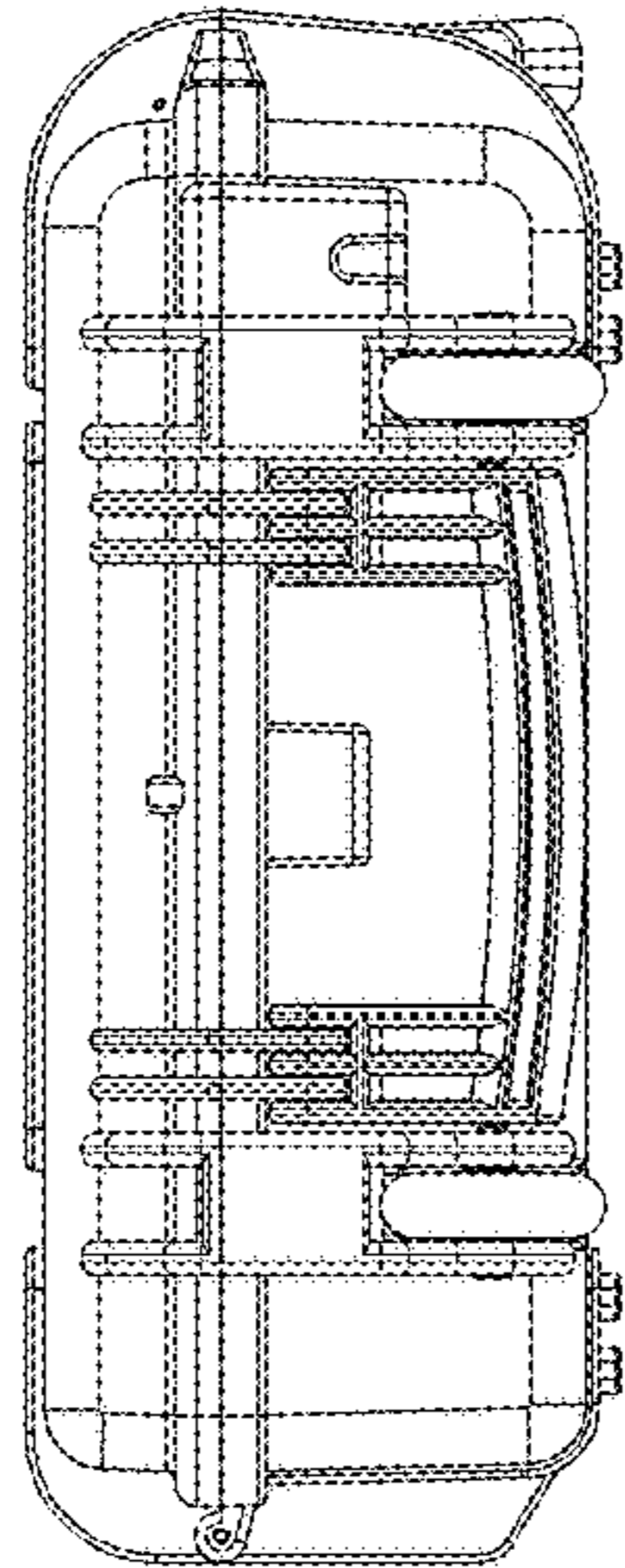


Fig. 20

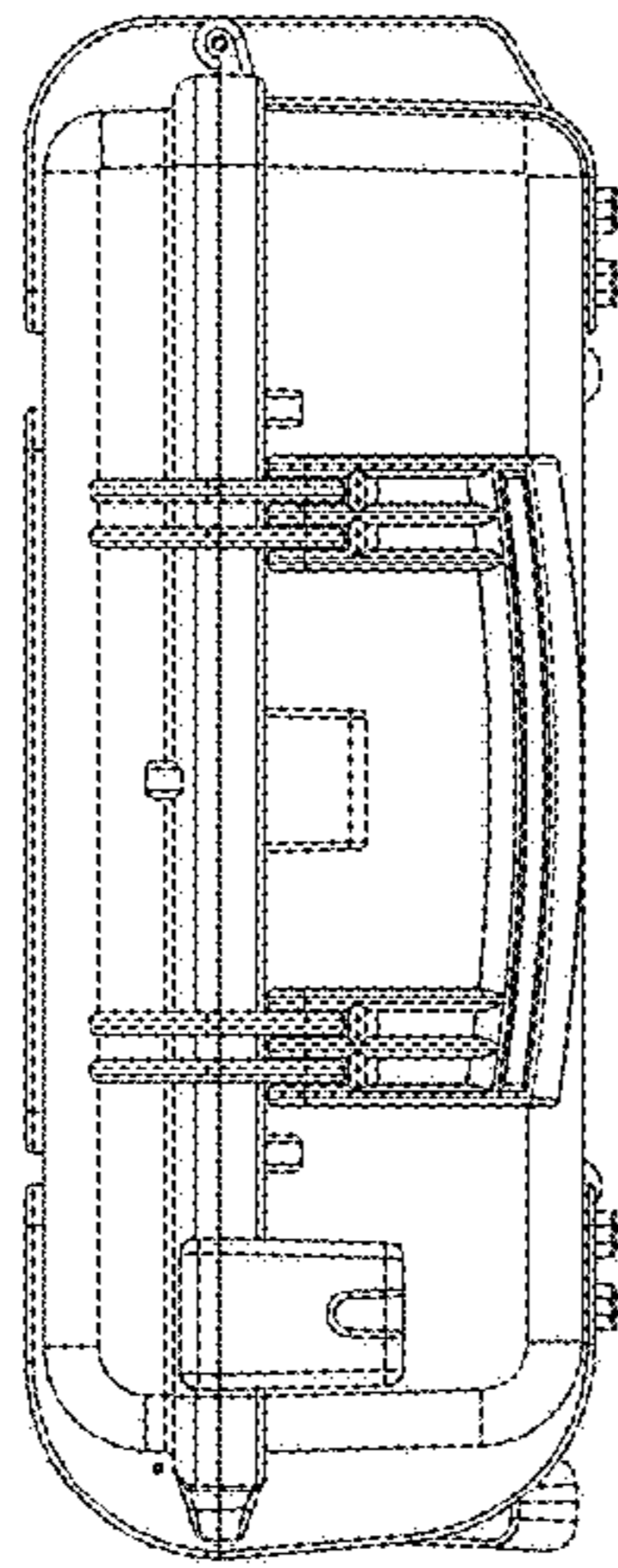


Fig. 21

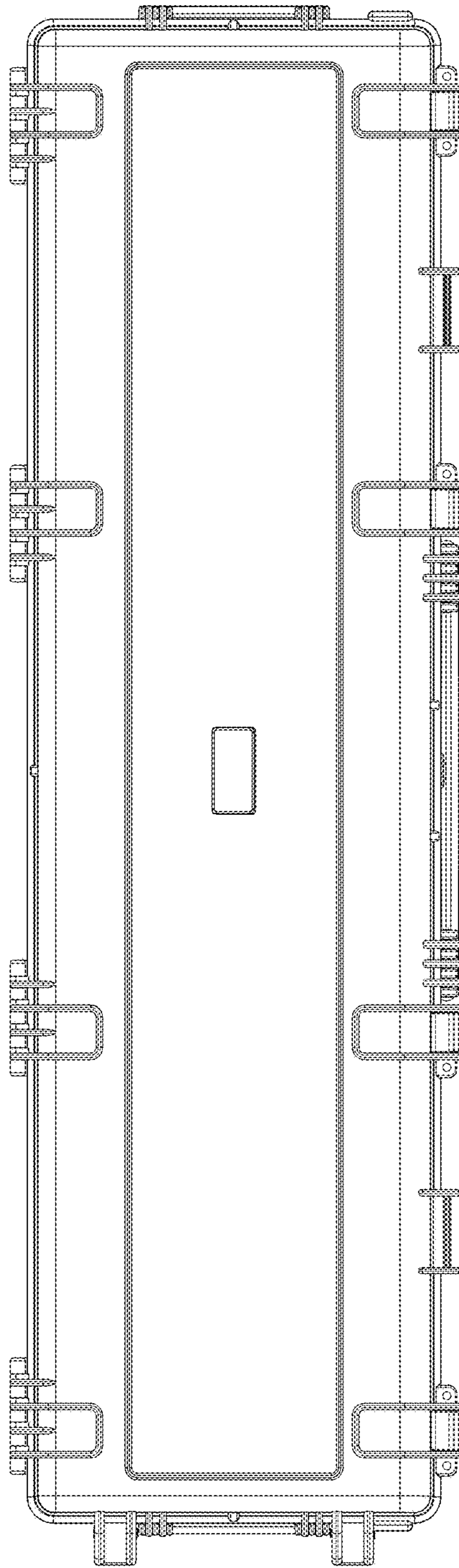


Fig. 22

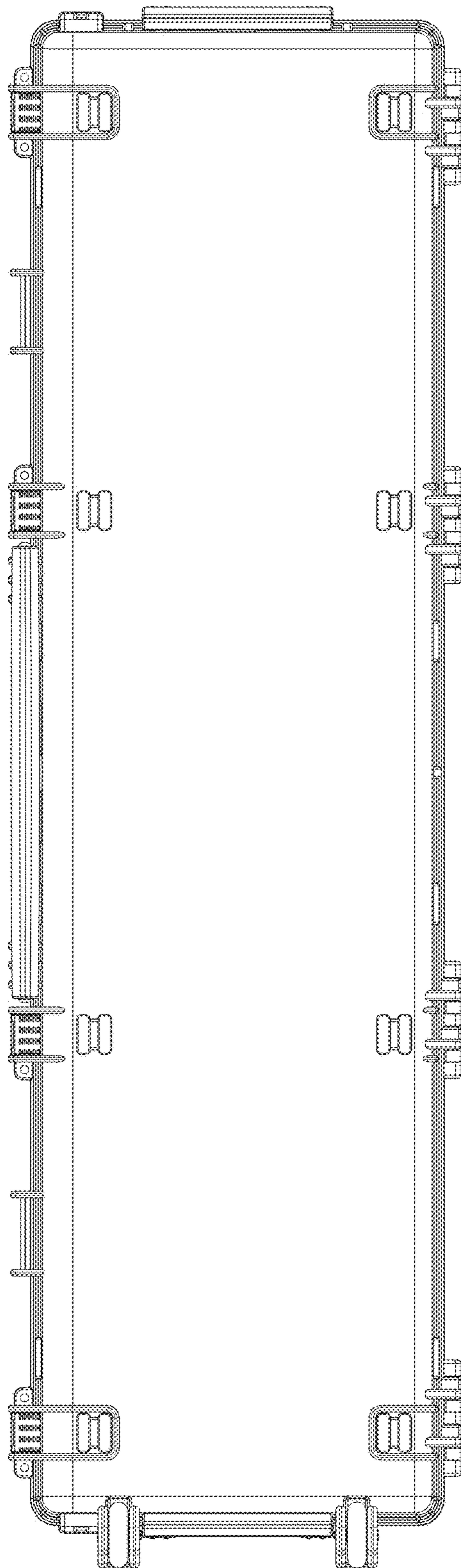


Fig. 23

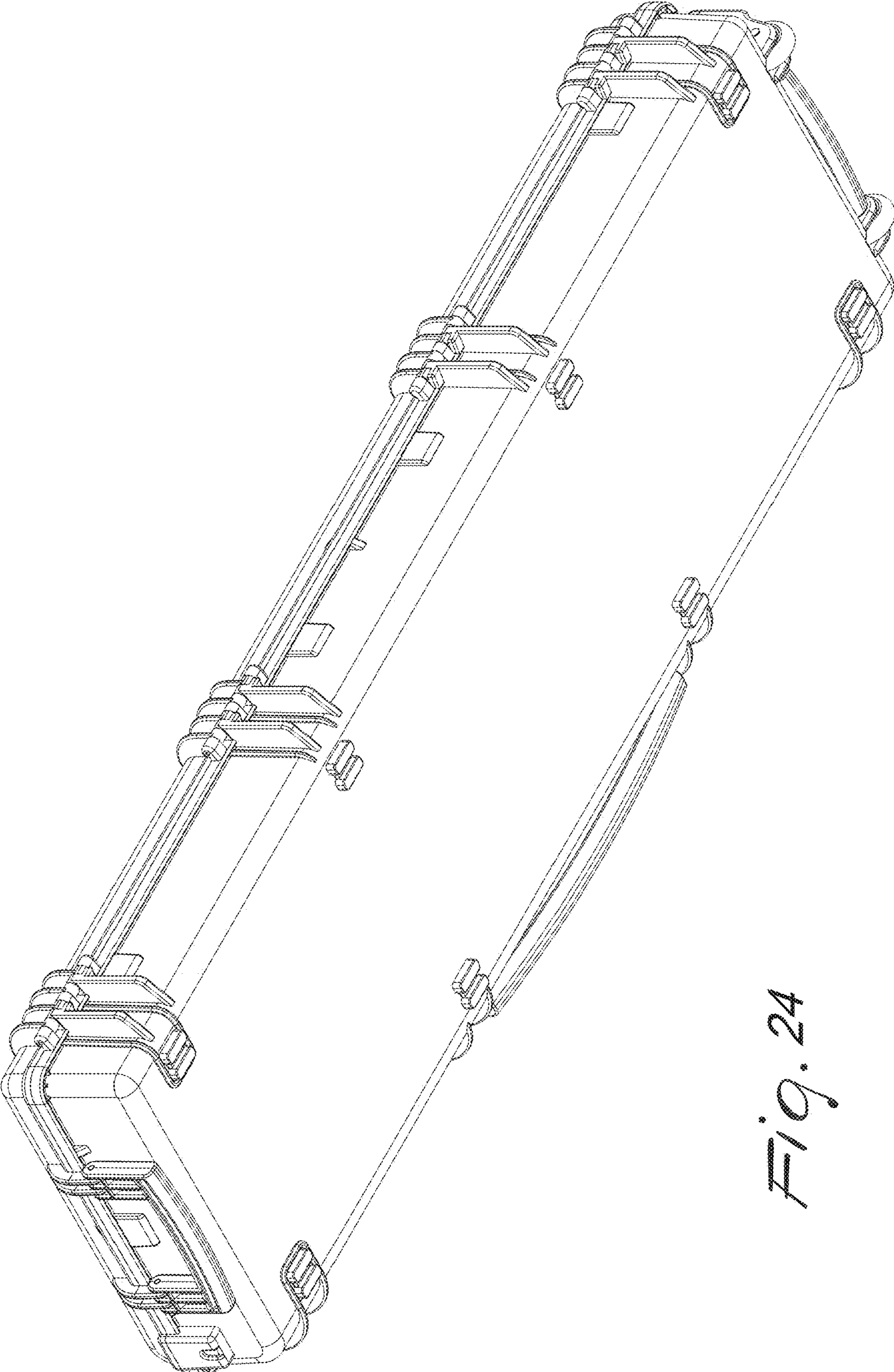


Fig. 24

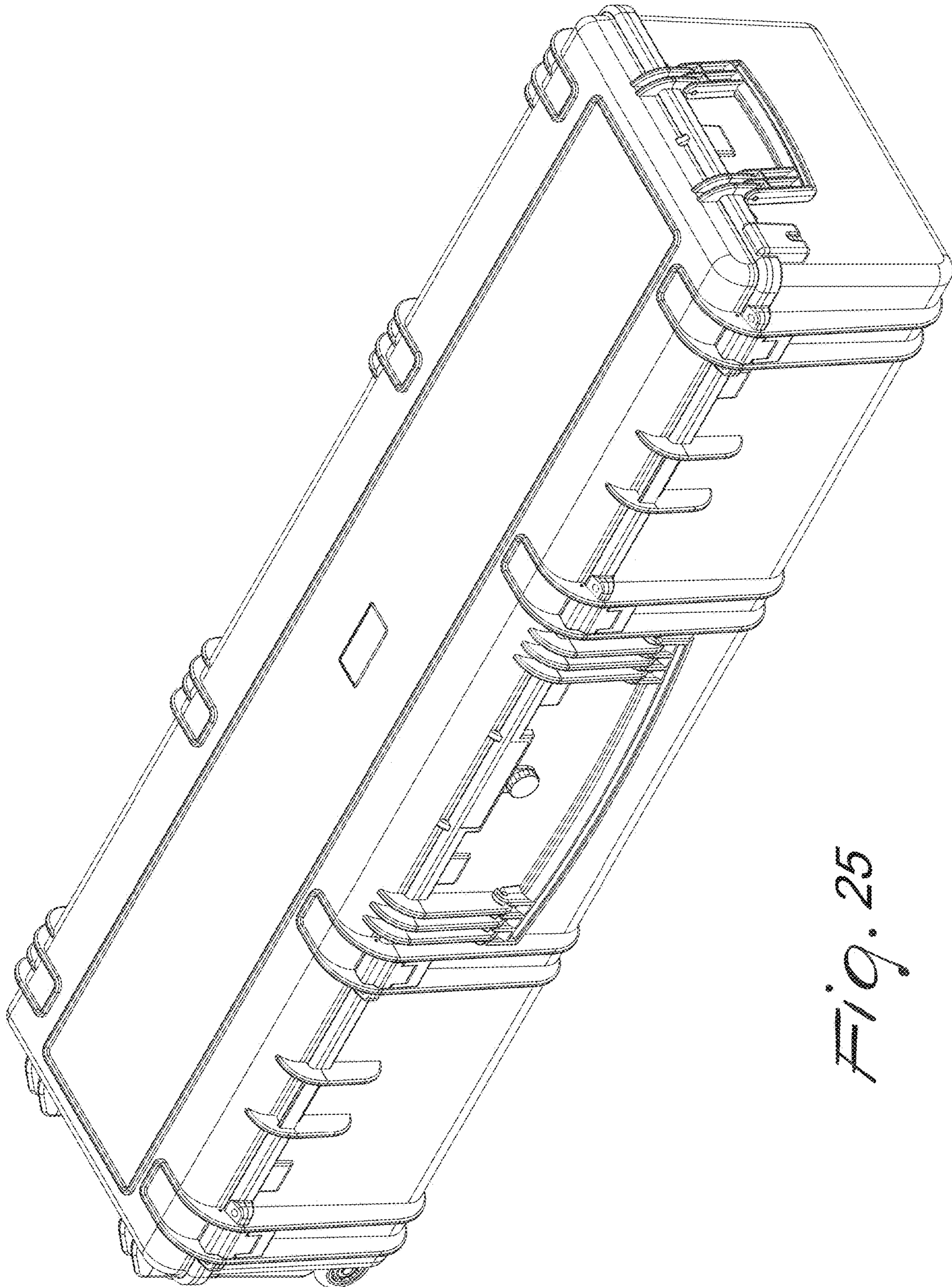


Fig. 25

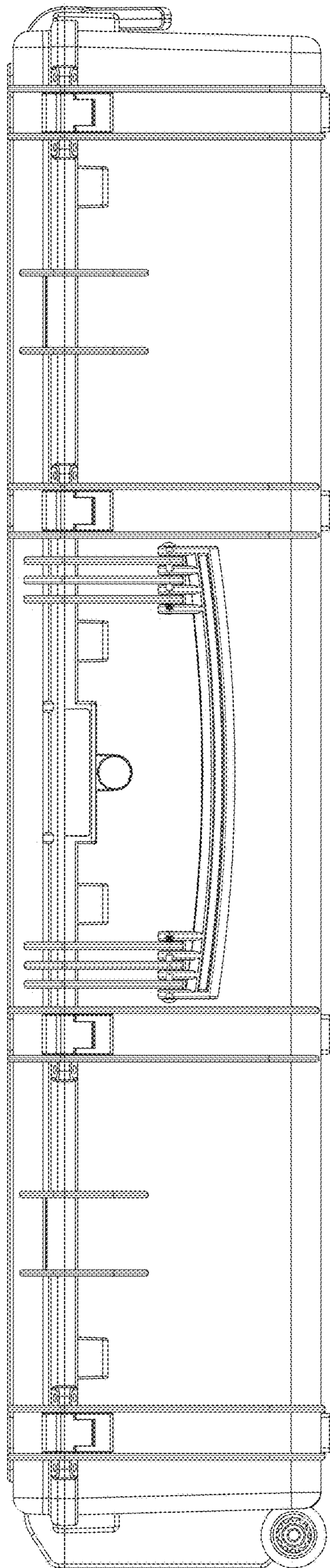


Fig. 26

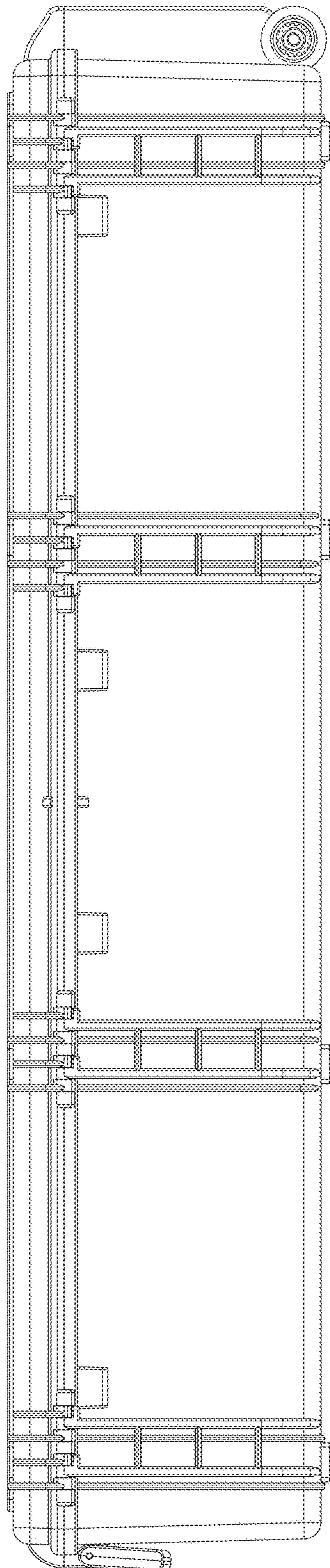


Fig. 27

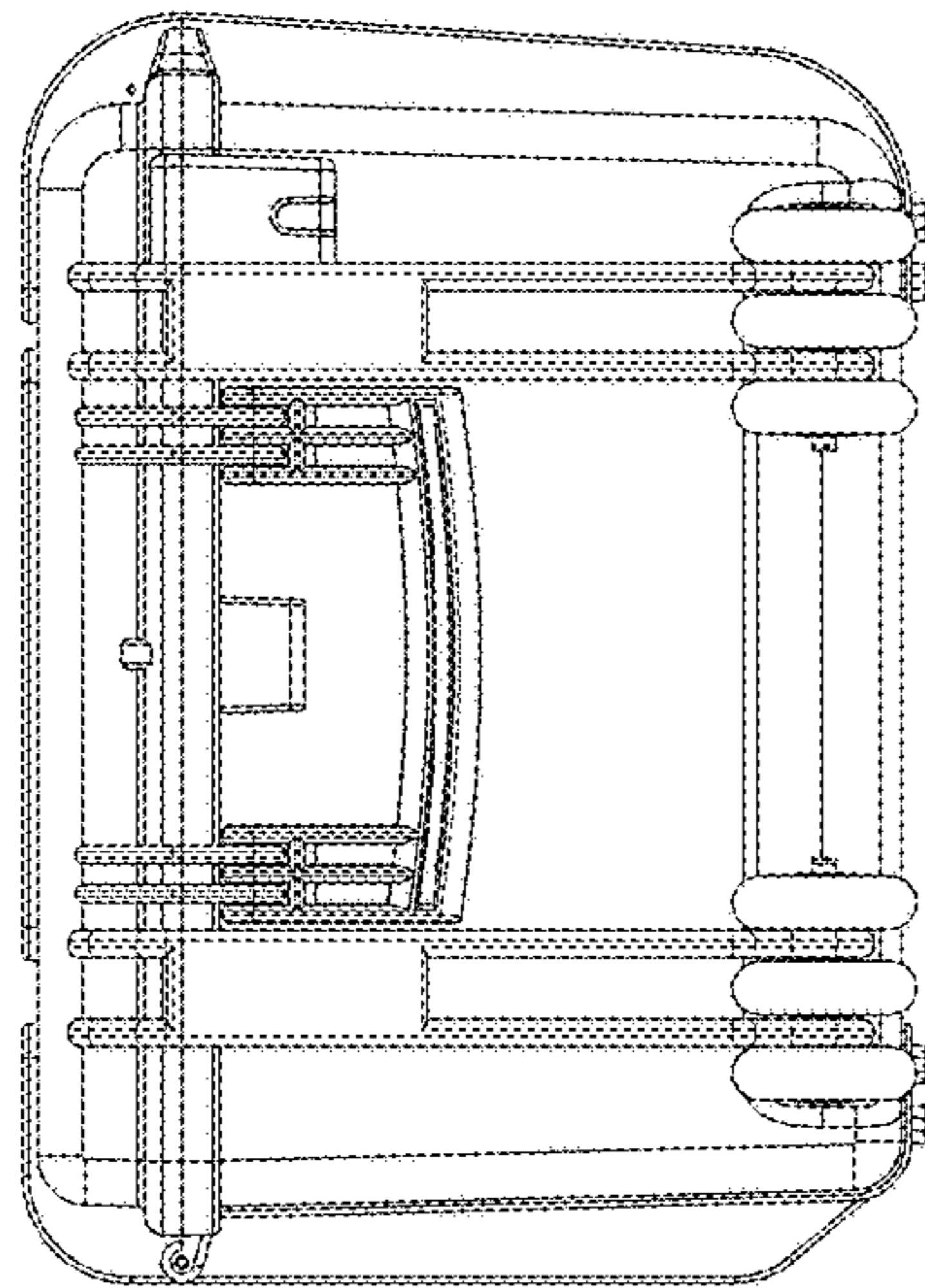


Fig. 28

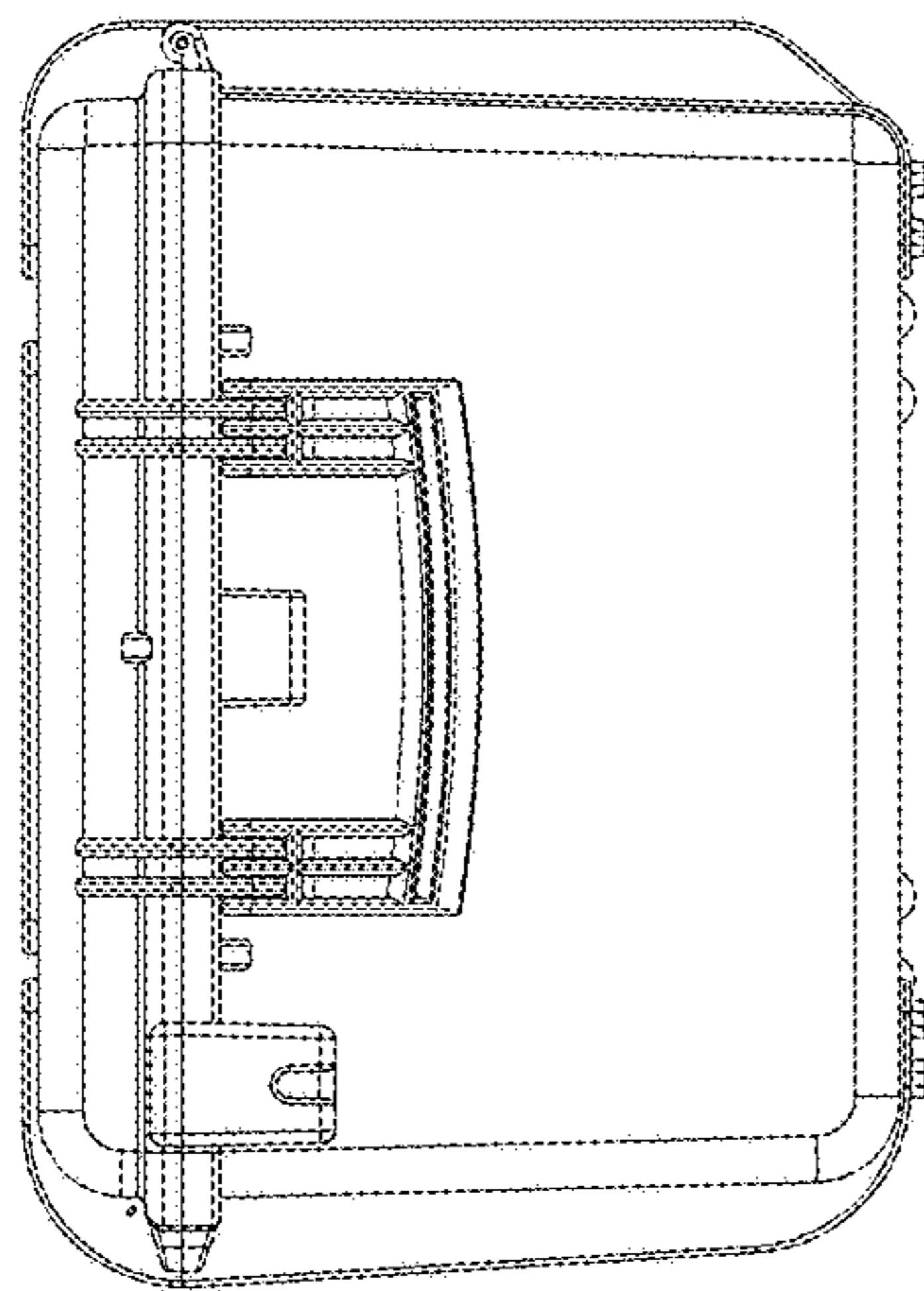


Fig. 29

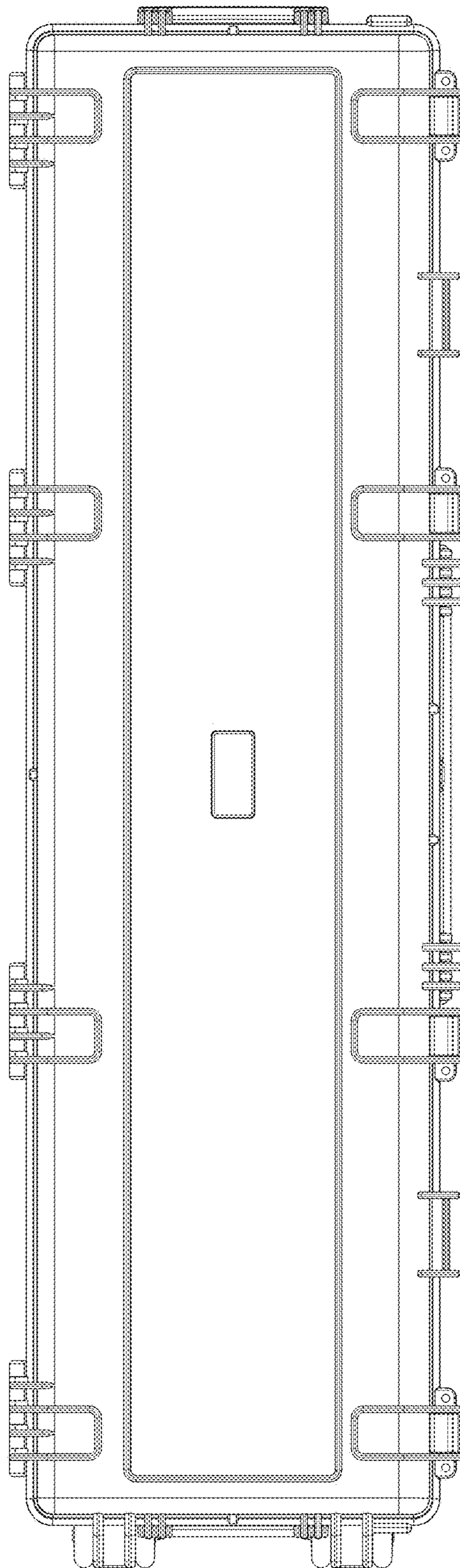


Fig. 30

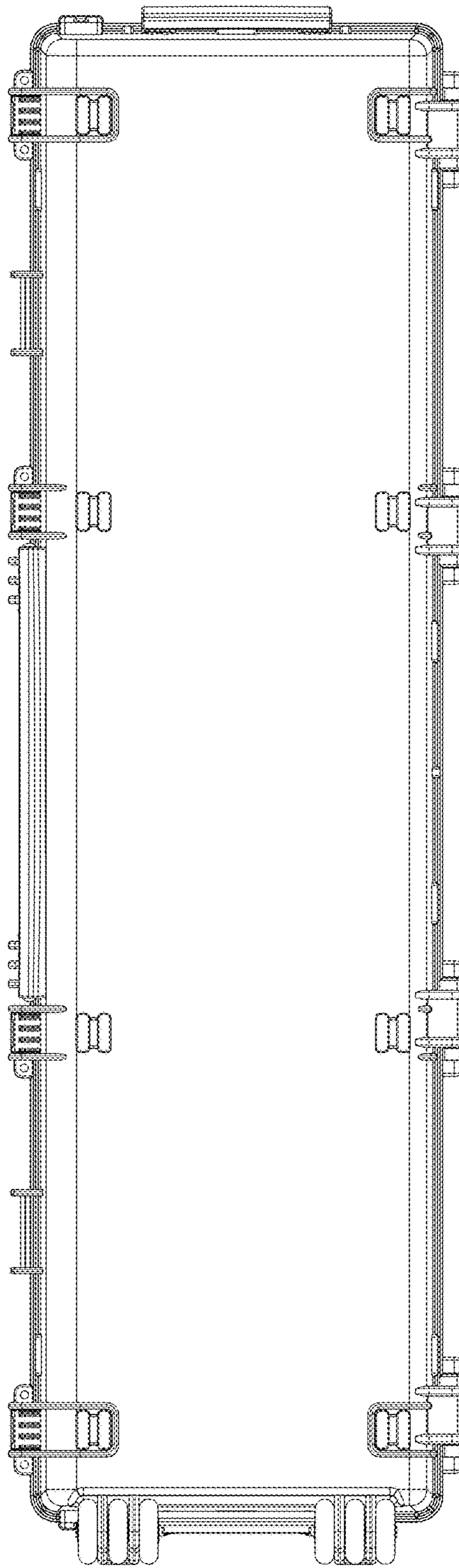


Fig. 31

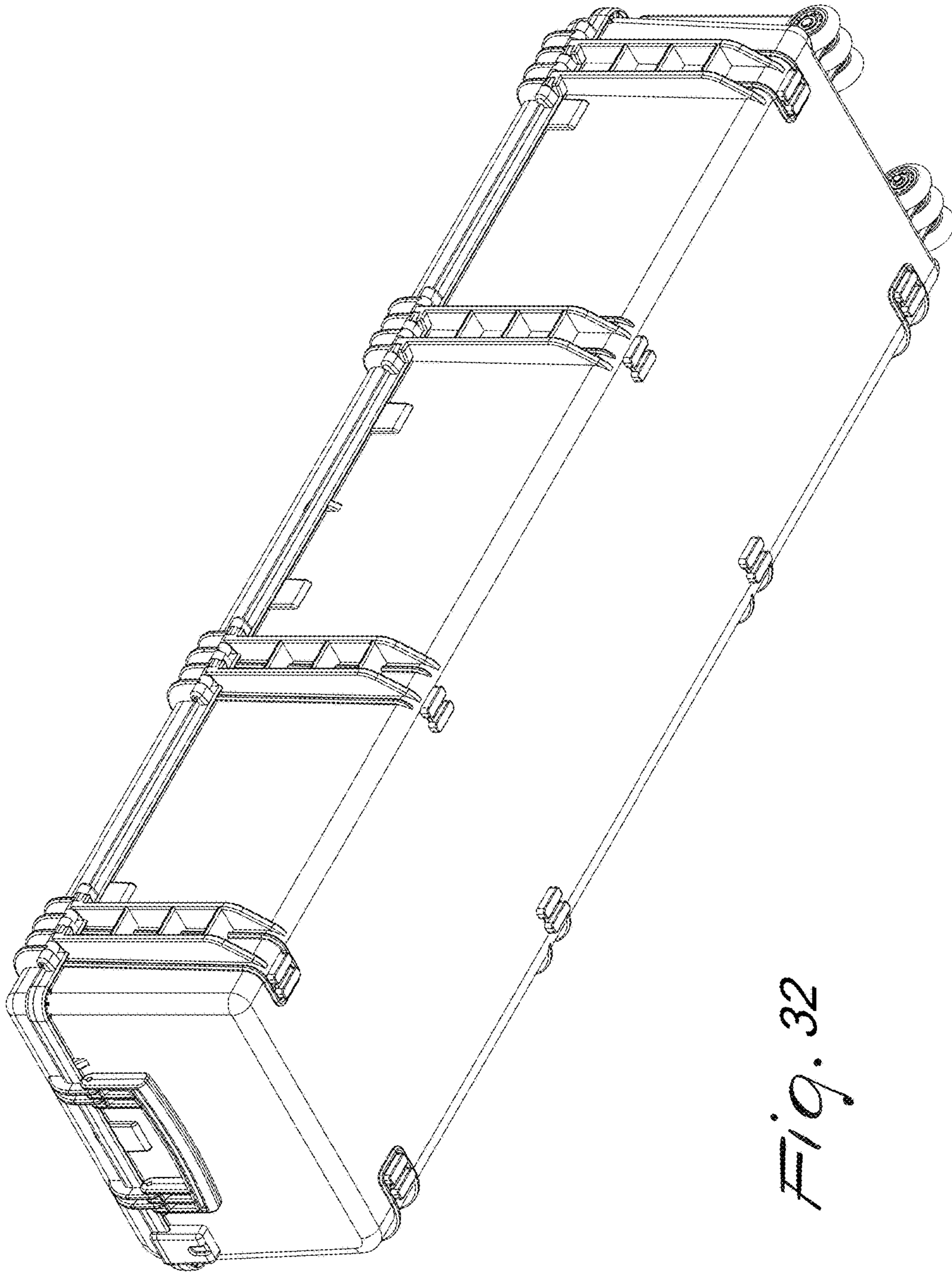


Fig. 32

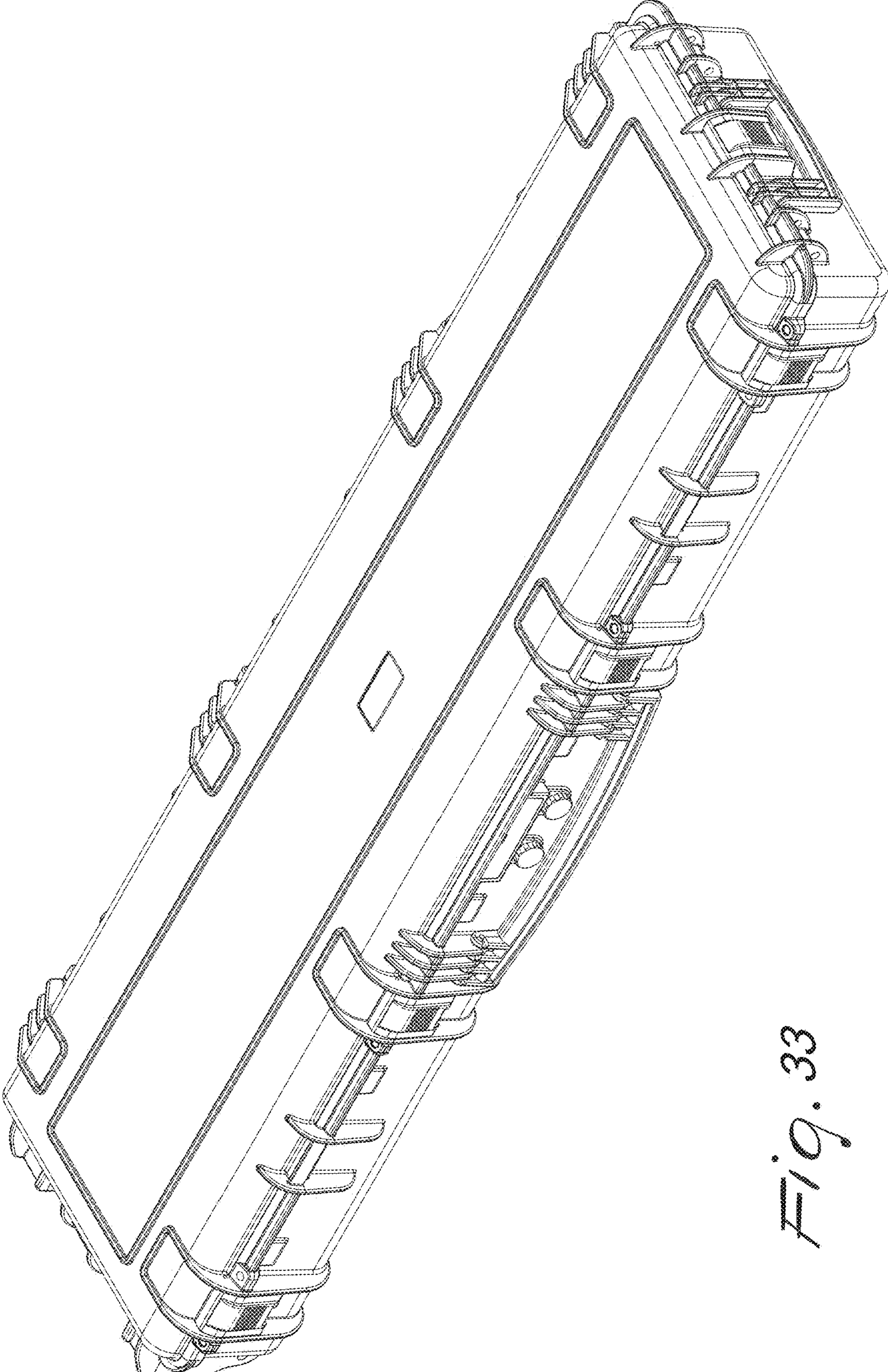


Fig. 33

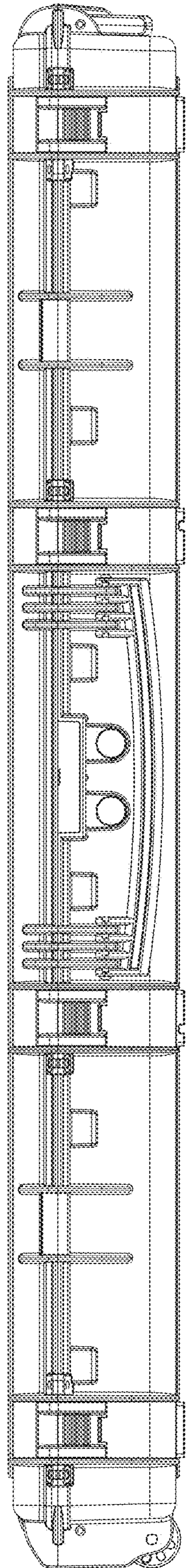


Fig. 34

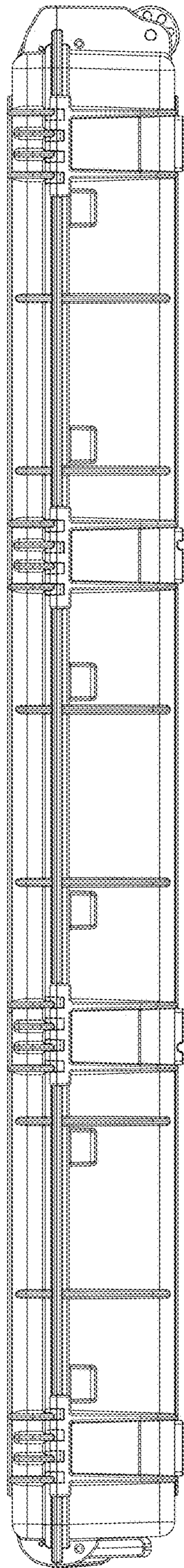


Fig. 35

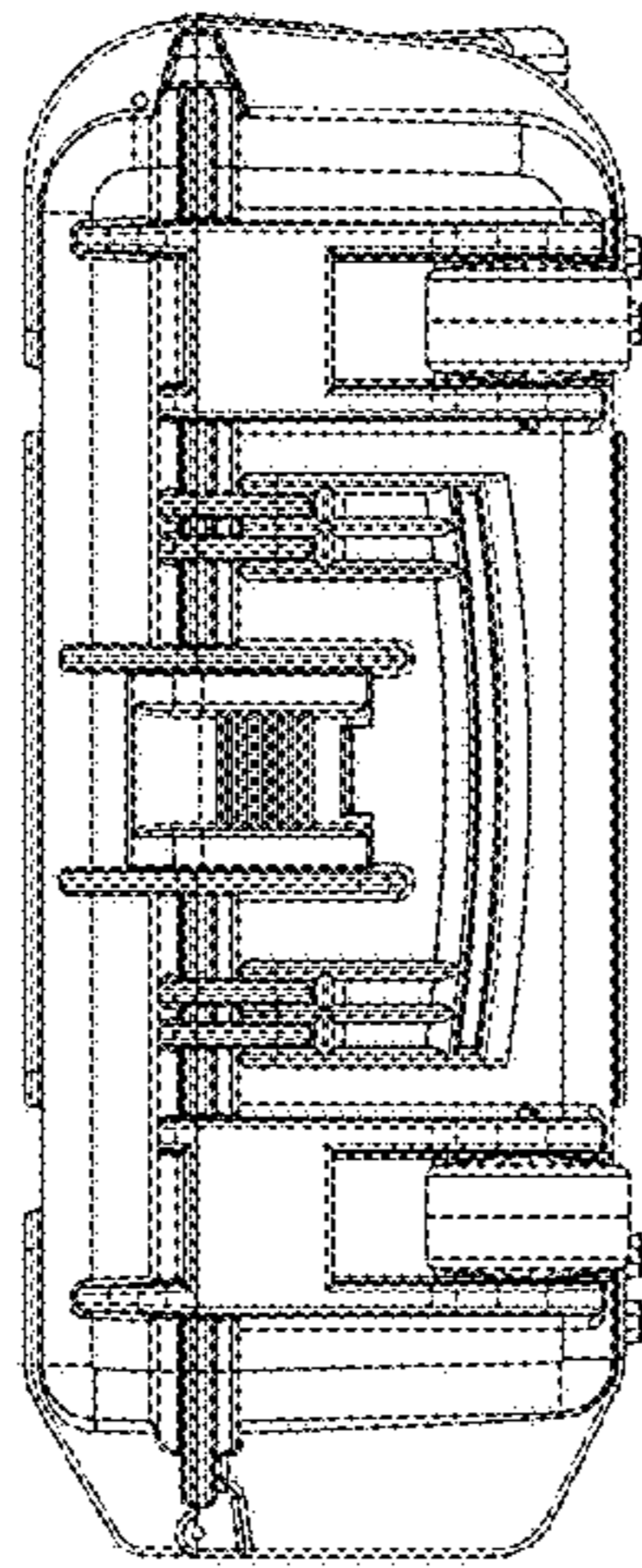


Fig. 36

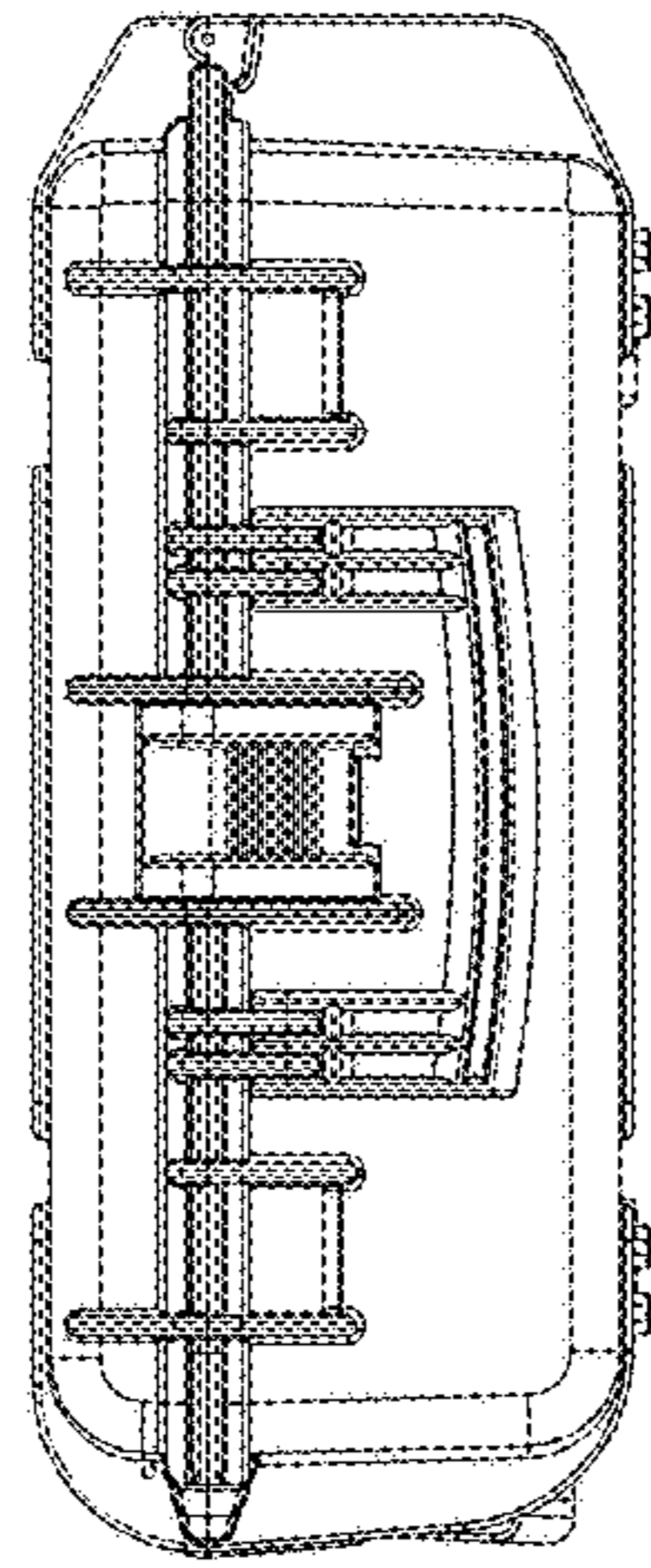


Fig. 37

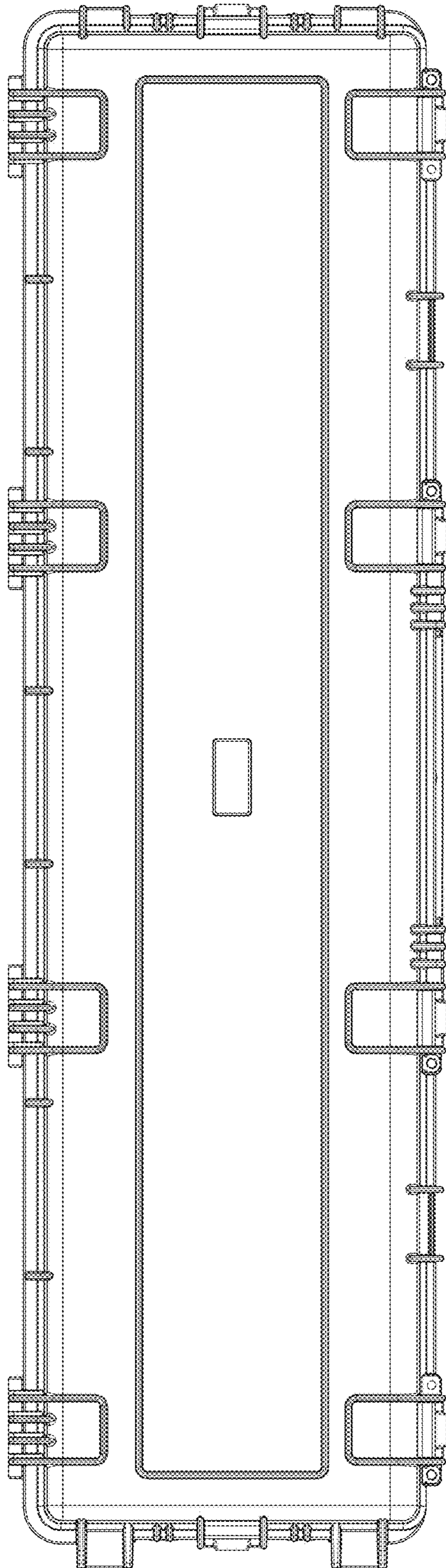


Fig. 38

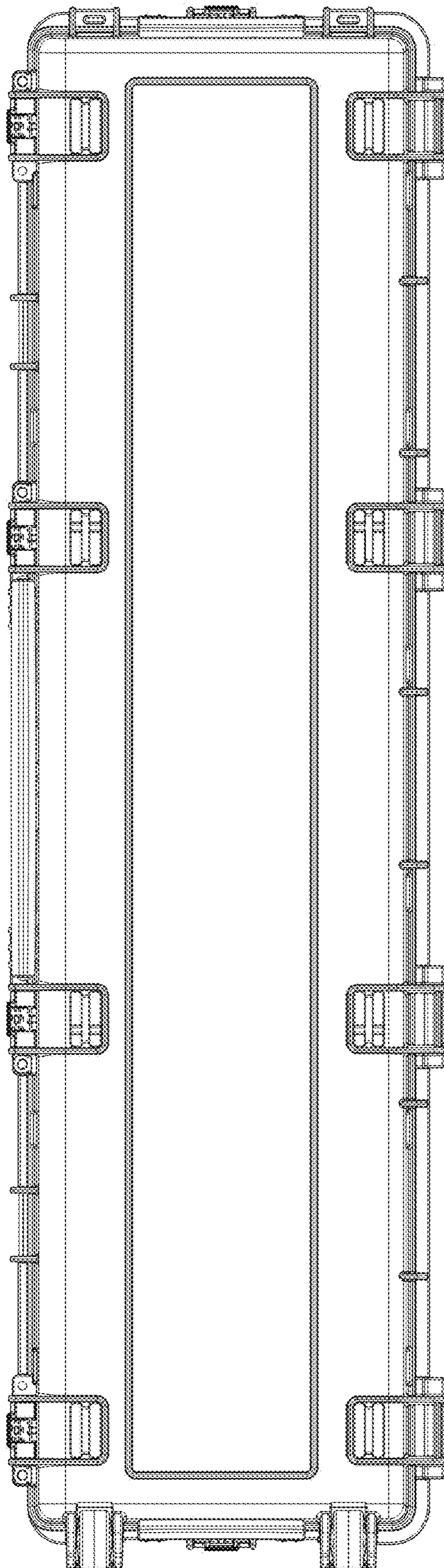


Fig. 39

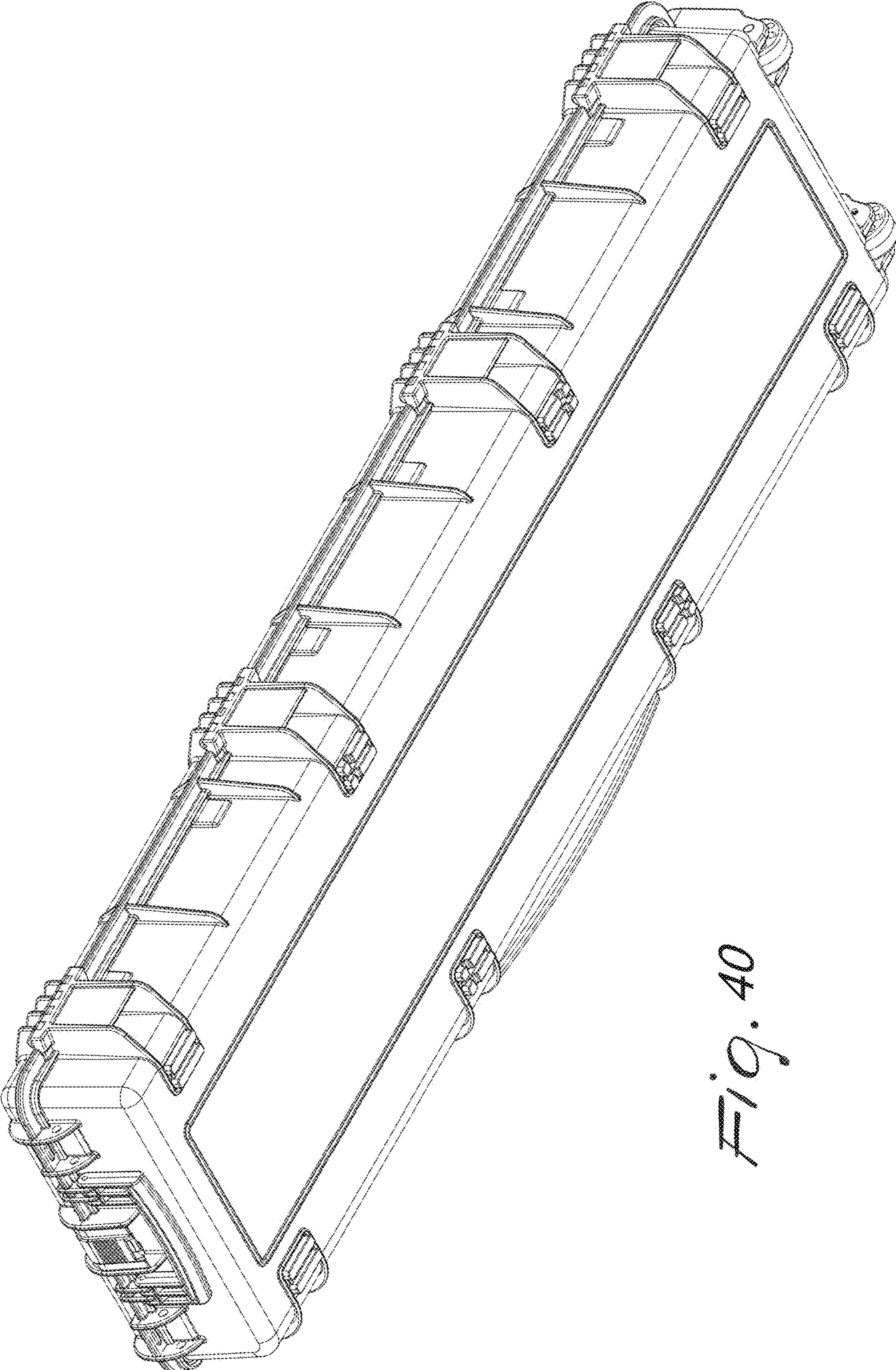


Fig. 40