



US00D873006S

(12) **United States Design Patent**
Zhao

(10) **Patent No.:** **US D873,006 S**
(45) **Date of Patent:** **** Jan. 21, 2020**

- (54) **BASKET**
- (71) Applicant: **Ningbo Haishu Songtai Plastic Co., Ltd, Ningbo (CN)**
- (72) Inventor: **Kai Zhao, Ningbo (CN)**
- (73) Assignee: **NINGBO HAISHU SONGTAI PLASTIC CO., LTD., Ningbo (CN)**
- (**) Term: **15 Years**
- (21) Appl. No.: **29/641,571**
- (22) Filed: **Mar. 22, 2018**
- (51) **LOC (12) Cl.** **03-01**
- (52) **U.S. Cl.**
USPC **D3/277; D3/302; D3/306**
- (58) **Field of Classification Search**
USPC D7/605, 607, 608, 387; D3/273, 274, D3/277, 276, 284, 289, 287, 301, 302, D3/304, 315, 318, 902, 314, 306, 307
CPC .. A45C 5/04; A45C 5/045; A45C 5/08; A45C 7/0077; A45C 11/20; A45C 2200/20; A45C 5/14; A45C 7/0036; F25D 3/08; B62B 2202/52
See application file for complete search history.

- D786,061 S * 5/2017 Snedden D9/425
- D786,627 S * 5/2017 Thuma D7/605
- D788,466 S * 6/2017 Duvigneau D3/306
- D801,049 S * 10/2017 Mutoh D3/304
- D825,923 S * 8/2018 Suomela D3/304
- 2019/0098972 A1* 4/2019 Mutoh A45C 5/045

OTHER PUBLICATIONS

eoshop, “Kis Basket M, storage smoke gray, 12l”, accessed Jul. 25, 2019. (https://www.eoshop.cz/kis-basket-m-kos-ulozny-kourovaseda-12l?utm_source=favi&utm_medium=cpc&utm_campaign=favi-kose-na-pradlo&utm_term=c43adfb9-1fd4-426f-9540-7332590a1679) (Year: 2019).*

eoshop, “FILO shopping cart—creamy”, Accessed Jul. 25, 2019. (https://www.eoshop.cz/filo-nakupni-kosik---kremovy?utm_source=favi&utm_medium=cpc&utm_campaign=favi-kose-na-pradlo&utm_term=c43bb583-8ff6-43f8-999f-fbde79c70710) (Year: 2019).*

* cited by examiner

Primary Examiner — April Rivas
(74) *Attorney, Agent, or Firm* — Platinum Intellectual Property LLP

(57) **CLAIM**
The ornamental design for a basket, as shown.

DESCRIPTION

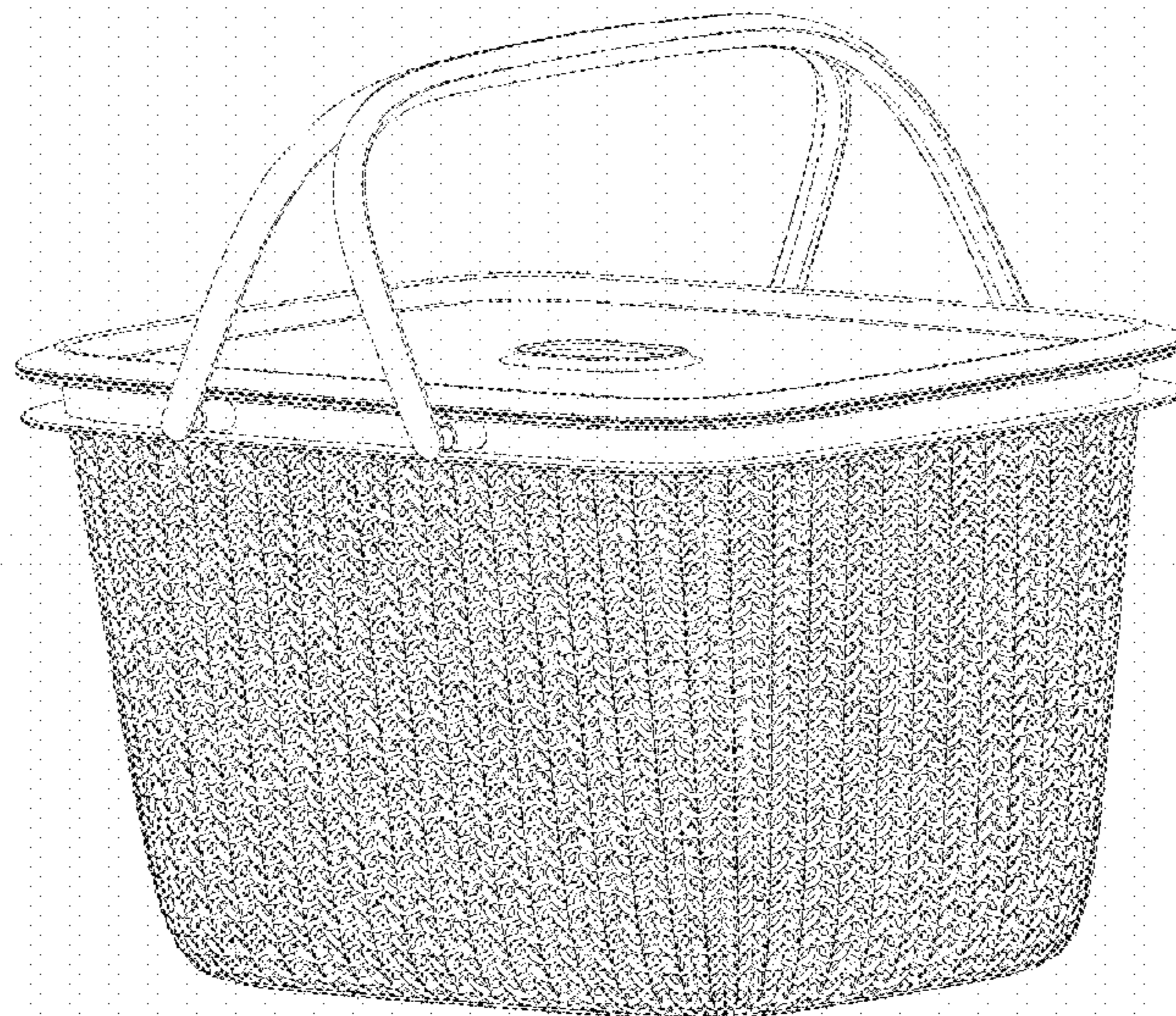
FIG. 1 is a perspective view of a basket showing my new design;
FIG. 2 is a front view thereof, the rear view being a mirror image thereof;
FIG. 3 is a left view thereof, the right view being a mirror image thereof;
FIG. 4 is a top view thereof;
FIG. 5 is a bottom view thereof; and,
FIG. 6 is an enlarged view of the encircled region in FIG. 2.

1 Claim, 6 Drawing Sheets

(56) **References Cited**

U.S. PATENT DOCUMENTS

- 404,349 A * 5/1889 Feager A45C 5/045 217/42
- D415,897 S * 11/1999 Lacy D3/277
- D526,122 S * 8/2006 Dodds D3/277
- D611,709 S * 3/2010 Ceravolo D3/304
- D642,870 S * 8/2011 Whitlock D3/289
- D776,927 S * 1/2017 Duvigneau D3/306
- D783,366 S * 4/2017 Russo D7/607



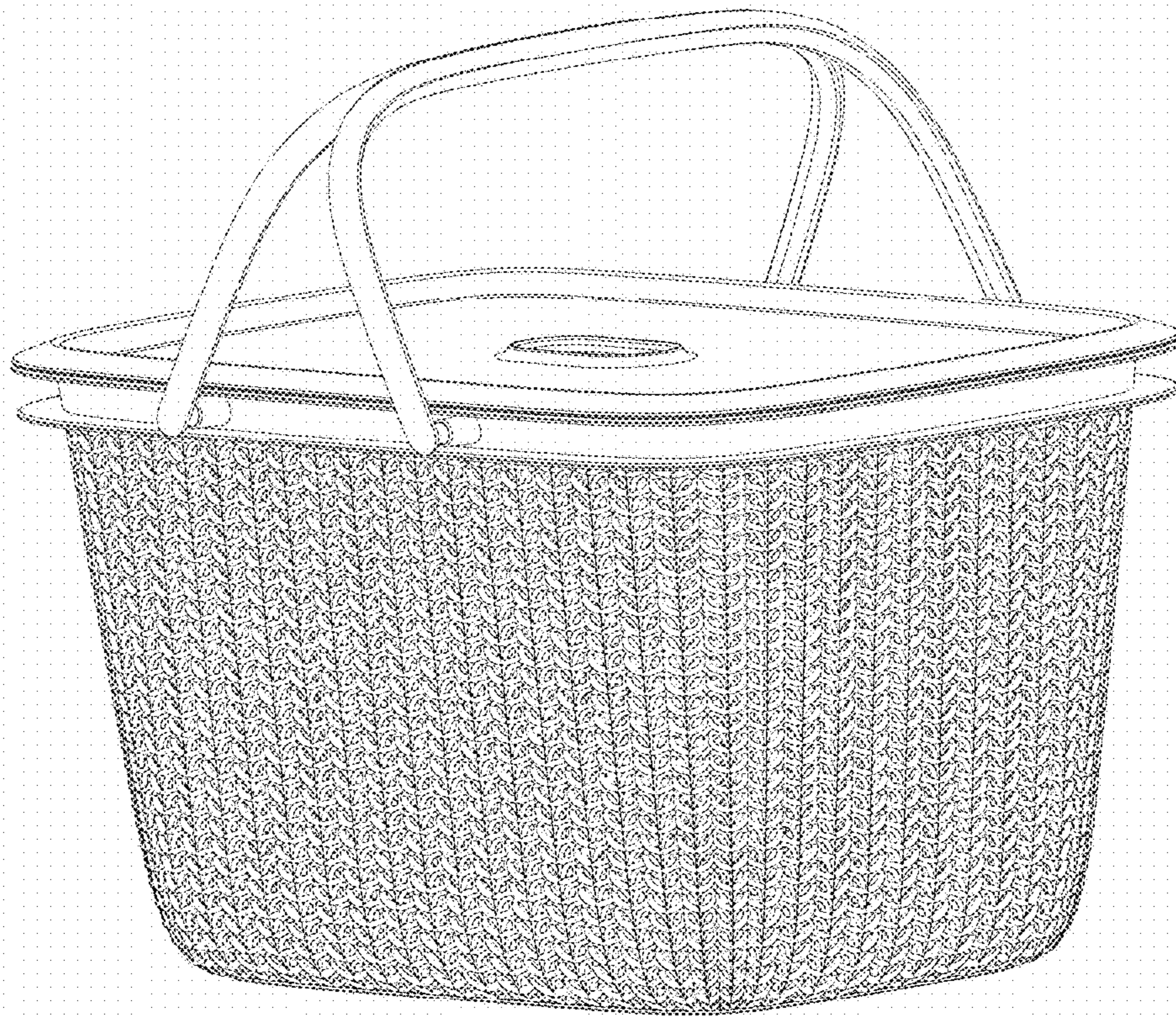


FIG. 1

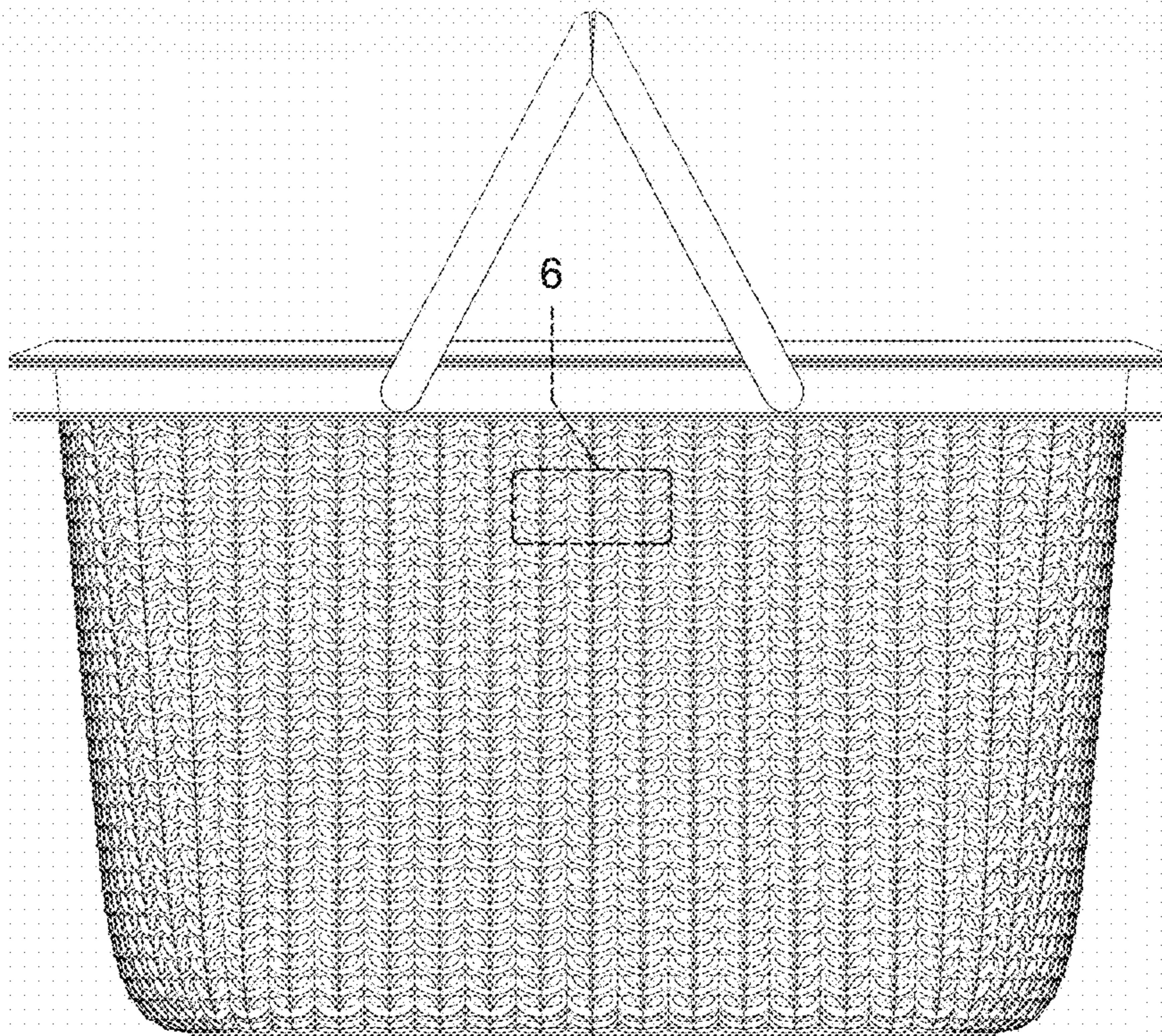


FIG. 2

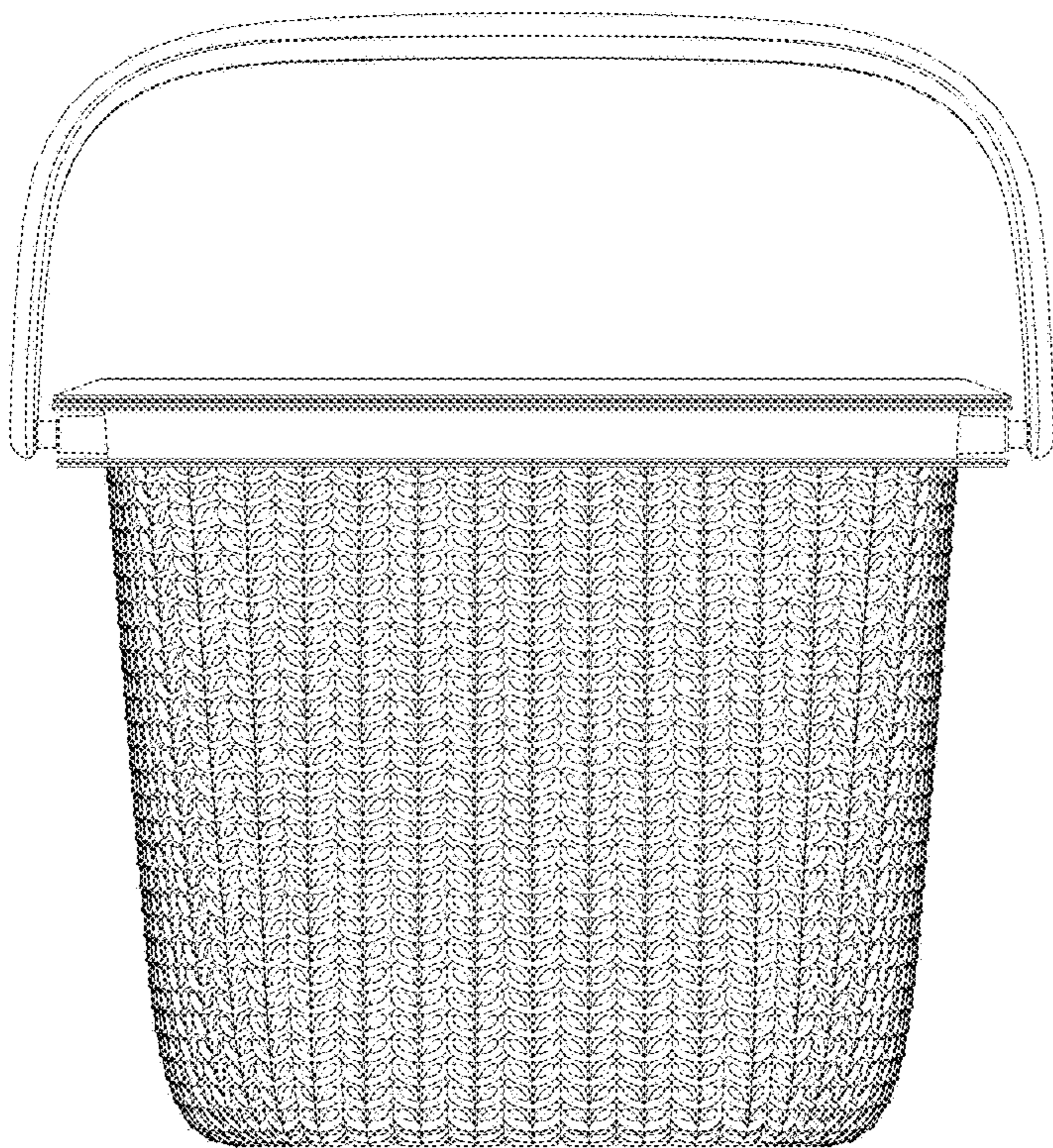


FIG. 3

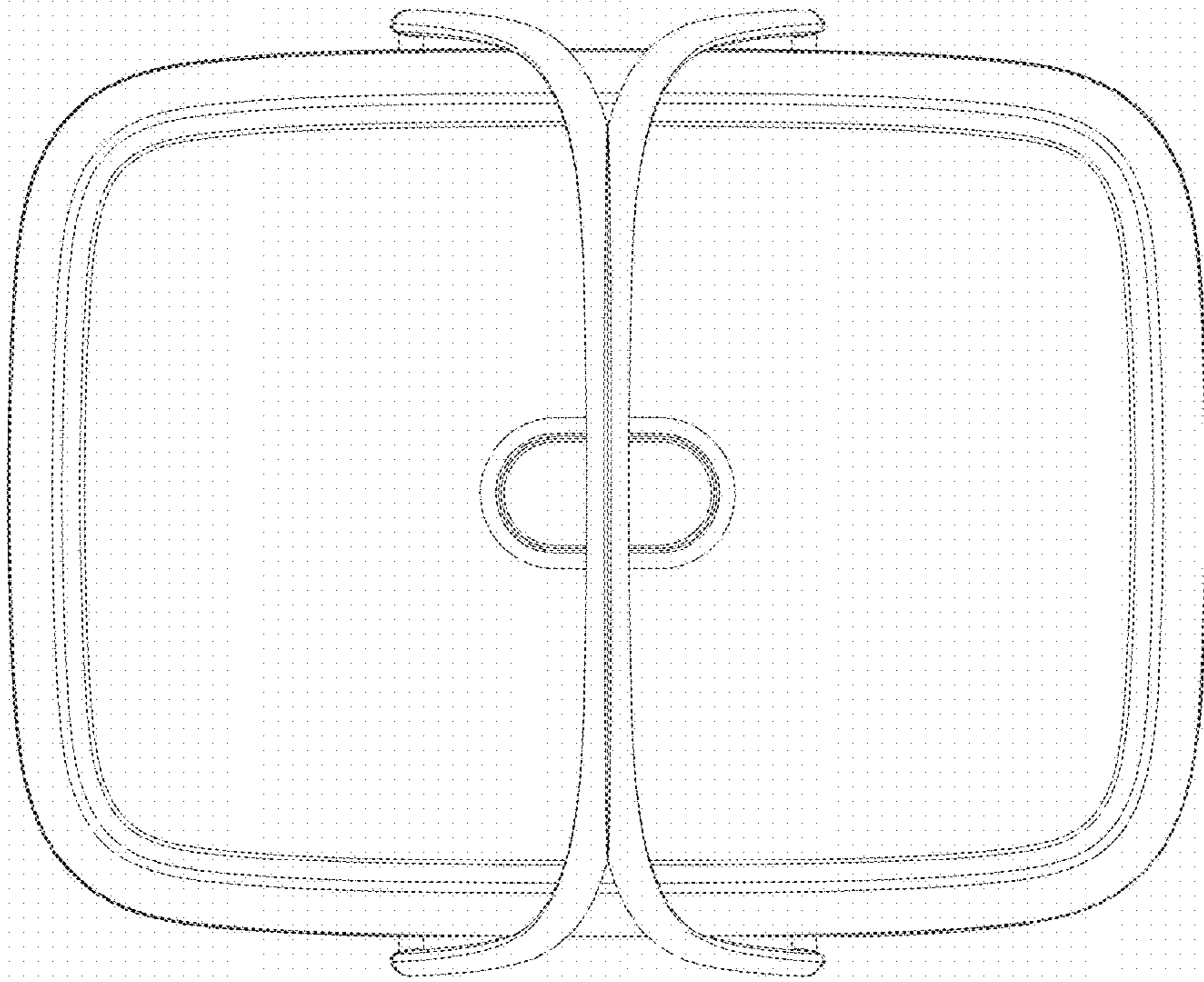


FIG. 4

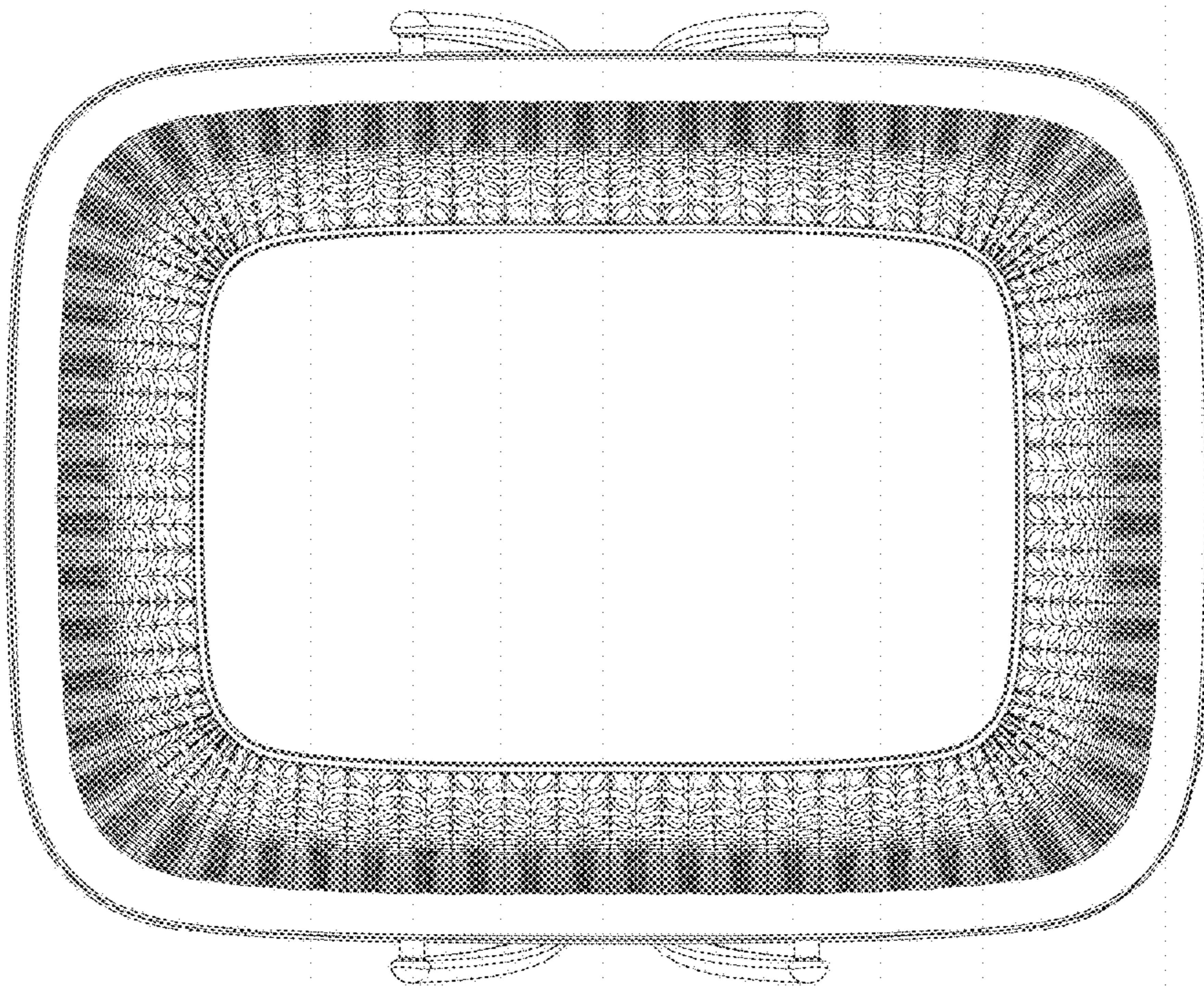


FIG. 5

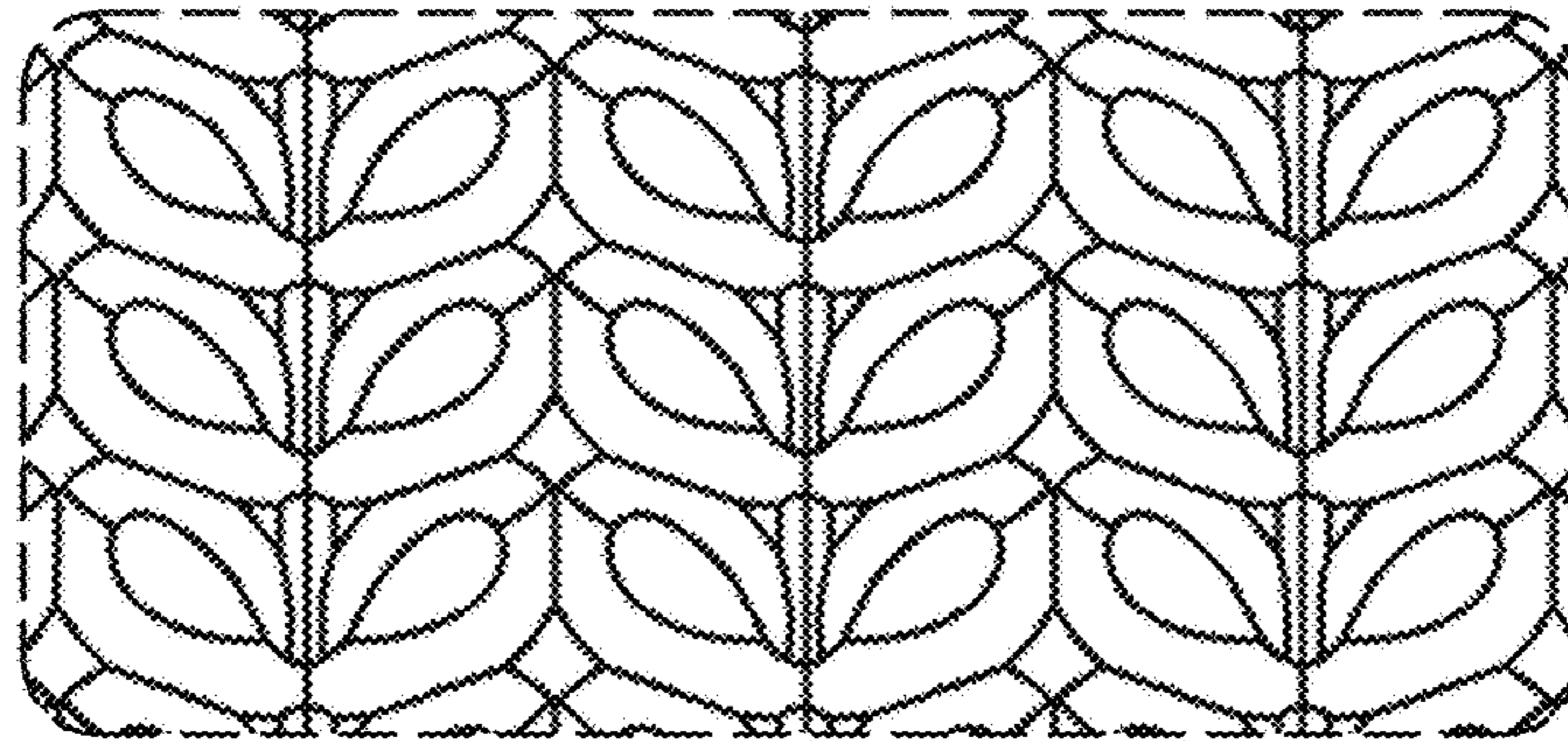


FIG. 6