



US00D873005S

(12) **United States Design Patent** (10) **Patent No.:** **US D873,005 S**
DeCarlo et al. (45) **Date of Patent:** **** *Jan. 21, 2020**

(54) **CONTAINER WITH DIGITAL LOCK**

(71) Applicant: **IdeaStream Consumer Products, LLC**, Cleveland, OH (US)

(72) Inventors: **Anthony DeCarlo**, Las Vegas, NV (US); **Zhenghong Li**, Shenzhen (CN)

(73) Assignee: **IdeaStream Consumer Products, LLC**, Cleveland, OH (US)

(*) Notice: This patent is subject to a terminal disclaimer.

(**) Term: **15 Years**

(21) Appl. No.: **29/631,689**

(22) Filed: **Jan. 2, 2018**

(51) **LOC (12) Cl.** **03-01**

(52) **U.S. Cl.**
USPC **D3/276; D3/294; D3/900**

(58) **Field of Classification Search**
USPC D3/203.1, 203.6, 226, 227, 232, 246, D3/247, 249, 251, 254, 273, 274, 276, D3/285, 289, 301, 901, 903, 294, 900
CPC A45C 3/00; A45C 2003/007; A45C 3/02; A45C 11/008; A45C 2200/10; A45C 5/005; A45D 2200/00
See application file for complete search history.

(56) **References Cited**

U.S. PATENT DOCUMENTS

D378,164 S *	2/1997	Lee	D3/276
D490,206 S *	5/2004	Perella	D99/28
D497,252 S *	10/2004	Perella	D3/272
D498,049 S *	11/2004	Perella	D3/273
D500,922 S *	1/2005	Perella	D3/273
D503,024 S *	3/2005	Perella	D99/28
D509,357 S *	9/2005	Perella	D3/267

D522,746 S *	6/2006	Perella	D3/276
D561,462 S *	2/2008	Perella	D3/206
D562,048 S *	2/2008	Perella	D3/272
D578,819 S *	10/2008	Perella	D3/294
D579,174 S *	10/2008	Decarlo	D3/273
D619,809 S *	7/2010	Huang	D3/276
D677,465 S *	3/2013	Cenzano	D3/276

OTHER PUBLICATIONS

Facebook, "Vaultz Products, Photo Timeline", Posted Sep. 7, 2011. (https://www.facebook.com/pg/VaultzProducts/photos/?ref=page_internal) (Year: 2011).*
Amazon, "Honeywell Safes & Door Locks—6108 Fire Resistant Steel Security Safe Box with Digital Lock", First on sale Feb. 19, 2013. (<https://www.amazon.com/dp/B00BTMU8VY/>) (Year: 2013).*

* cited by examiner

Primary Examiner — April Rivas

(74) *Attorney, Agent, or Firm* — Fay Sharpe LLP

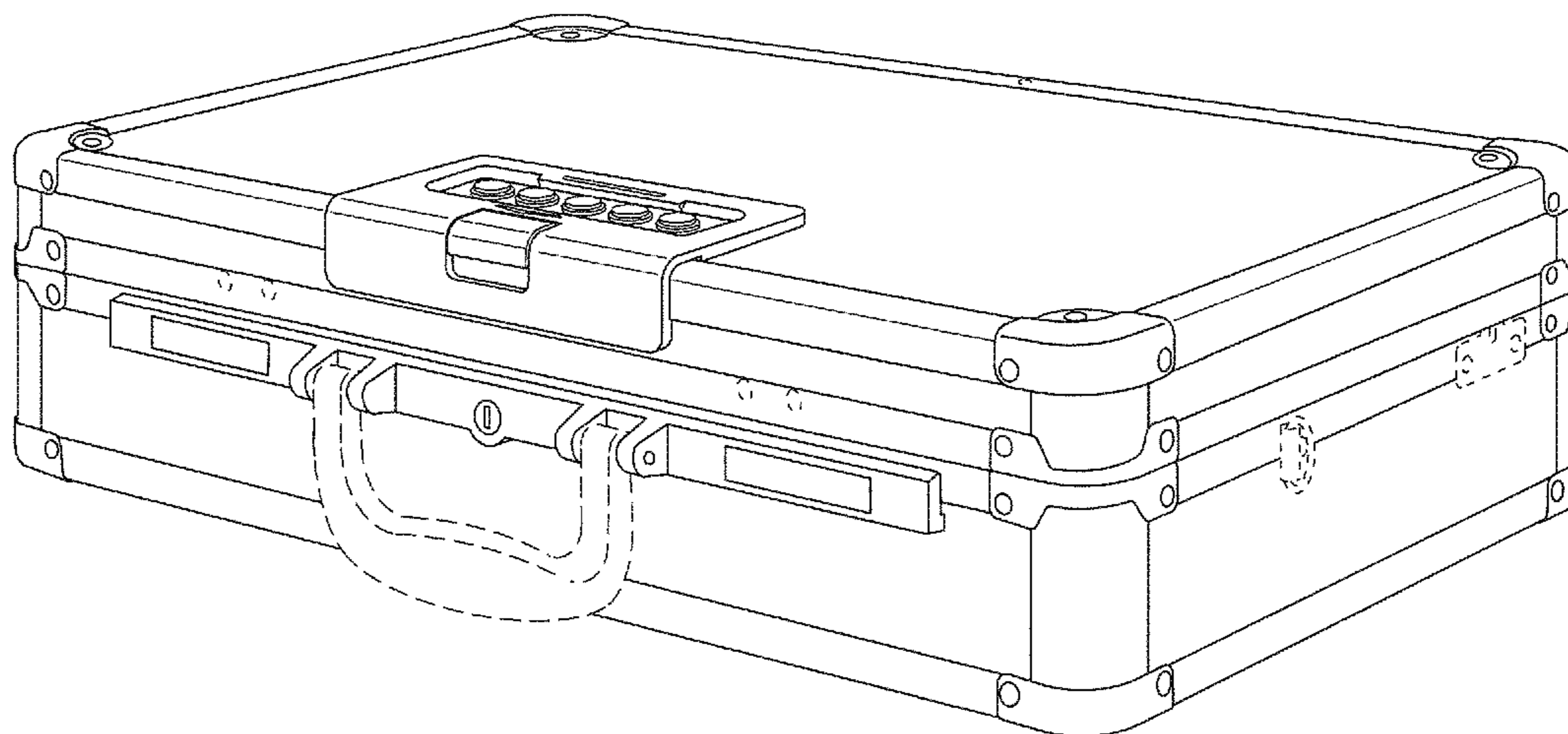
(57) **CLAIM**

The ornamental design for a container with digital lock, as shown and described.

DESCRIPTION

FIG. 1 is a front left perspective view of a container with digital lock of the present application;
FIG. 2 is a front elevational view of the container of FIG. 1;
FIG. 3 is a back elevational view of the container of FIG. 1;
FIG. 4 is a top plan view of the container of FIG. 1;
FIG. 5 is a right side elevational view of the container of FIG. 1;
FIG. 6 is a left side elevational view of the container of FIG. 1; and,
FIG. 7 is a bottom plan view of the container of FIG. 1.
The broken lines illustrate portions of the container with digital lock and form no part of the claimed design.

1 Claim, 5 Drawing Sheets



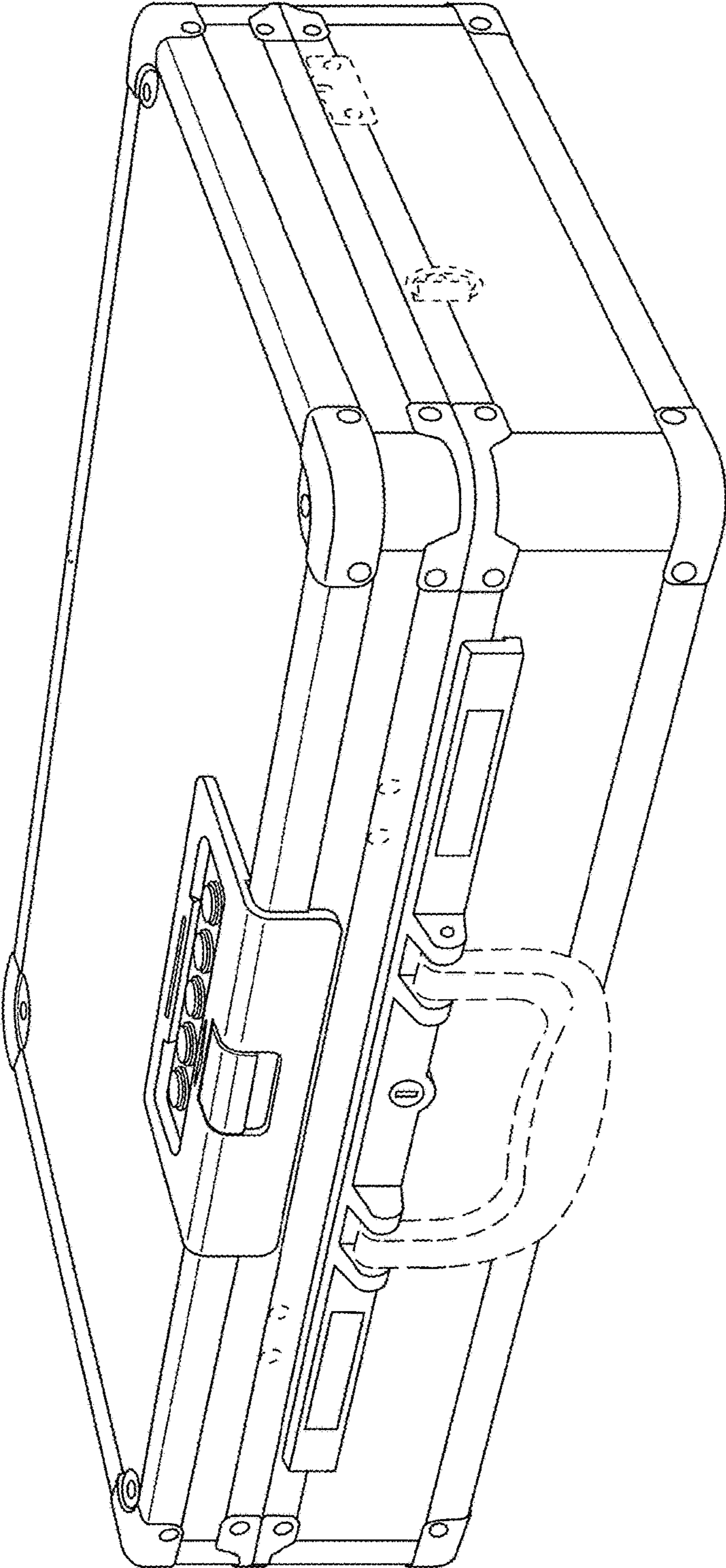


FIG. 1

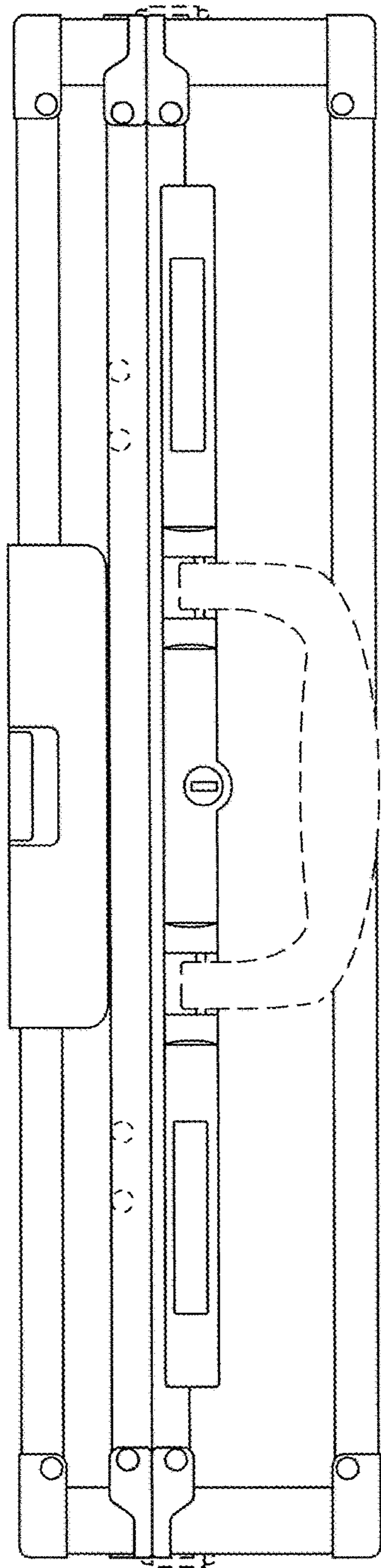


FIG. 2

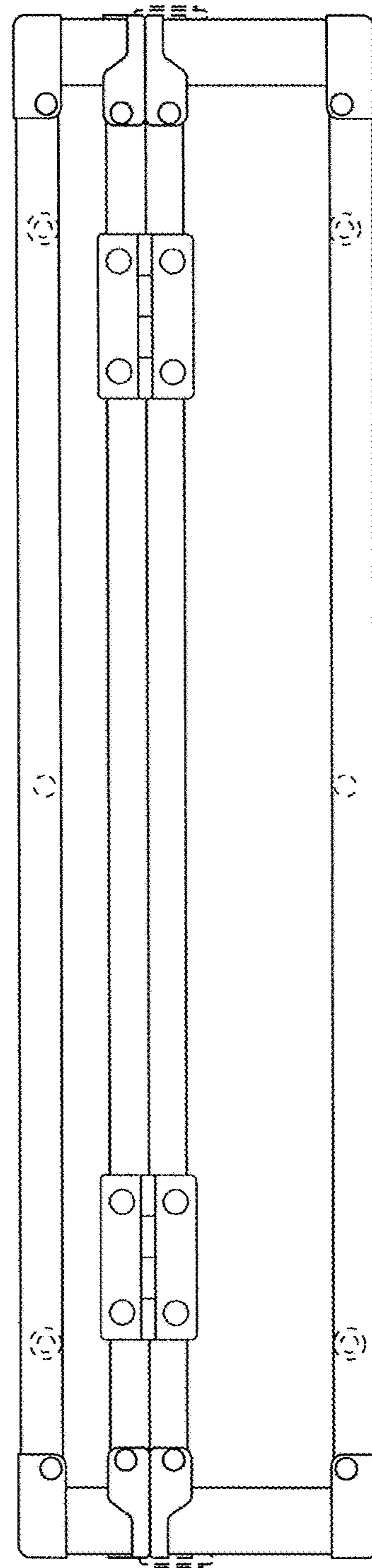


FIG. 3

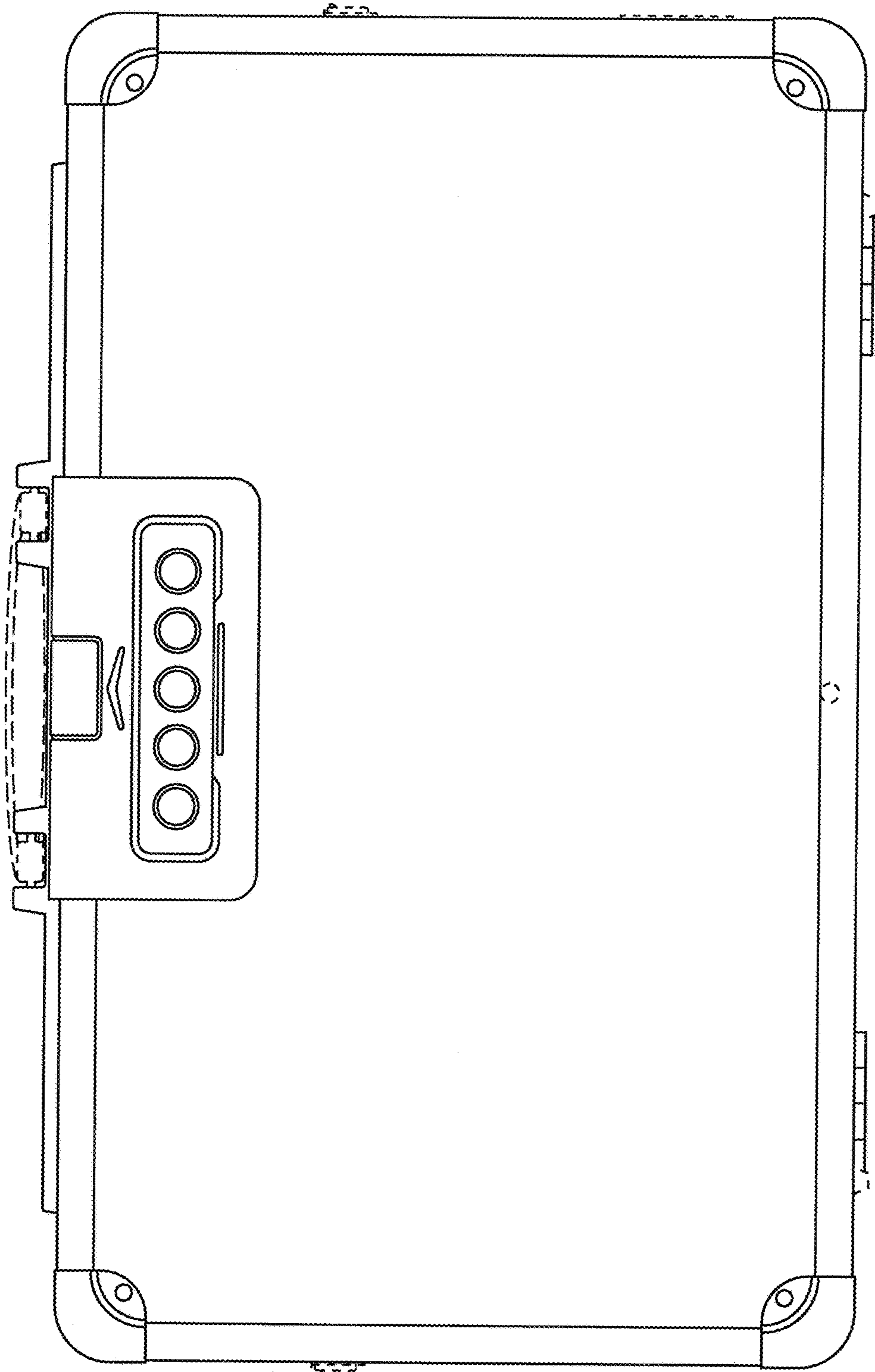


FIG. 4

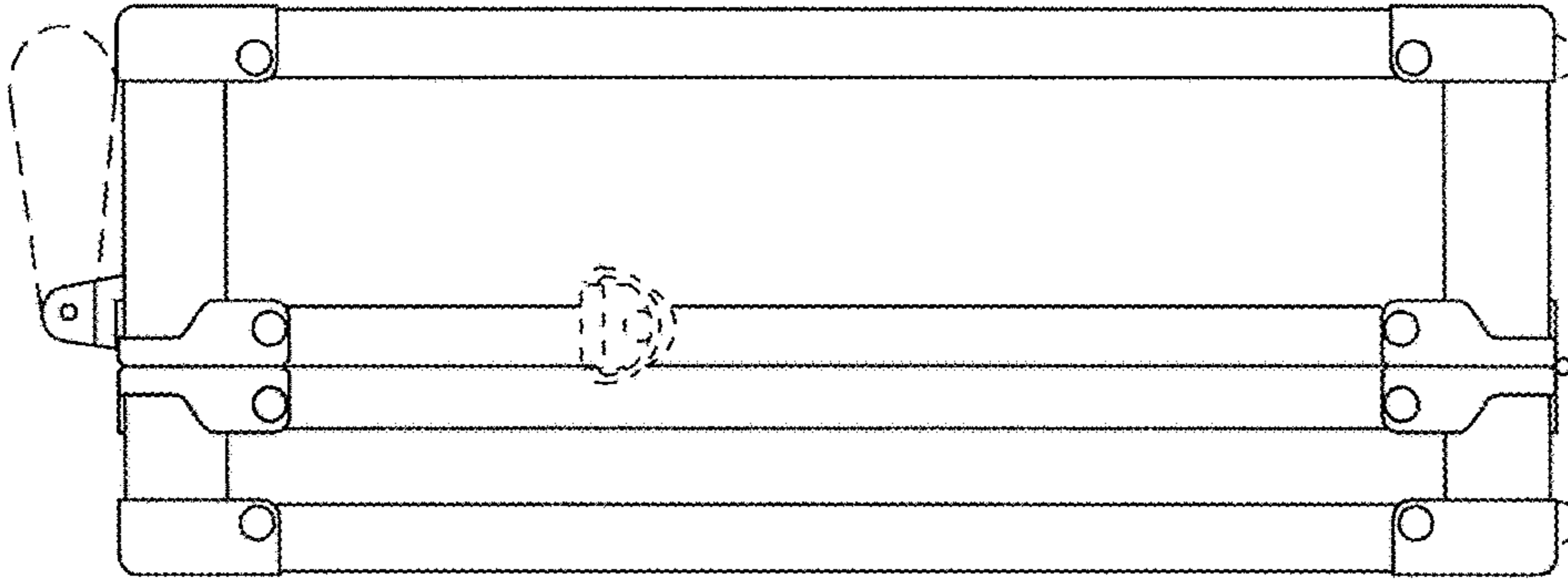


FIG. 6

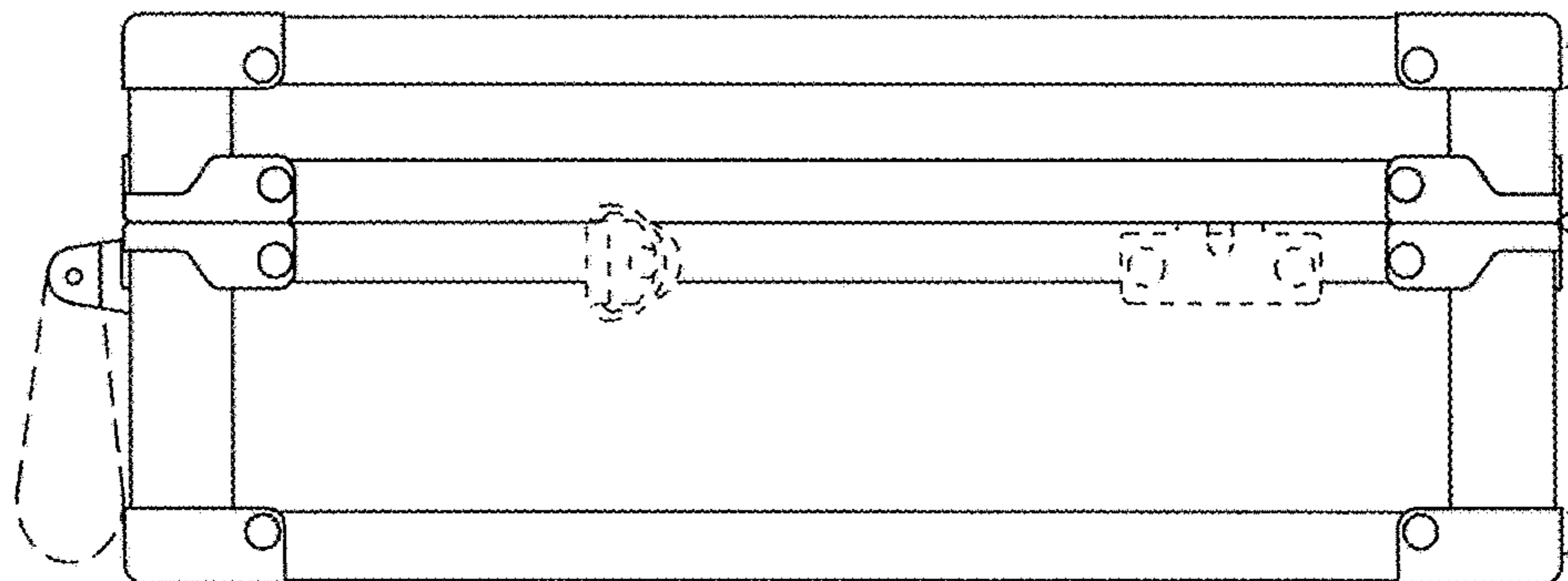


FIG. 5

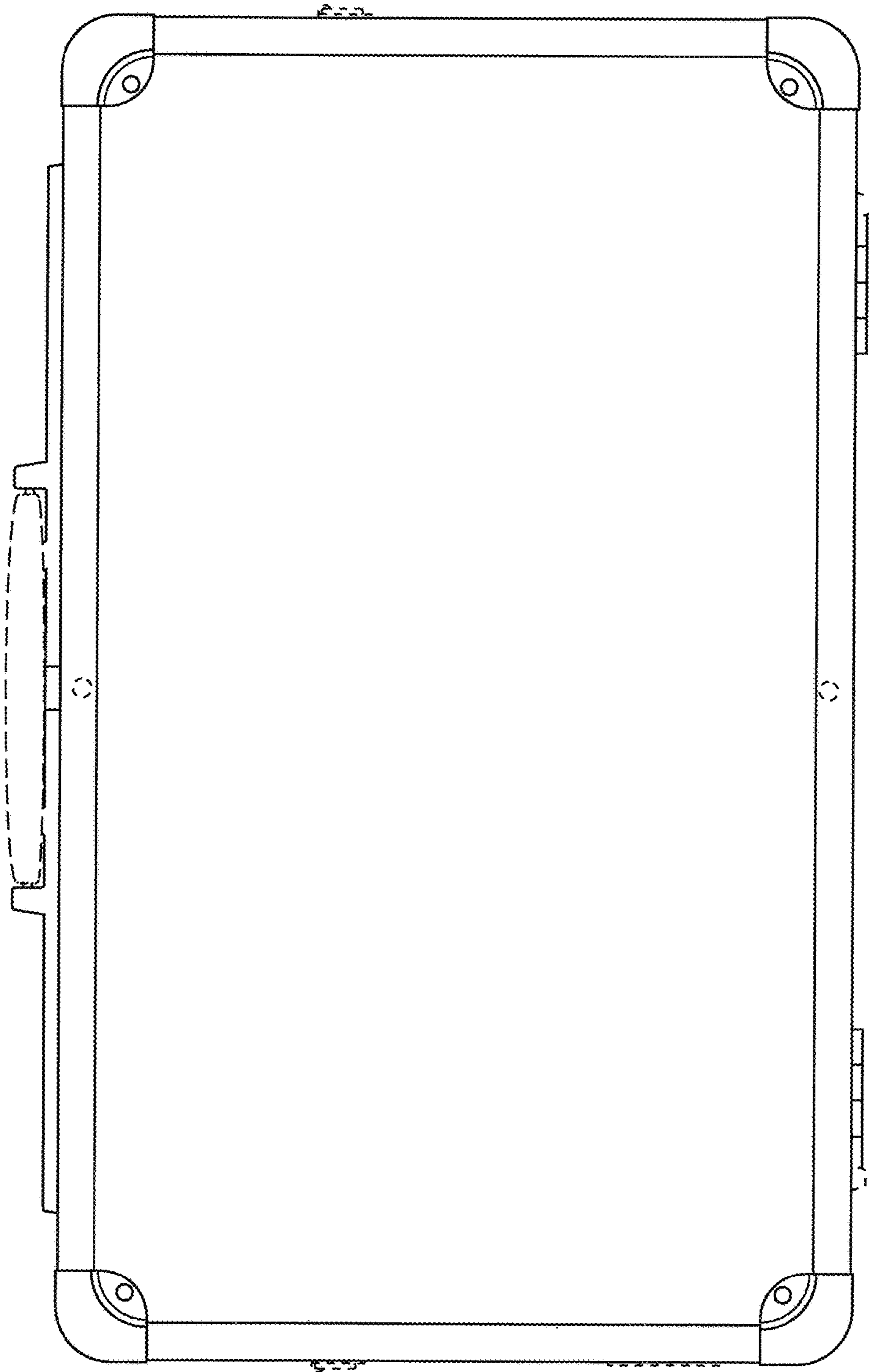


FIG. 7