



US00D873004S

(12) **United States Design Patent**
Shpitzer et al.

(10) **Patent No.:** **US D873,004 S**
(45) **Date of Patent:** **** Jan. 21, 2020**

(54) **ORGANIZER**

(71) Applicant: **The Stanley Works Israel Ltd.**, Rosh Ha'Ayin (IL)

(72) Inventors: **Yaron Shpitzer**, Rishon Le'Tsiyon (IL); **Ehud Ben Menashe**, Hod Ha'Sharon (IL)

(73) Assignee: **The Stanley Works Israel Ltd.**, Rosh Ha'Ayin (IL)

(**) Term: **15 Years**

(21) Appl. No.: **29/624,473**

(22) Filed: **Nov. 1, 2017**

(51) **LOC (12) Cl.** **03-01**

(52) **U.S. Cl.**
USPC **D3/276; D3/905**

(58) **Field of Classification Search**
USPC D3/273, 274, 276, 279, 282, 294, 297, D3/298, 905, 307, 313, 310
CPC B25H 3/00; B25H 3/003; B25H 3/006; B25H 3/02; H02J 7/0027
See application file for complete search history.

(56) **References Cited**

U.S. PATENT DOCUMENTS

D429,884 S	*	8/2000	Zurwelle	D3/276
D703,436 S	*	4/2014	Sabbag	D3/281
D738,106 S	*	9/2015	Shitrit	D3/276
D742,640 S	*	11/2015	Sabbag	D3/281
D753,394 S	*	4/2016	Brunner	D3/276
D757,435 S	*	5/2016	Damberg	B25H 3/021
					D3/284
D790,221 S	*	6/2017	Yahav	D3/294
D798,053 S	*	9/2017	Shitrit	D3/276
D799,822 S	*	10/2017	Kanda	D3/276

D814,187 S	*	4/2018	Caglar	D3/276
D819,331 S	*	6/2018	Ballou	D3/276
D833,743 S	*	11/2018	Tonelli	D3/279
D841,982 S	*	3/2019	Kogel	D3/282

OTHER PUBLICATIONS

Home Depot, "Makita Steel Contractor Bit Set (66-Piece)", First reviewed Dec. 13, 2016. (https://www.homedepot.com/p/Makita-Steel-Contractor-Bit-Set-66-Piece-B-51661/206833216?cm_mmc=Shopping) (Year: 2016).*

Home Depot, "Bosch 6 in. H x 14 in. W x 17.5 in. L 1-Compartment Small Parts Organizer", First reviewed Apr. 2, 2012. (https://www.homedepot.com/p/Bosch-6-in-H-x-14-in-W-x-17-5-in-L-1-Compartment-Small-Parts-Organizer-LBOXX-2/202716977?cm_mmc=Shopping) (Year: 2012).*

* cited by examiner

Primary Examiner — April Rivas

(74) *Attorney, Agent, or Firm* — Bruce S. Shapiro

(57) **CLAIM**

The ornamental design for an organizer, as shown and described.

DESCRIPTION

FIG. 1 is a perspective view of the top side of my new design.

FIG. 2 is a front side elevational view.

FIG. 3 is a back side elevational view thereof.

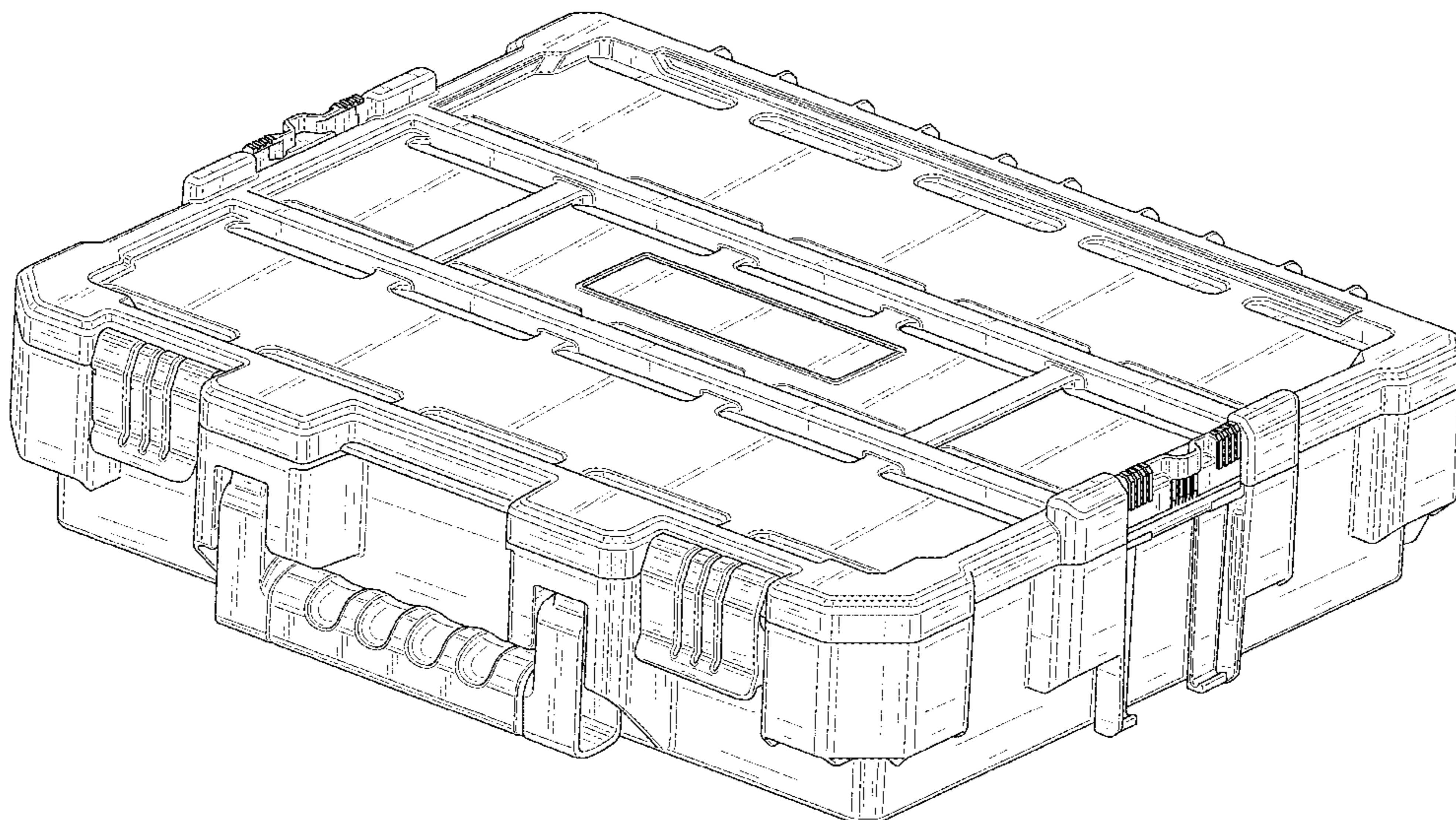
FIG. 4 is a left side elevational view thereof.

FIG. 5 is a right side elevational view thereof.

FIG. 6 is a top plan view thereof; and,

FIG. 7 is a perspective view of the bottom side thereof.

1 Claim, 7 Drawing Sheets



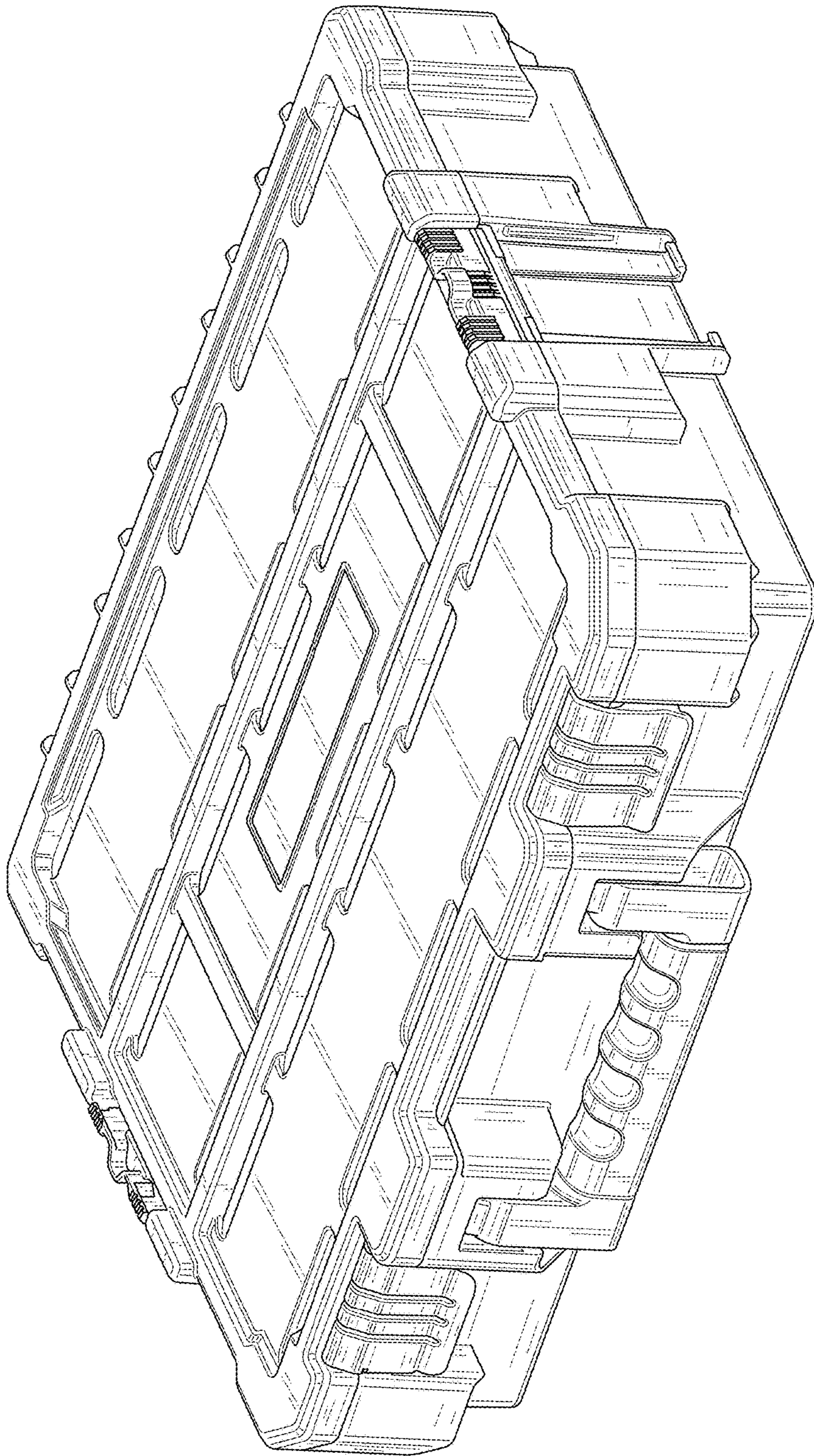


FIG. 1

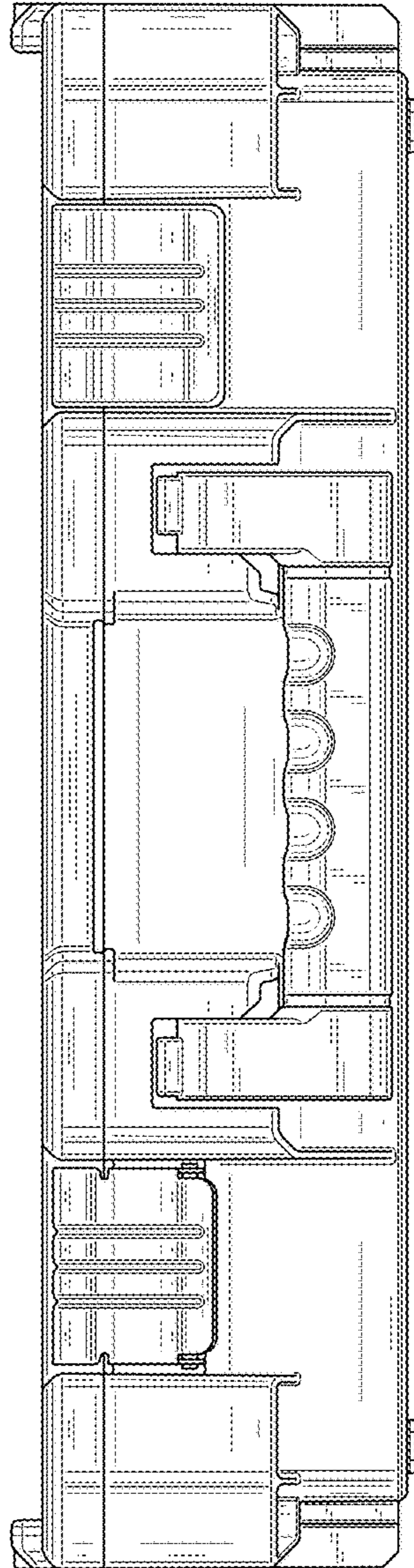


FIG. 2

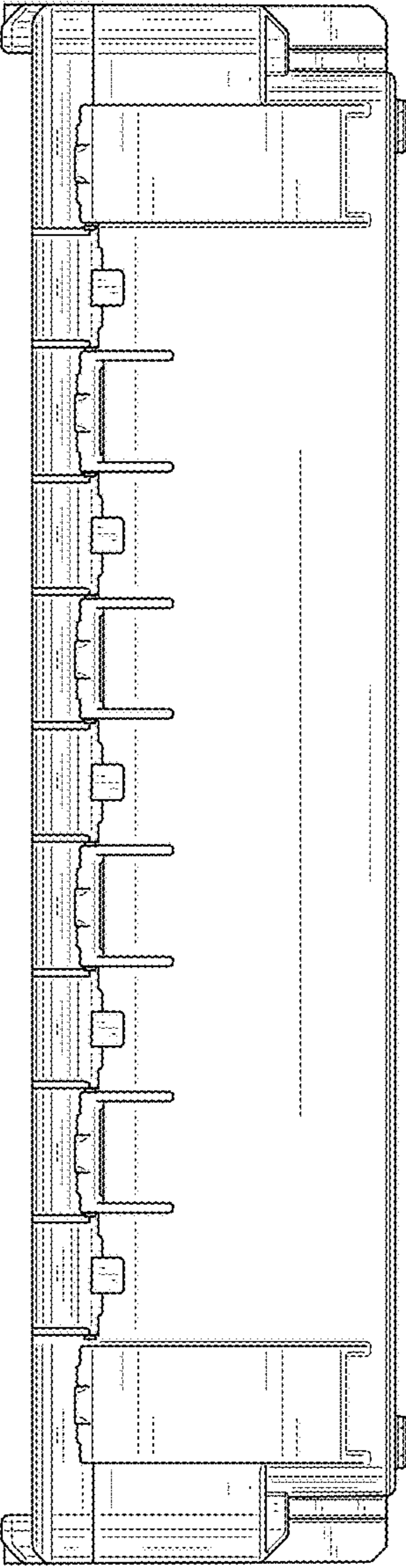


FIG. 3

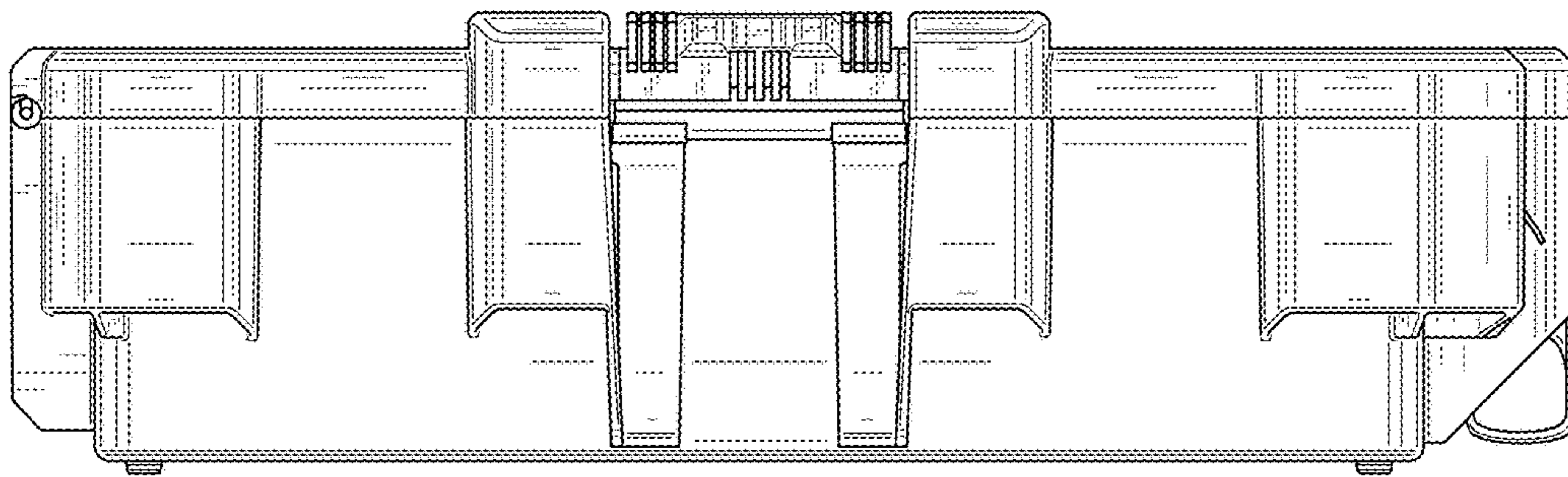


FIG. 4

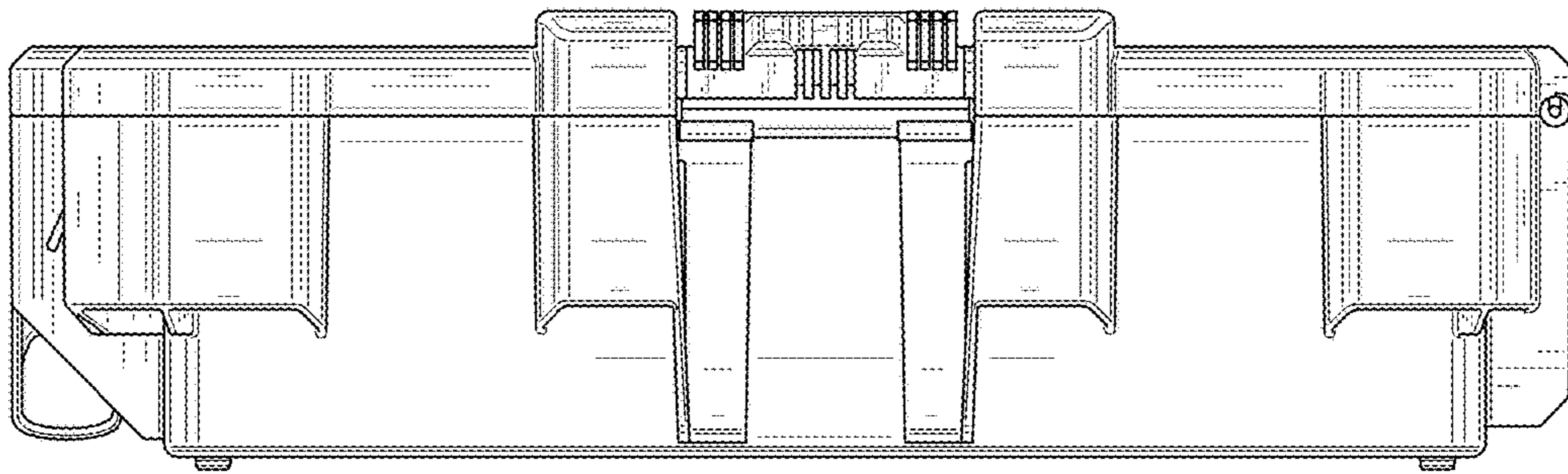


FIG. 5

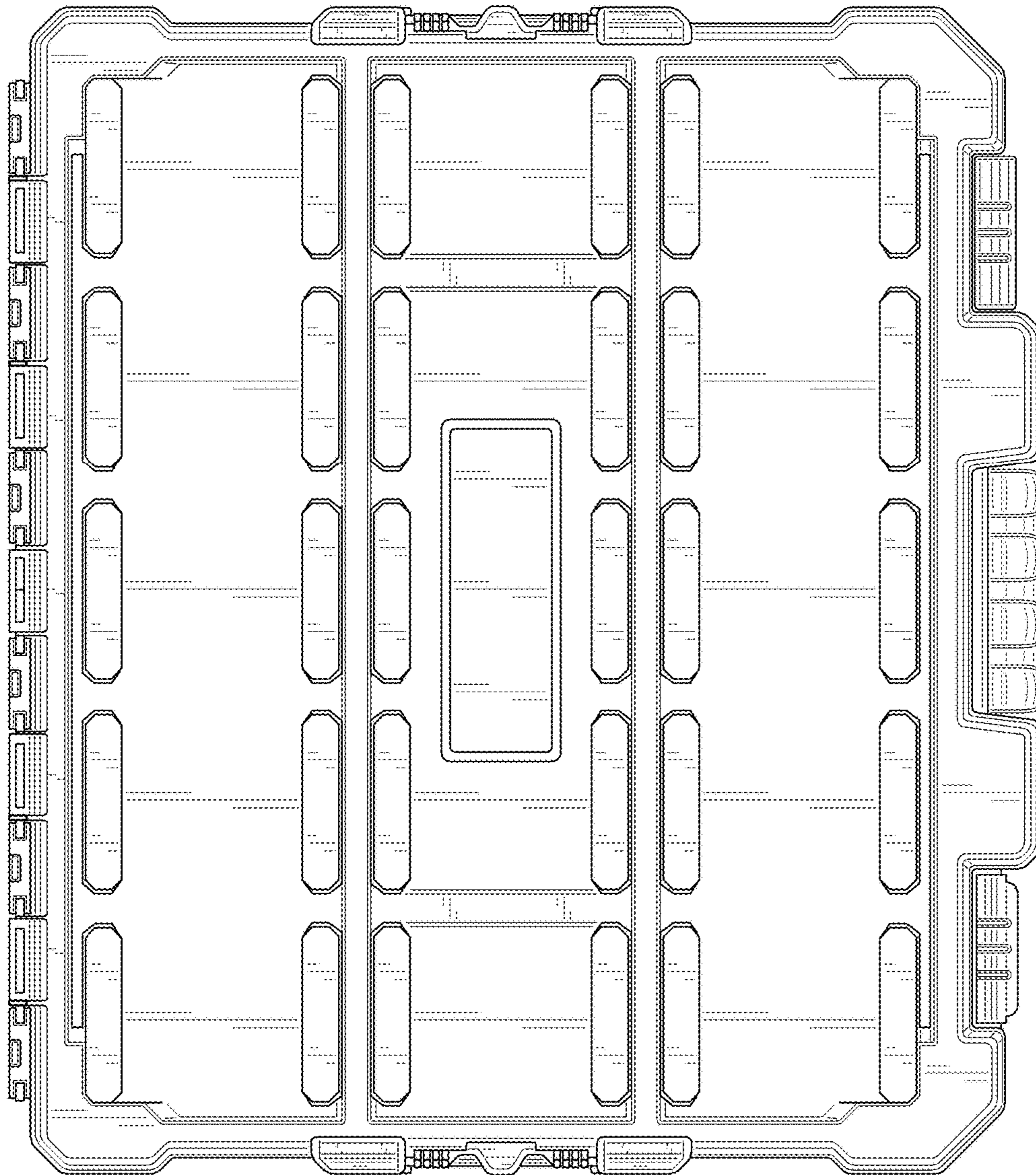


FIG. 6

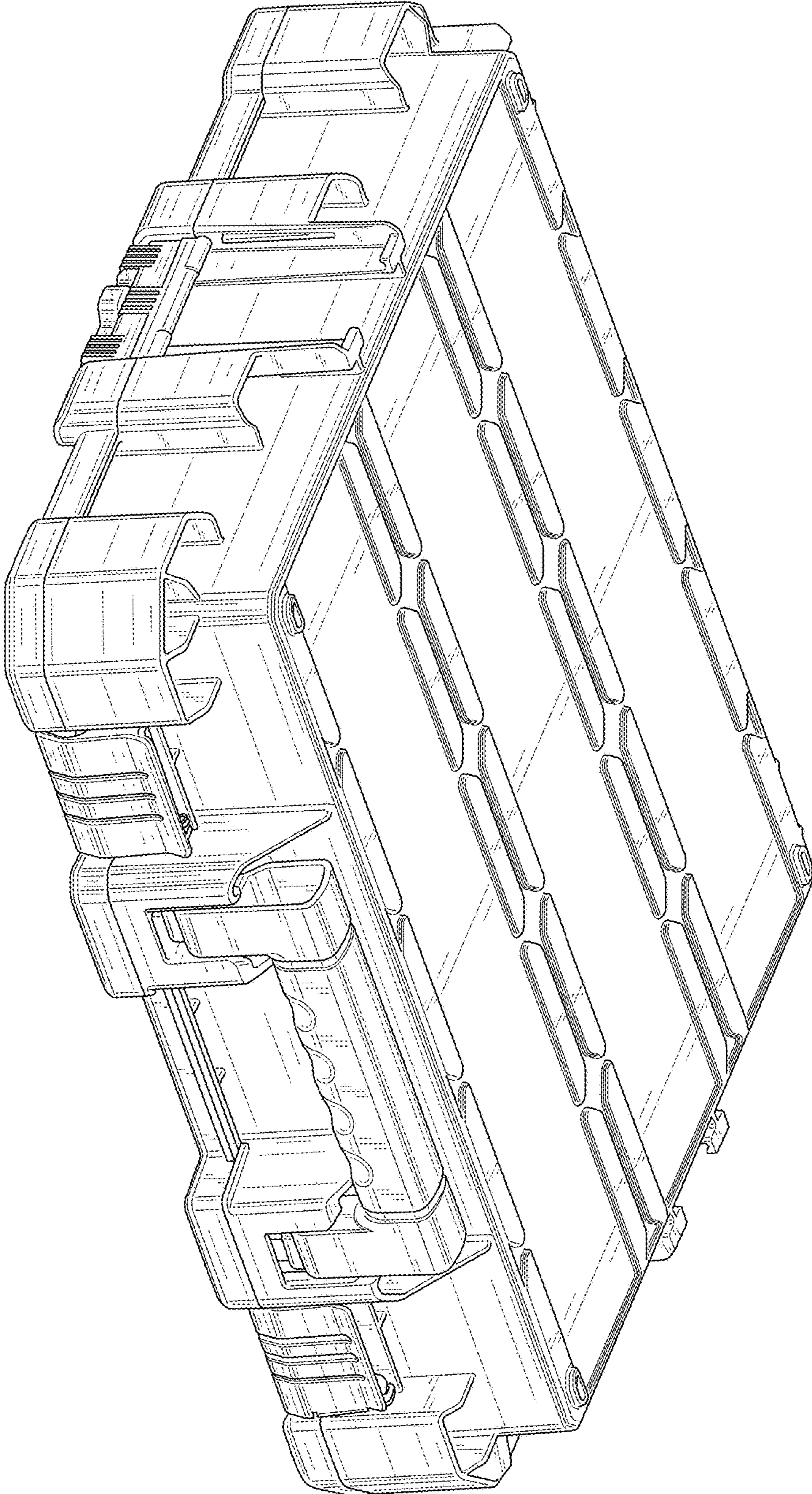


FIG. 7