



US00D873003S

(12) **United States Design Patent**
Beilman

(10) **Patent No.:** **US D873,003 S**

(45) **Date of Patent:** **** Jan. 21, 2020**

(54) **COSMETIC CASE**

(71) Applicant: **Debra L. Beilman**, Ft. Lauderdale, FL
(US)

(72) Inventor: **Debra L. Beilman**, Ft. Lauderdale, FL
(US)

(**) Term: **15 Years**

(21) Appl. No.: **29/621,573**

(22) Filed: **Oct. 10, 2017**

(51) **LOC (12) Cl.** **03-01**

(52) **U.S. Cl.**
USPC **D3/275**; D3/284; D3/295; D3/299;
D3/901; D28/76

(58) **Field of Classification Search**
USPC D3/205, 245, 273, 274, 285, 287, 291,
D3/294, 296, 901, 900, 903, 275, 295,
D3/284, 299; D28/76, 77
CPC A45C 1/02; A45C 2003/008; A45C 3/02;
A45C 5/005; A45C 2011/007; A45D
29/20; A45D 33/008

See application file for complete search history.

(56) **References Cited**

U.S. PATENT DOCUMENTS

1,414,899 A	5/1922	Sabatelli
1,592,457 A	7/1926	Greenberg
2,003,824 A	6/1935	Cavalero
2,084,292 A	6/1937	Steiner
D108,590 S	2/1938	Zell
2,117,140 A	5/1938	Bowen
D111,117 S	9/1938	Gamble
2,278,866 A	4/1942	Dell'Elba
D139,428 S	11/1944	Morris
D162,402 S	3/1951	Gold
2,570,314 A	10/1951	Brand
2,649,799 A	8/1953	Spertus
2,916,841 A	12/1959	Denis
D202,160 S	8/1965	Territo
D224,921 S	10/1972	Daniels et al.

D230,773 S	3/1974	Arnold
3,921,649 A	11/1975	Milbrath
4,509,622 A	4/1985	Morszeck
4,526,273 A	7/1985	Tsuji et al.

(Continued)

FOREIGN PATENT DOCUMENTS

GB 2363712 1/2002

OTHER PUBLICATIONS

Ulta Beauty, "Soho Triple Slider Burgundy Wine Beauty Case", First reviewed "2 Years Ago". (<https://www.ulta.com/triple-slider-burgundy-wine-beauty-case?productId=xslmpprod14621153>) (Year: 2017).*

(Continued)

Primary Examiner — April Rivas

(74) *Attorney, Agent, or Firm* — Malloy & Malloy, P.L.

(57) **CLAIM**

The ornamental design for cosmetic case, as shown and described.

DESCRIPTION

FIG. 1 is a front perspective view illustrating my design for a cosmetic case;

FIG. 2 is a front elevation view thereof;

FIG. 3 is a left side view thereof;

FIG. 4 is a top view thereof;

FIG. 5 is a right side view thereof;

FIG. 6 is a bottom view thereof;

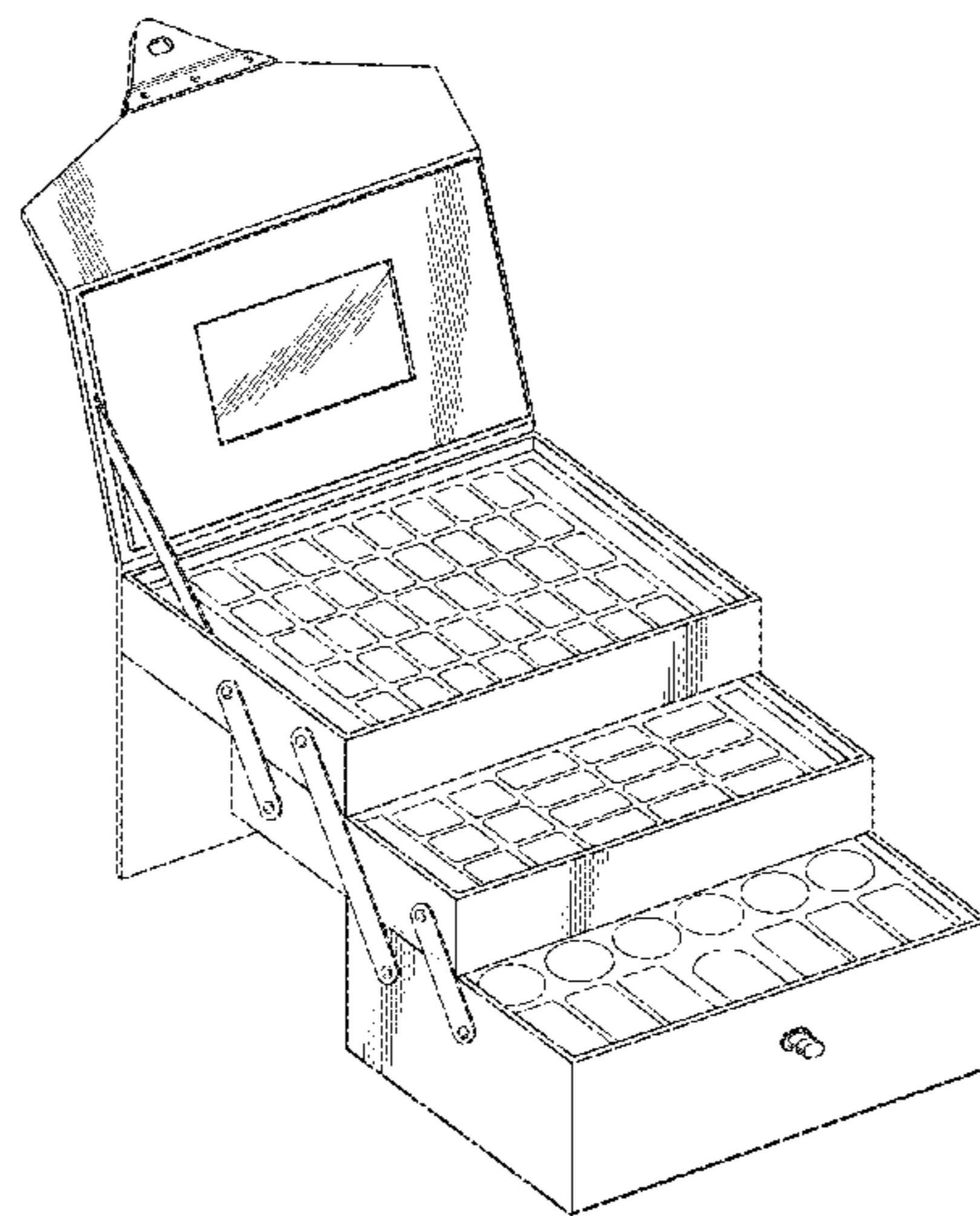
FIG. 7 is a rear view thereof;

FIG. 8 is a perspective view, with the top lid shown open, thereof; and,

FIG. 9 is a perspective view, with the top lid shown open and the base expanded, thereof.

The broken lines illustrate stitching and form part of the claimed design.

1 Claim, 9 Drawing Sheets



(56)

References Cited

U.S. PATENT DOCUMENTS

4,574,944 A 3/1986 Gregory
 D293,724 S 1/1988 Kingsford et al.
 D308,756 S 6/1990 Turner
 D321,284 S 11/1991 Marsella et al.
 D342,156 S 12/1993 Turner
 D344,412 S 2/1994 Barnhart
 D351,729 S 10/1994 Weber-Unger et al.
 5,363,969 A 11/1994 Shen
 D361,430 S 8/1995 Mohundro
 D370,342 S 6/1996 Gwyther
 5,813,420 A 9/1998 Sussman
 D411,648 S 6/1999 Markham
 D413,627 S 9/1999 Gray
 D415,614 S 10/1999 Akaike
 D417,783 S * 12/1999 Wolf D3/275
 D418,298 S * 1/2000 Wolf D3/275
 6,045,202 A 4/2000 Simon
 D444,596 S 7/2001 Lai
 6,349,494 B1 2/2002 Haggarty-Robbins
 D454,687 S 3/2002 Wolf
 D455,550 S 4/2002 Wolf
 D455,902 S 4/2002 Wolf
 D457,687 S 5/2002 Millar
 D467,428 S 12/2002 Wolf
 D471,010 S 3/2003 Wolf
 D475,197 S 6/2003 Stoddard
 D475,811 S 6/2003 Bontempo
 D480,211 S 10/2003 Wolf
 D482,210 S 11/2003 Bishop
 D485,018 S 1/2004 Beilman
 D485,066 S * 1/2004 Wolf D3/291
 D485,067 S 1/2004 Wolf
 D485,682 S * 1/2004 Wolf D3/291
 D493,919 S 8/2004 Beilman
 D496,791 S 10/2004 Perella et al.
 D499,883 S 12/2004 Parella
 D504,039 S 4/2005 Perella
 D510,189 S * 10/2005 Greiner D3/284
 D517,737 S 3/2006 Lai
 D522,746 S 6/2006 Perella
 D522,748 S * 6/2006 Kim D3/294
 D524,989 S 7/2006 Lombardi
 D527,521 S 9/2006 Sijmons
 D542,475 S 5/2007 Martinez
 D561,462 S 2/2008 Perella
 D577,196 S 9/2008 Hayden
 D588,810 S 3/2009 Rowlett et al.
 D614,814 S 4/2010 Lin
 D631,201 S 1/2011 Lai
 D642,373 S 8/2011 Decarlo
 D657,915 S 4/2012 Lai
 D671,742 S 4/2012 Cenzano et al.
 D687,187 S 7/2013 Lai
 D688,006 S 8/2013 Lai
 D688,831 S 8/2013 Giardina
 D692,183 S 10/2013 Lai
 D723,794 S 3/2015 Lai
 D728,860 S 5/2015 Blanch
 D732,519 S 6/2015 Aspinall et al.
 D734,549 S 7/2015 Waller
 D735,993 S 8/2015 Koepke et al.
 D736,519 S 8/2015 Chui
 D740,019 S 10/2015 Hynek
 D745,276 S 12/2015 Wang
 D752,290 S * 3/2016 Beilman D28/73
 D757,434 S * 5/2016 Beilman D28/76
 D770,770 S 11/2016 White
 D773,185 S 12/2016 Beilman et al.
 D773,186 S * 12/2016 Beilman D3/284
 D774,759 S 12/2016 Beilman et al.
 D777,429 S * 1/2017 Mangano D3/275
 D779,201 S 2/2017 Beilman et al.

D831,353 S * 10/2018 Aderinto D3/284
 D839,585 S 2/2019 Bielman
 2004/0003825 A1 1/2004 Kelly
 2004/0188275 A1* 9/2004 Wolf A45C 11/16
 206/6.1
 2007/0235056 A1 10/2007 Vintimiglia et al.
 2009/0139878 A1 6/2009 Wejrowski
 2014/0299151 A1 10/2014 Stroud
 2015/0114852 A1* 4/2015 Torline A47F 7/03
 206/6.1

OTHER PUBLICATIONS

The Cosmetic Center Advertising Circular, 1991, Second Page Item Q on Lower Left.
 Hong Kong Enterprise June 1993, p. 202: Item No. G902OB.
 Hong Kong Enterprise Oct. 1994, p. 760: Item No. M17D.
 Cameo Cosmetics. "M229 Train Case". Accessed Nov. 2, 2015. (<http://www.cameocosmetics.com/m229-train-case/>).
 Google Image Search. "Ulta Sparkle Shine Kit", Accessed Nov. 2, 2015. (https://www.google.com/search?q=ulta+sparkle+shine+kit&es_sm=122&source=lnms&tbn=isch&sa=X&ved=0CAgQ_AUoAmoVChMlu4T-5Y_yyAIVgWomCh0mWgkD&biw=1920&bih=1067#imgrc=uWr-Z3gEyjn0MM%3A).
 Amazon.com, "Ivation All-In-One Makeup Kit in Highly Fashionable Red Leather-look Train Case". Reviewed Sep. 21, 2014. Accessed Oct. 30, 2015. (http://www.amazon.com/Ivation-All-In-One-Makeup-Fashionable-Leather-look/dp/B00N9A78HG/ref=cm_cr_pr_product_top?ie=UTF8).
 Amazon.com, "Shany All in One Makeup Kit". Reviewed Nov. 12, 2012. Accessed Sep. 30, 2015. (http://www.amazon.com/SHANY-Eyeshadow-Blushes-Lipstick-Exclusive/dp/B008PW0PY6/ref=cm_cr_pr_product_top?ie=UTF8).
 Giordano Colors, "Catalog" p. 2, item indicated with arrow. Accessed Oct. 30, 2015. (<http://www.giordanocolors.com/#!/products/c24vq>).
 youtube.com user "Supermodel Secrets", "Listen Listen Listen! Shany USA Home and Professional Make Up Sets Review" Video published Jan. 2, 2013. Accessed Oct. 30, 2015. (<https://www.youtube.com/watch?v=9NbZrCG2D2U>).
 Avon Lady of NJ Blog. "Are you set to give?!", posted Nov. 23, 2013. Accessed Nov. 2, 2015. p. 2 "Gilded Treasures Makeup Set" (<http://avonladynj.com/2013/11/23/are-you-set-to-give/>).
 YouTube, "Giveaway Prize Details! Ulta Be Discovered 67 Piece Collection", (3:50-8:32 relevant), Posted Nov. 20, 2015, Accessed Apr. 6, 2016, (<https://www.youtube.com/watch?v=Azu7Qdta8Po>).
 AliExpress, "... Yellow Jewelry holder Elliptic Large space jewelry box", Accessed Apr. 13, 2016, (<http://www.aliexpress.com/...pendants-yellowjewelry-holder-Elliptic-Large-space-jewelry/1388033940.html?spm=2114.40010308.4.105.DL9Gbr>).
 Freebies for a Cause Blog, "Ulta:\$175 Worth of Ulta Cosmetics Just \$22.44 Shipped! . . .", Accessed Apr. 6, 2016. Posed Oct. 4, 2015. (<http://freebiesforacause.com/ulta-175-worth-of-ulta-cosmetics-just-22-44-sguoed-plust-possible-2x-ultamate-rewards-points/>).
 Amazon.com, "Shany Carry All Trunk Professional Makeup Kit" Accessed Apr. 6, 2016, Reviewed as early as Dec. 2, 2010. (http://www.amazon.com/gp/product/B002XXAUE8/ref=s9_dcacsd_bhz_bw_c_x_1).
 DIY Trade, "Handle Makeup Case", Image 6 indicated with an arrow and square, Accessed Apr. 13, 2016. (http://www.diytrade.com/china/pd/127871_83/Handle_make_up_case.html).
 Alibaba, "Cute Pink PU leather jewelry boxes with handle", Accessed Apr. 13, 2016. (www.alibaba.com/product-detail/Pink-Cute-PU-leather-jewellery-boxes_472697380.html).
 Aliexpress, "Free Shipping With independent small bag earrings necklaces . . . space jewelry box".
 Youtube,, "Ulta Illuminate the Day Collection | Kit De Maquillage" uploaded by user "Kadiba Beauty" on Jan. 7, 2018. (https://www.youtube.com/watch?v=7OaElr_PFCc) (Year: 2018).

* cited by examiner

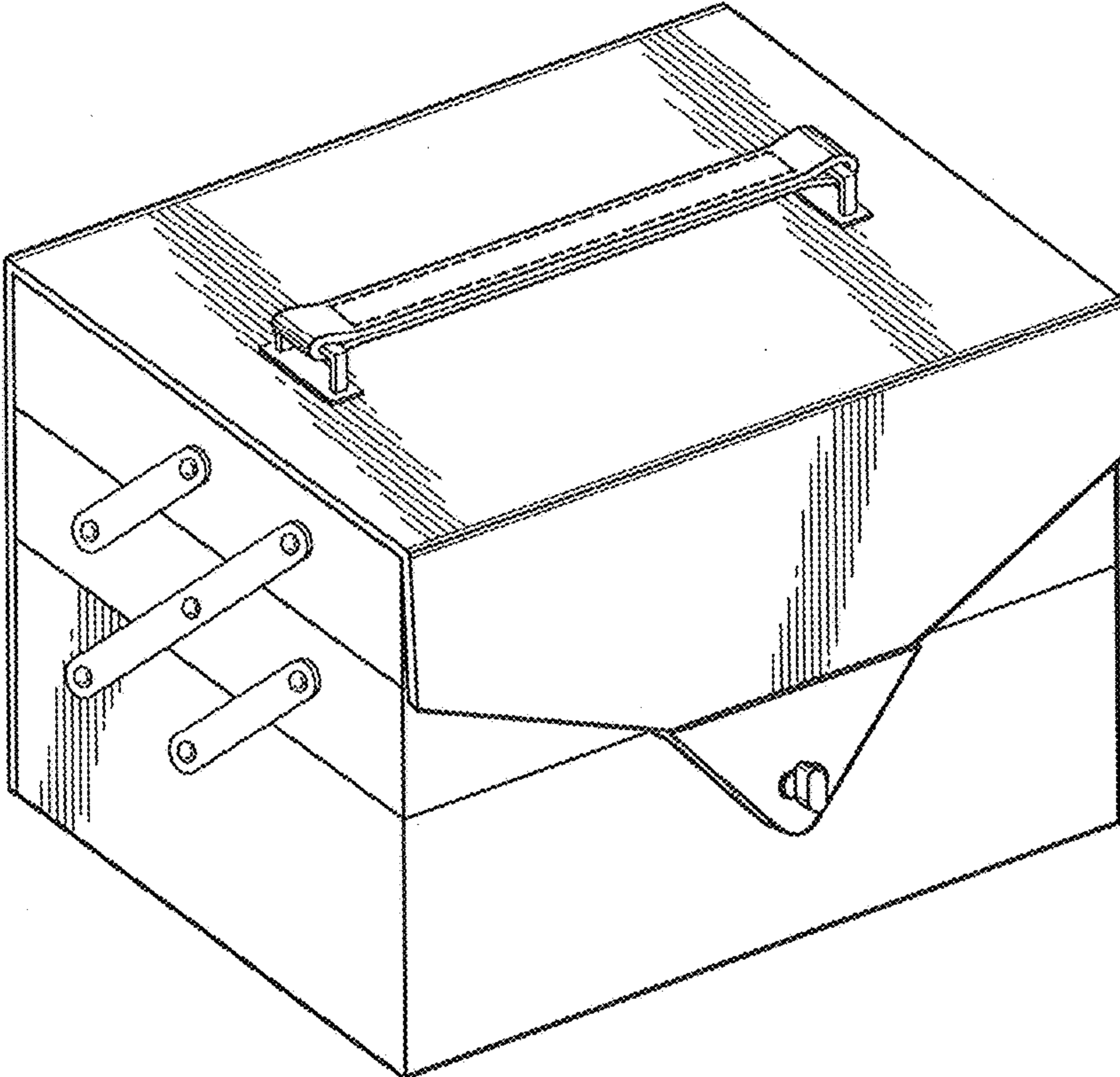


FIG. 1

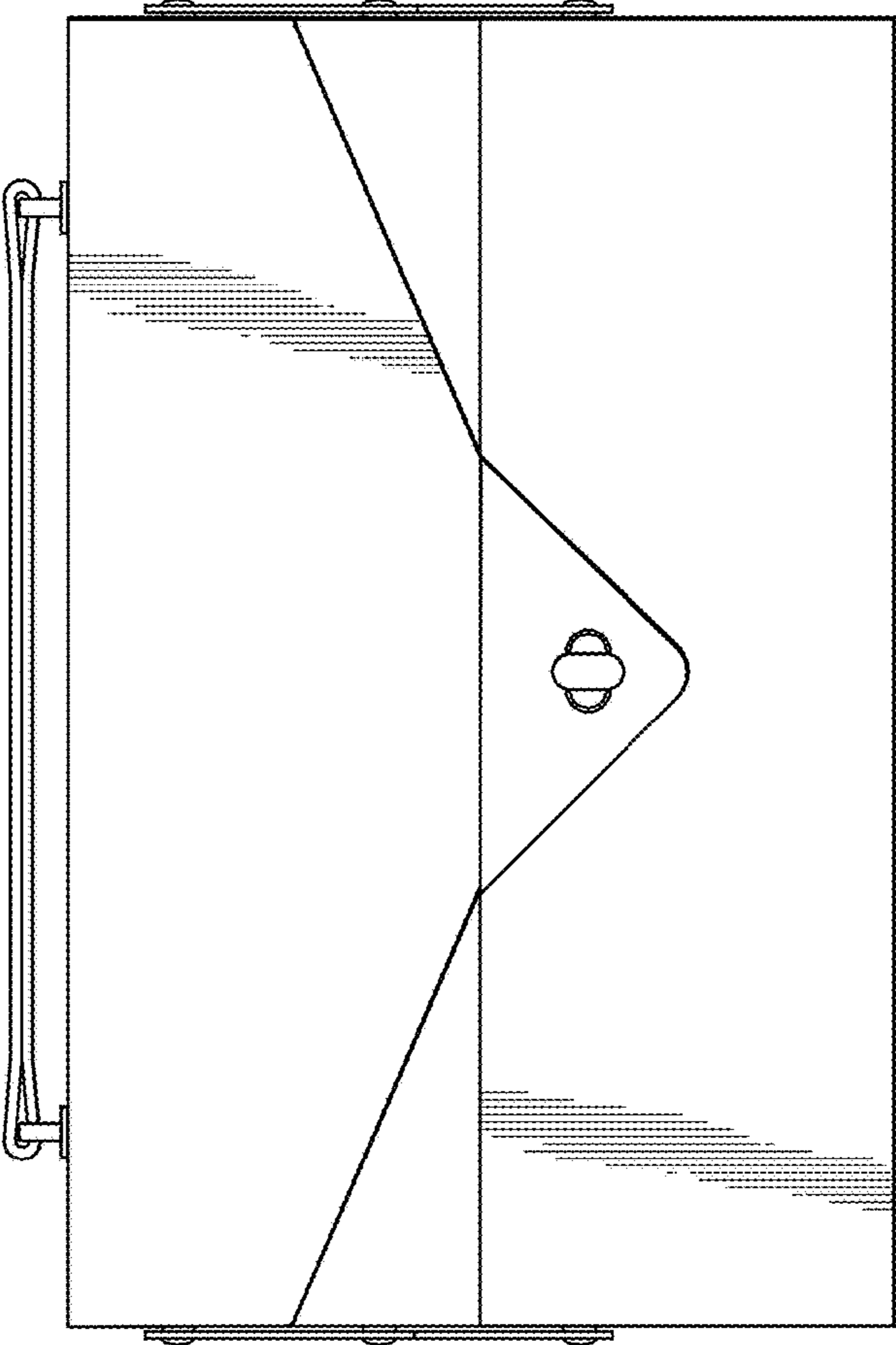


FIG. 2

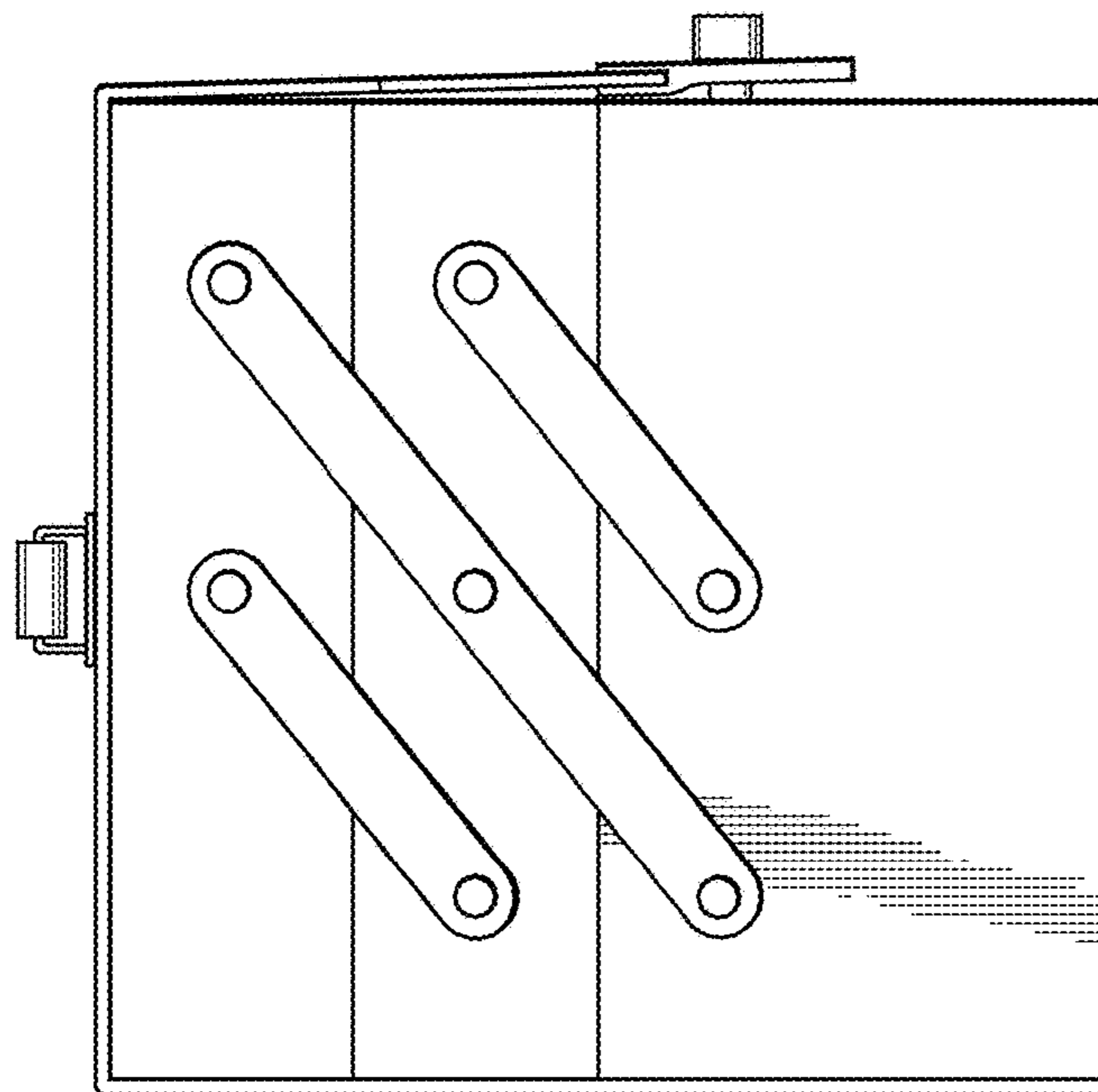


FIG. 3

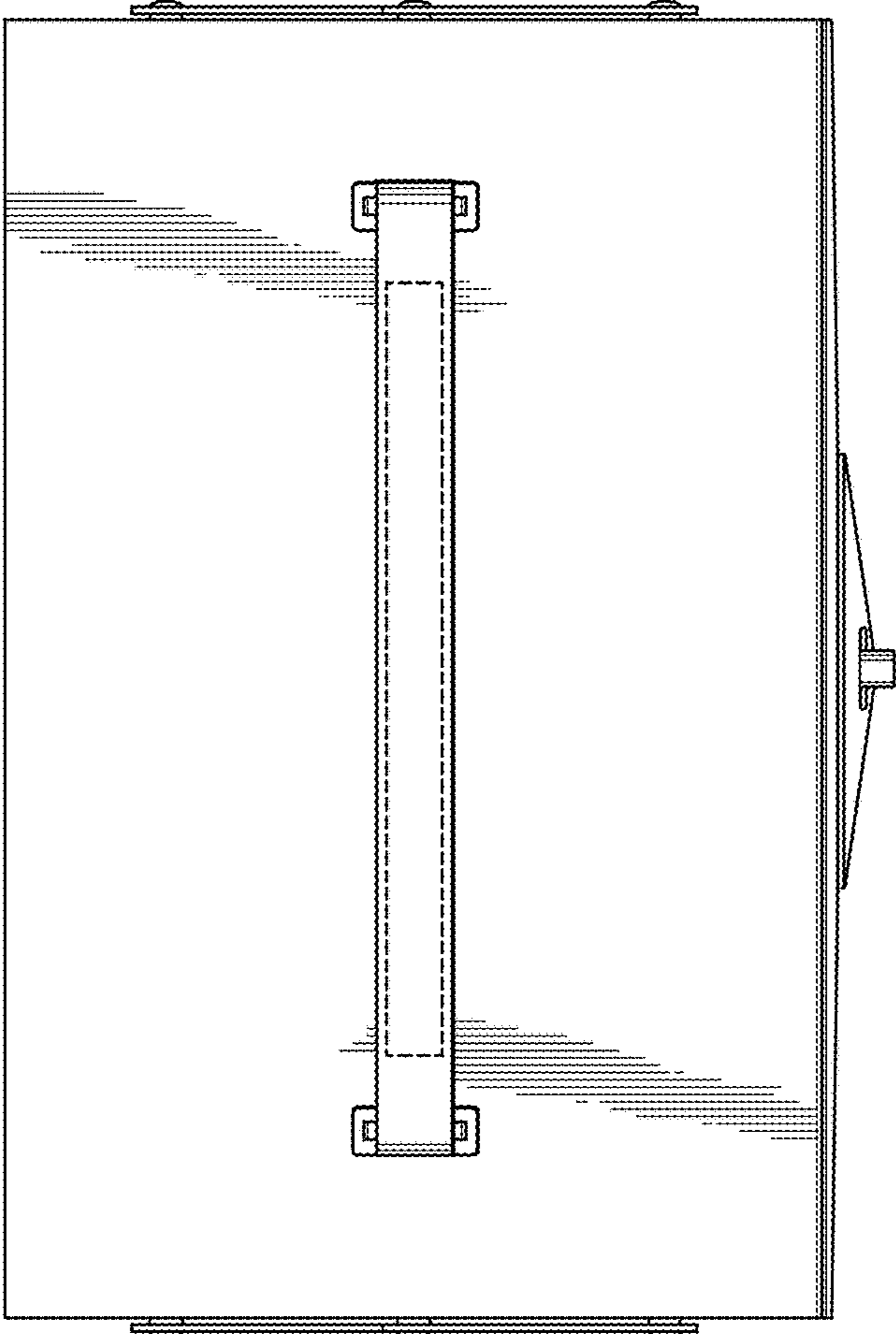


FIG. 4

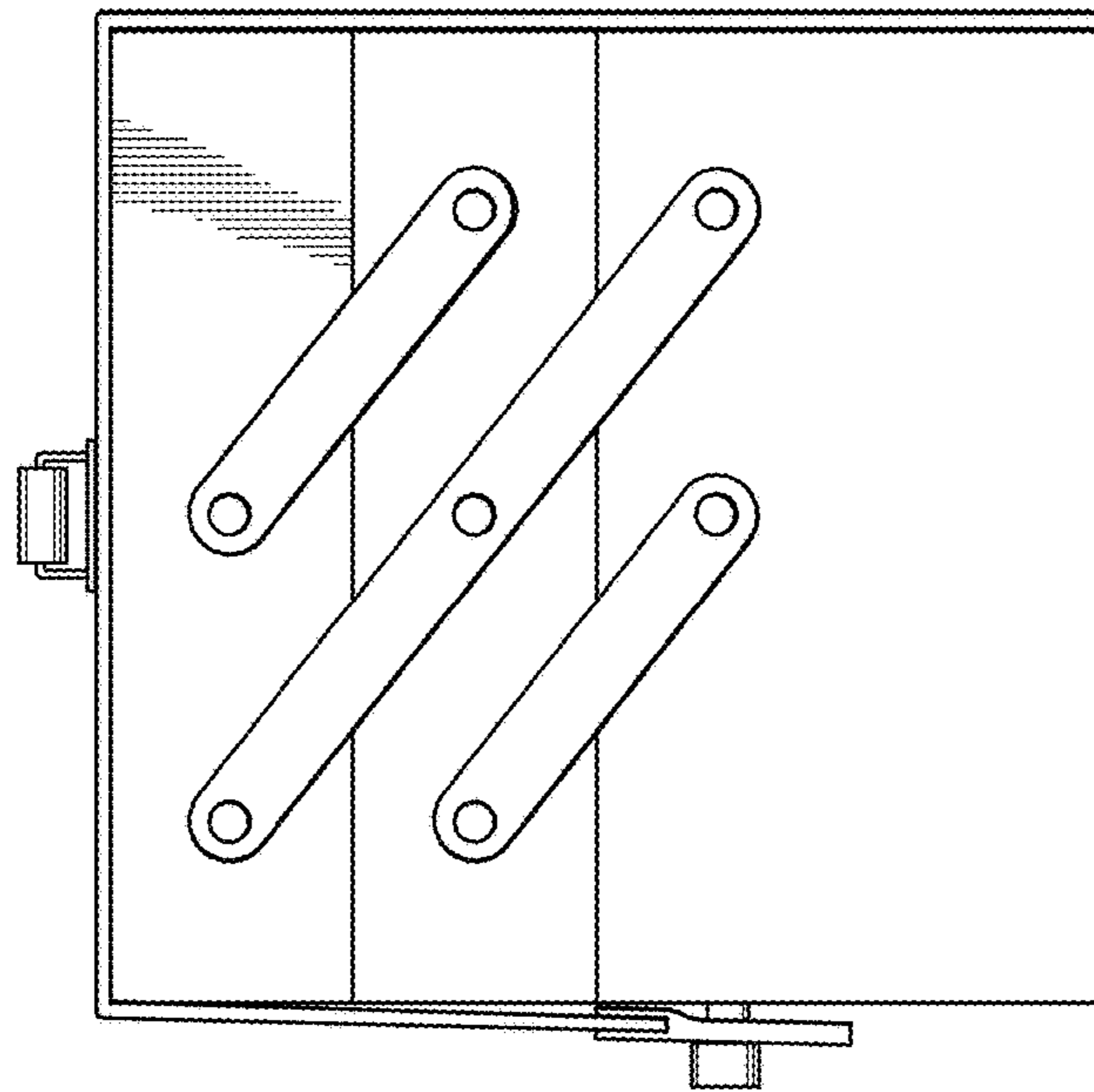


FIG. 5

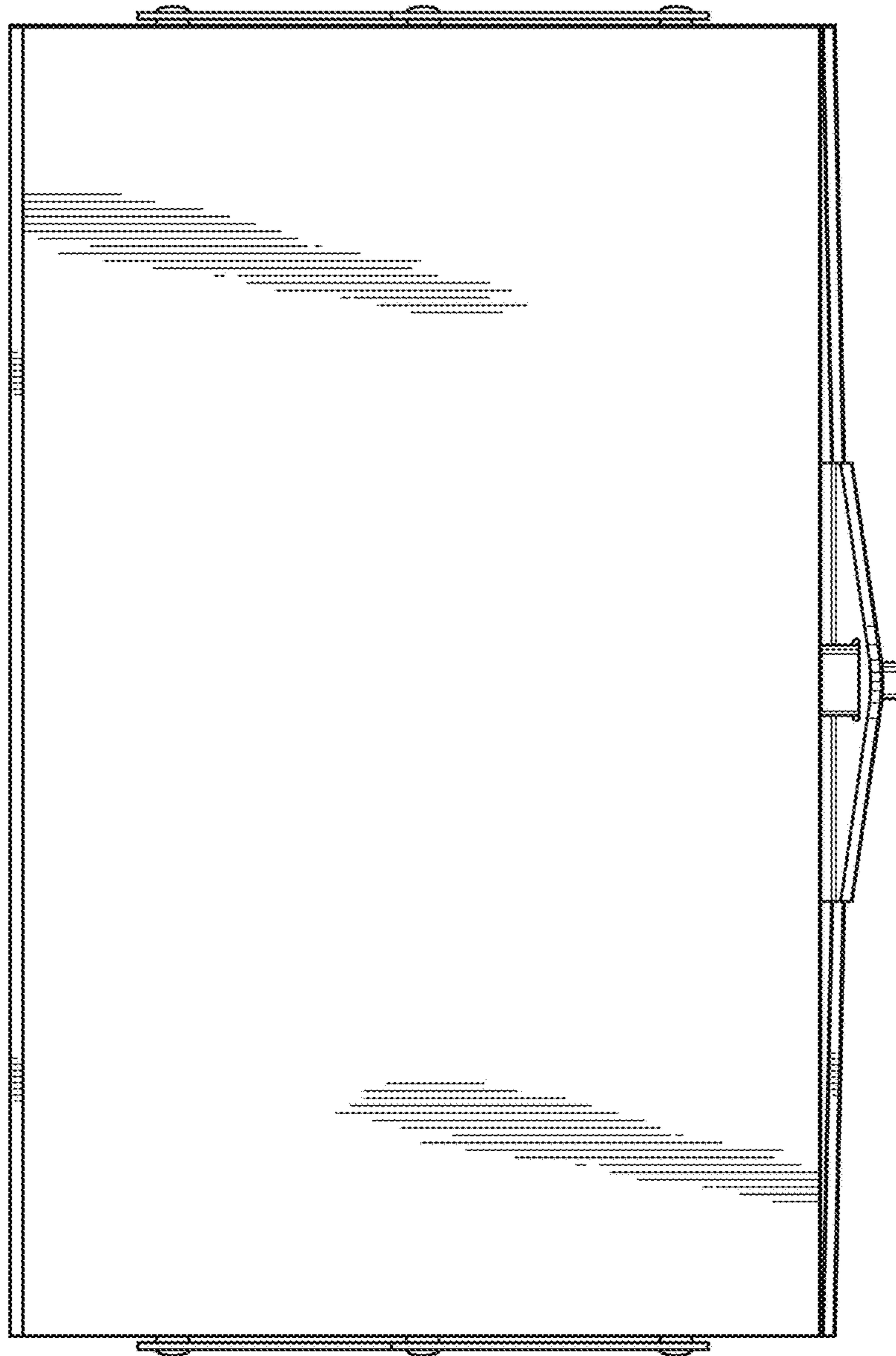


FIG. 6

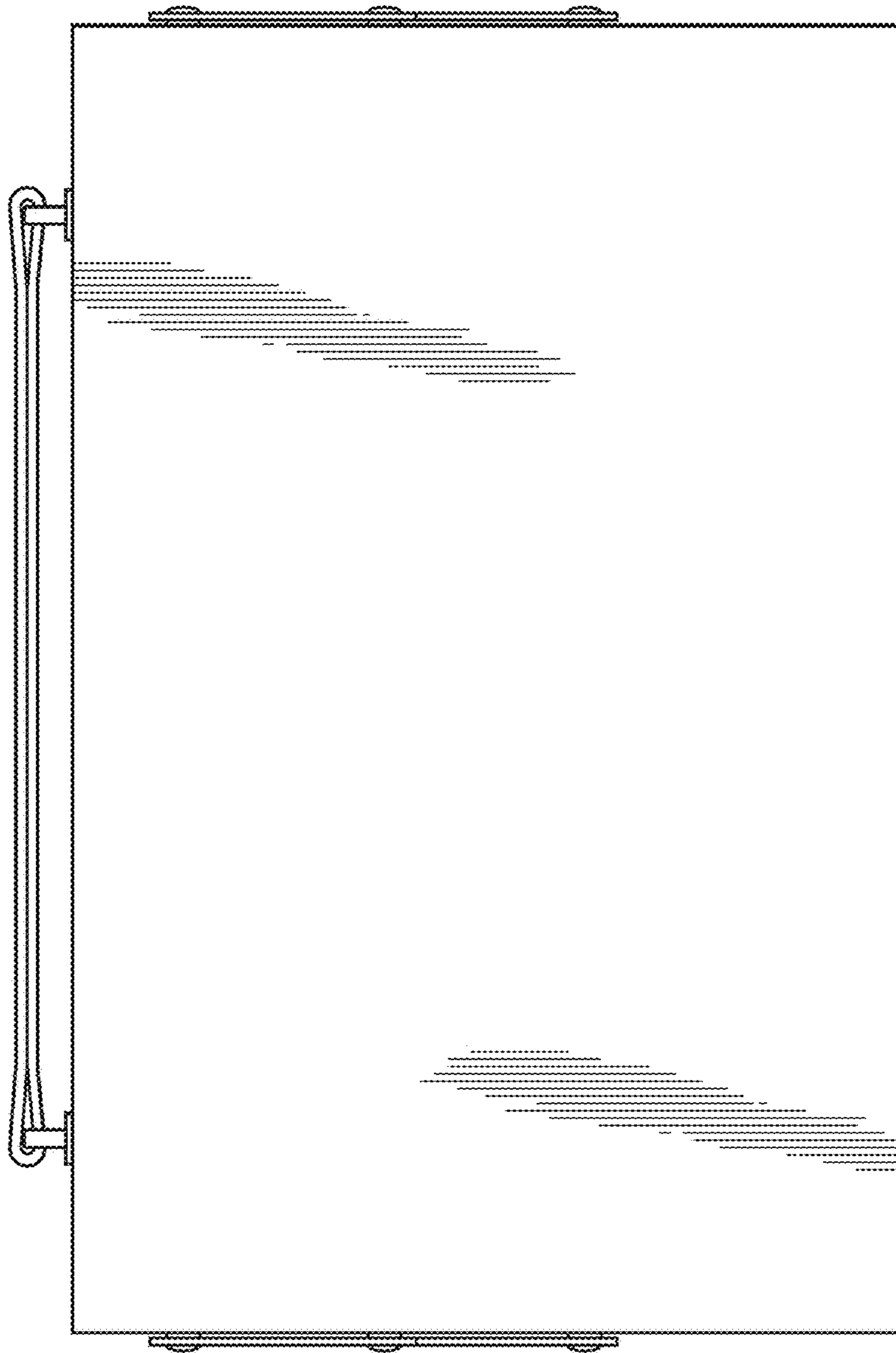


FIG. 7

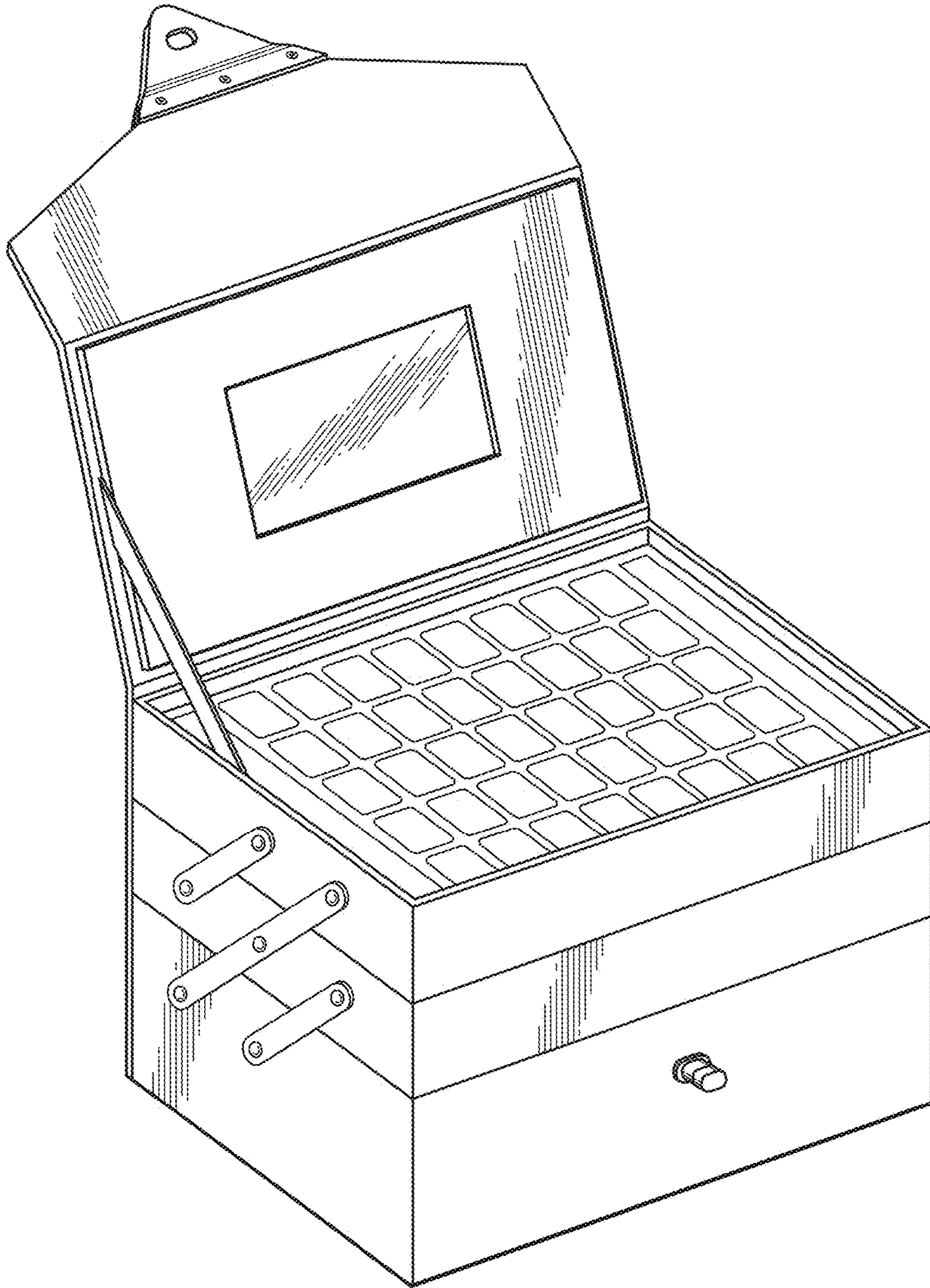


FIG. 8

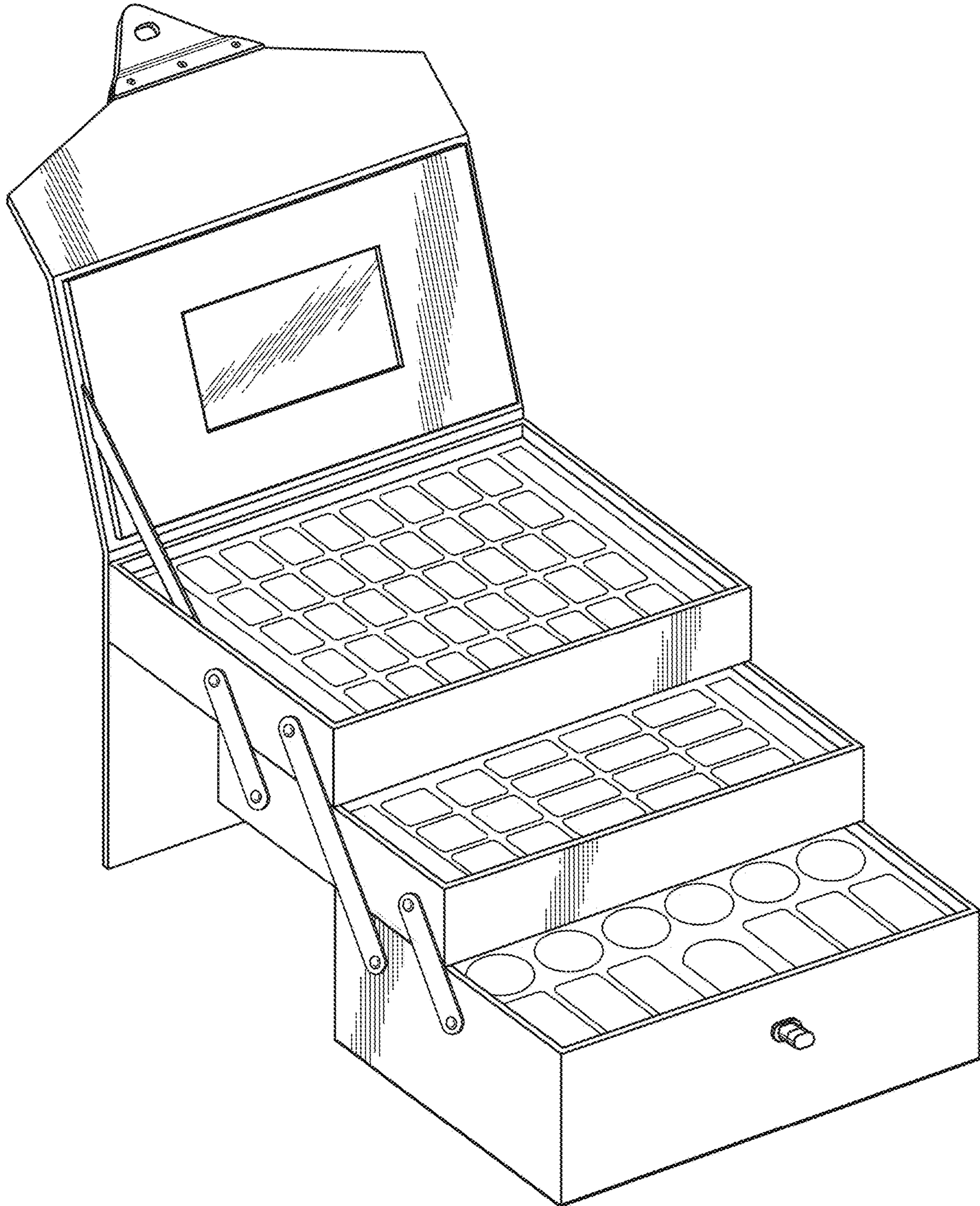


FIG. 9