

US00D873002S

(12) **United States Design Patent**  
**Hajiri**

(10) **Patent No.:** **US D873,002 S**  
(45) **Date of Patent:** **\*\* Jan. 21, 2020**

(54) **ROUND SUITCASE**

(71) Applicant: **Kamal Hajiri**, The Hague (NL)

(72) Inventor: **Kamal Hajiri**, The Hague (NL)

(\*\*) Term: **15 Years**

(21) Appl. No.: **29/605,304**

(22) Filed: **May 25, 2017**

(30) **Foreign Application Priority Data**

Nov. 30, 2016 (EM) ..... 003491778

(51) **LOC (12) Cl.** ..... **03-01**

(52) **U.S. Cl.**  
USPC ..... **D3/275; D3/284; D3/901**

(58) **Field of Classification Search**  
USPC ..... D3/205, 245, 273, 274, 285, 287, 291,  
D3/294, 296, 901, 900, 903, 284  
CPC ..... A45C 1/02; A45C 2003/008; A45C 3/02;  
A45C 5/005; A45C 2011/007; A45D  
29/20  
See application file for complete search history.

(56) **References Cited**

**U.S. PATENT DOCUMENTS**

2,209,781	A *	7/1940	Lewis	.....	A45C 13/02
					190/109
2,745,524	A *	5/1956	Plotkin	.....	A45C 11/02
					190/115
2,937,728	A *	5/1960	Koffler	.....	A45C 3/12
					190/110
D416,135	S *	11/1999	Chen	.....	D3/276
D420,508	S *	2/2000	Kohlhase	.....	D3/232
D455,550	S *	4/2002	Wolf	.....	D3/275
D471,010	S *	3/2003	Wolf	.....	D3/294
D480,211	S *	10/2003	Wolf	.....	D3/276

(Continued)

**OTHER PUBLICATIONS**

PBTeen, "The Emily & Meritt Round Nailpolish Case, Black/White Heart", Accessed Feb. 20, 2019. (<https://www.pbteen.com/products/the-emily-and-meritt-round-nail-polish-case/>) (Year: 2019).\*

(Continued)

*Primary Examiner* — April Rivas

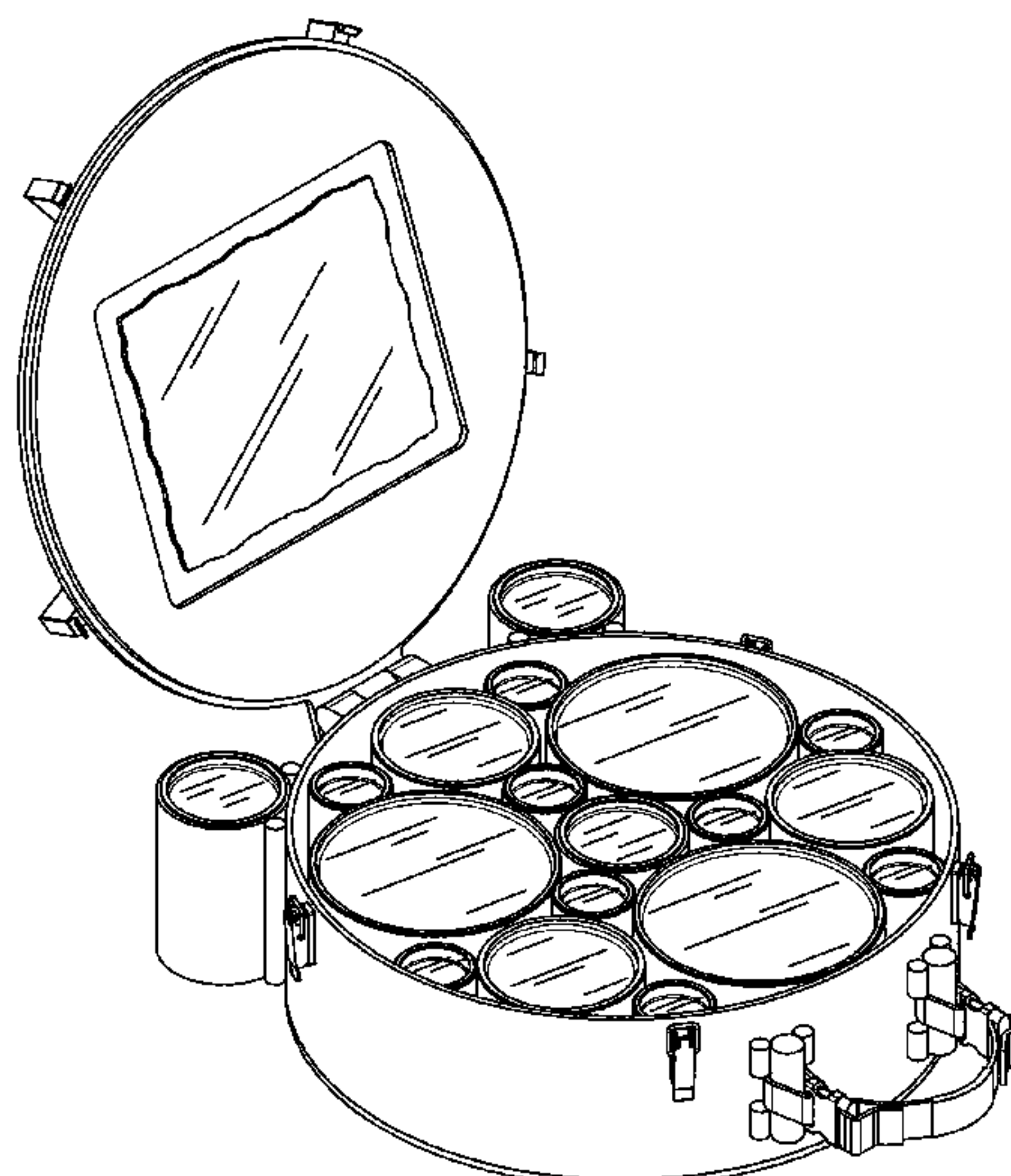
(57) **CLAIM**

The ornamental design for a round suitcase, as shown and described.

**DESCRIPTION**

FIG. 1 is a front perspective view of the round suitcase, in an open configuration, showing my new design;  
 FIG. 2 is a front perspective view of the round suitcase, in an open configuration with the interior compartments removed;  
 FIG. 3 is a top plan view of the round suitcase, in a closed configuration;  
 FIG. 4 is a front elevation view of the round suitcase, in a closed configuration;  
 FIG. 5 is a front elevation view of the round suitcase, in an open configuration;  
 FIG. 6 is a right side elevation view of the round suitcase, in a closed configuration;  
 FIG. 7 is a front perspective view of the round suitcase, in a closed configuration;  
 FIG. 8 is a cross-sectional view of FIG. 3, taken along lines 8-8, with the interior compartments;  
 FIG. 9 is a sectional view of Part A of FIG. 8;  
 FIG. 10 is a cross-sectional view of FIG. 4, taken along lines 10-10, with the interior compartments; and,  
 FIG. 11 is a cross-sectional view of FIG. 3, taken along lines 8-8, with the interior compartments removed.  
 The interior compartments are shown removed in FIGS. 2 and 11 for convenience of illustration only.  
 The oblique line shaded surface on the interior of the lid is intended to represent a reflective surface.

**1 Claim, 11 Drawing Sheets**



(56)

**References Cited**

U.S. PATENT DOCUMENTS

D527,521 S *	9/2006	Sijmons	.....	D3/276
D601,836 S *	10/2009	Carr	.....	D6/525
D644,437 S *	9/2011	Lintula	.....	D3/294
D679,907 S *	4/2013	Kwon	.....	D3/279
8,789,541 B1 *	7/2014	Evans	.....	A45C 5/005
				132/294
D735,993 S *	8/2015	Koepke	.....	D3/284
D752,290 S *	3/2016	Beilman	.....	D28/73
D833,746 S *	11/2018	Steele	.....	D3/295
D839,587 S *	2/2019	Beilman	.....	D3/205

OTHER PUBLICATIONS

Amazon, "Sparkle & Shine 70 Piece Makeup Kit in Hatbox Style Case", First review Apr. 4, 2015. (<https://www.amazon.com/Sparkle-Shine-Piece-Makeup-Hatbox/dp/B00R8KKLMC>) (Year: 2015).\*

\* cited by examiner

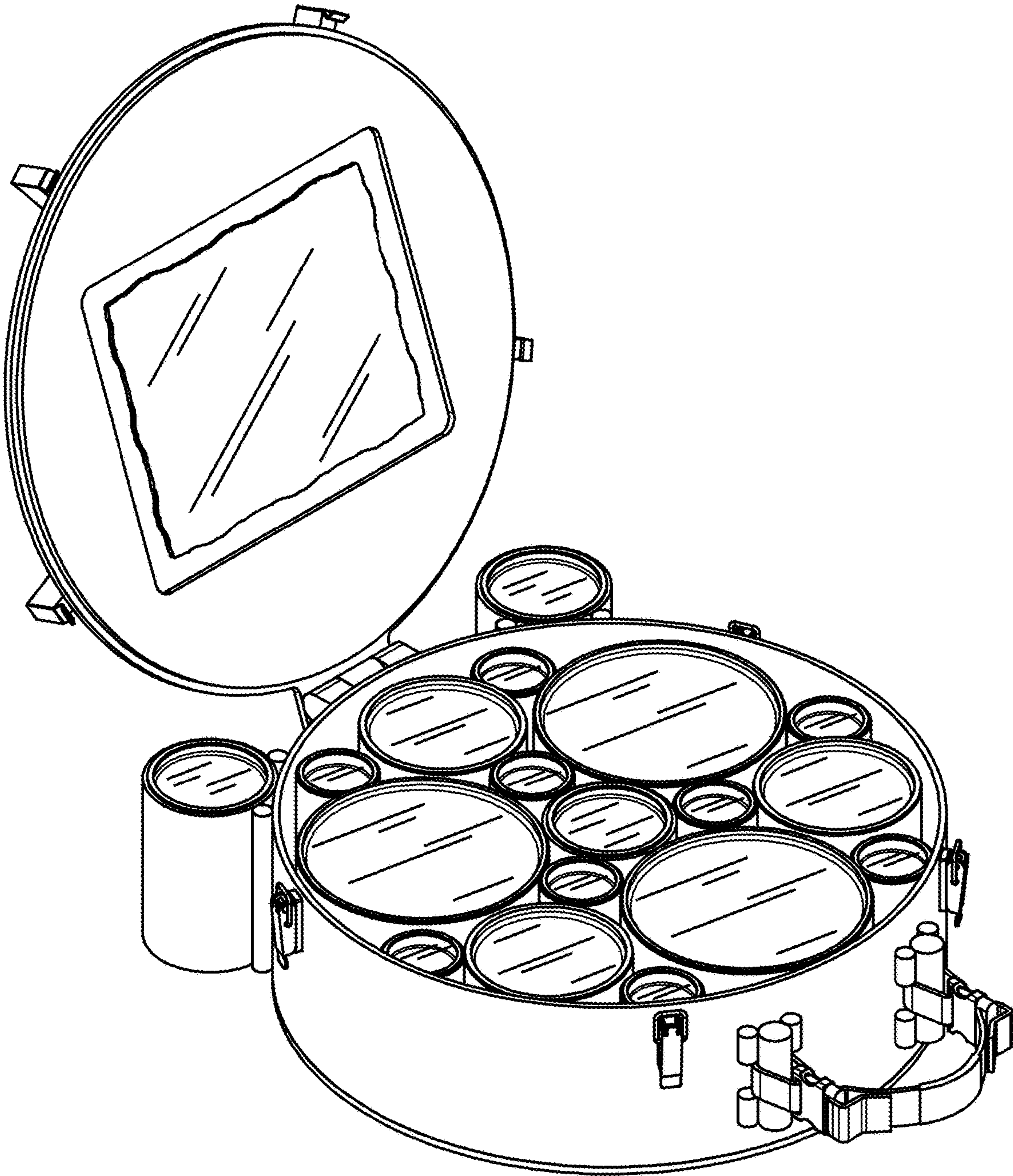


FIG. 1



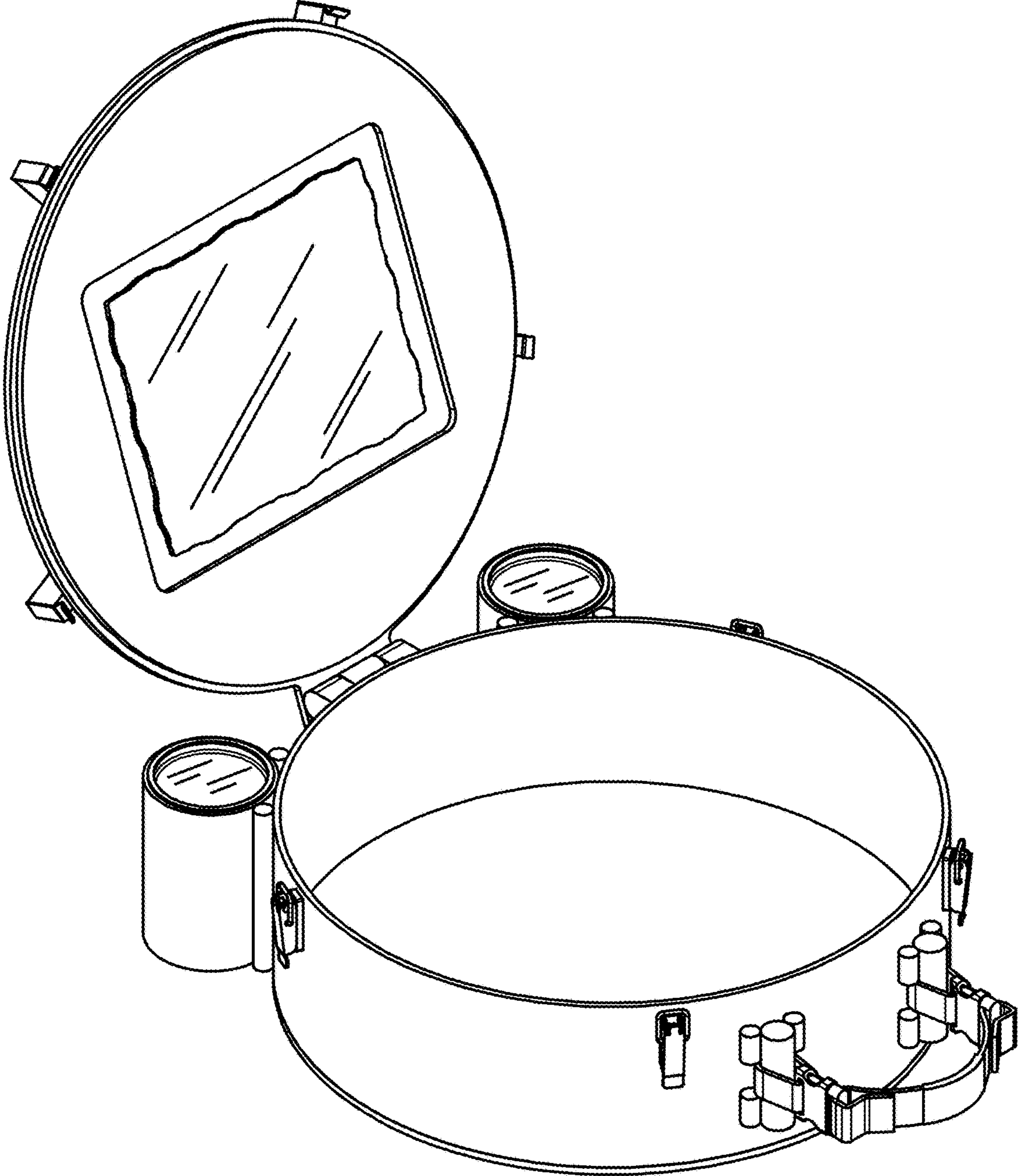


FIG. 2

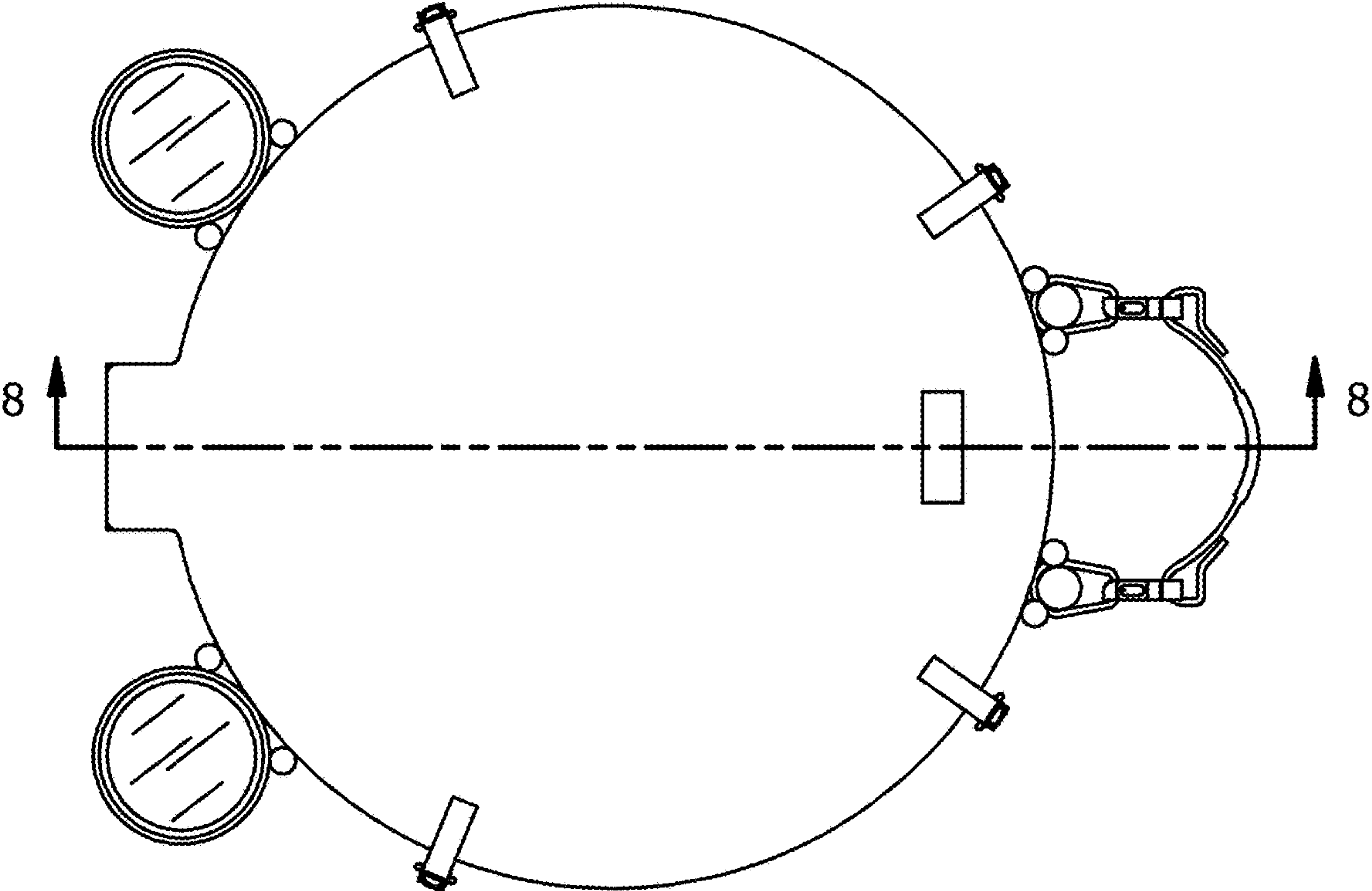


FIG. 3

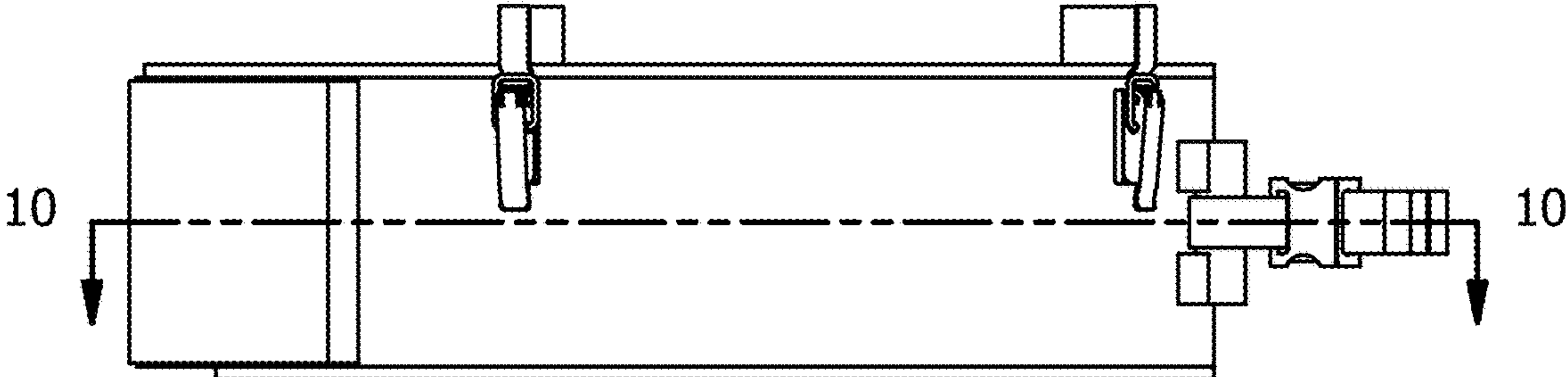


FIG. 4

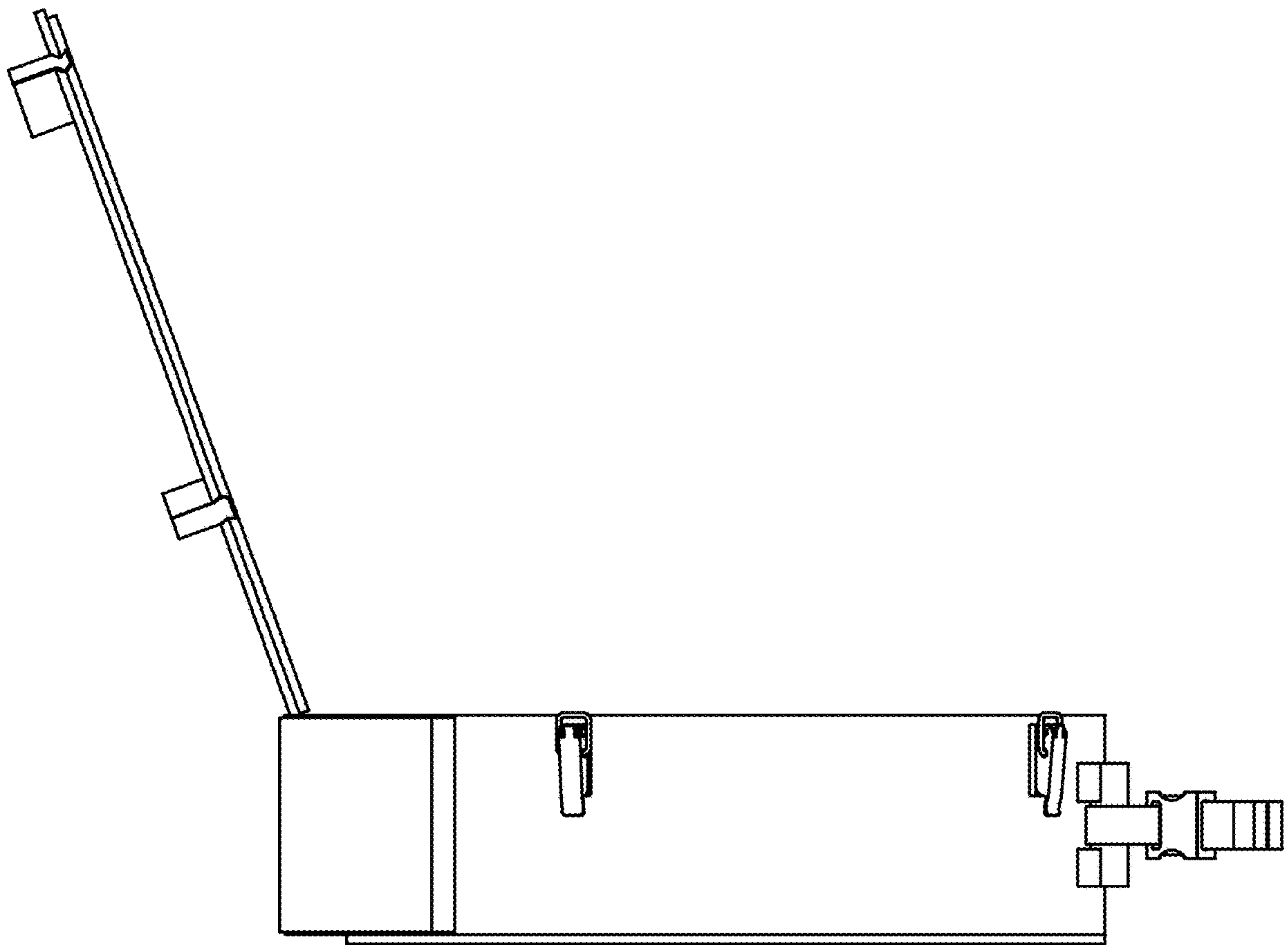


FIG. 5

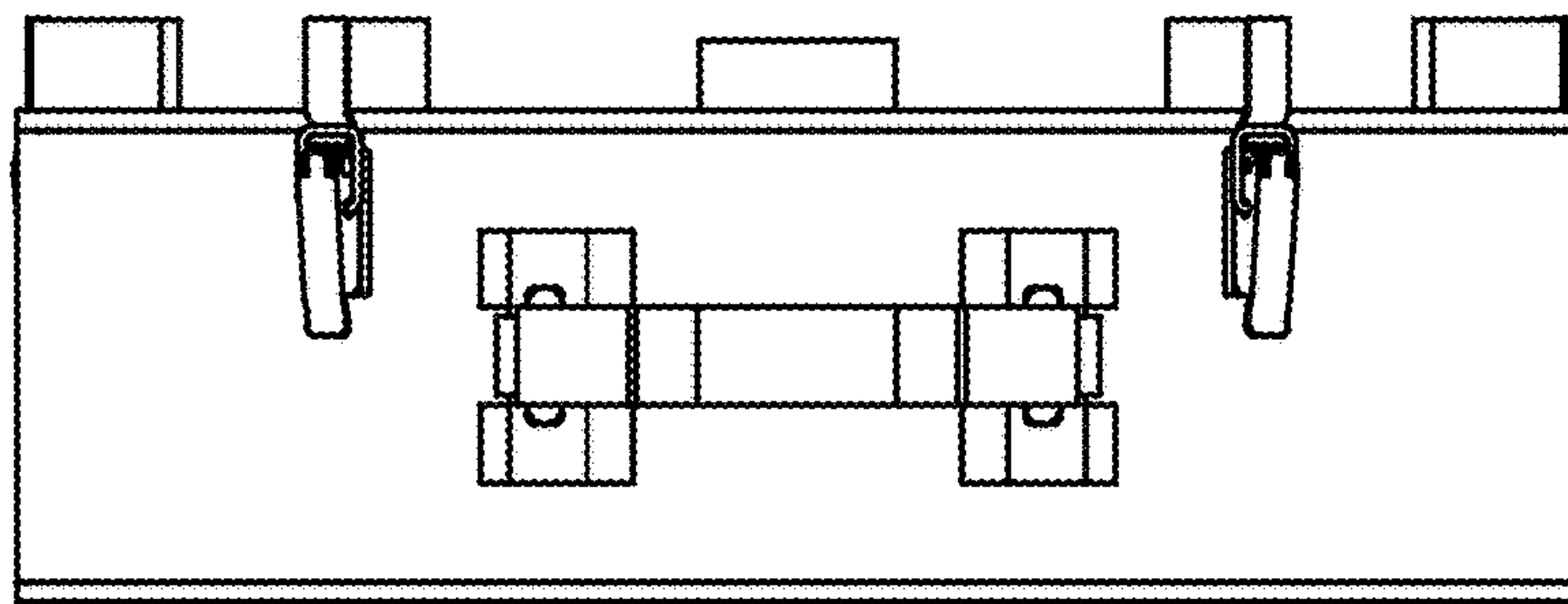


FIG. 6



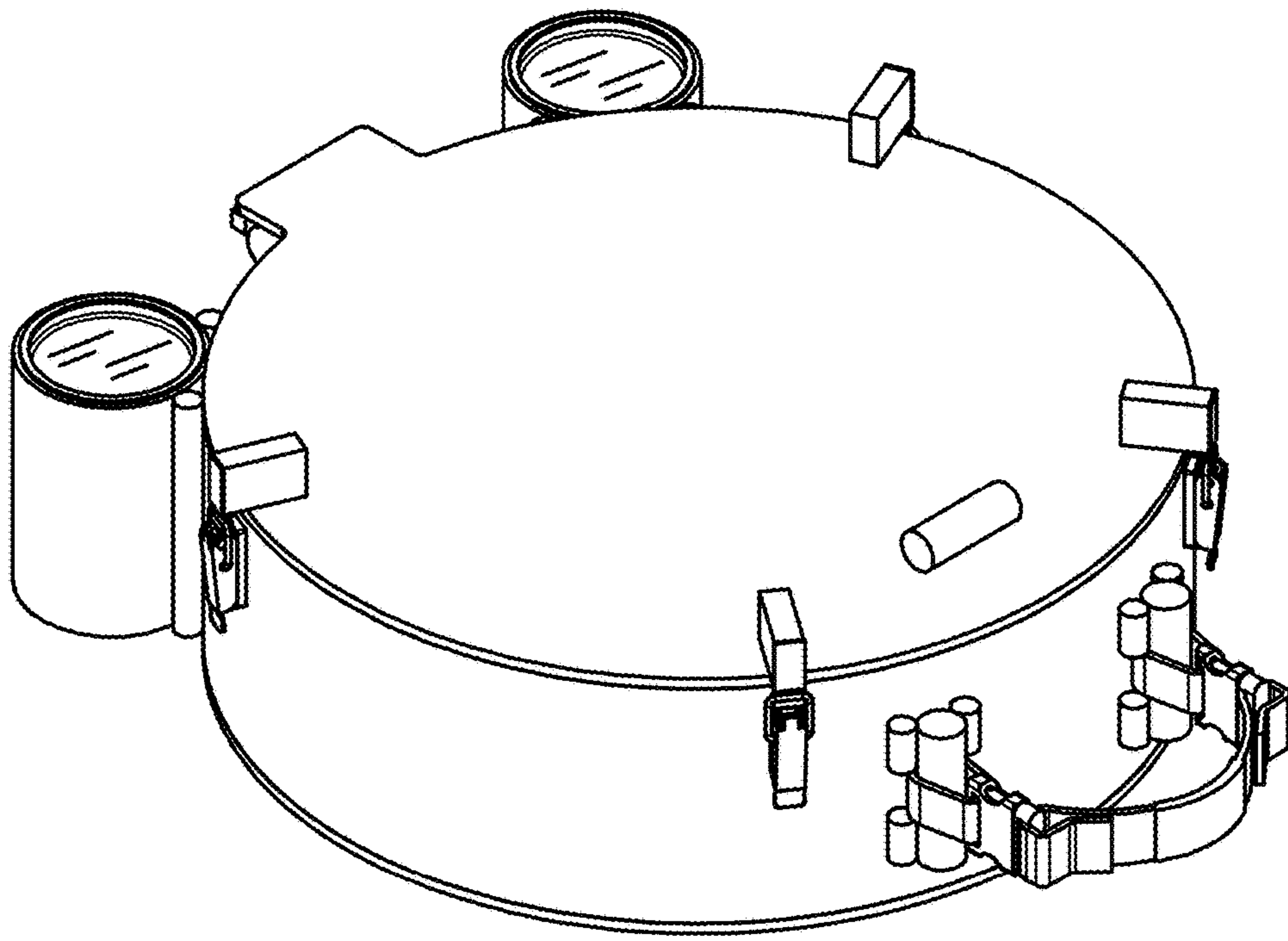


FIG. 7

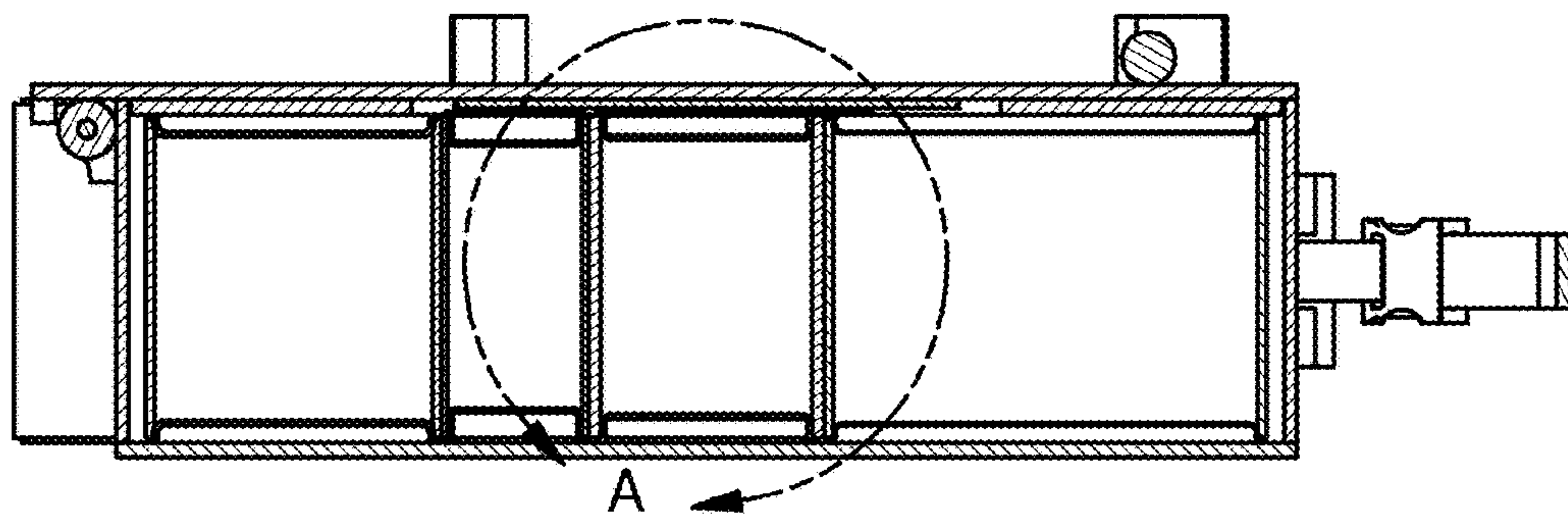


FIG. 8

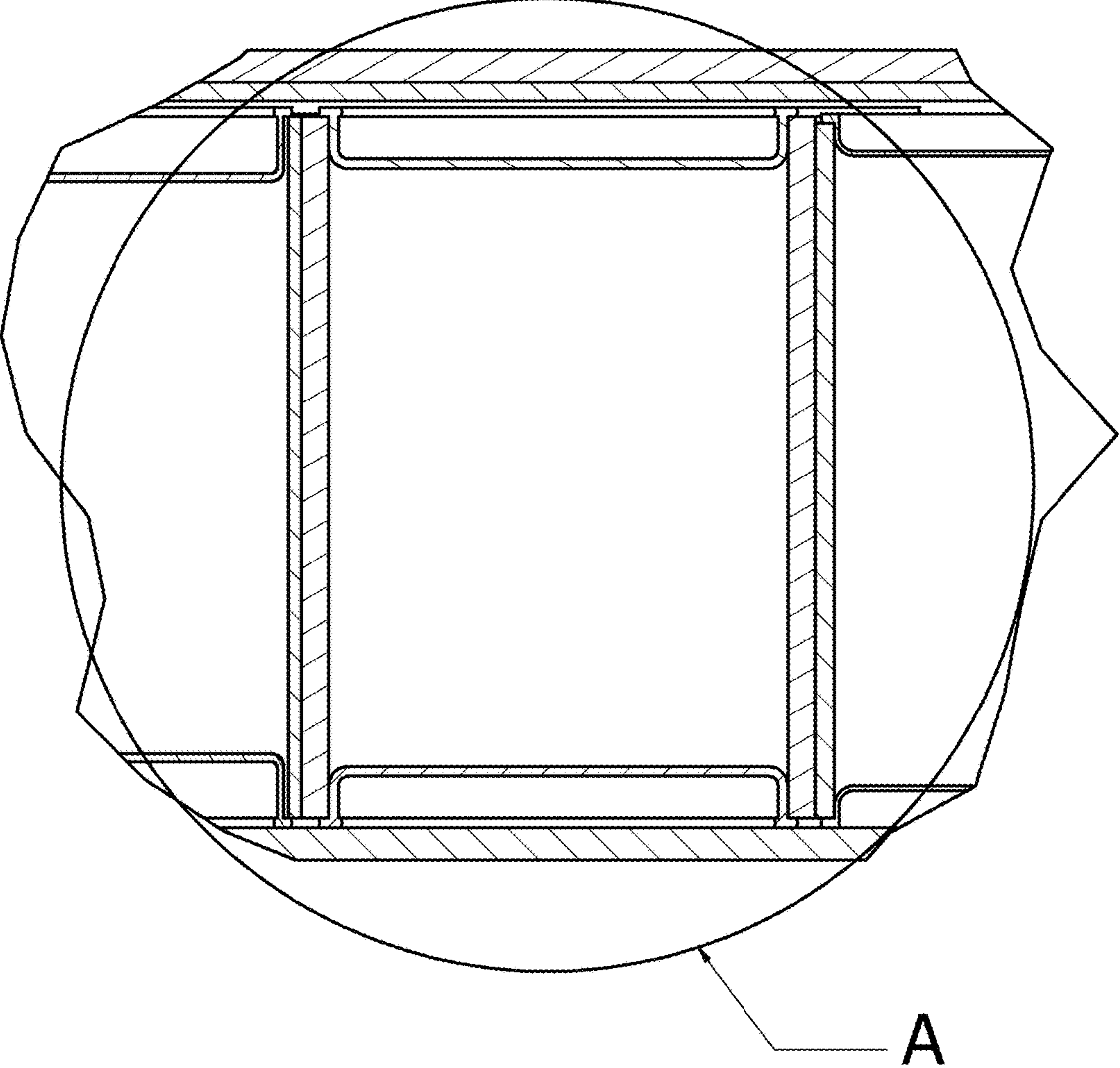


FIG. 9

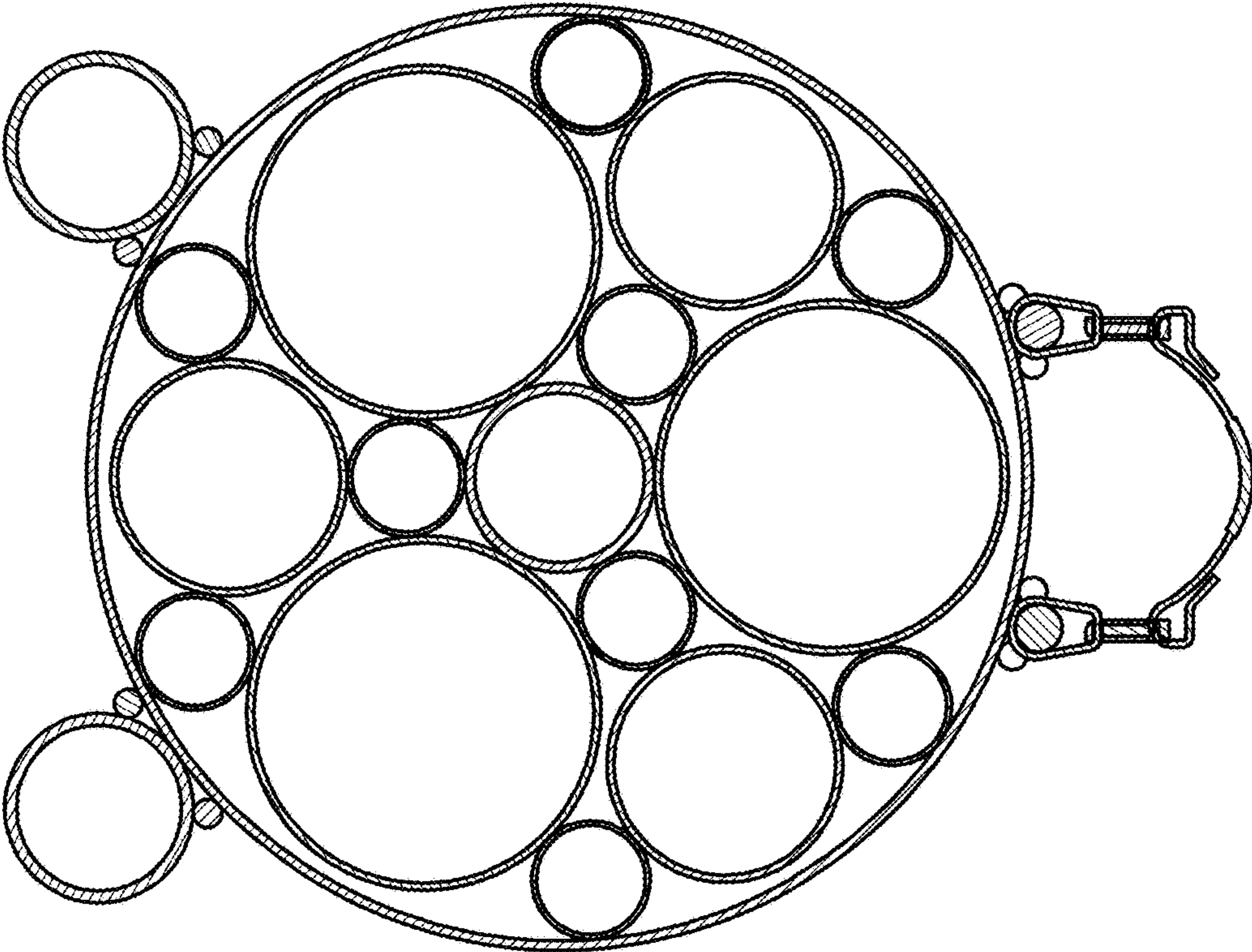


FIG. 10

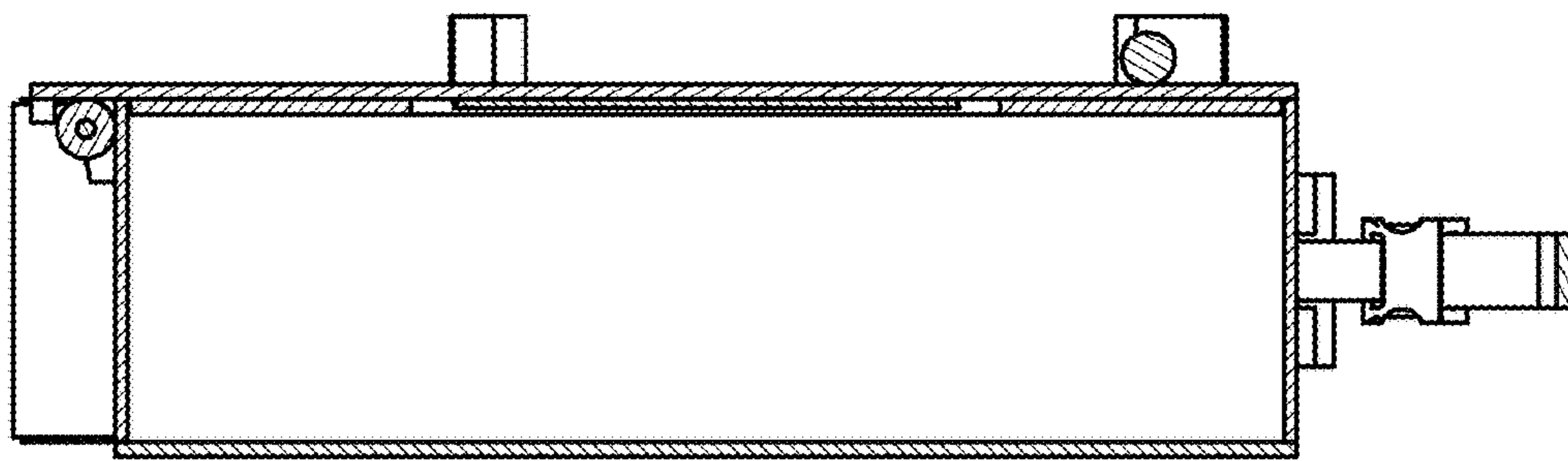


FIG. 11