



US00D873001S

(12) **United States Design Patent**  
**Alvarez**

(10) **Patent No.:** **US D873,001 S**  
(45) **Date of Patent:** **\*\* Jan. 21, 2020**

(54) **LUGGAGE WITH BEVERAGE HOLDER**

(71) Applicant: **Melanie Alvarez**, Summit, NJ (US)

(72) Inventor: **Melanie Alvarez**, Summit, NJ (US)

(\*\*) Term: **15 Years**

(21) Appl. No.: **29/661,429**

(22) Filed: **Aug. 28, 2018**

(51) **LOC (12) Cl.** ..... **03-01**

(52) **U.S. Cl.**  
USPC ..... **D3/274; D3/279**

(58) **Field of Classification Search**  
USPC ..... D3/273, 274, 276, 279, 281, 289, 321,  
D3/900, 902  
CPC ..... A45C 5/00; A45C 2003/008; A45C 3/02;  
A45C 5/03; A45C 2005/032; A45C  
2005/035; A45C 2005/037; A45C 5/06;  
A45C 5/14; A45C 2005/142; A45C  
2200/20; A45C 3/12

See application file for complete search history.

(56) **References Cited**

**U.S. PATENT DOCUMENTS**

6,793,051	B2	9/2004	Siwak	
8,256,156	B1 *	9/2012	Burgoyne, Jr.	A45C 5/14 206/315.11
8,307,966	B2	11/2012	Cummins	
8,485,327	B1 *	7/2013	Dalrymple	A45C 9/00 190/11
D711,648	S *	8/2014	Chen	D3/279
D712,142	S *	9/2014	Bayley	D3/279
D714,056	S *	9/2014	Weng	D3/279
D776,925	S *	1/2017	Bongiorno	D3/274
9,578,939	B2 *	2/2017	Nebeling	A45C 5/14

9,732,550	B2 *	8/2017	Lubotta	F25D 3/08
9,743,728	B1 *	8/2017	McConnell	A45C 5/14
D805,771	S *	12/2017	Newson	D3/279
2006/0037825	A1	2/2006	Dayton	
2006/0219745	A1 *	10/2006	Riley	A45C 13/28 224/400
2010/0161163	A1	6/2010	Chang	
2012/0247897	A1 *	10/2012	Sheikh	A45C 7/0027 190/115
2013/0032443	A1	2/2013	Soedomo	
2016/0037905	A1 *	2/2016	Glover	A45C 5/03 108/42
2016/0073752	A1	3/2016	Daly	

**OTHER PUBLICATIONS**

Touch of Modern, "Beveragepal", Accessed Jul. 10, 2019. (<https://www.touchofmodern.com/sales/visionair-luggage-ffc23375-191c-4f83-8d19-13d467fa1379/beveragepal>) (Year: 2019).\*

\* cited by examiner

*Primary Examiner* — April Rivas

(57) **CLAIM**

I claim the ornamental design for luggage with beverage holder, as shown and described.

**DESCRIPTION**

FIG. 1 is a front view of the luggage with beverage holder. FIG. 2 is a rear view of the claimed design. FIG. 3 is a right side view of the claimed design. FIG. 4 is a left side view of the claimed design. FIG. 5 is a top view of the claimed design. FIG. 6 is a bottom view of the claimed design; and, FIG. 7 is a perspective view of the claimed design.

**1 Claim, 5 Drawing Sheets**



FIG. 1

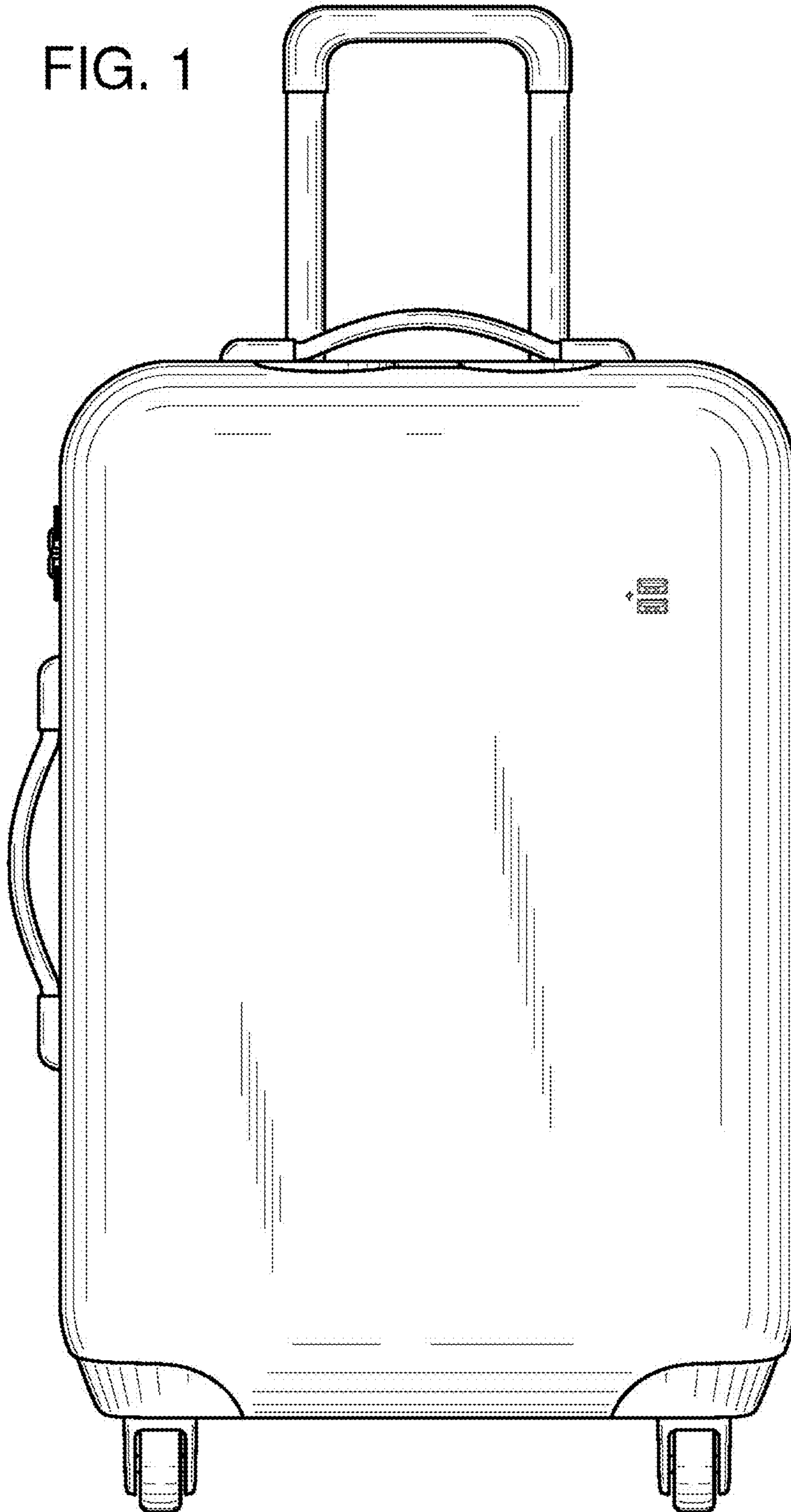


FIG. 2

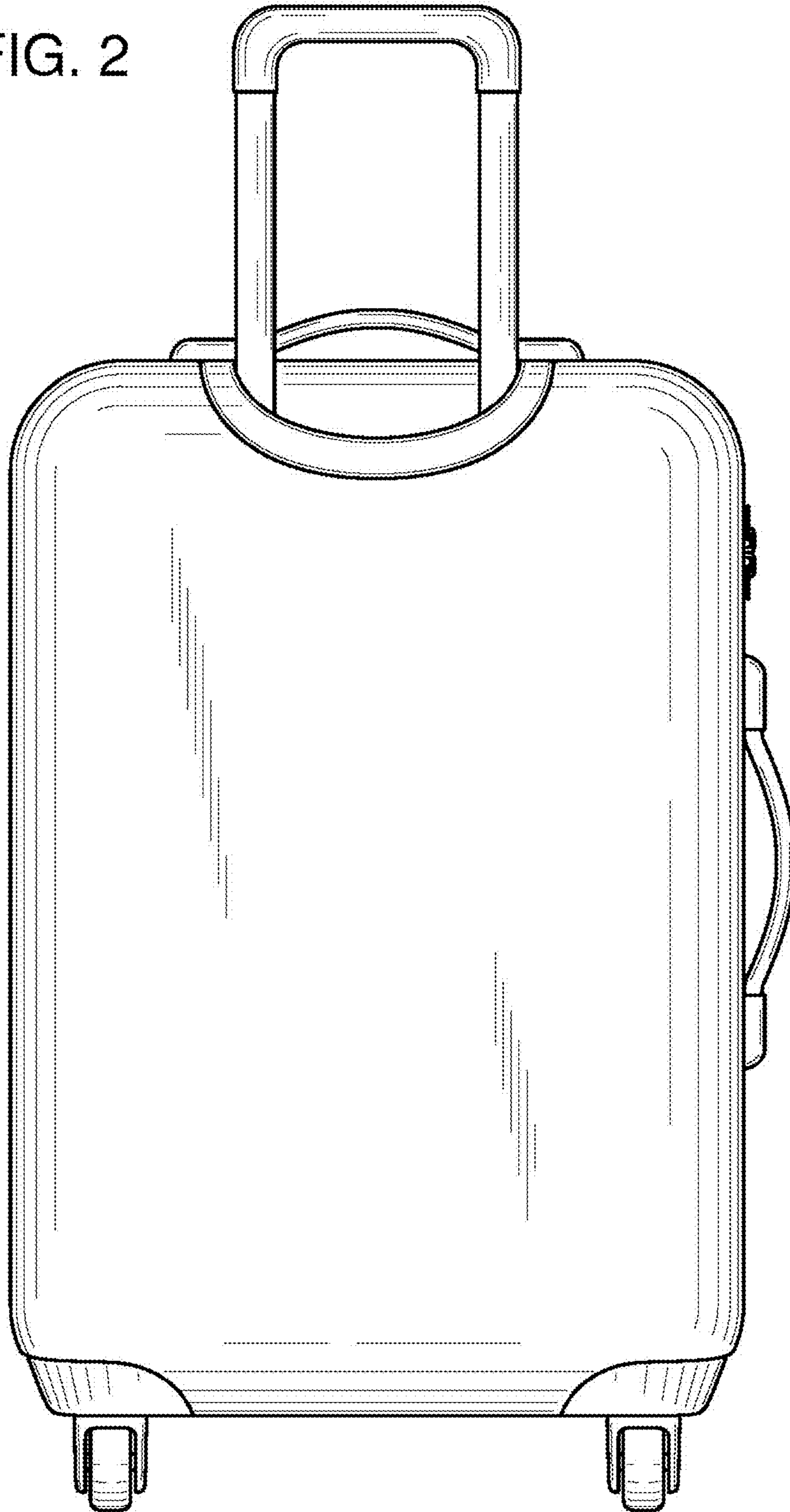


FIG. 3

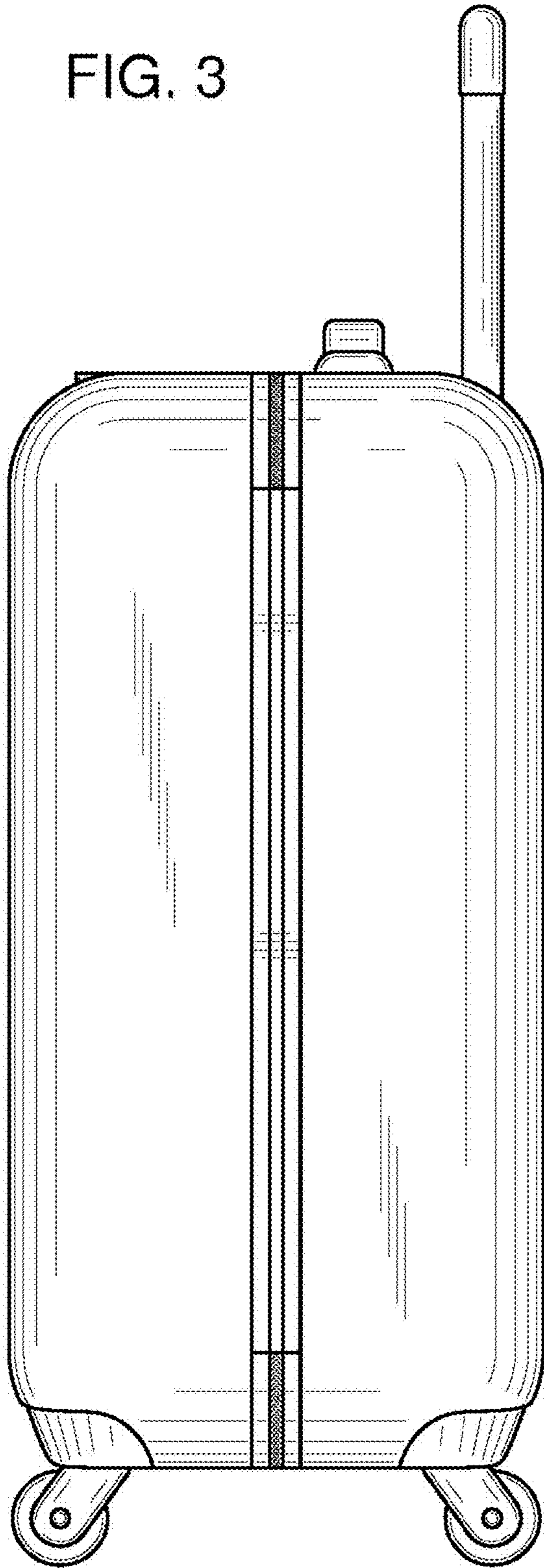


FIG. 4

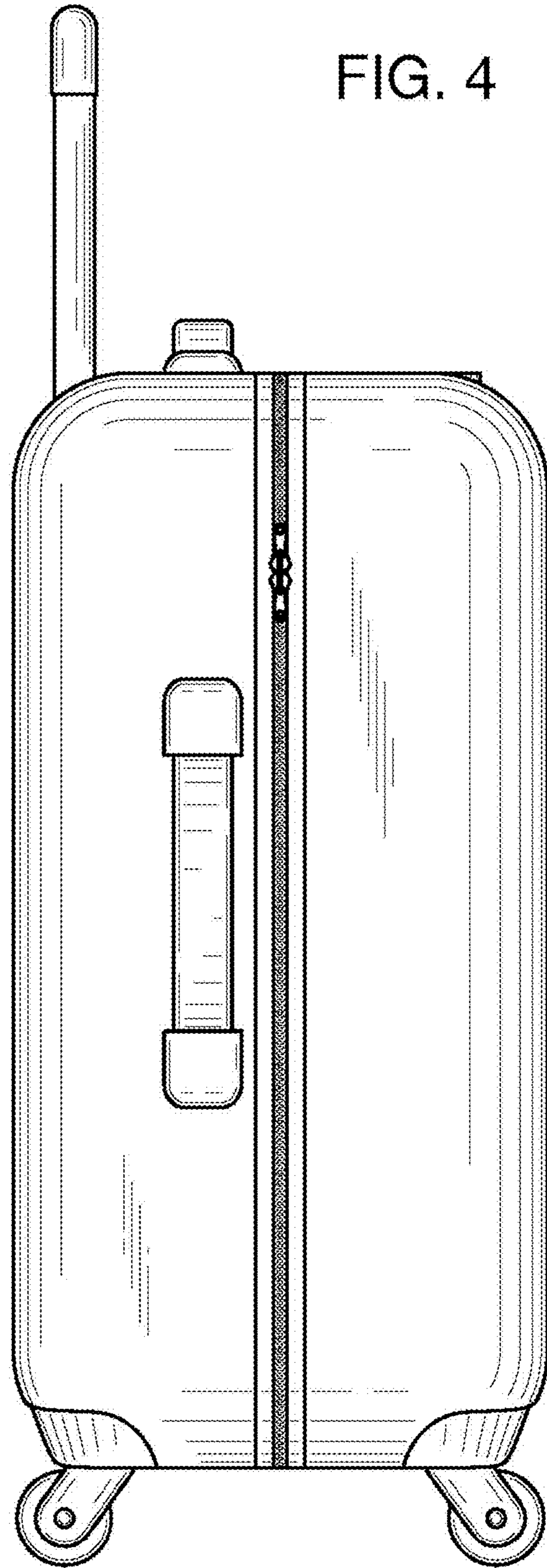


FIG. 5

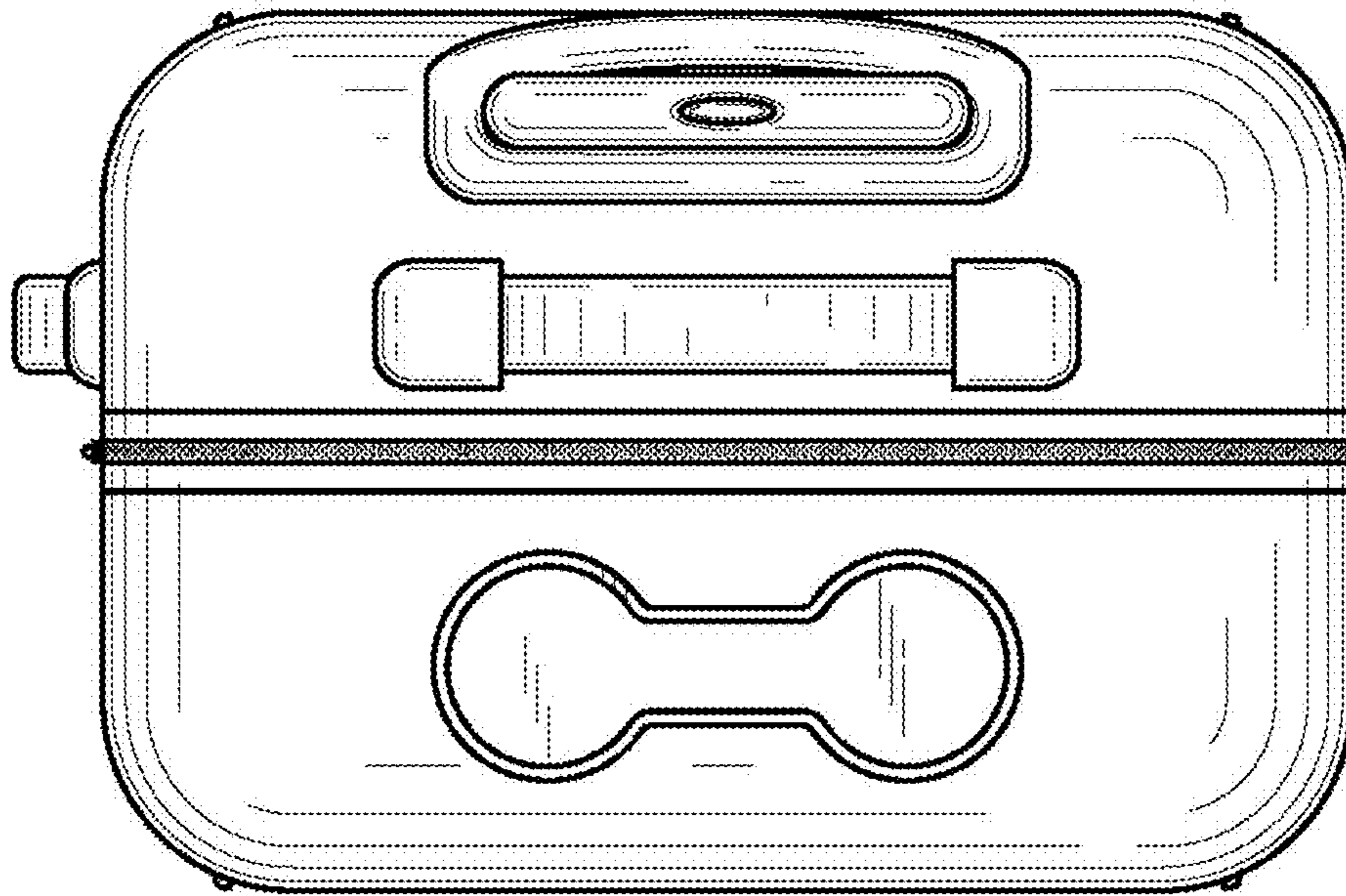


FIG. 6

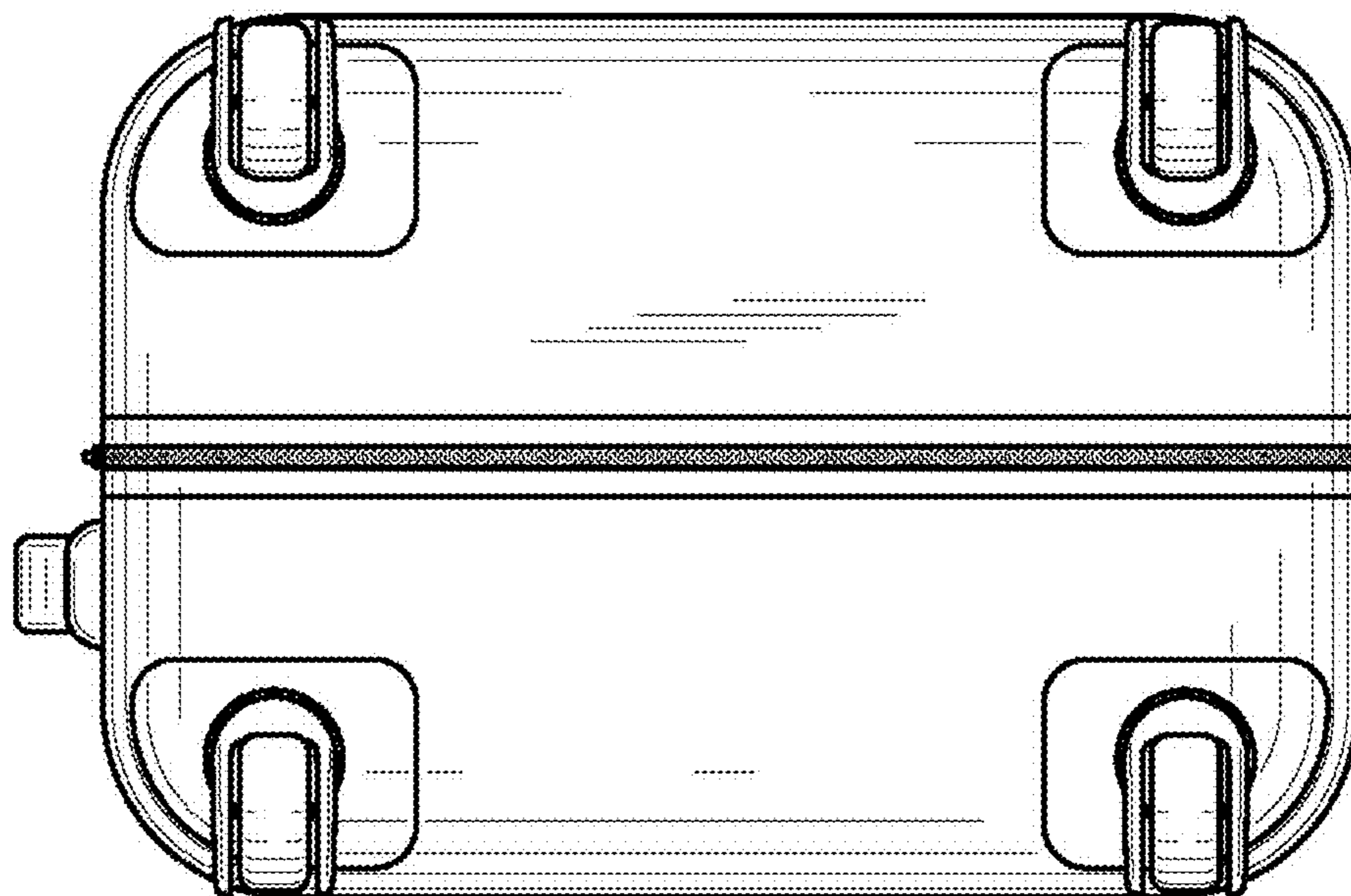


FIG. 7

