

US00D873000S

(12) **United States Design Patent**
Terlikowski

(10) **Patent No.:** **US D873,000 S**
(45) **Date of Patent:** **** Jan. 21, 2020**

(54) **ELECTRIC SELF PROPELLED MOTORIZED SUITCASE**

(71) Applicant: **Pawel Terlikowski**, Las Vegas, NV (US)

(72) Inventor: **Pawel Terlikowski**, Las Vegas, NV (US)

(**) Term: **15 Years**

(21) Appl. No.: **29/638,162**

(22) Filed: **Feb. 24, 2018**

(51) **LOC (12) Cl.** **03-01**

(52) **U.S. Cl.**
USPC **D3/274; D3/279**

(58) **Field of Classification Search**
USPC **D3/273, 274, 276, 279, 902, 321**
(Continued)

(56) **References Cited**

U.S. PATENT DOCUMENTS

D462,169 S * 9/2002 Giovanni D3/279
6,460,866 B1 * 10/2002 Altschul B62B 1/10
150/159

(Continued)

OTHER PUBLICATIONS

Steemit, "Scoocase—An electric scooter suitcase", Uploaded Feb. 21, 2019. (<https://steemit.com/steemhunt/@rehan12/scoocase-an-electric-scooter-suitcase>) (Year: 2019).*

(Continued)

Primary Examiner — April Rivas

(74) *Attorney, Agent, or Firm* — Gokalp Bayramoglu

(57) **CLAIM**

The ornamental design for an electric self propelled motorized suitcase, as shown and described.

DESCRIPTION

FIG. 1 is a front view of an electric self propelled motorized suitcase showing the new design in which the handle and a bracket are both closed;

FIG. 2 is a back view of the electric self propelled motorized suitcase in which the handle and the bracket are both closed; FIG. 3 is a right view of the electric self propelled motorized suitcase in which the handle and the bracket are both closed; FIG. 4 is a left view of the electric self propelled motorized suitcase in which the handle and the bracket are both closed; FIG. 5 is a top view of the electric self propelled motorized suitcase in which the handle and the bracket are both closed; FIG. 6 is a bottom view of the electric self propelled motorized suitcase in which the handle and the bracket are both closed;

FIG. 7 is a front perspective view of the electric self propelled motorized suitcase in which the handle and the bracket are both closed;

FIG. 8 is a back perspective view of the electric self propelled motorized suitcase in which handle and the bracket are both closed;

FIG. 9 is a front view of an electric self propelled motorized suitcase in which the handle is closed and the bracket is open;

FIG. 10 is a back view of the electric self propelled motorized suitcase in which the handle is closed and the bracket is open;

FIG. 11 is a right view of the electric self propelled motorized suitcase in which the handle is closed and the bracket is open;

FIG. 12 is a left view of the electric self propelled motorized suitcase in which the handle is closed and the bracket is open;

FIG. 13 is a top view of the electric self propelled motorized suitcase in which the handle is closed and the bracket is open;

FIG. 14 is a bottom view of the electric self propelled motorized suitcase in which the handle is closed and the bracket is open;

FIG. 15 is a front perspective view of the electric self propelled motorized suitcase in which the handle is closed and the bracket is open;

FIG. 16 is a back perspective view of the electric self propelled motorized suitcase in which the handle is closed and the bracket is open;

(Continued)

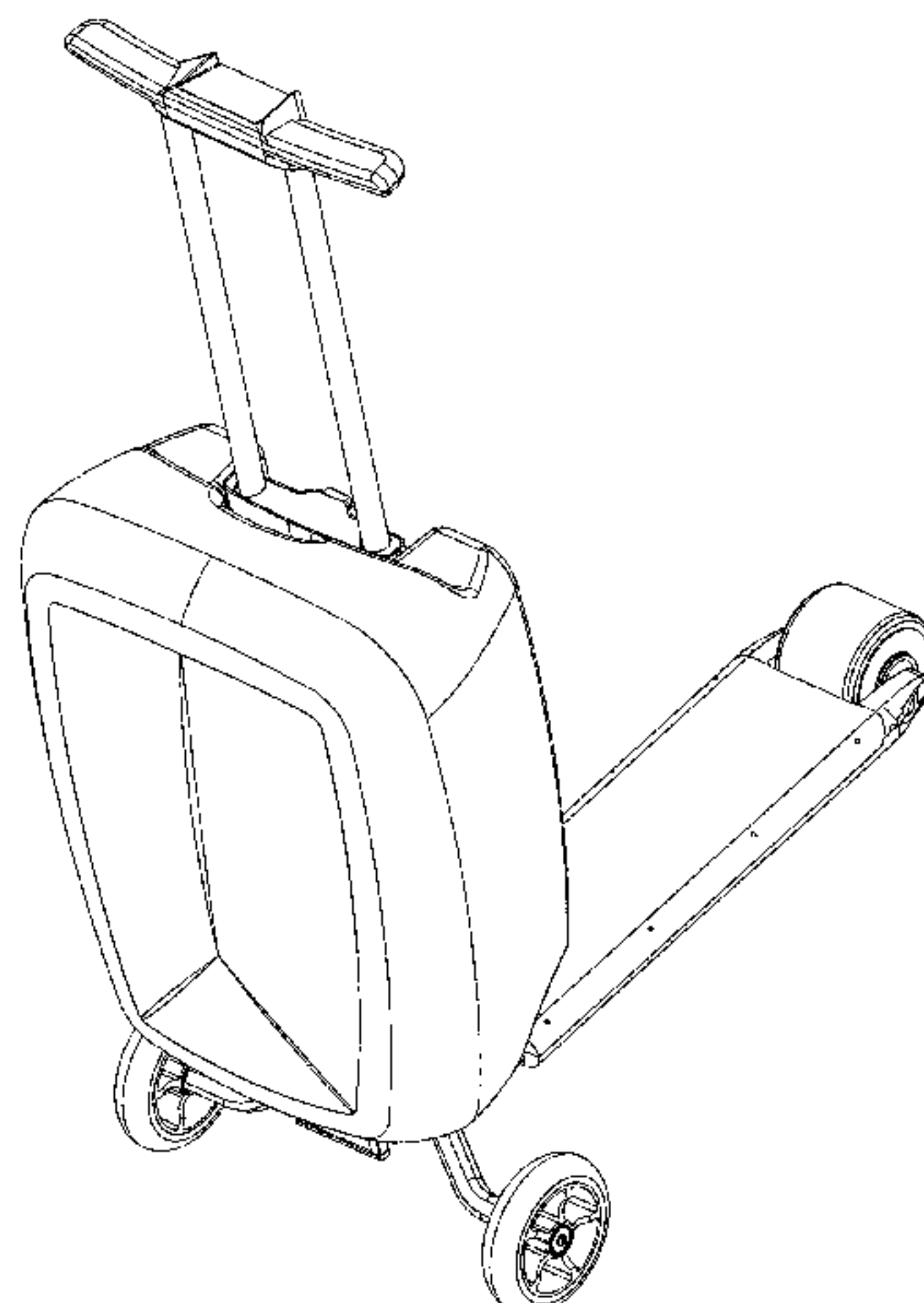


FIG. 17 is a front view of an electric self propelled motorized suitcase in which the handle is open and the bracket is open in a special folding state;
 FIG. 18 is a back view of the electric self propelled motorized suitcase in which the handle is open and the bracket is open in a special folding state;
 FIG. 19 is a right view of the electric self propelled motorized suitcase in which the handle is open and the bracket is open in a special folding state;
 FIG. 20 is a left view of the electric self propelled motorized suitcase in which the handle is open and the bracket is open in a special folding state;
 FIG. 21 is a top view of the electric self propelled motorized suitcase in which the handle is open and the bracket is open in a special folding state;
 FIG. 22 is a bottom view of the electric self propelled motorized suitcase in which the handle is open and the bracket is open in a special folding state;
 FIG. 23 is a front perspective view of the electric self propelled motorized suitcase in which the handle is open and the bracket is open in a special folding state;
 FIG. 24 is a back perspective view of the electric self propelled motorized suitcase in which the handle is open and the bracket is open in a special folding state;
 FIG. 25 is a front view of an electric self propelled motorized suitcase showing the handle and the bracket both open;
 FIG. 26 is a back view of the electric self propelled motorized suitcase in which the handle and the bracket are both open;
 FIG. 27 is a right view of the electric self propelled motorized suitcase in which the handle and the bracket are both open;
 FIG. 28 is a left view of the electric self propelled motorized suitcase in which the handle and the bracket are both open;
 FIG. 29 is a top view of the electric self propelled motorized suitcase in which the handle and the bracket are both open;
 FIG. 30 is a bottom view of the electric self propelled motorized suitcase in which the handle and the bracket are both open;
 FIG. 31 is a front perspective view of the electric self propelled motorized suitcase in which the handle and the bracket are both open;
 FIG. 32 is a back perspective view of the electric self propelled motorized suitcase in which the handle and the bracket are both open;
 FIG. 33 is a front view of an electric self propelled motorized suitcase showing in which the handle is open and the bracket is closed;
 FIG. 34 is a back view of the electric self propelled motorized suitcase in which the handle is open and the bracket is closed;

FIG. 35 is a right view of the electric self propelled motorized suitcase in which the handle is open and the bracket is closed;
 FIG. 36 is a left view of the electric self propelled motorized suitcase in which the handle is open and the bracket is closed;
 FIG. 37 is a top view of the electric self propelled motorized suitcase in which the handle is open and the bracket is closed;
 FIG. 38 is a bottom view of the electric self propelled motorized suitcase in which the handle is open and the bracket is closed;
 FIG. 39 is a front perspective view of the electric self propelled motorized suitcase in which the handle is open and the bracket is closed; and,
 FIG. 40 is a back perspective view of the electric self propelled motorized suitcase in which the handle is open and the bracket is closed.

1 Claim, 40 Drawing Sheets

(58) **Field of Classification Search**

CPC A45C 2003/008; A45C 3/02; A45C 5/00;
 A45C 5/03; A45C 5/14; A45C 2005/032;
 A45C 2005/035; A45C 2005/037
 See application file for complete search history.

(56) **References Cited**

U.S. PATENT DOCUMENTS

D663,953	S *	7/2012	Chidiac	D3/279
9,090,274	B1 *	7/2015	Arjomand	B62B 3/02
D758,076	S *	6/2016	Boer	D3/274
D786,362	S *	5/2017	Pickavance	D21/423
D822,992	S *	7/2018	Berger	D3/274
10,086,895	B1 *	10/2018	Melamed	A45C 9/00
D846,267	S *	4/2019	Lian	D3/217
2005/0285357	A1 *	12/2005	Lin	A45C 9/00 280/47.26
2011/0214957	A1 *	9/2011	Barnard	A45C 5/14 190/15.1
2016/0255928	A1 *	9/2016	O'Donnell	A45C 5/03
2018/0035771	A1 *	2/2018	Pickavance	A45C 5/03

OTHER PUBLICATIONS

Micro, "Micro Luggage Scooter—Black", Oldest review posted Jul. 3, 2012. (<https://www.micro-scooters.co.uk/micro-luggage-scooter-black.html>) (Year: 2012).*

Amazon, "20 inch Scooter Suitcase Ride-on Travel Trolley Luggage for Travel, School and Business", First review posted Sep. 13, 2018. (<https://www.amazon.com/Scooter-Suitcase-Trolley-Luggage-Business/dp/B0793V1414/>) (Year: 2018).*

* cited by examiner

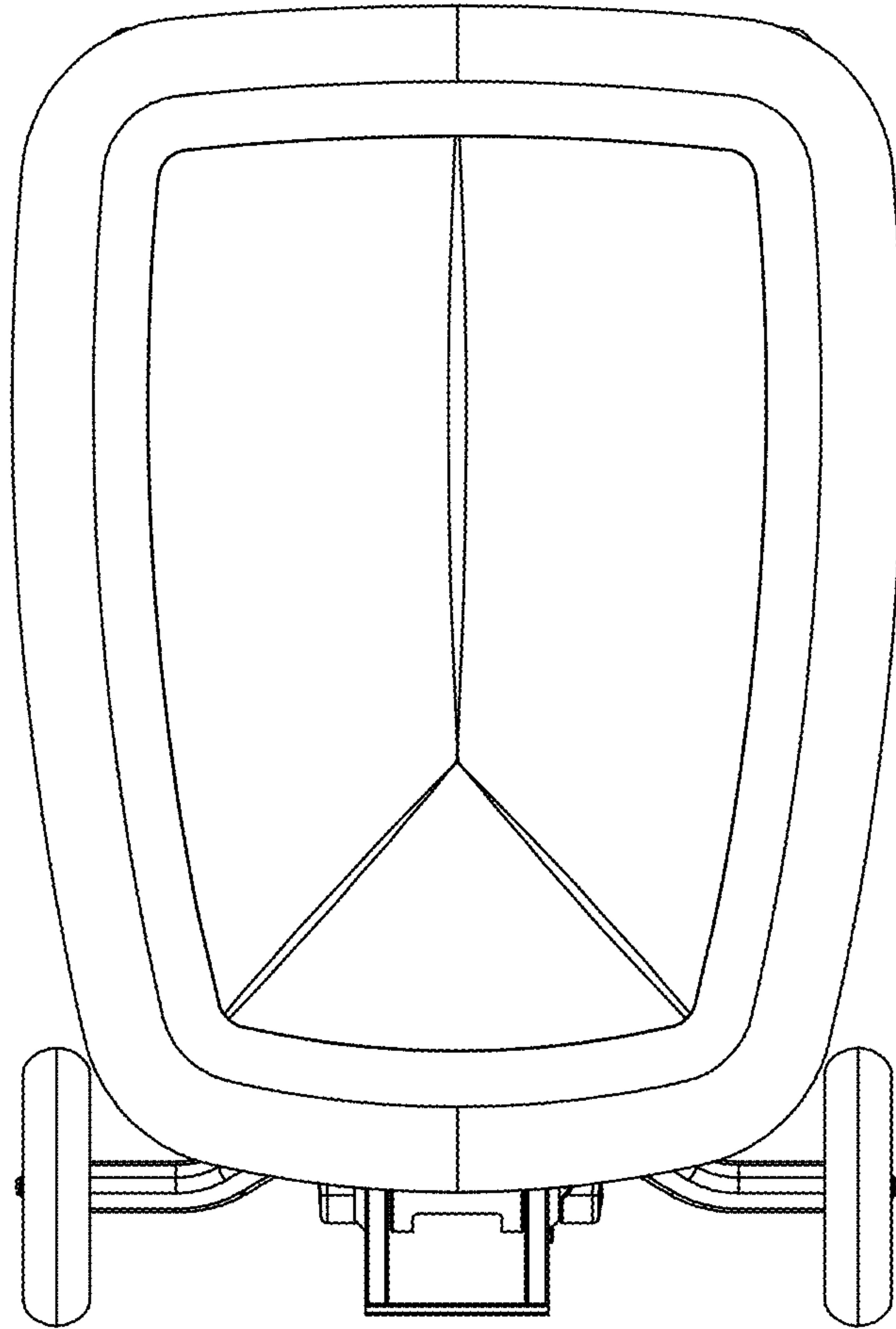


Fig. 1

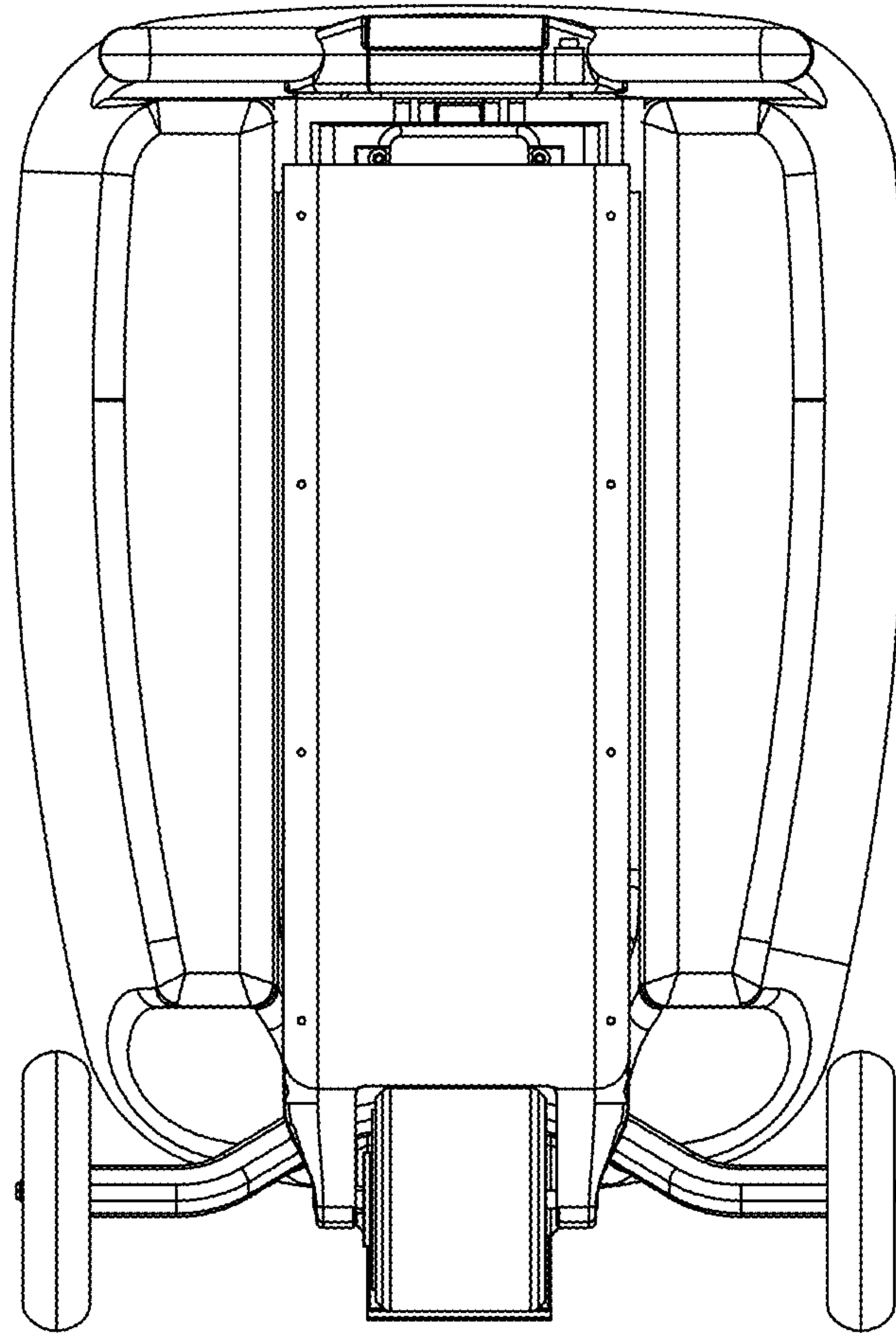


Fig. 2

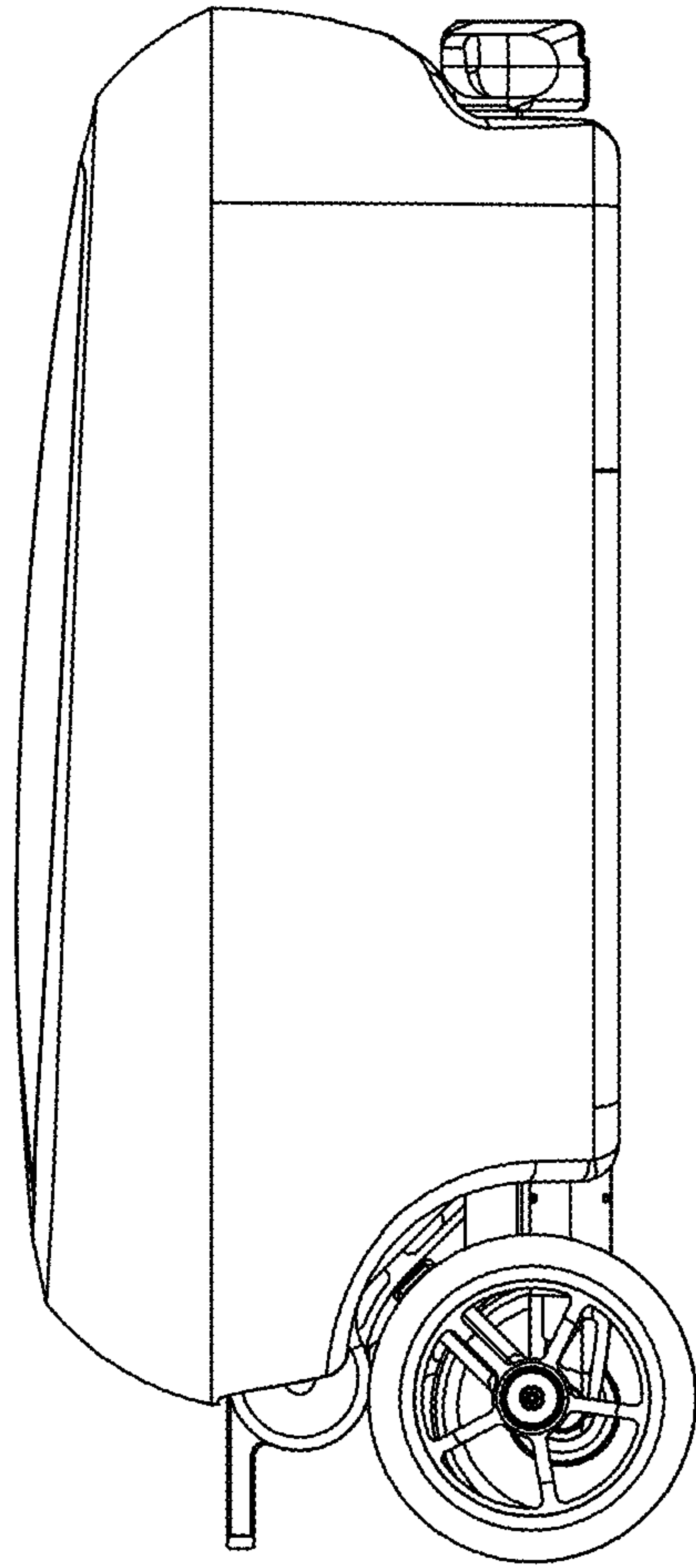


Fig. 3

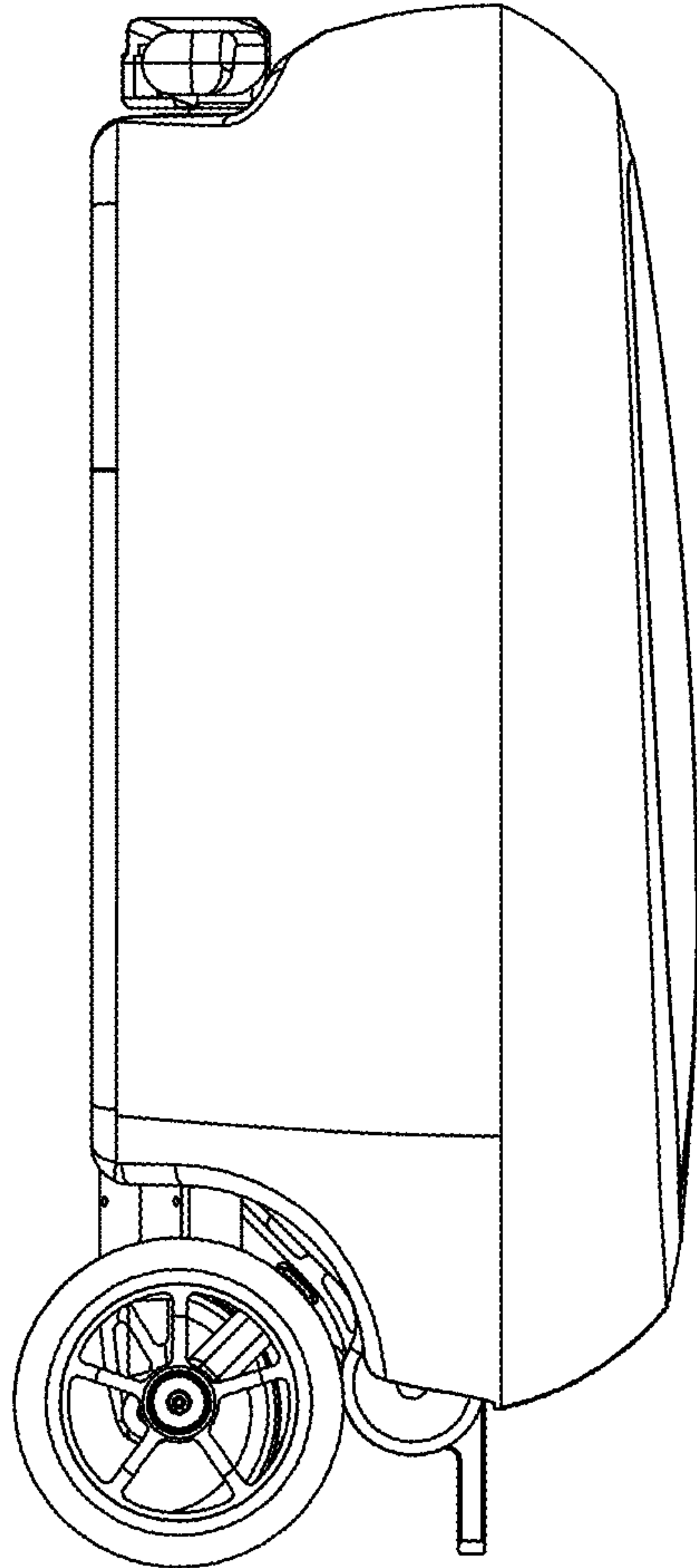


Fig. 4

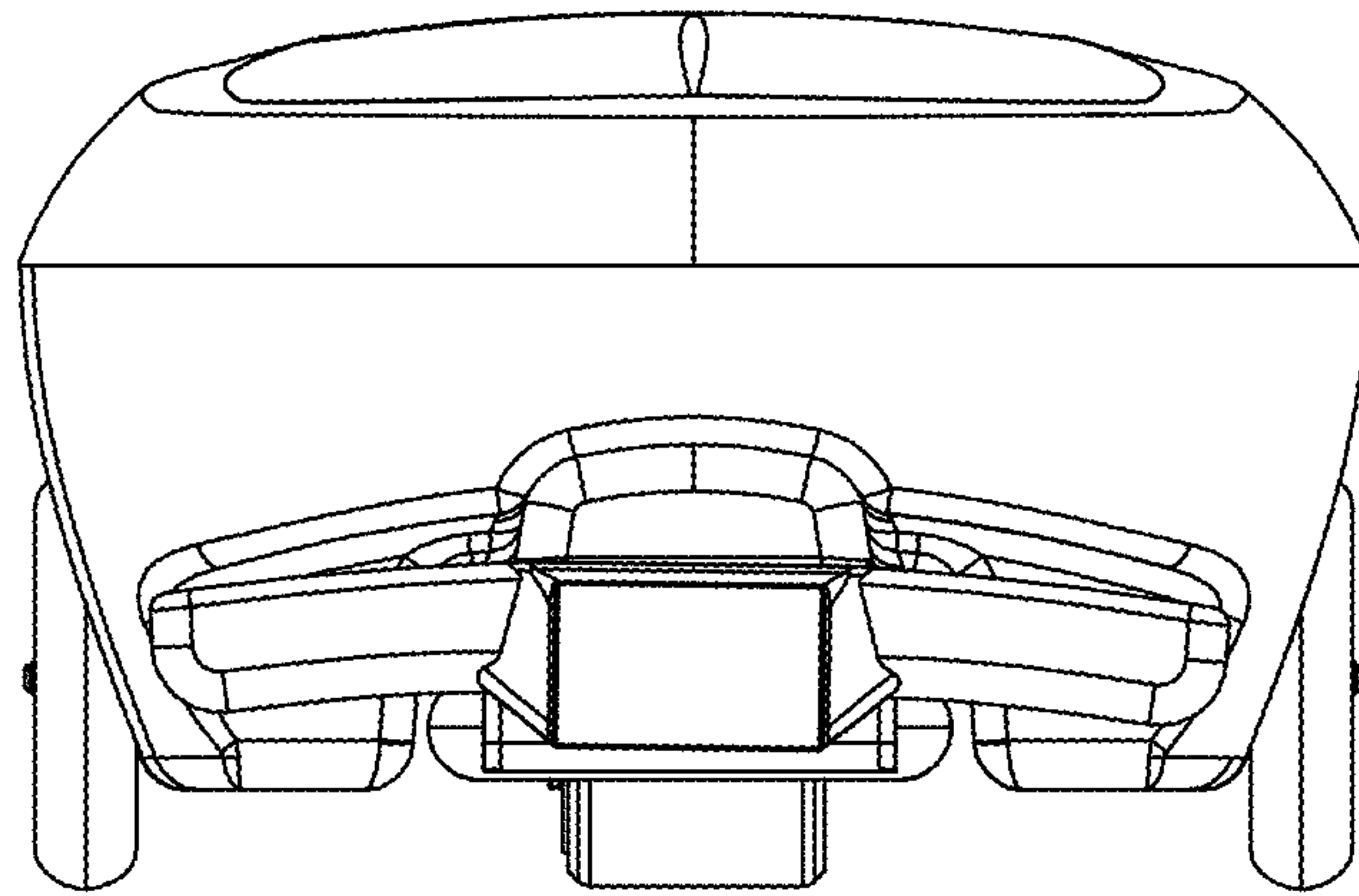


Fig. 5

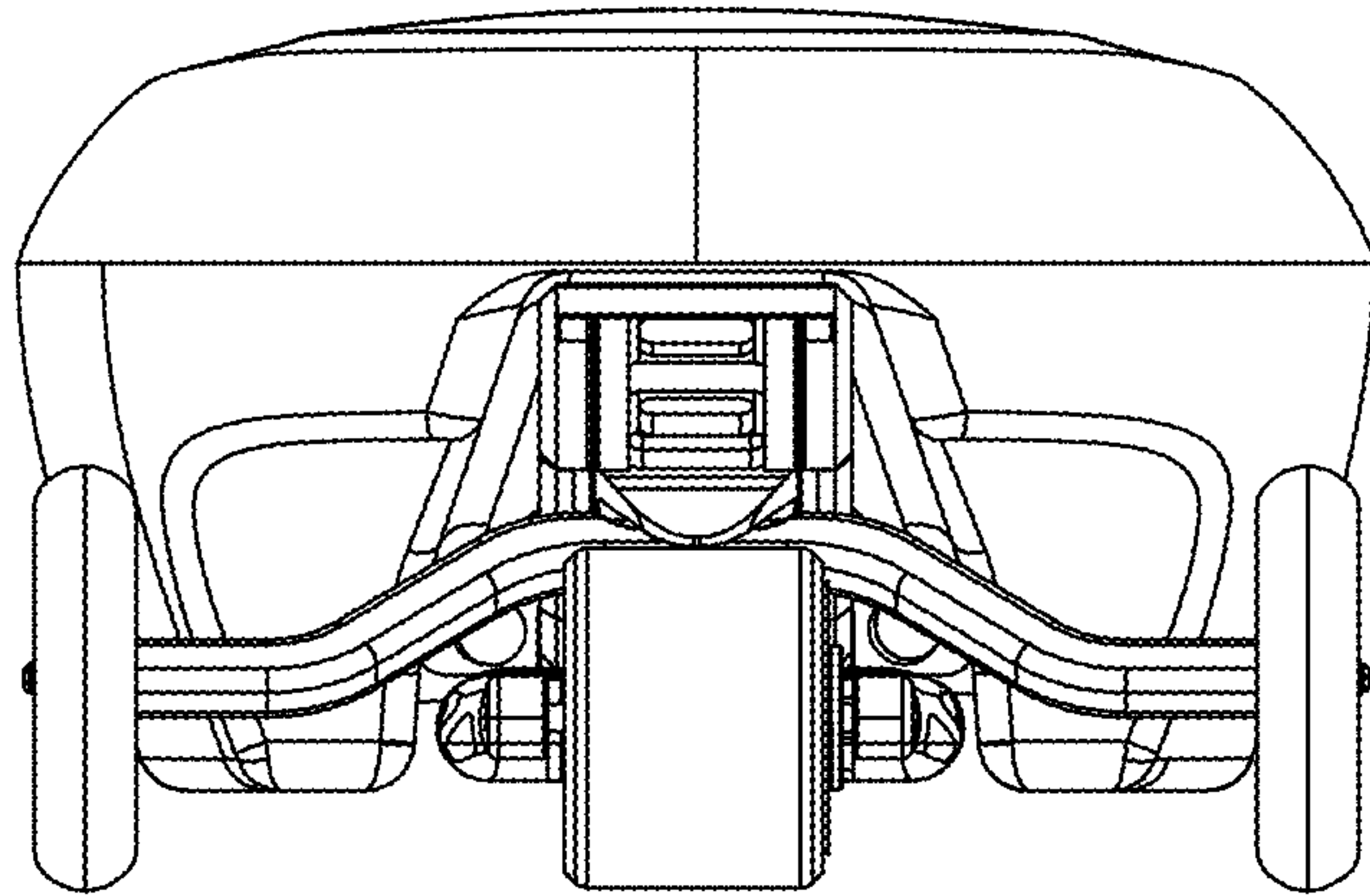


Fig. 6

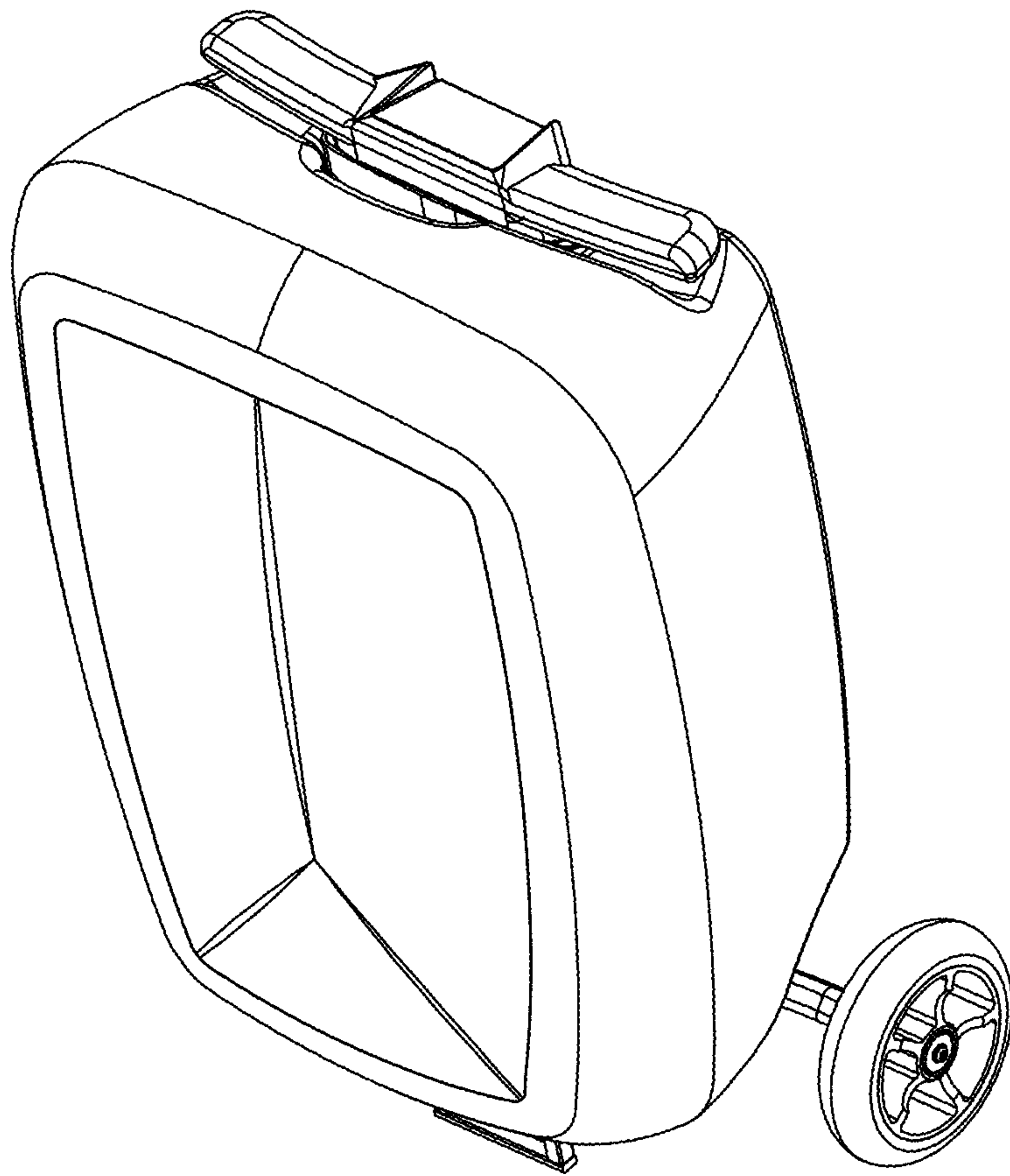


Fig. 7



Fig. 8

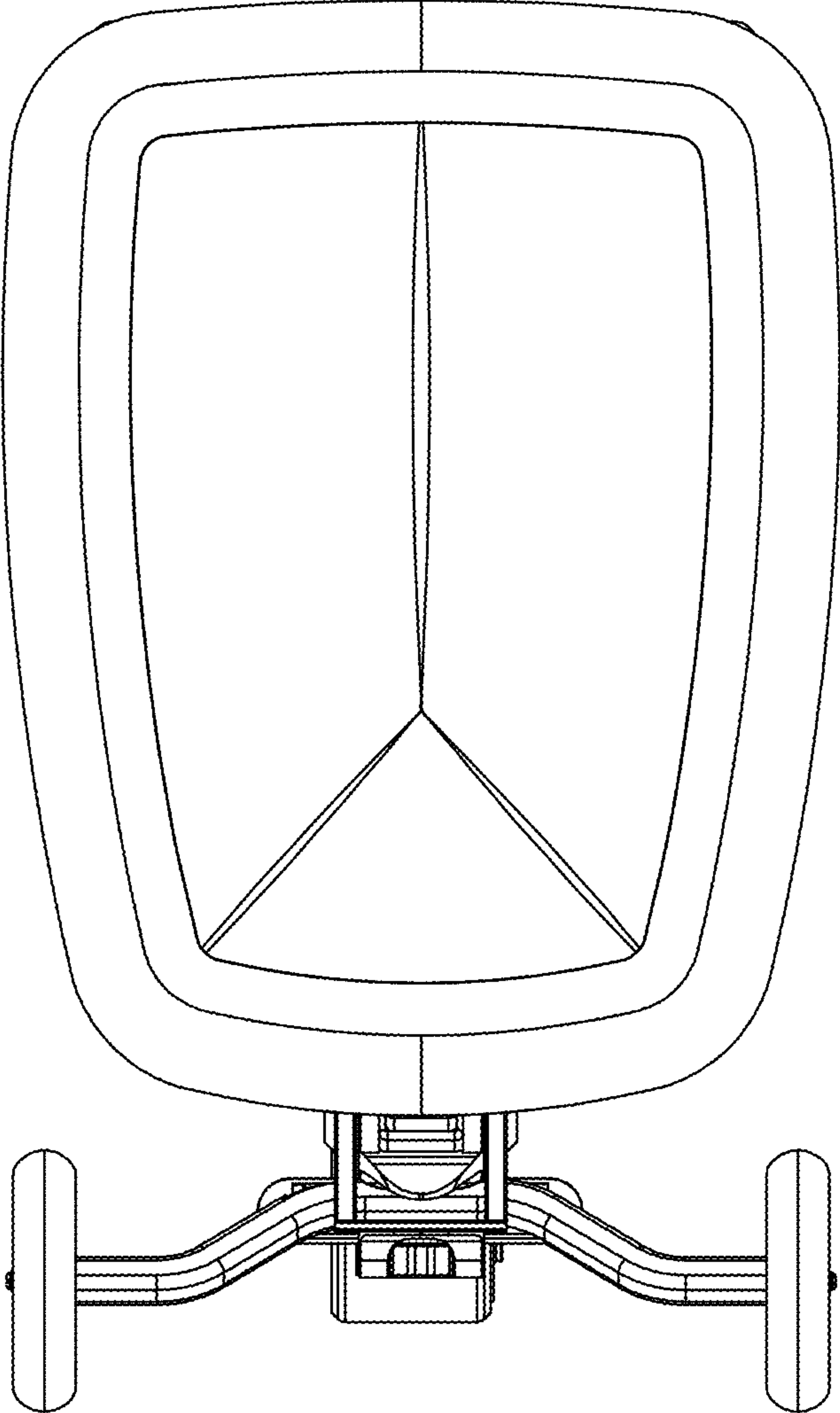


Fig. 9

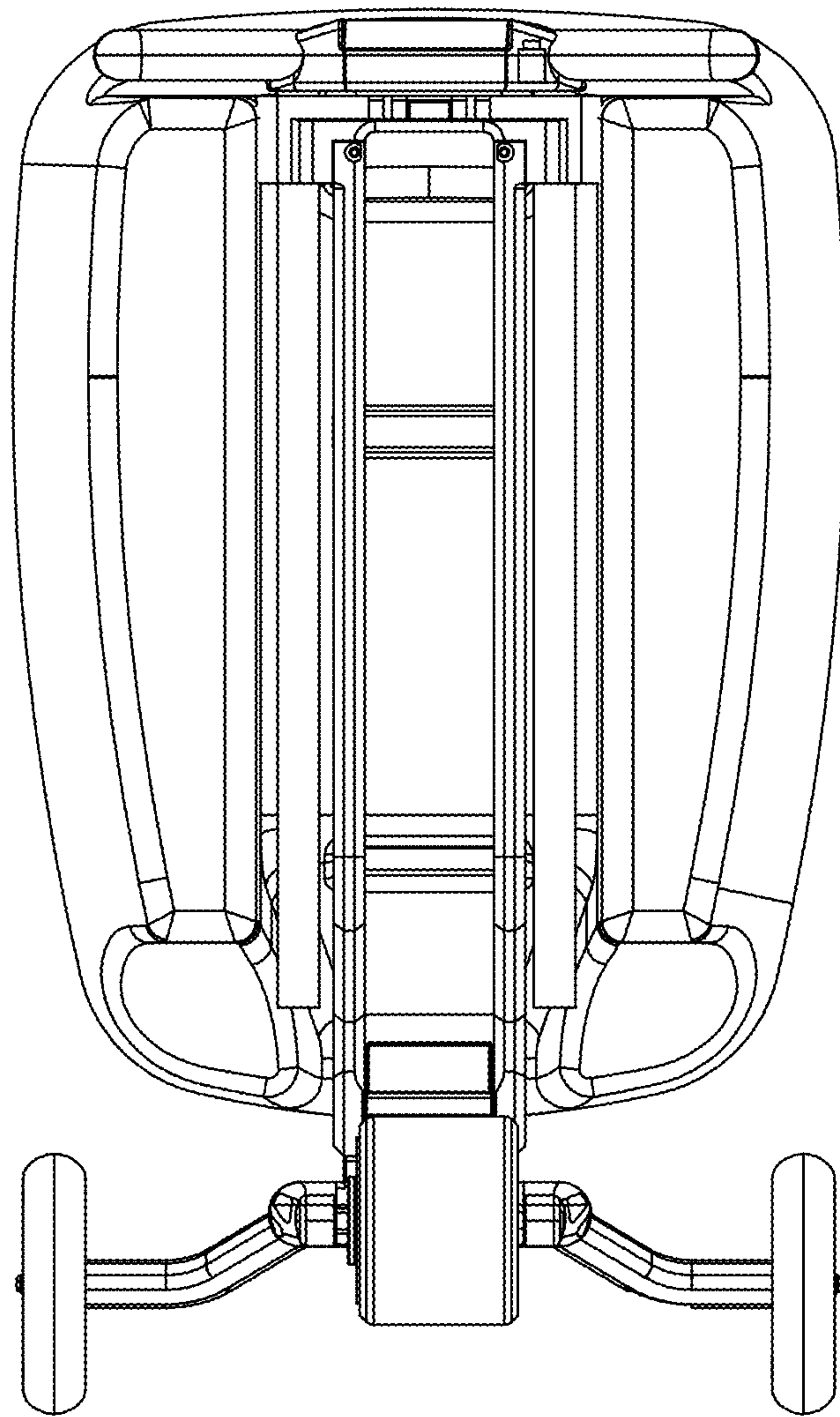


Fig. 10

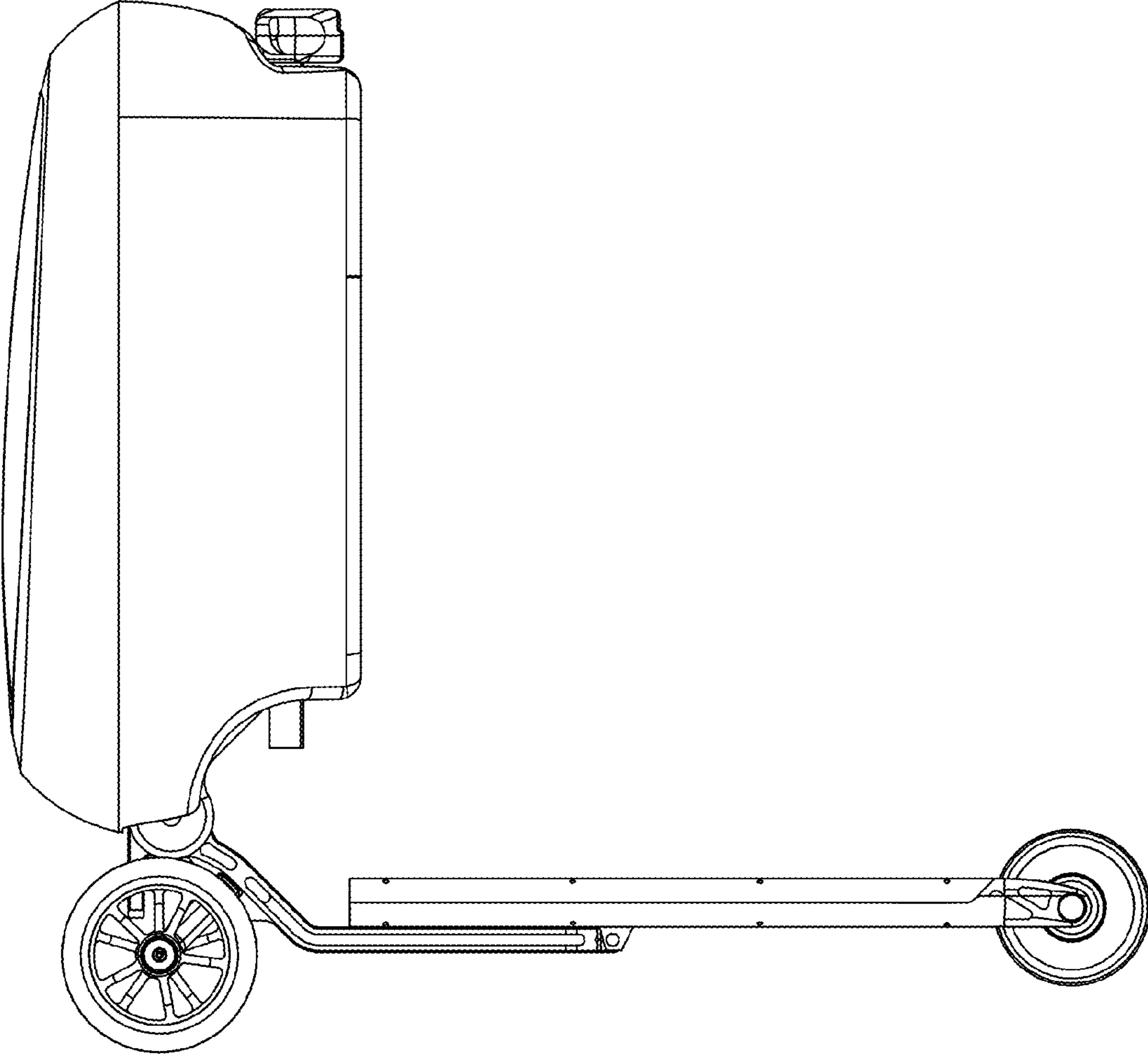


Fig. 11

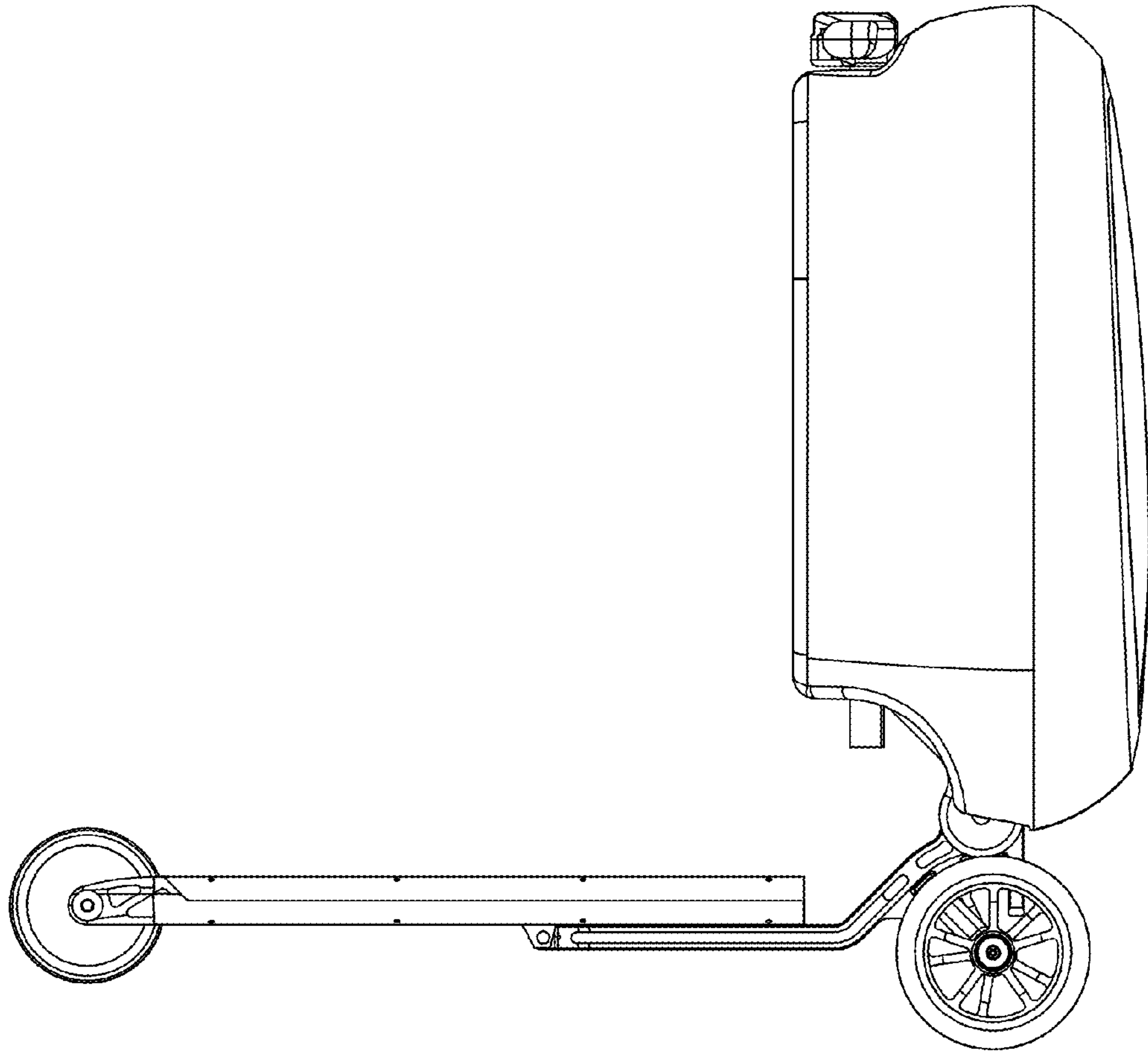


Fig. 12

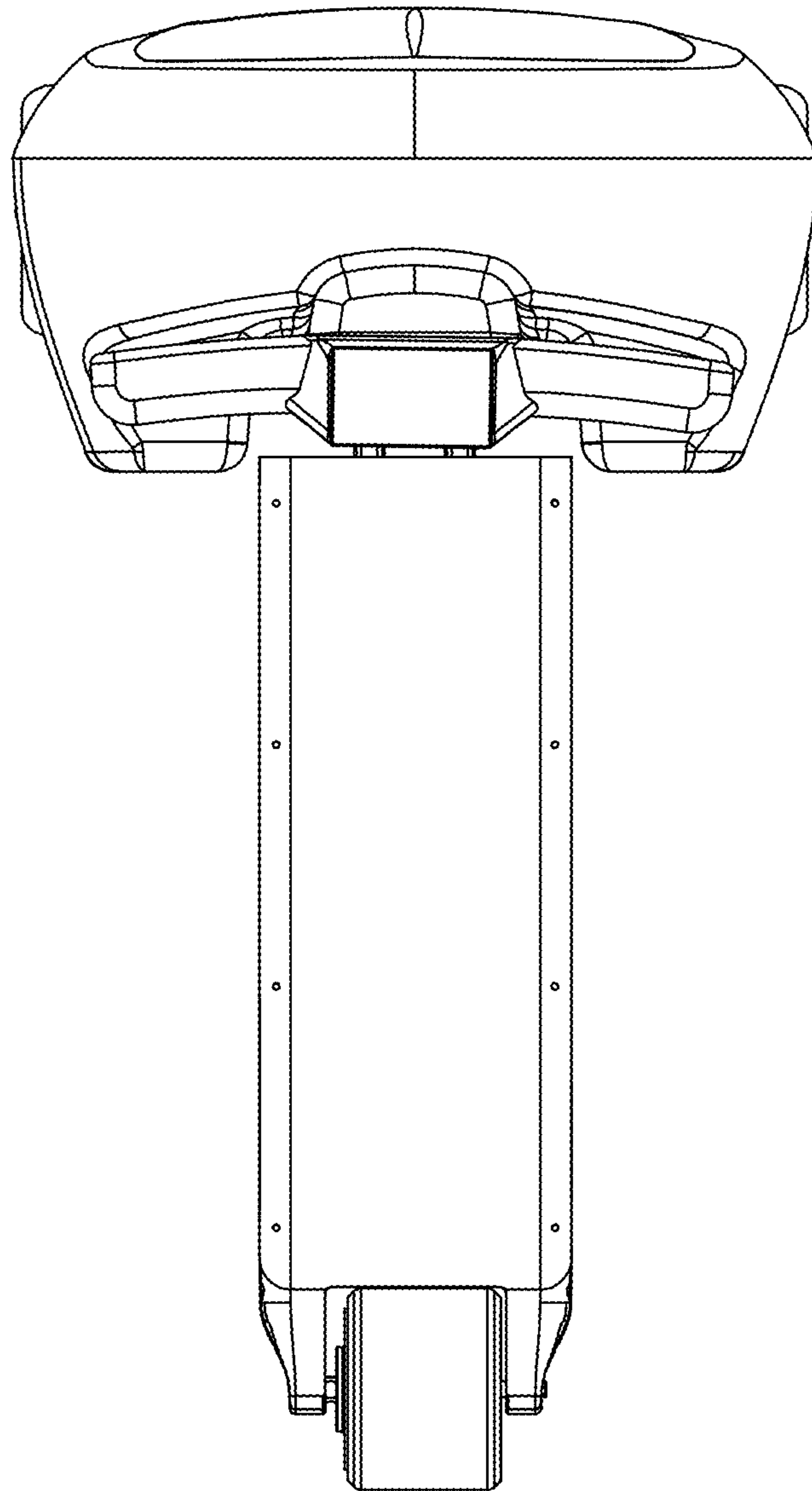


Fig. 13

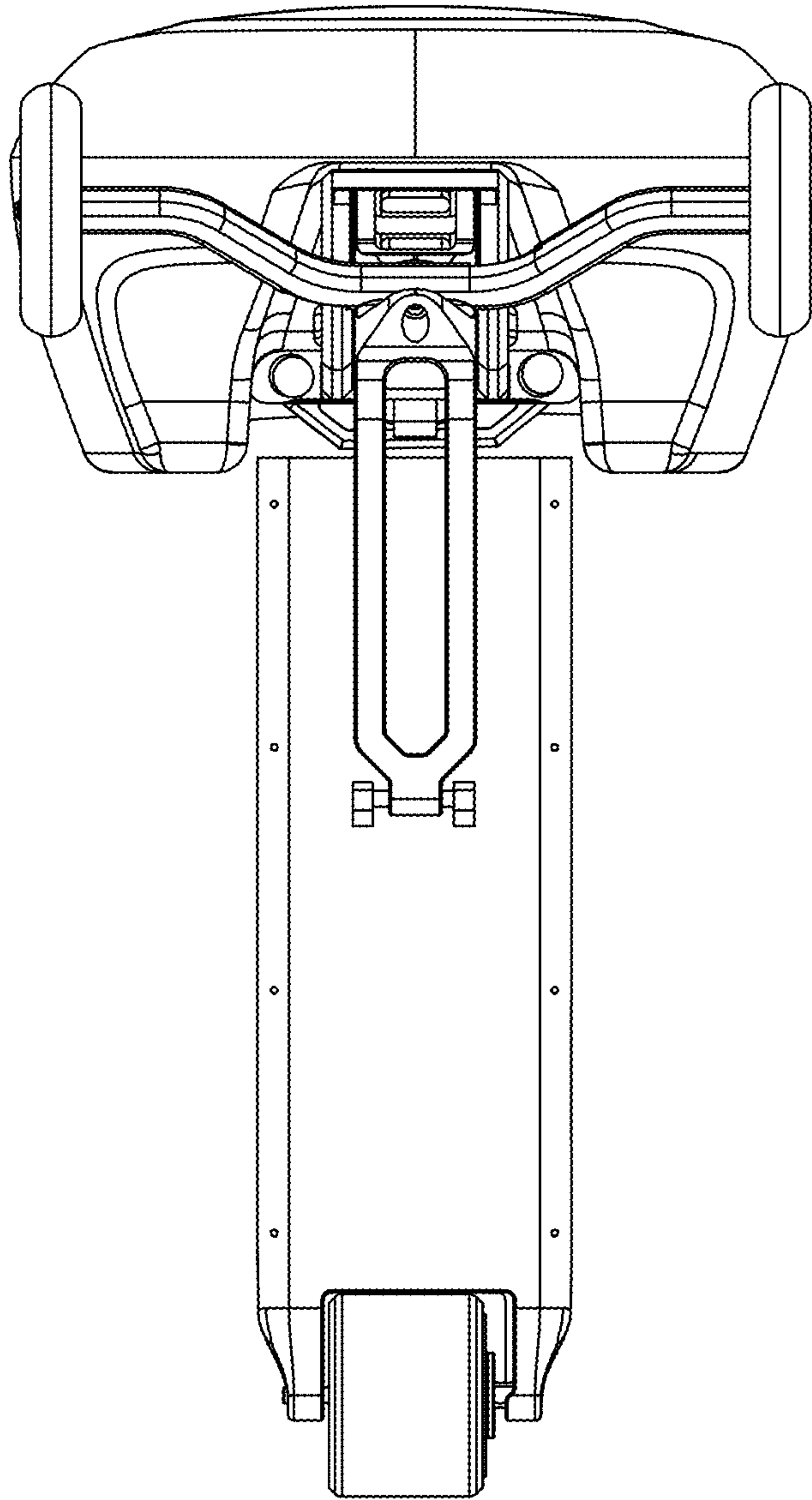


Fig. 14

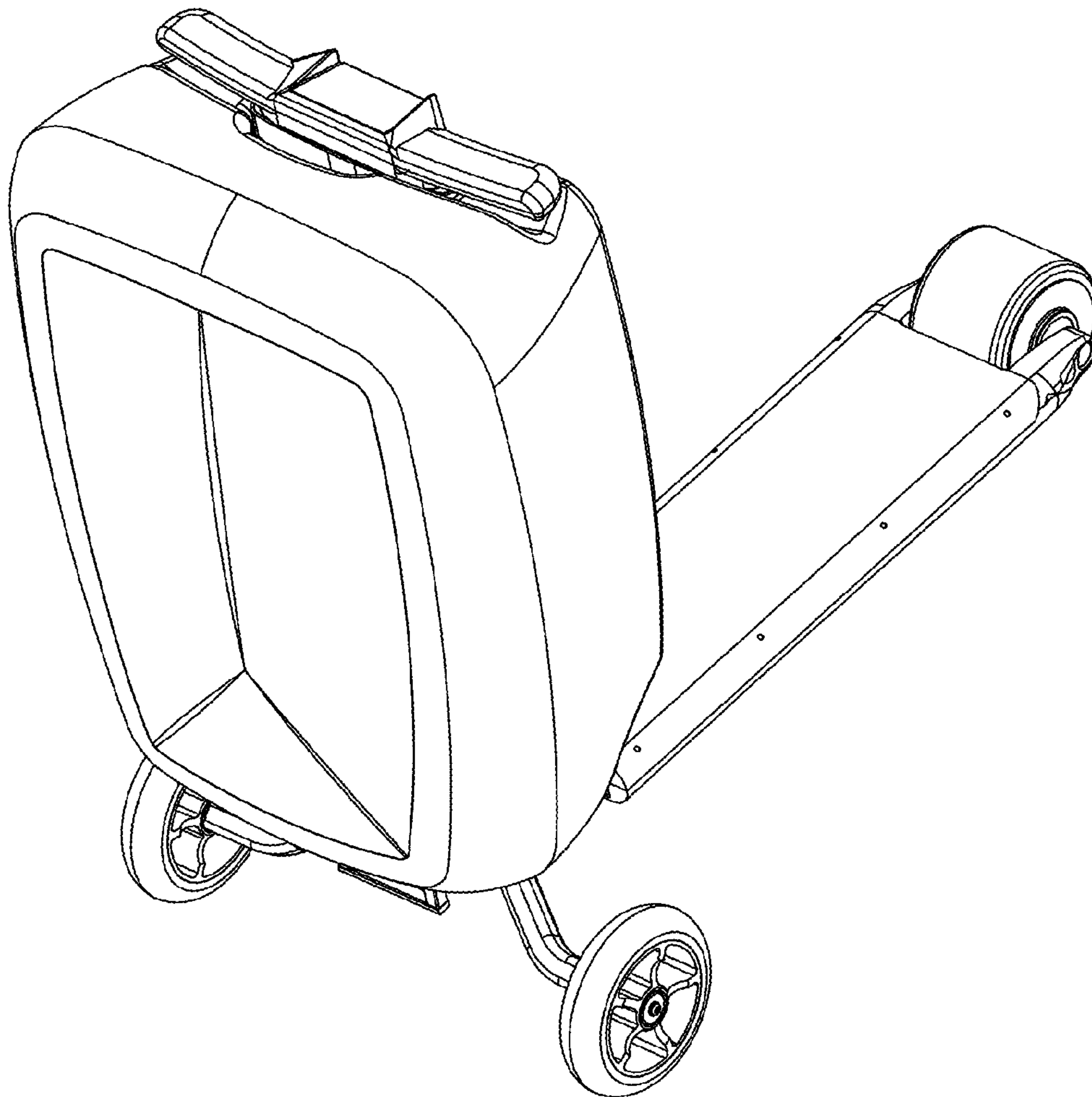


Fig. 15

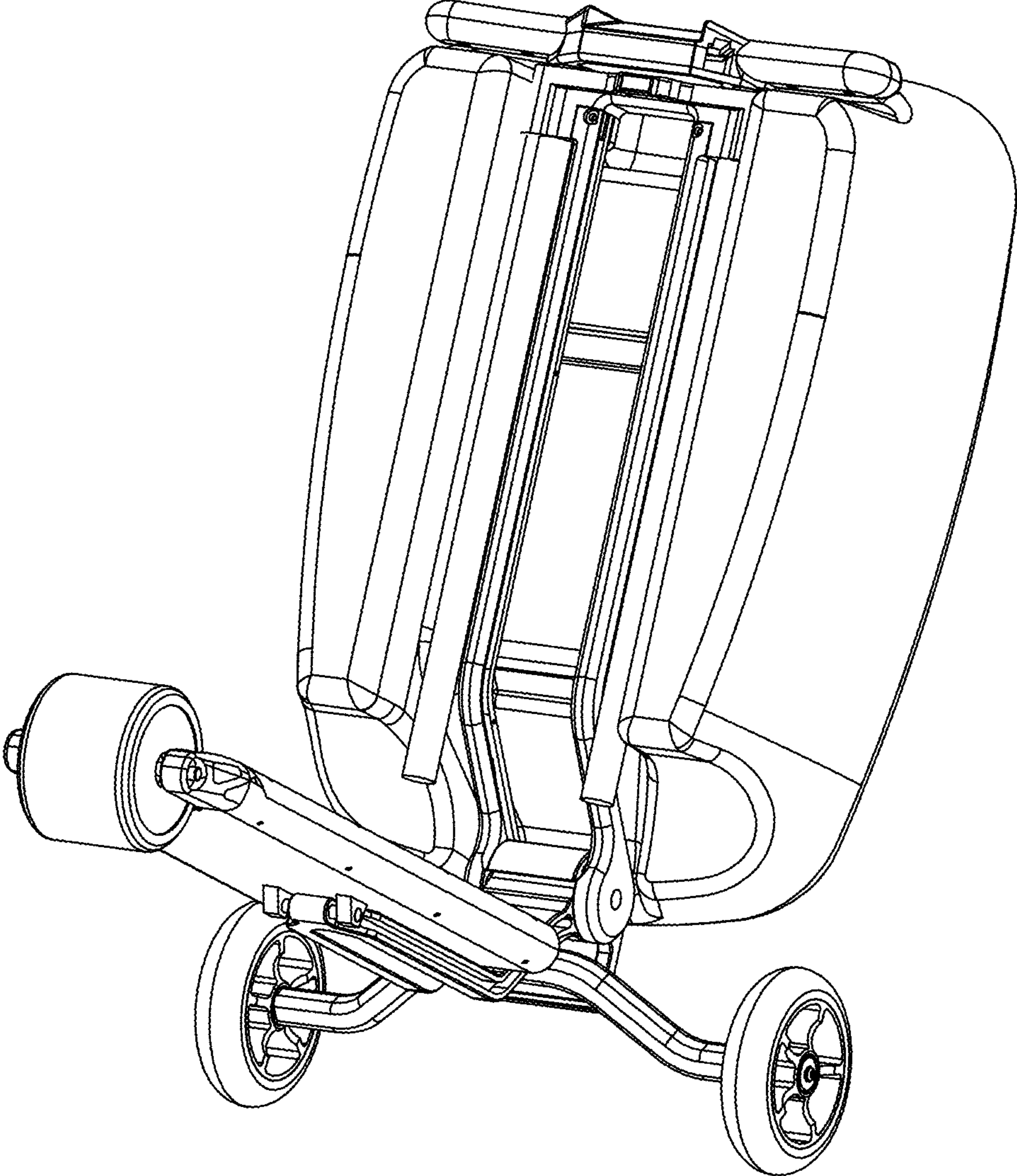


Fig. 16

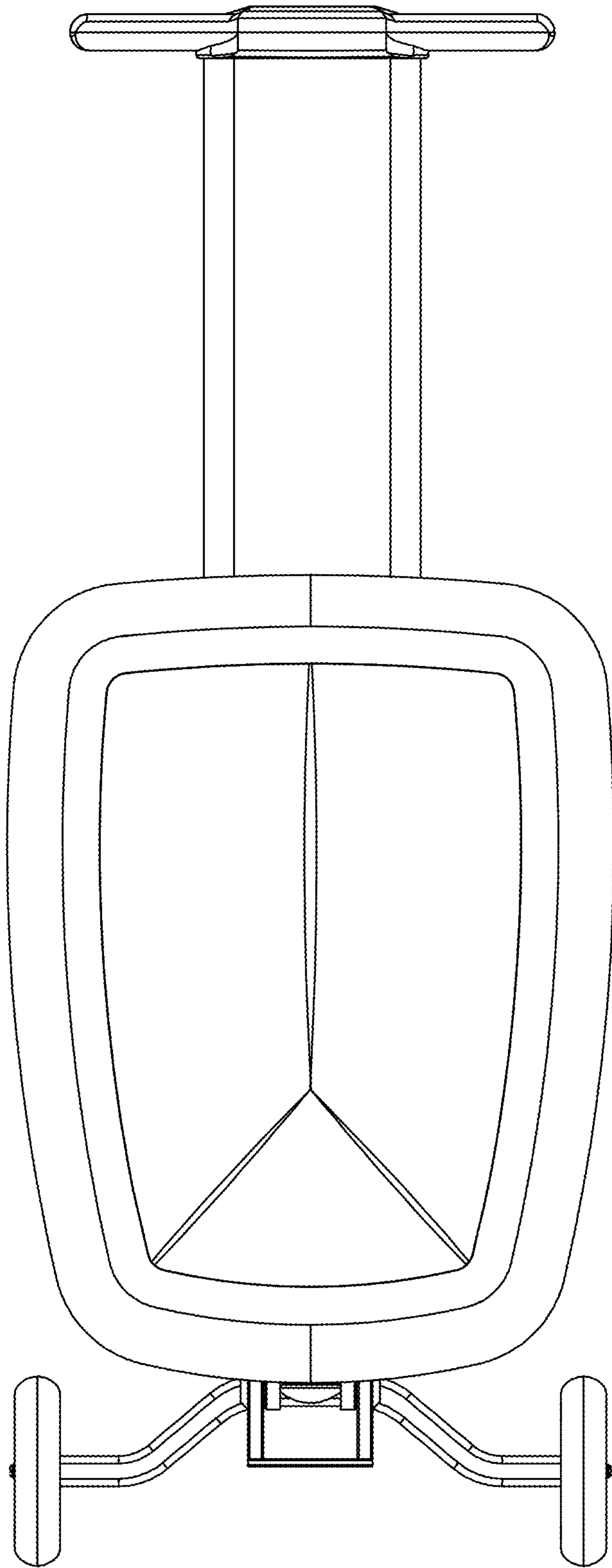


Fig. 17

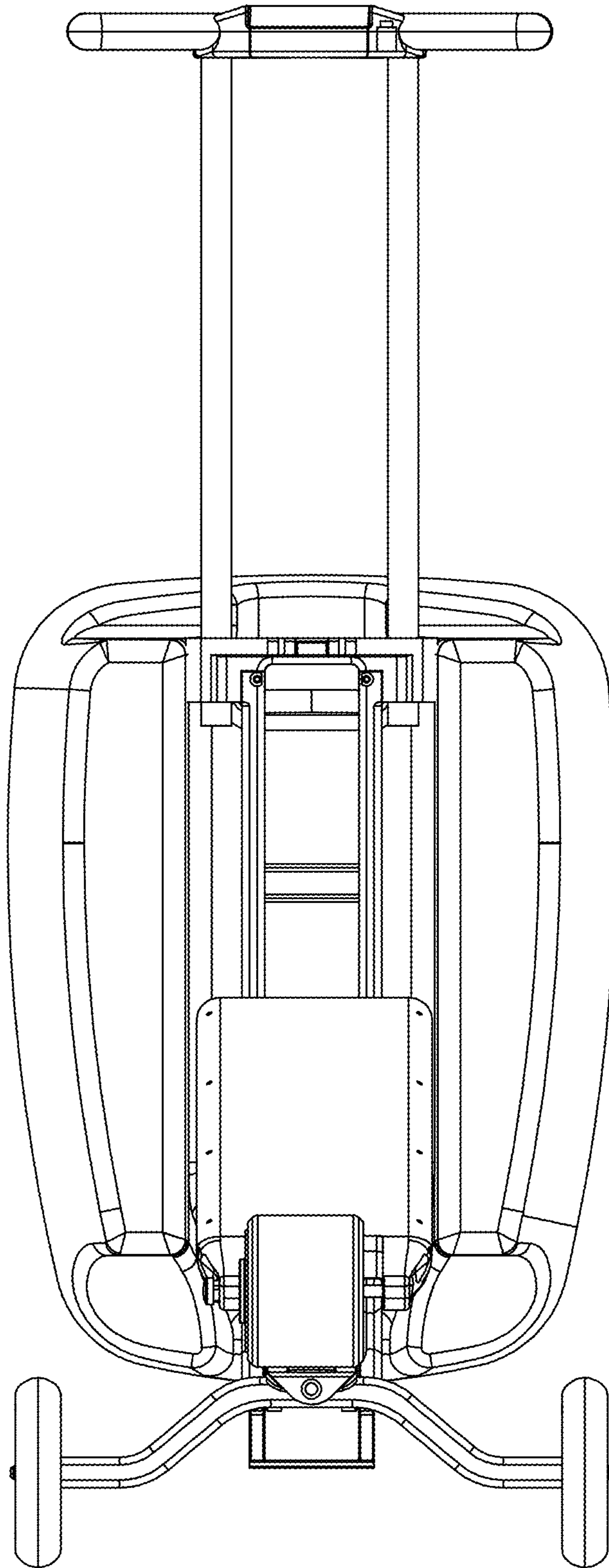


Fig. 18

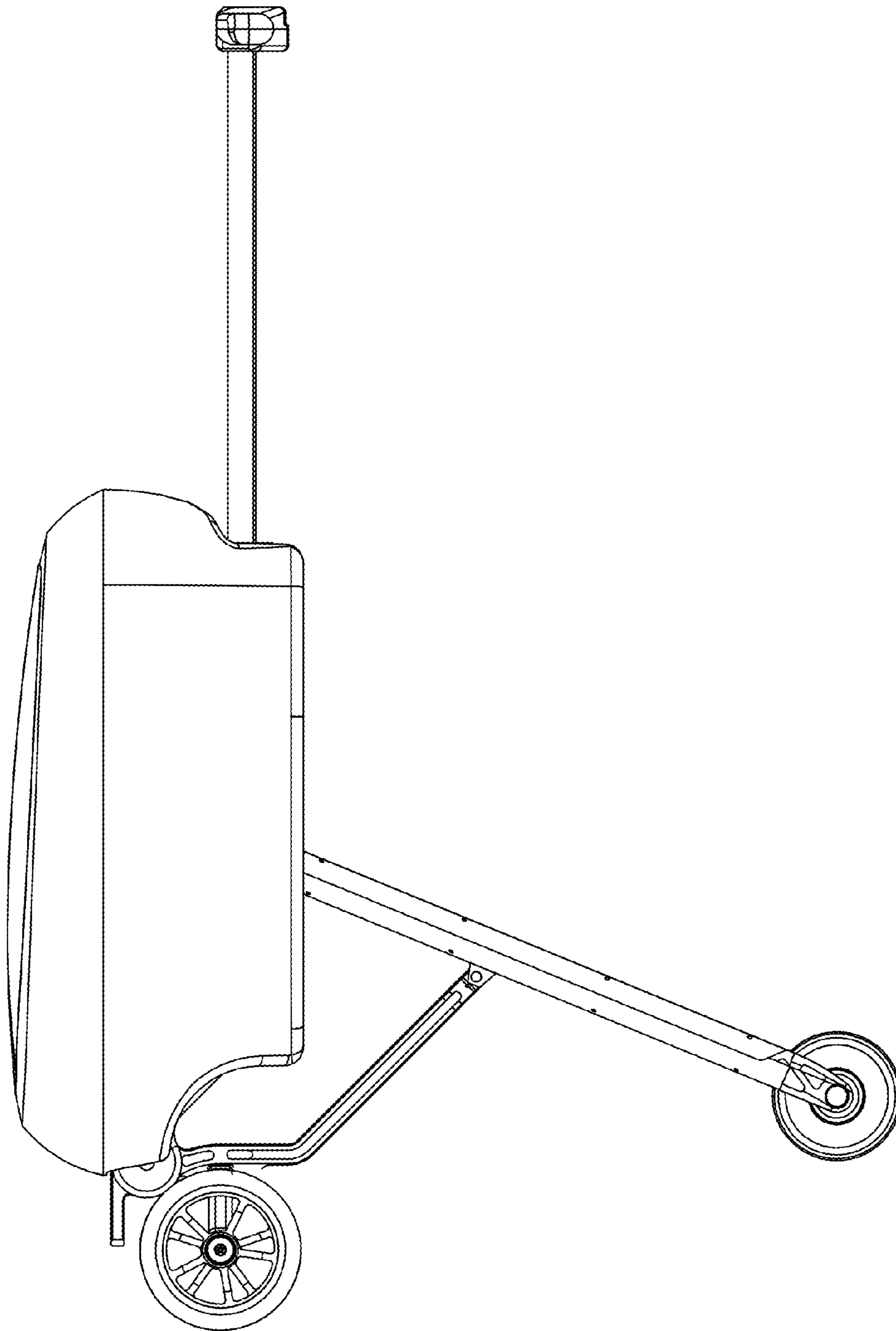


Fig. 19

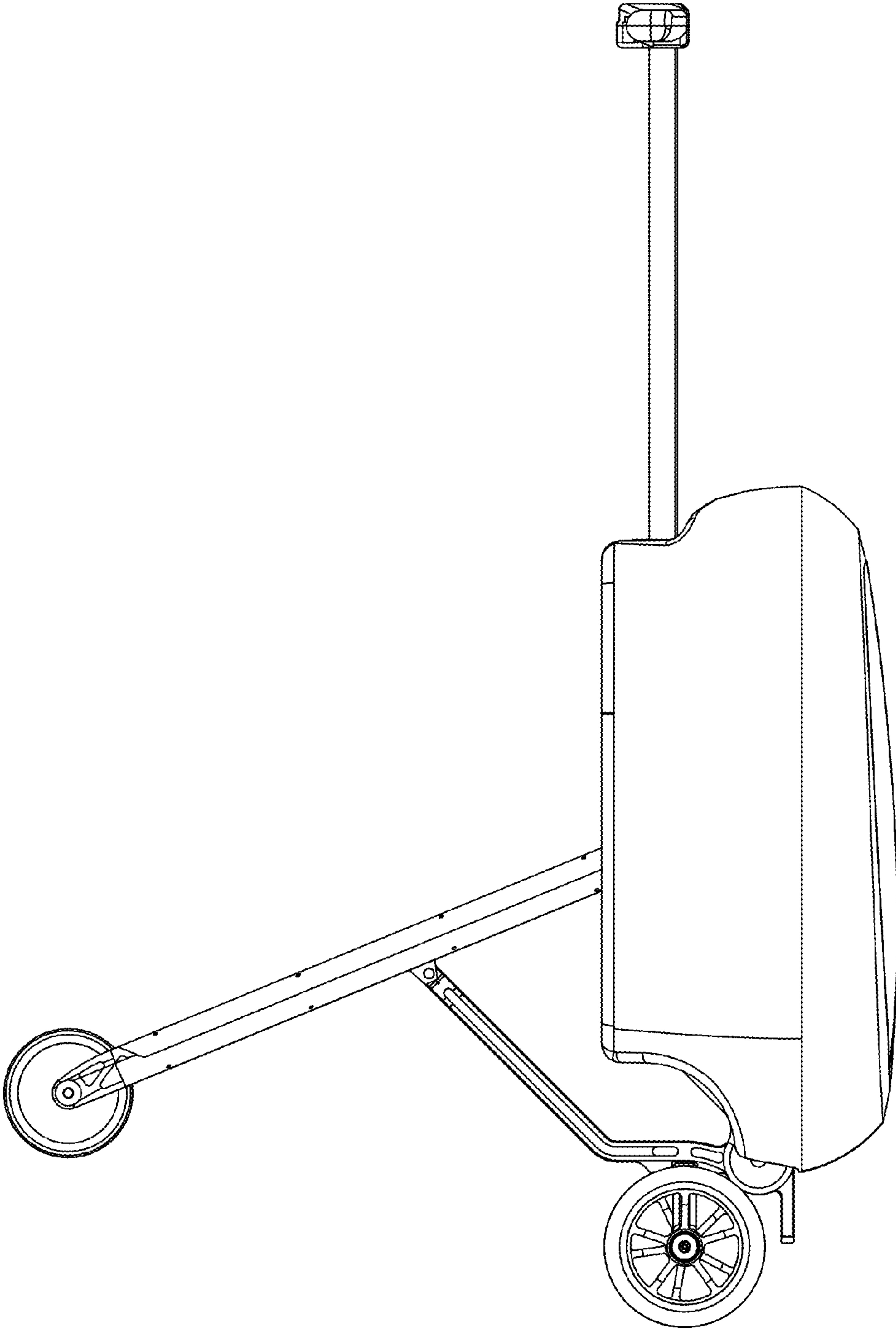


Fig. 20

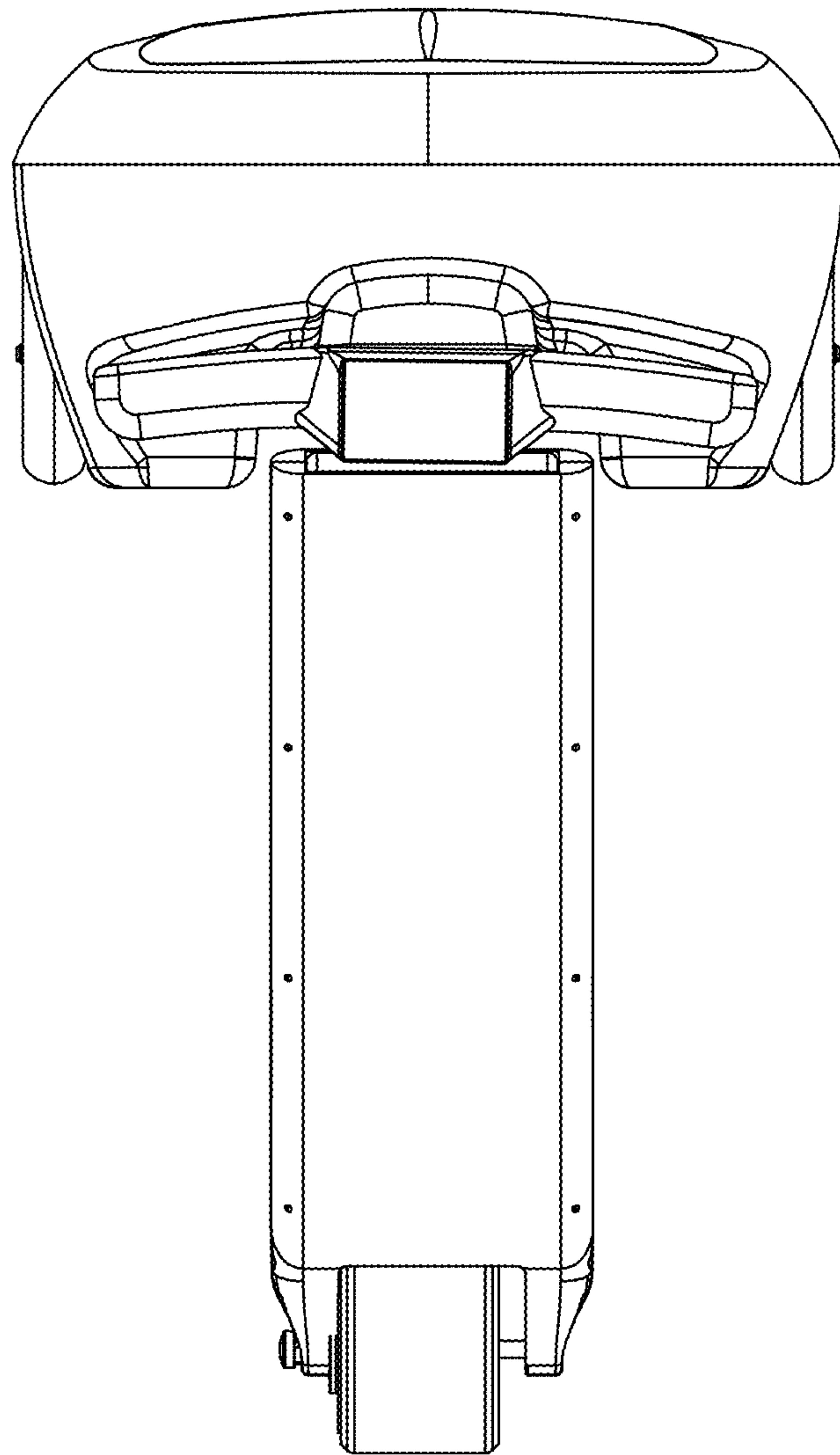


Fig. 21

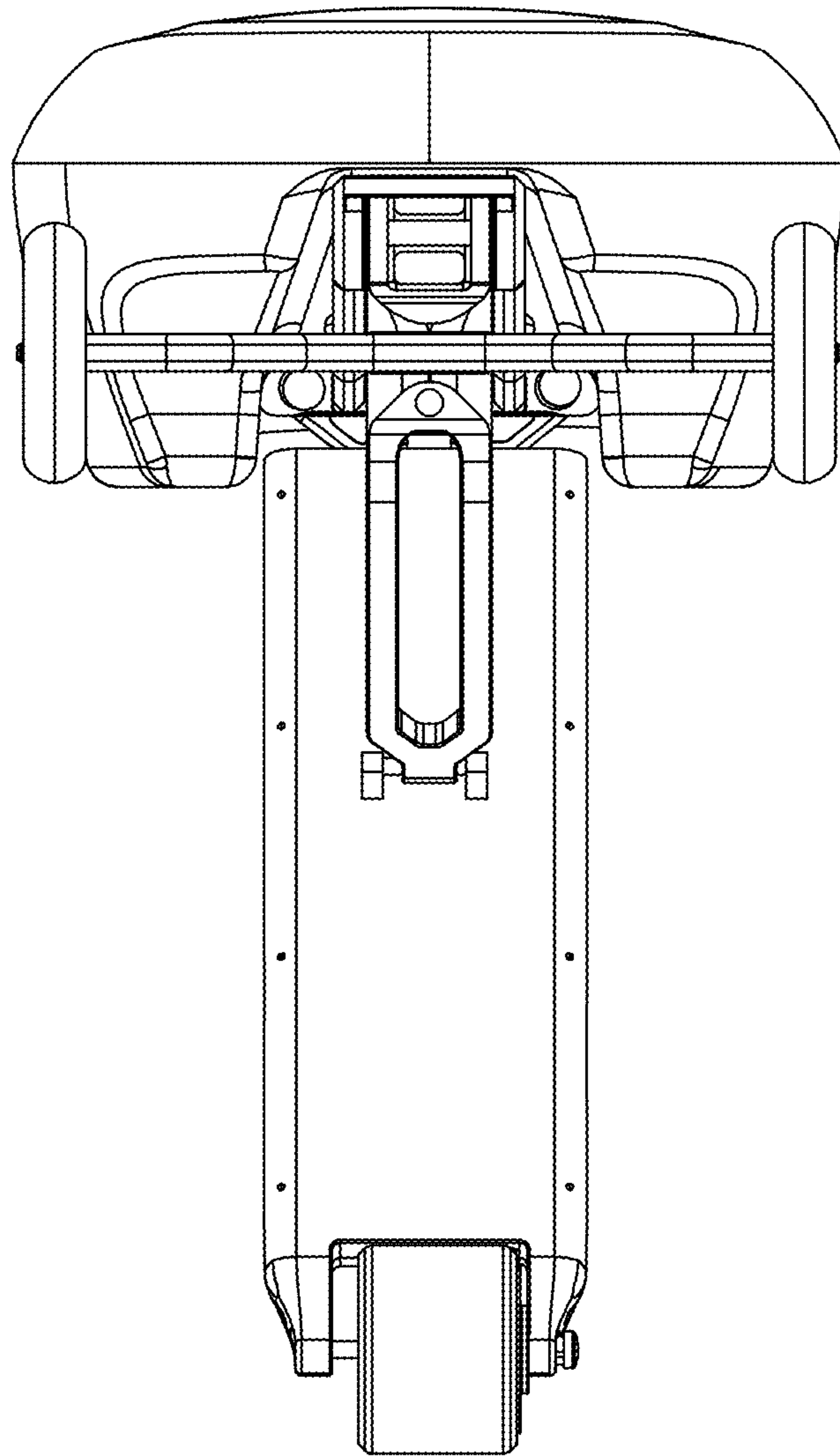


Fig. 22

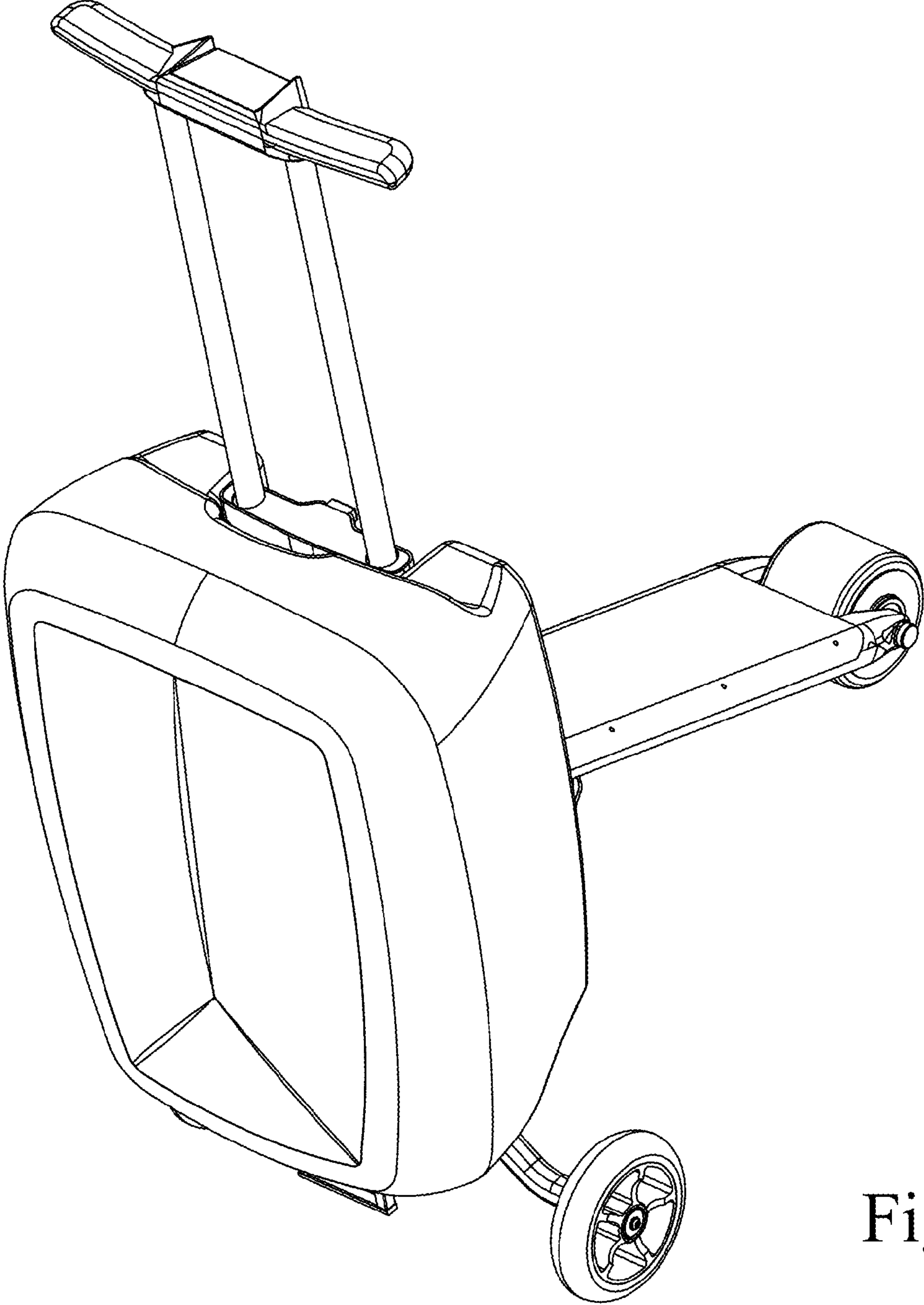


Fig. 23

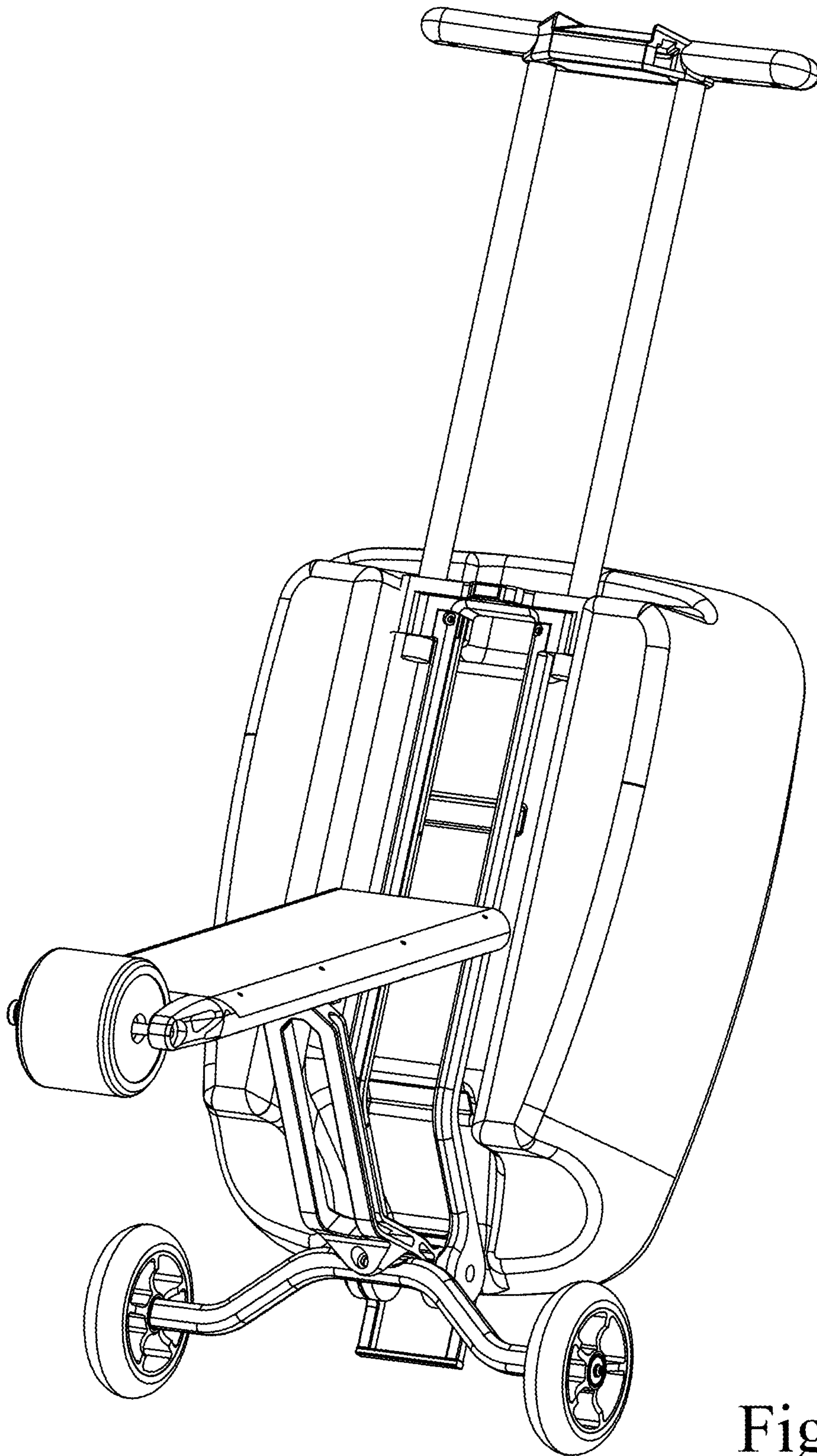


Fig. 24

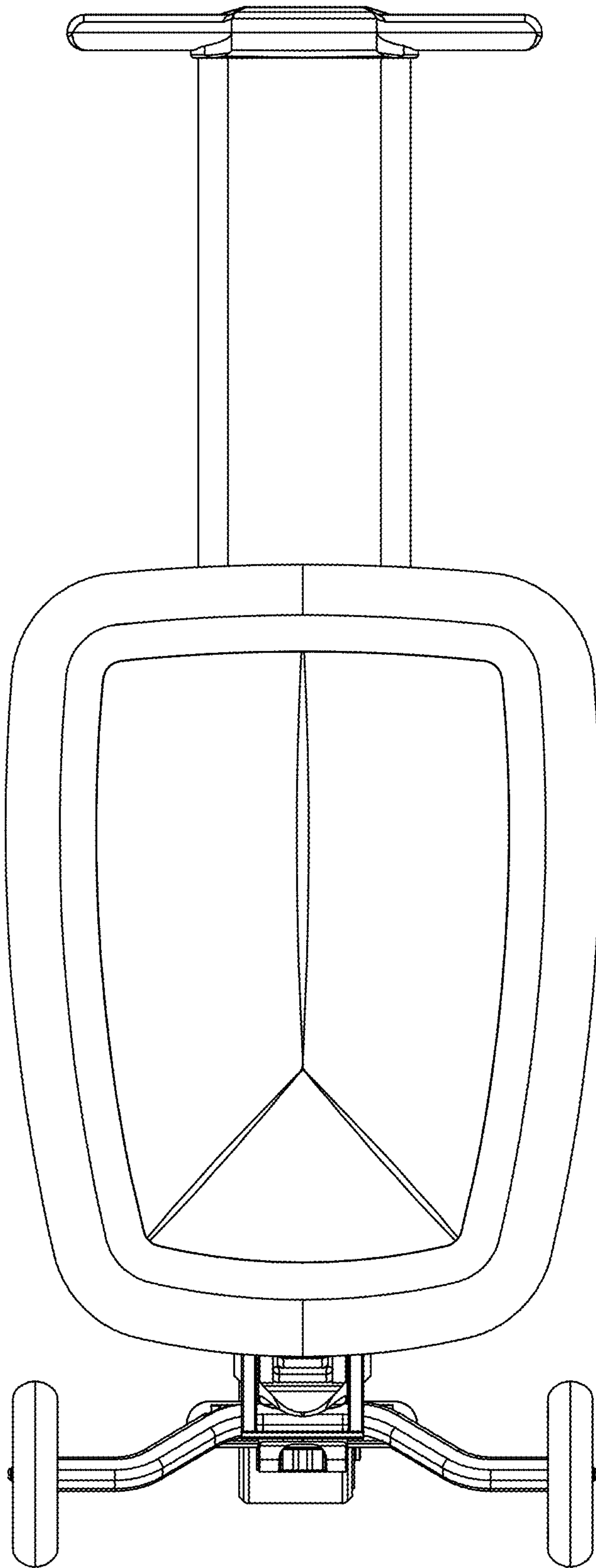


Fig. 25

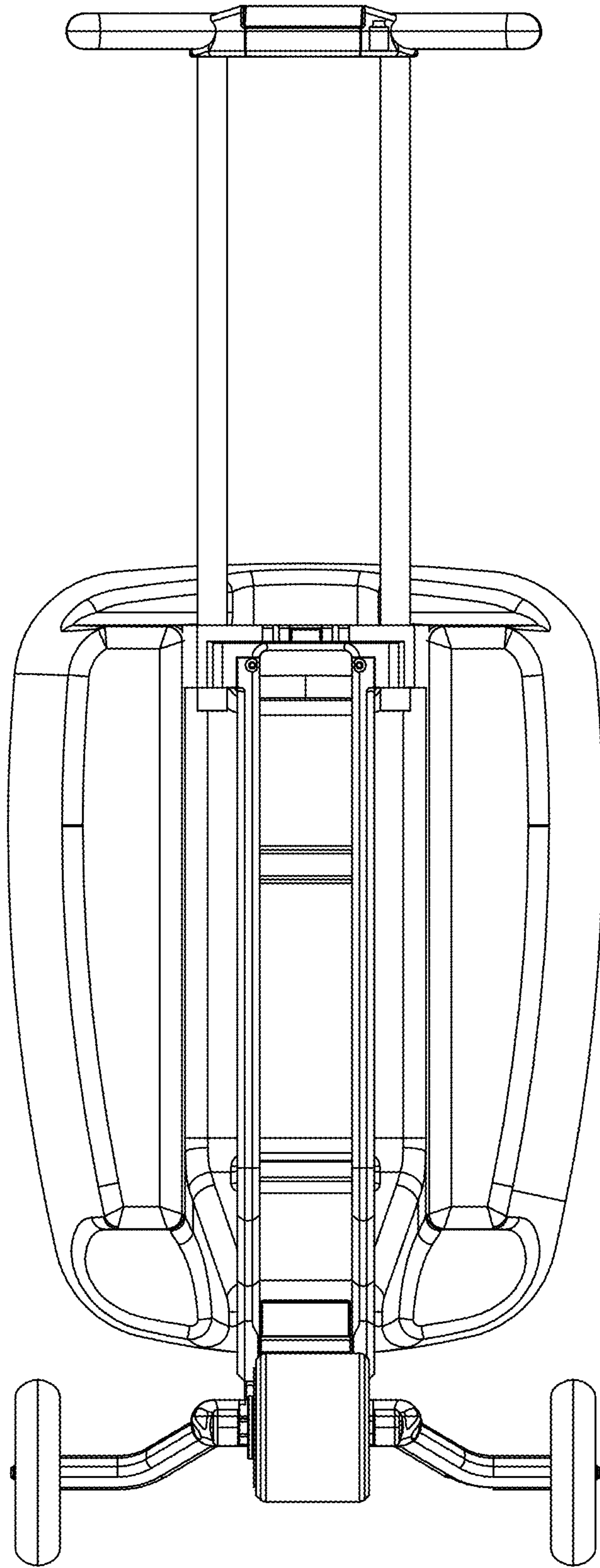


Fig. 26

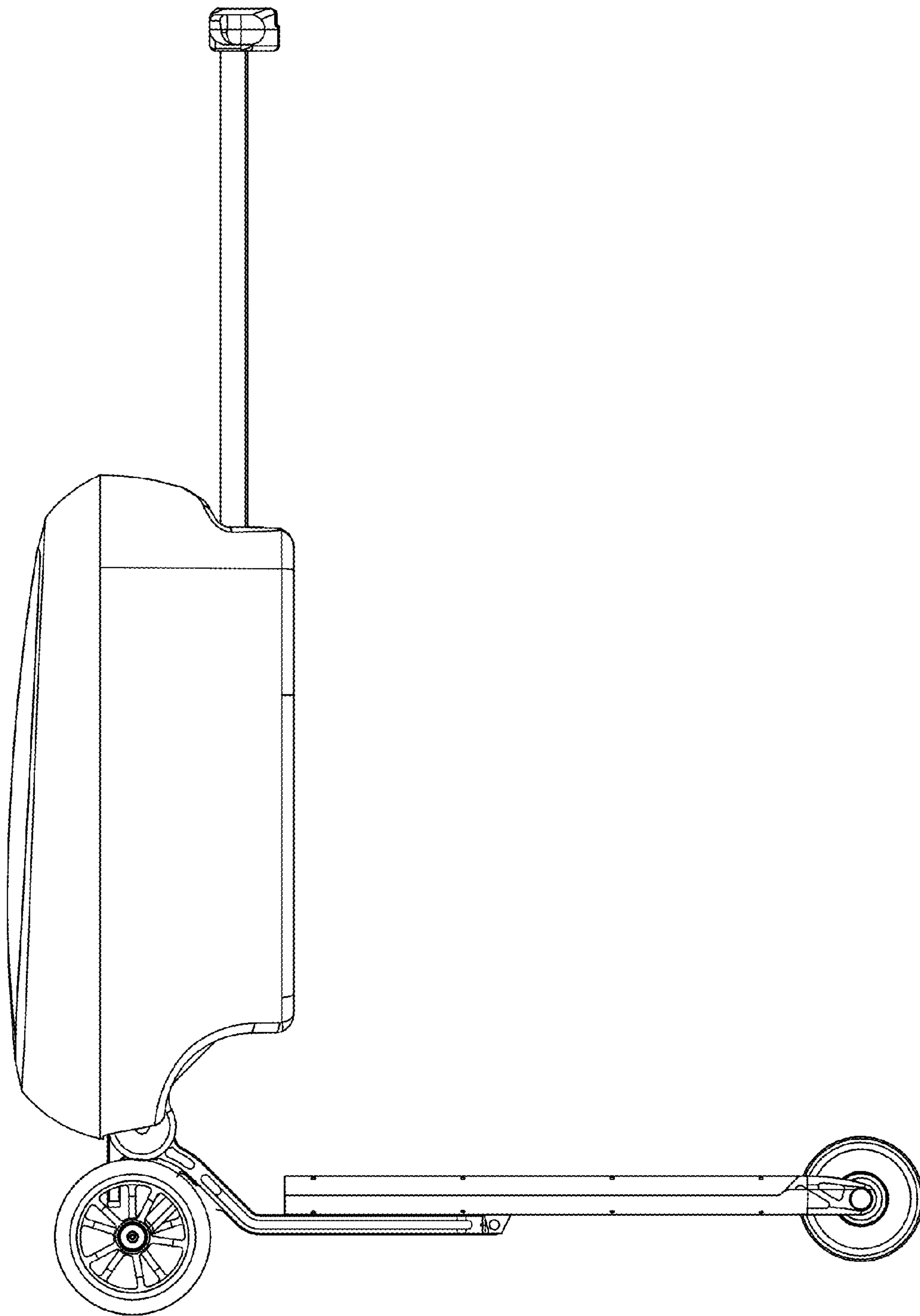


Fig. 27

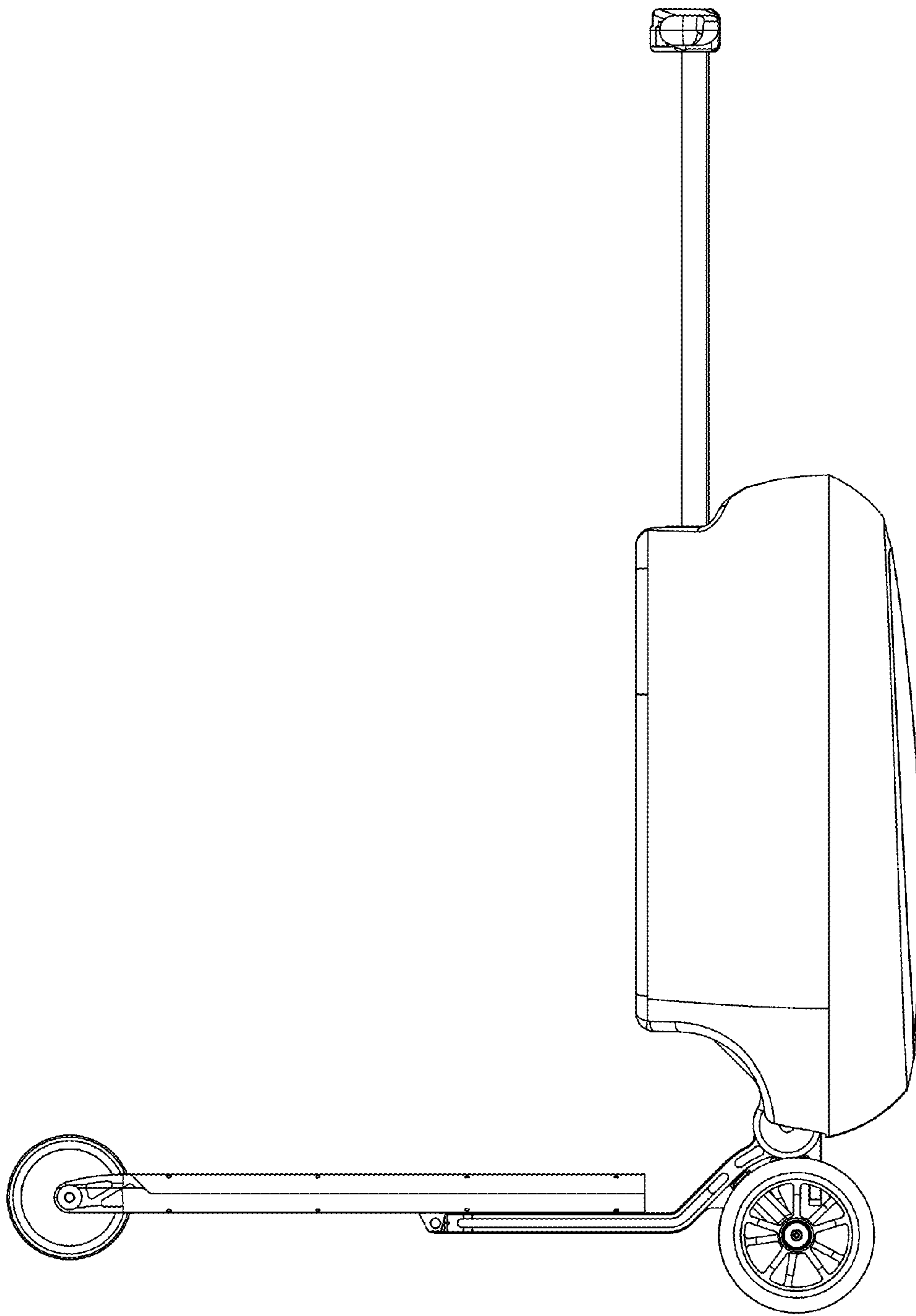


Fig. 28

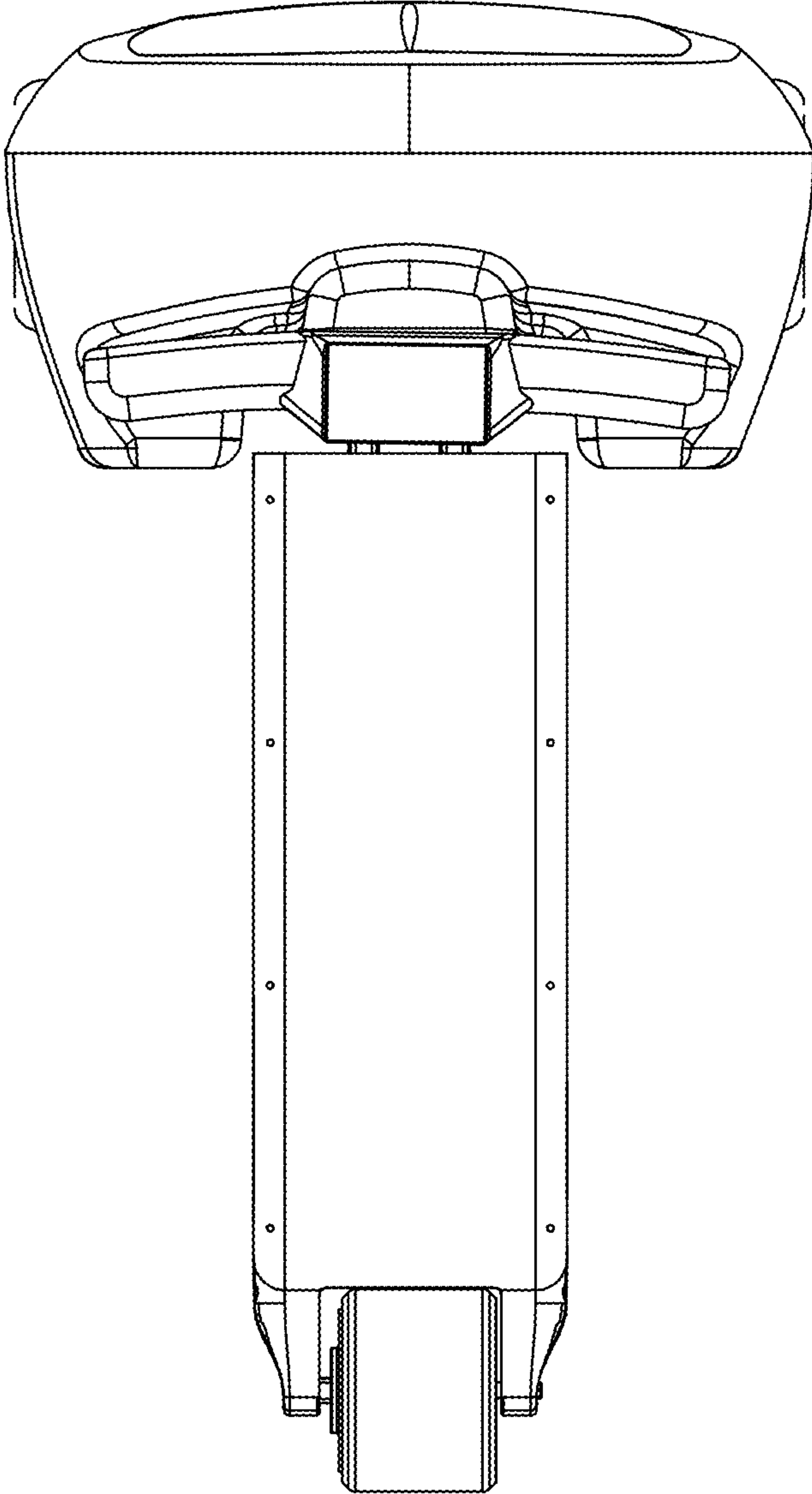


Fig. 29

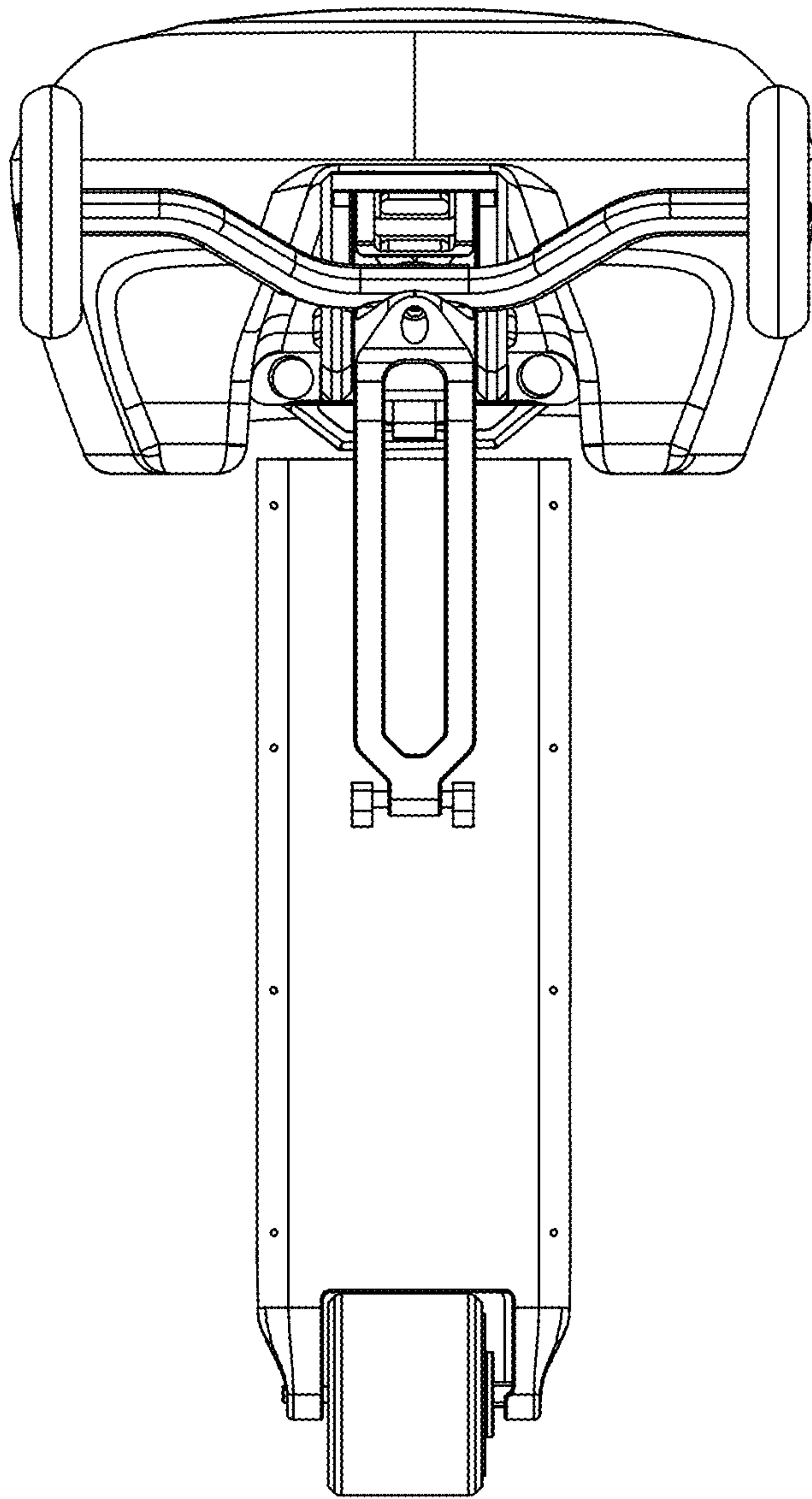


Fig. 30

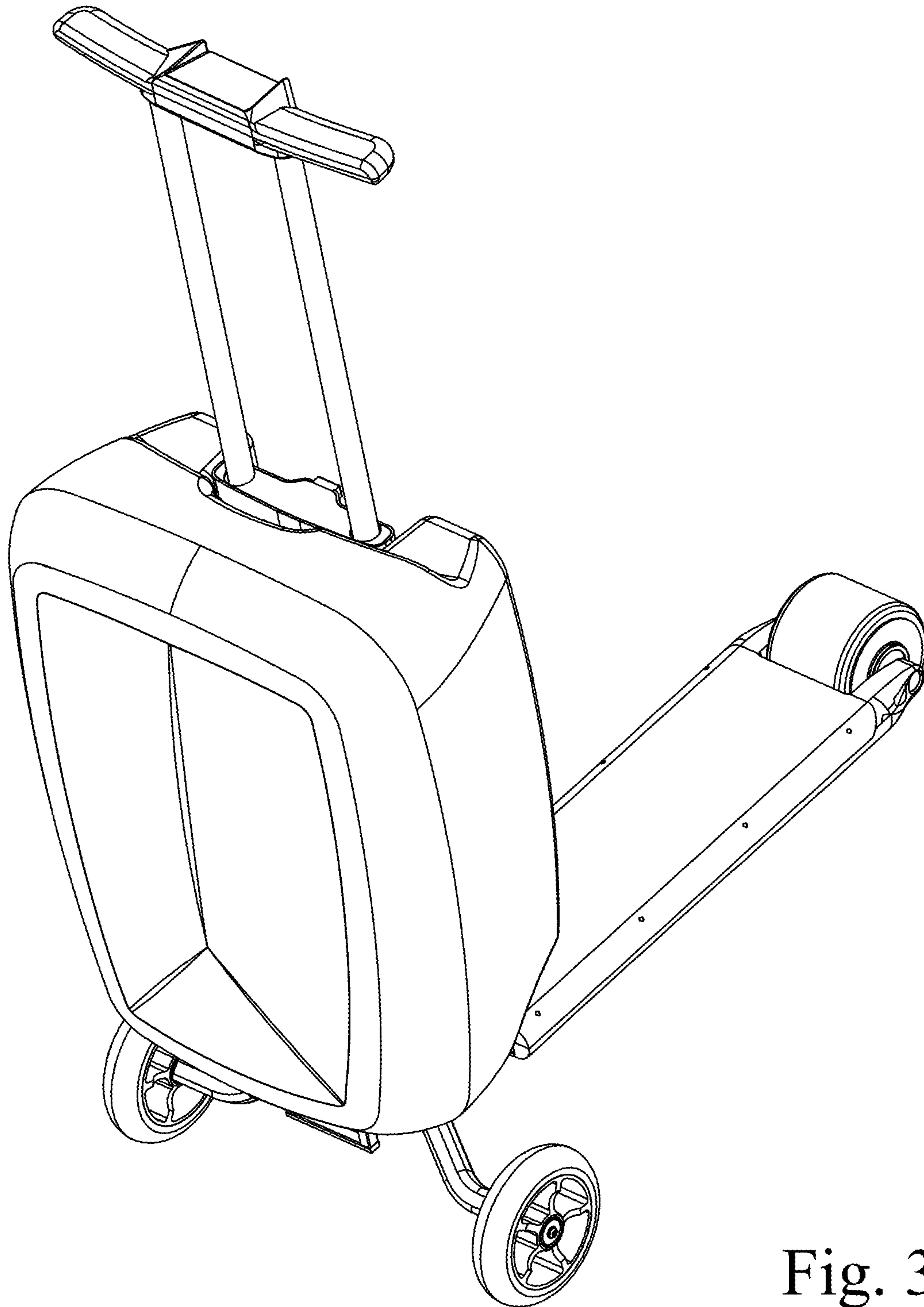


Fig. 31



Fig. 32

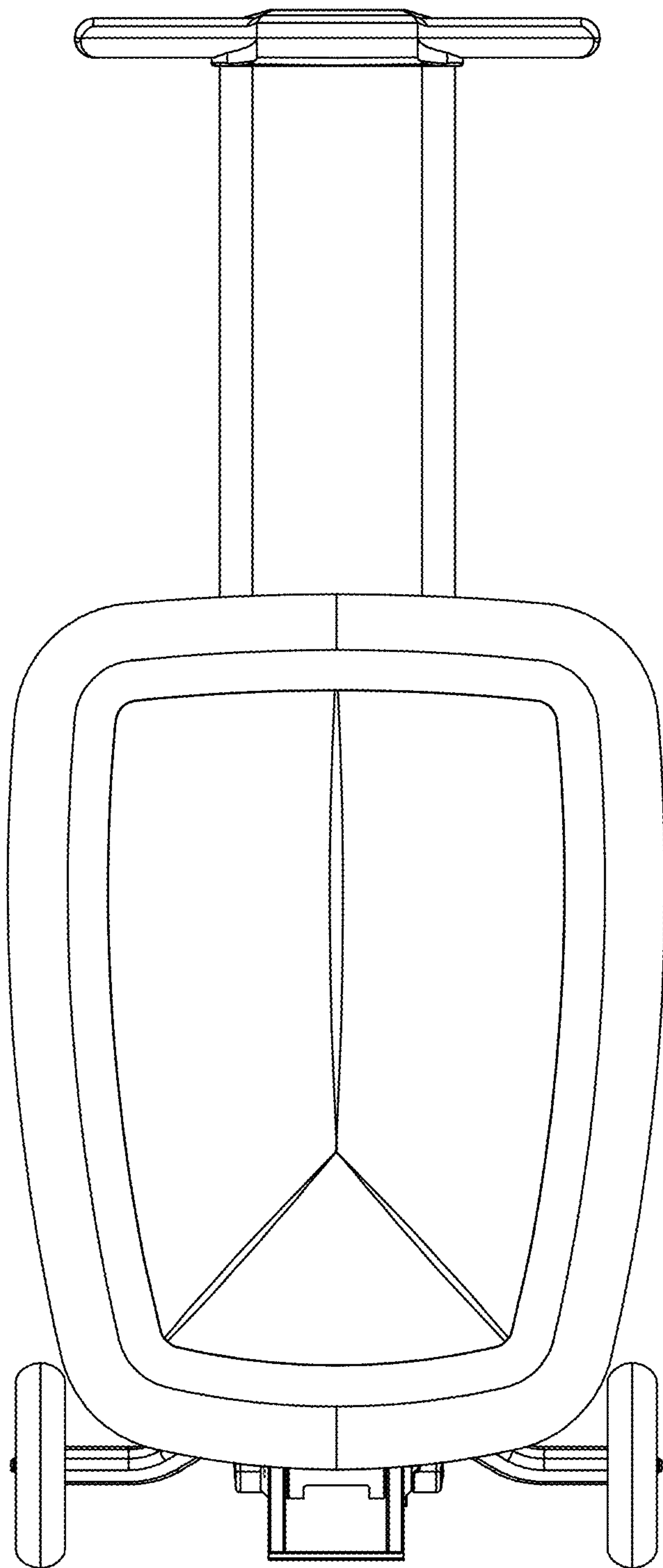


Fig. 33

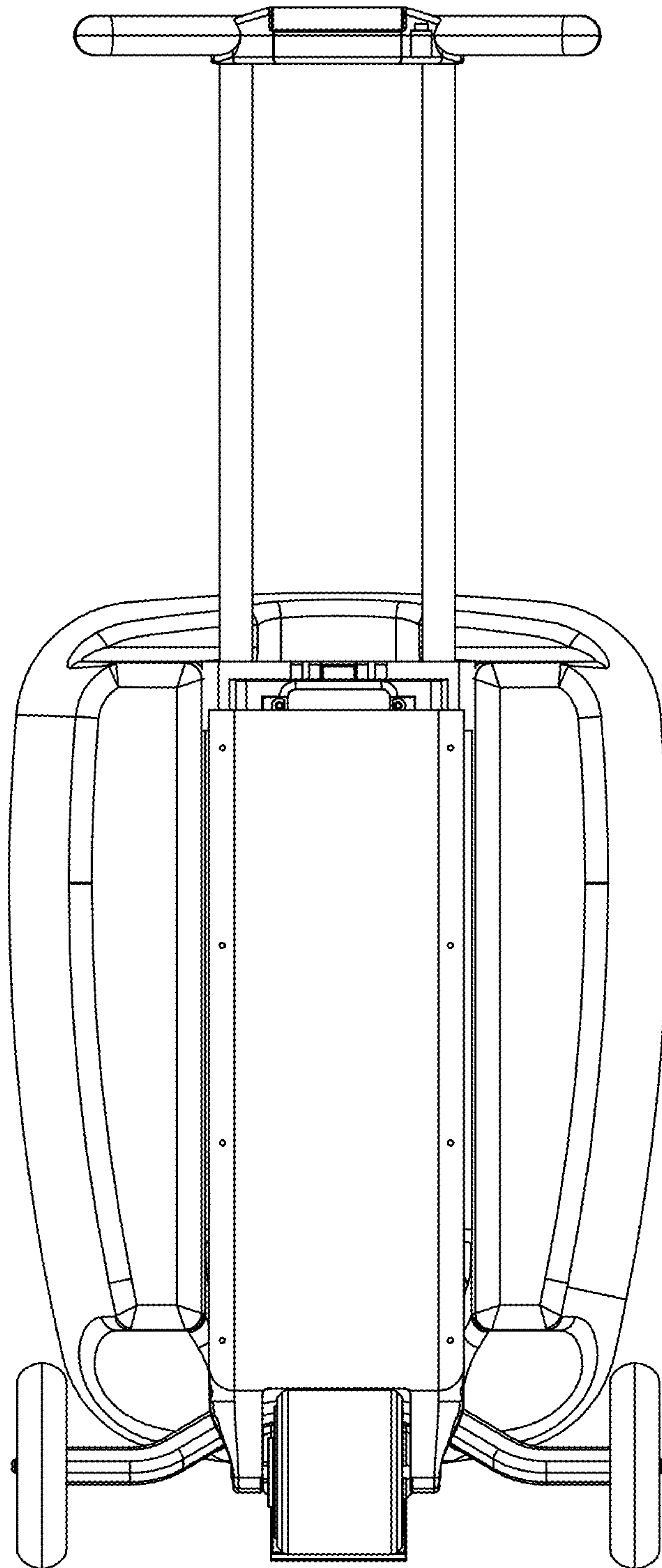


Fig. 34

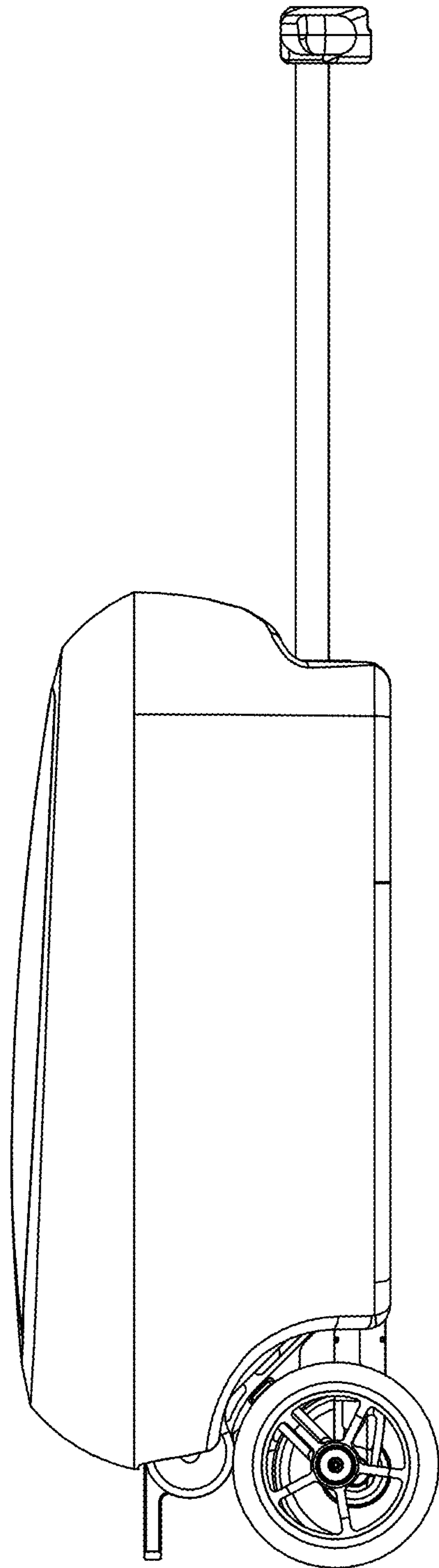


Fig. 35

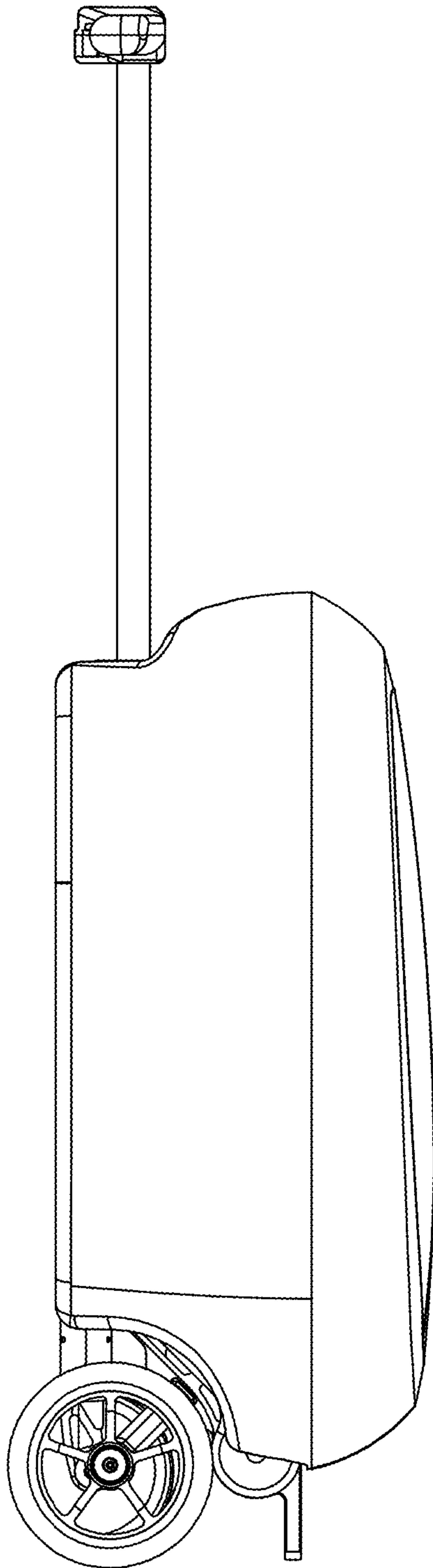


Fig. 36

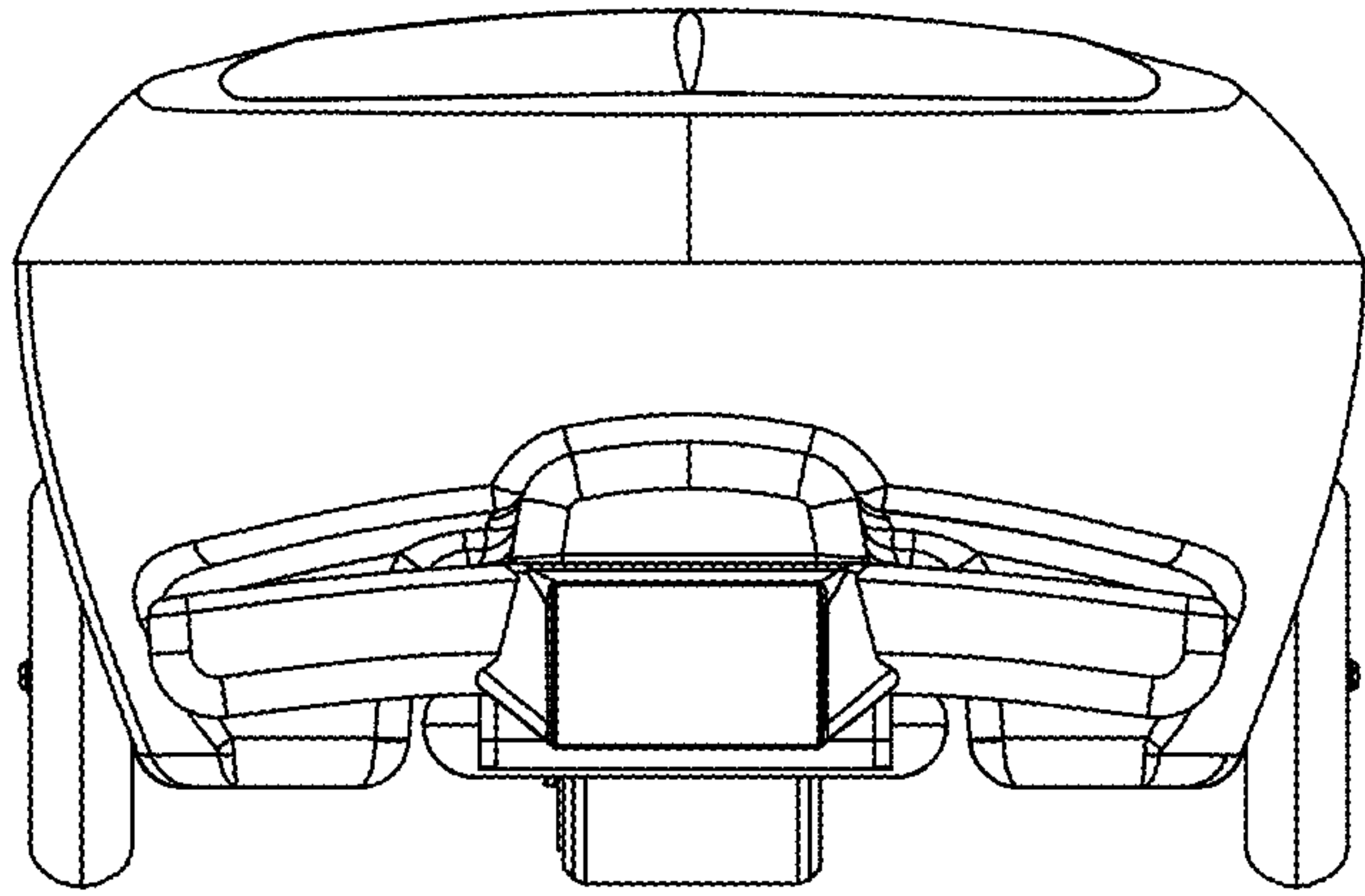


Fig. 37

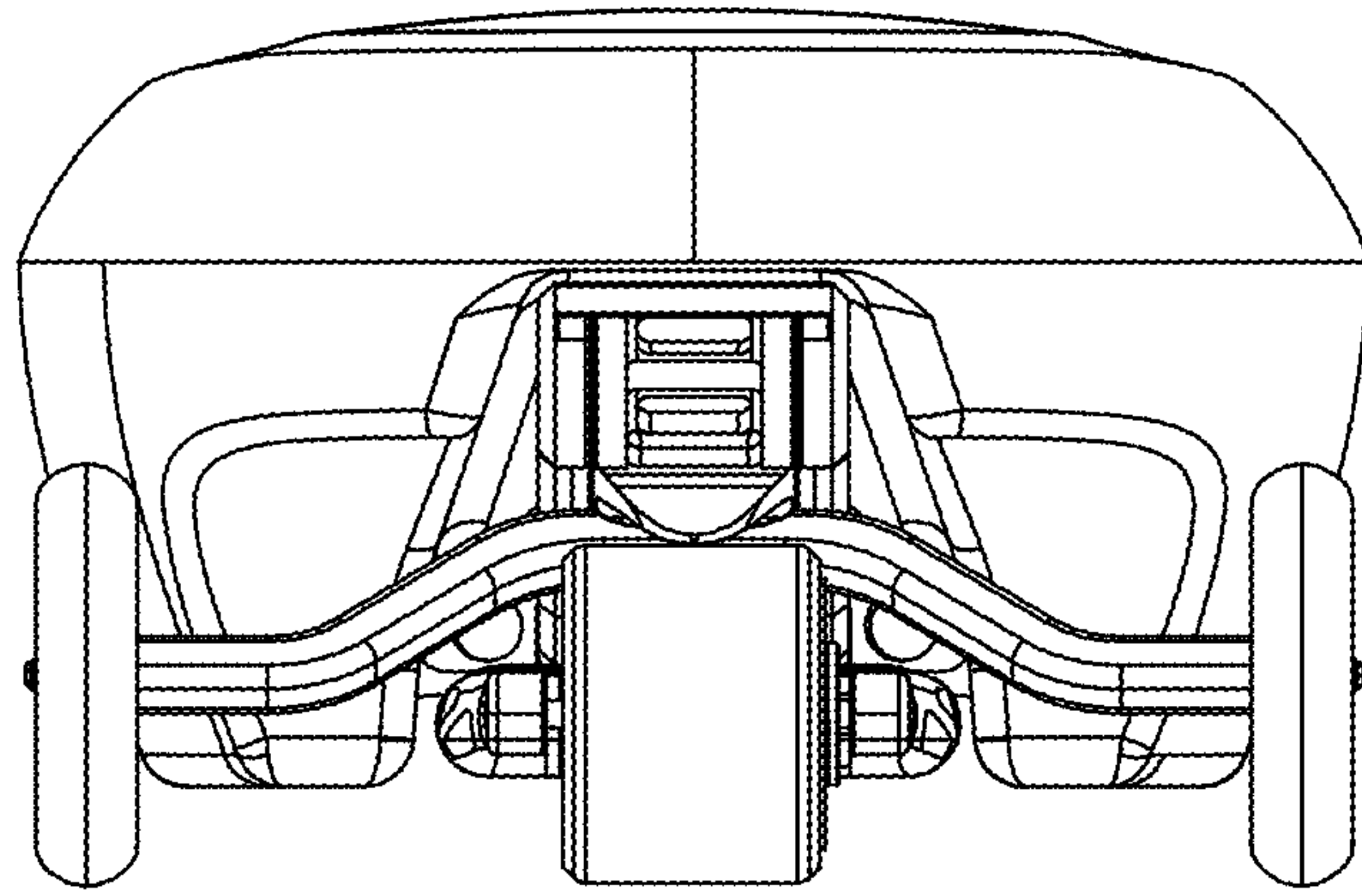


Fig. 38

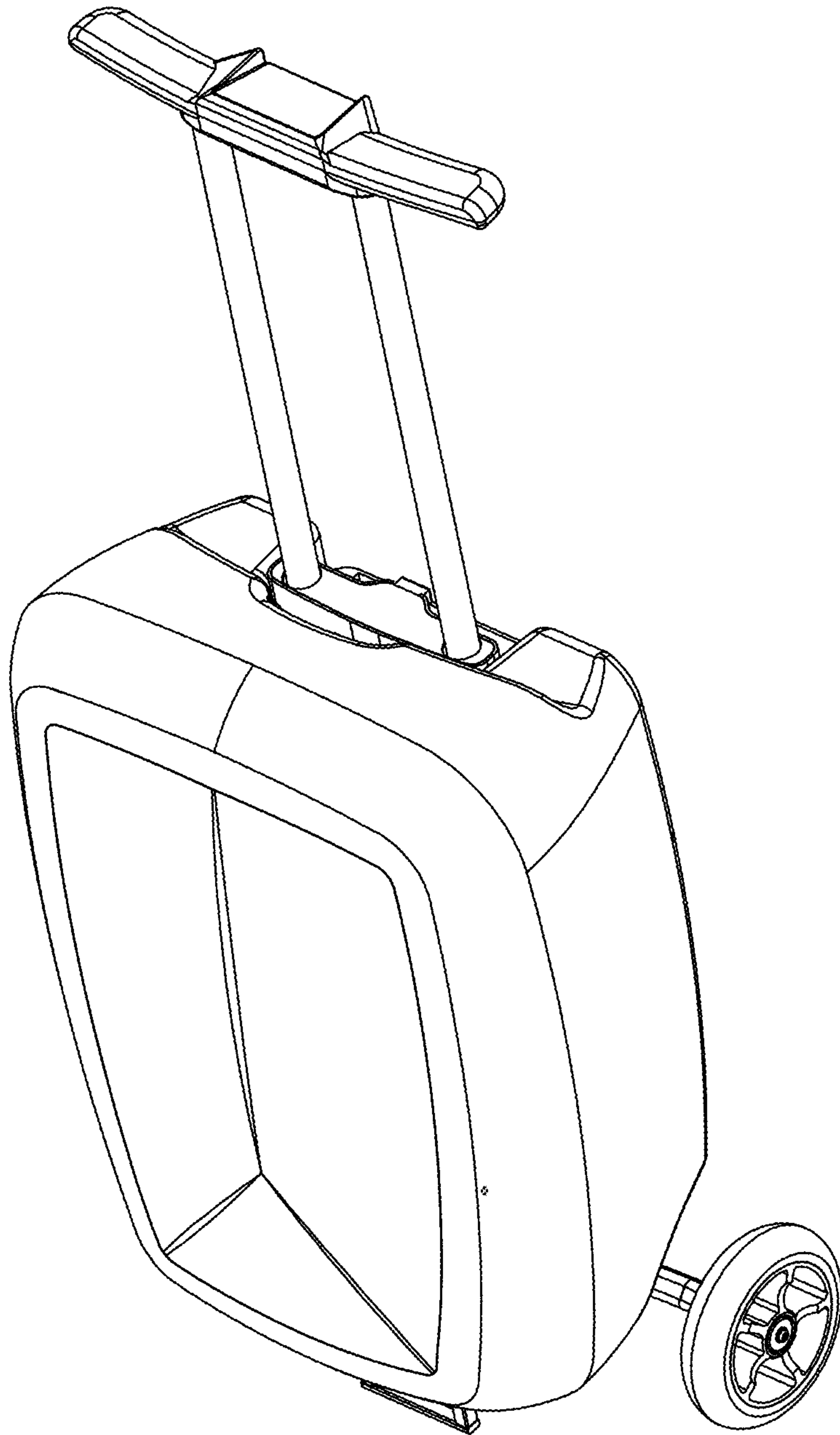


Fig. 39

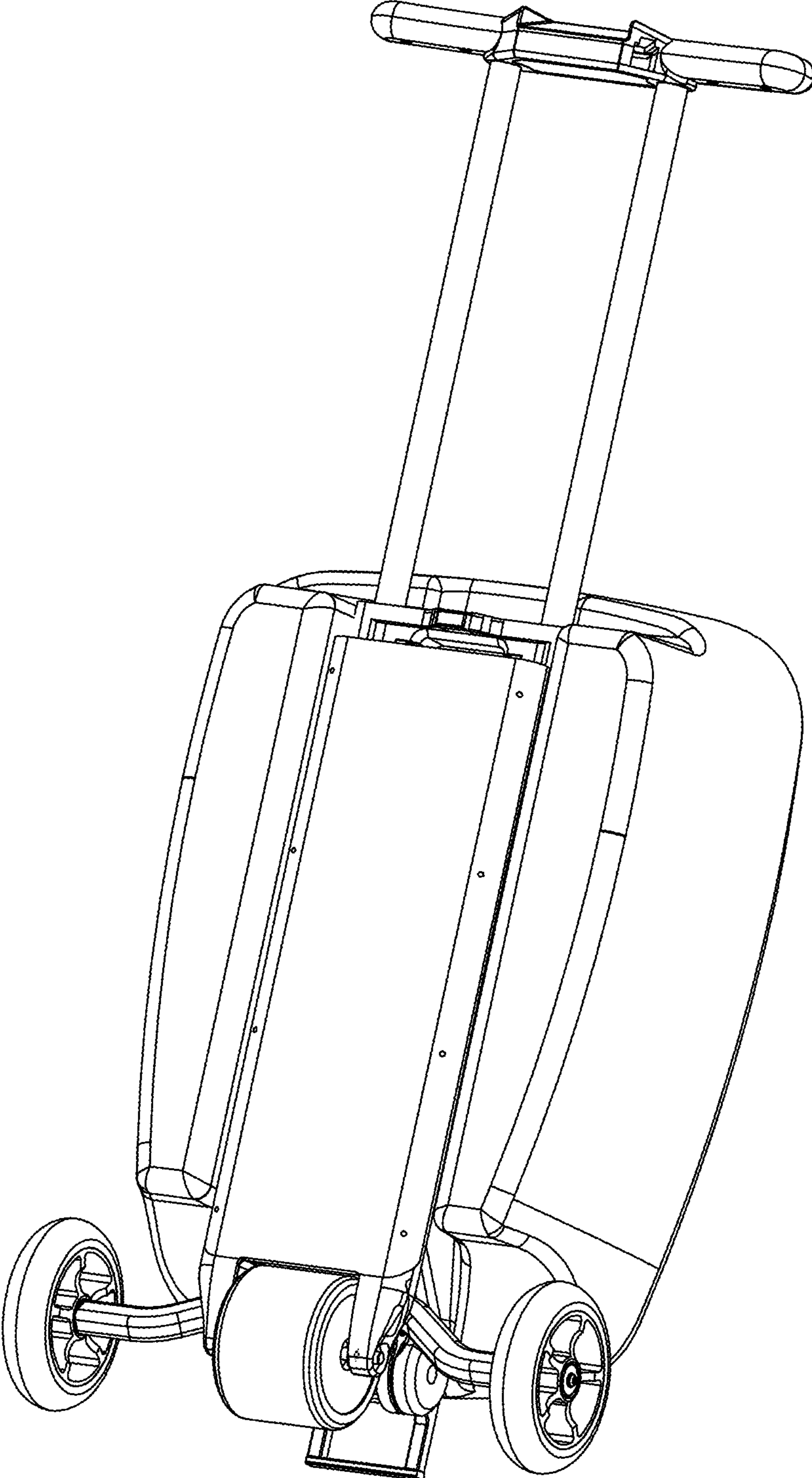


Fig. 40