



US00D872998S

(12) **United States Design Patent**  
**Mueller**

(10) **Patent No.:** **US D872,998 S**

(45) **Date of Patent:** **\*\* Jan. 21, 2020**

(54) **EQUIPMENT UTILITY BOX**

(71) Applicant: **Jerome Mueller**, Richfield, WI (US)

(72) Inventor: **Jerome Mueller**, Richfield, WI (US)

(\*\*) Term: **15 Years**

(21) Appl. No.: **29/650,020**

(22) Filed: **Jun. 4, 2018**

(51) **LOC (12) Cl.** ..... **03-01**

(52) **U.S. Cl.**

USPC ..... **D3/272**; D34/38

(58) **Field of Classification Search**

USPC ..... D3/272, 273, 201, 302; D25/33, 34;  
D34/38; D23/202

CPC ..... B65D 88/26; B65D 88/52; B65D 88/522;  
B65D 88/528; B65D 88/00; B65D  
88/542; B65D 9/12; B65D 11/1873;  
A47B 47/042

See application file for complete search history.

(56) **References Cited**

**U.S. PATENT DOCUMENTS**

|           |    |   |         |           |       |             |
|-----------|----|---|---------|-----------|-------|-------------|
| D264,641  | S  | * | 6/1982  | Evans     | ..... | D3/272      |
| 4,497,145 | A  | * | 2/1985  | Louwenaar | ..... | E04H 15/003 |
|           |    |   |         |           |       | 126/628     |
| D338,329  | S  | * | 8/1993  | Cornwall  | ..... | D3/272      |
| D434,200  | S  | * | 11/2000 | Bowman    | ..... | D34/38      |
| 6,244,063 | B1 | * | 6/2001  | Yates     | ..... | B65D 88/52  |
|           |    |   |         |           |       | 62/259.1    |

|              |    |   |         |          |       |             |
|--------------|----|---|---------|----------|-------|-------------|
| D533,979     | S  | * | 12/2006 | Hawes    | ..... | D34/38      |
| D534,330     | S  | * | 12/2006 | Hawes    | ..... | D34/38      |
| D536,154     | S  | * | 1/2007  | Hawes    | ..... | D34/28      |
| D575,878     | S  | * | 8/2008  | Bartlett | ..... | D25/33      |
| D580,653     | S  | * | 11/2008 | Robaina  | ..... | D3/272      |
| D665,578     | S  | * | 8/2012  | Bousquet | ..... | D3/276      |
| D740,026     | S  | * | 10/2015 | Yamamoto | ..... | D3/297      |
| D771,835     | S  | * | 11/2016 | Bottin   | ..... | D25/33      |
| D785,329     | S  | * | 5/2017  | Yamamoto | ..... | D3/297      |
| D844,830     | S  | * | 4/2019  | Lucht    | ..... | D25/33      |
| D848,739     | S  | * | 5/2019  | Hsu      | ..... | D3/297      |
| 2014/0238979 | A1 | * | 8/2014  | Chen     | ..... | B65D 90/008 |
|              |    |   |         |          |       | 220/1.5     |

\* cited by examiner

*Primary Examiner* — April Rivas

(74) *Attorney, Agent, or Firm* — Jansson Munger  
McKinley & Kirby Ltd.

(57) **CLAIM**

The ornamental design for an equipment utility box, as shown and described.

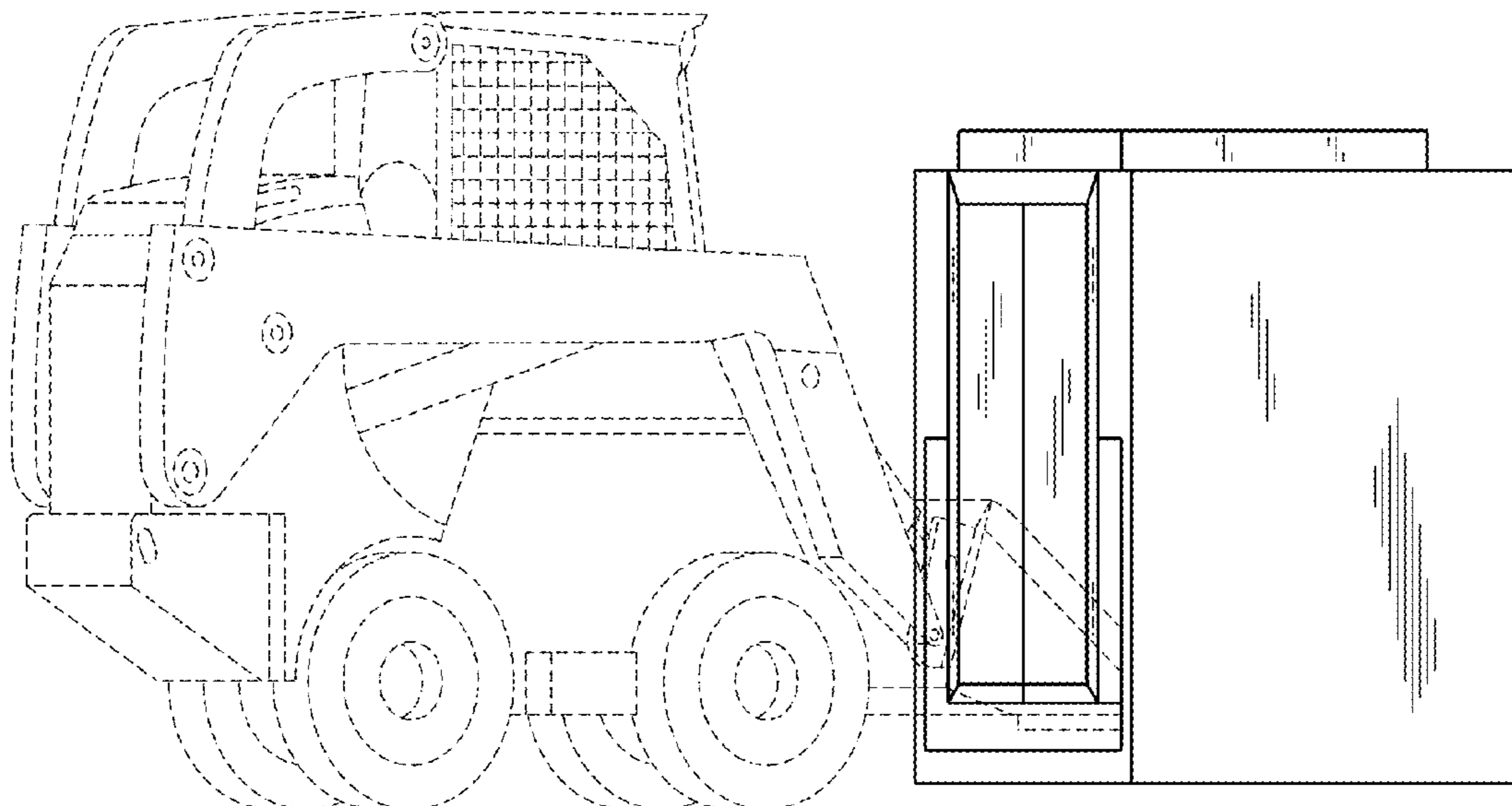
**DESCRIPTION**

FIG. 1 is a front perspective view of an equipment utility box; and,

FIG. 2 is a back perspective view of the equipment utility box of FIG. 1.

The broken lines illustrate environment and form no part of the claimed design.

**1 Claim, 2 Drawing Sheets**



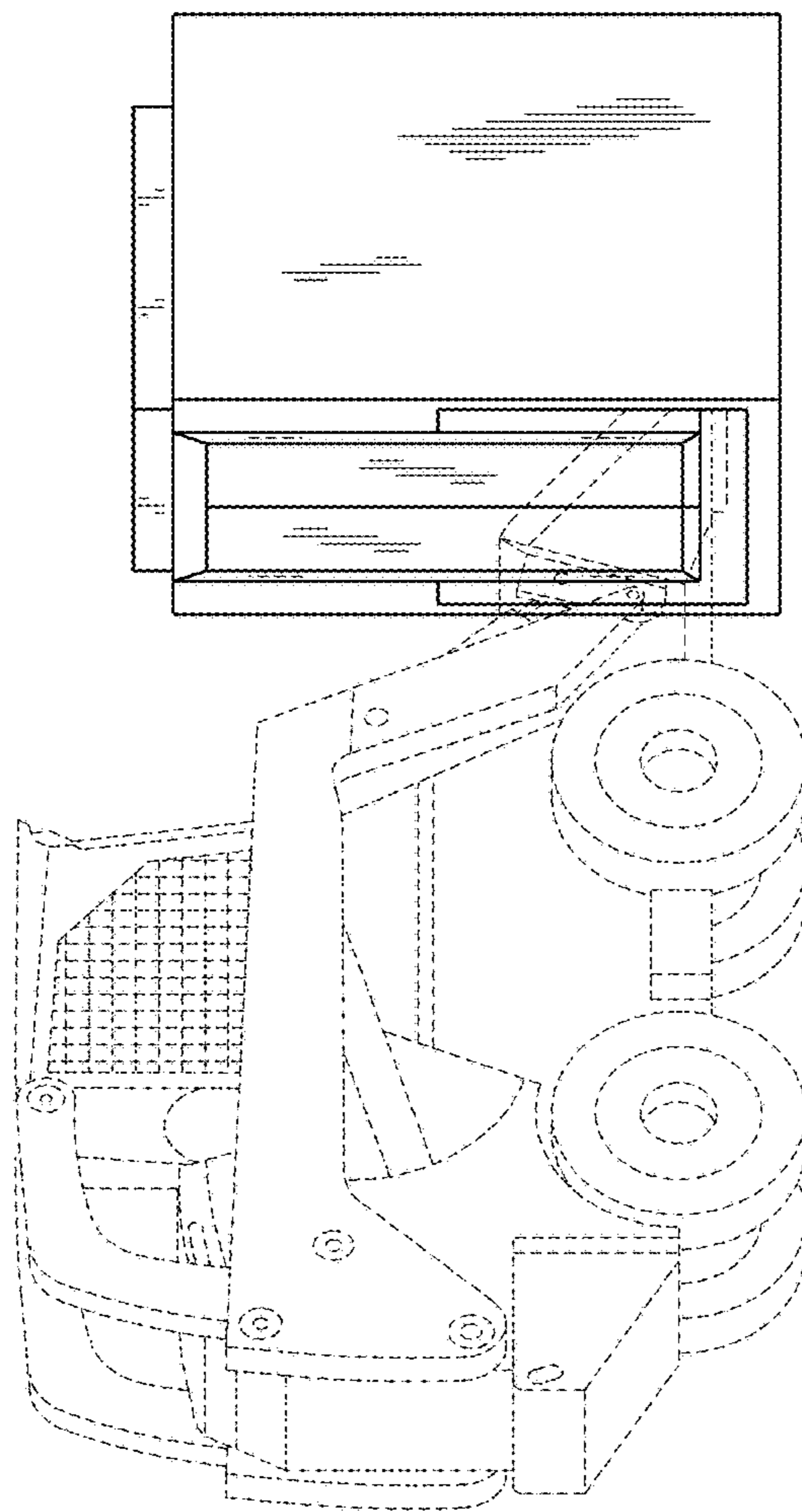


FIG. 1

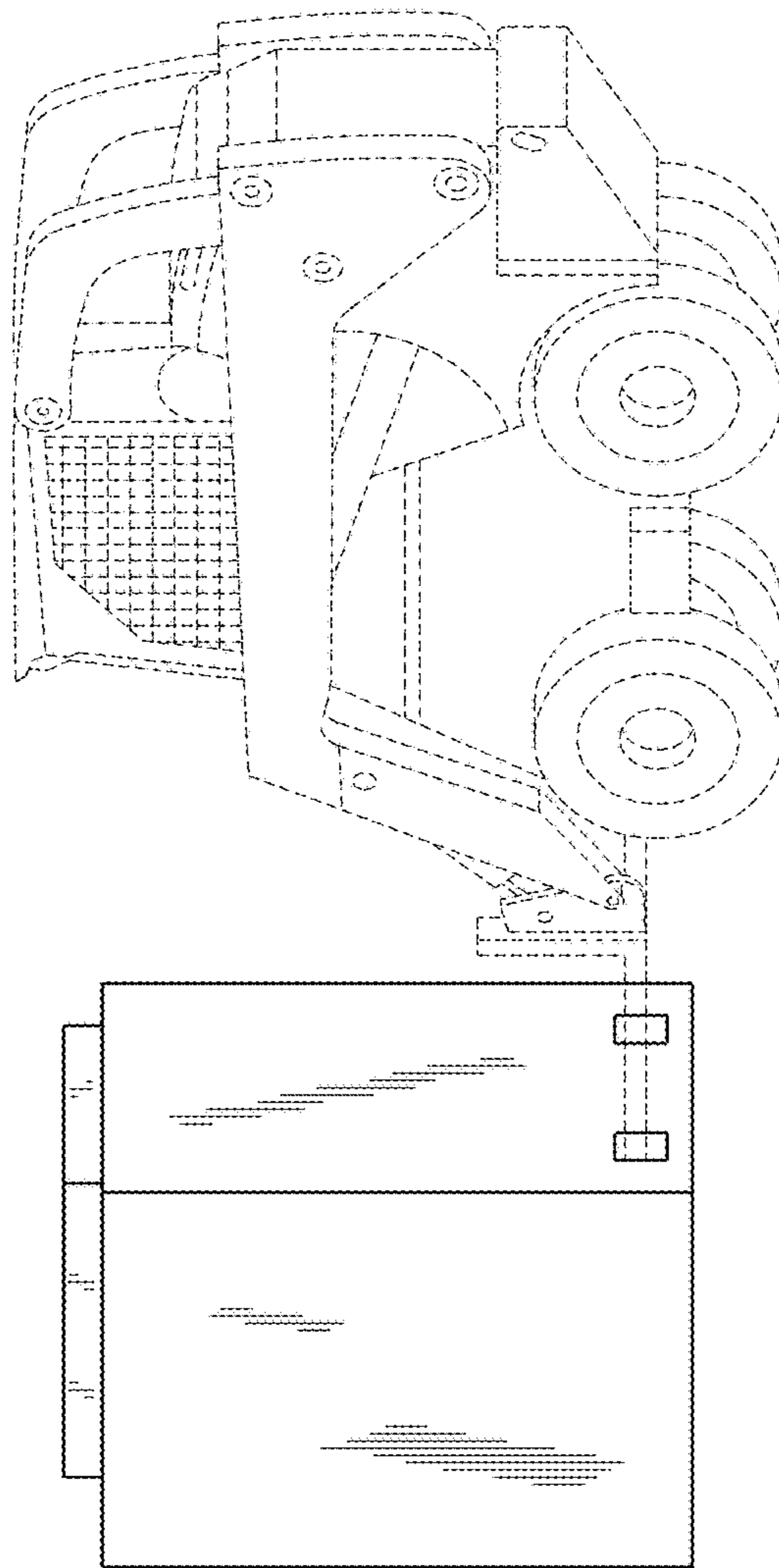


FIG. 2