

US00D872997S

(12) **United States Design Patent** (10) **Patent No.:** **US D872,997 S**
Vollmer et al. (45) **Date of Patent:** **** Jan. 21, 2020**

- (54) **PLATE BANDED CONTAINER**
- (71) Applicants: **Eric Vollmer**, Springdale, AR (US);
Christopher DeMoss, Springdale, AR (US)
- (72) Inventors: **Eric Vollmer**, Springdale, AR (US);
Christopher DeMoss, Springdale, AR (US)

D370,780 S *	6/1996	Bunger	D3/272
D546,023 S *	7/2007	Hawes	D34/28
D764,796 S *	8/2016	Urrea	D3/272
D802,301 S *	11/2017	Vollmer	D3/272
D802,302 S *	11/2017	Vollmer	D3/272
D837,513 S *	1/2019	Makela	D3/273
D844,830 S *	4/2019	Lucht	D25/33
2003/0150769 A1 *	8/2003	Lau	B65D 88/005 206/600
2015/0053691 A1 *	2/2015	Sanger	B65D 19/44 220/544

(**) Term: **15 Years**

* cited by examiner

(21) Appl. No.: **29/648,884**

Primary Examiner — April Rivas

(22) Filed: **May 24, 2018**

(74) *Attorney, Agent, or Firm* — Keisling & Pieper PLC;
David B. Pieper

Related U.S. Application Data

(63) Continuation-in-part of application No. 29/551,148,
filed on Jan. 11, 2016, now abandoned.

(51) **LOC (12) Cl.** **03-01**

(52) **U.S. Cl.**

USPC **D3/272**

(58) **Field of Classification Search**

USPC D3/272, 273, 201, 302; D25/33, 34;
D34/38; D23/202

CPC B65D 88/26; B65D 88/52; B65D 88/522;
B65D 88/528; B65D 88/00; B65D
88/542; B65D 9/12; B65D 11/1873;
A47B 47/042

See application file for complete search history.

(56) **References Cited**

U.S. PATENT DOCUMENTS

D213,156 S *	1/1969	Pierre	D12/14
D264,641 S *	6/1982	Evans	D3/272
D336,158 S *	6/1993	Bunger	D3/201

(57) **CLAIM**

The ornamental design for a plate banded container, as shown and described.

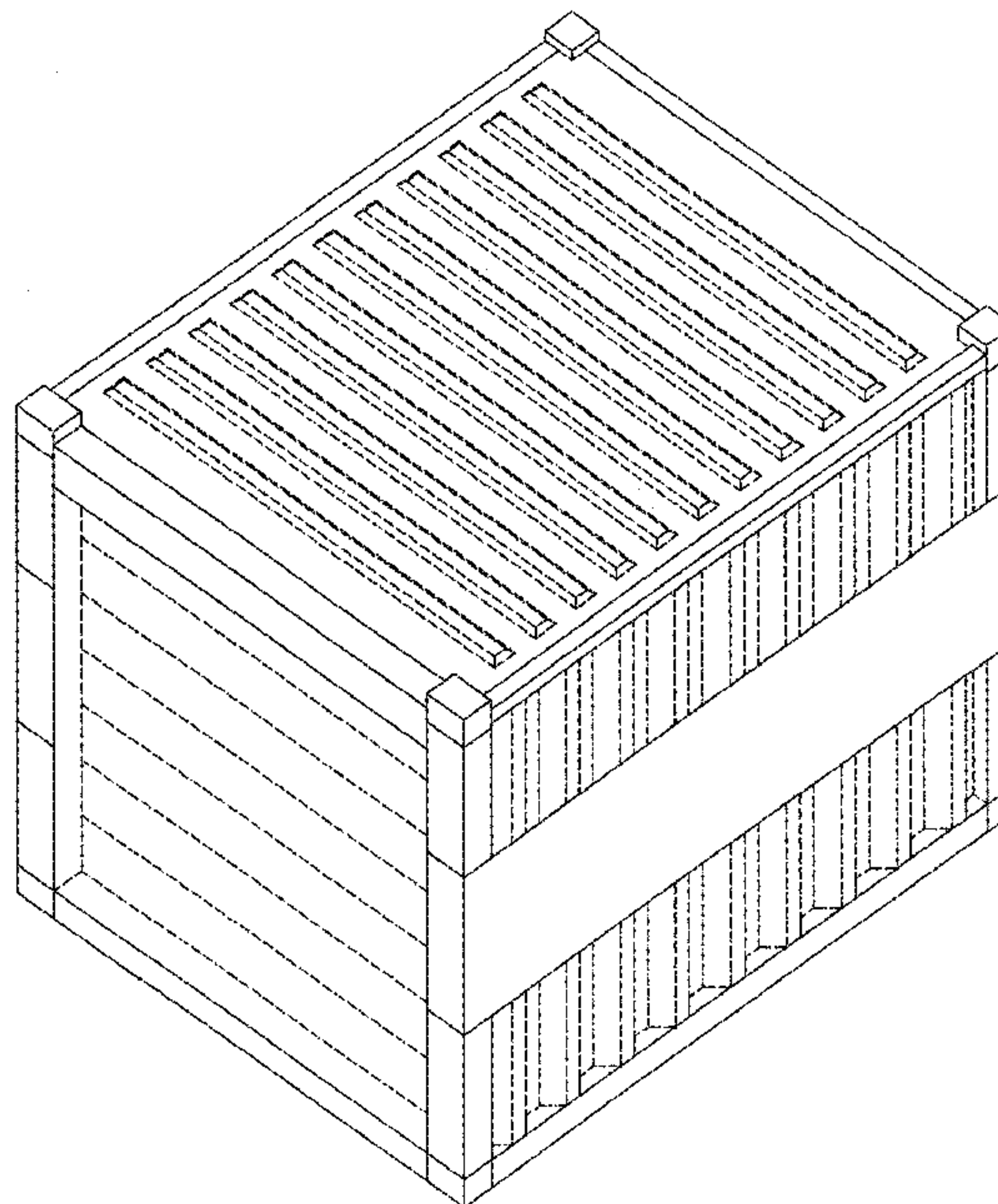
DESCRIPTION

FIG. 1 is a perspective view of a plate banded container showing my new design;
FIG. 2 is another perspective view thereof;
FIG. 3 is a top view thereof;
FIG. 4 is a front view thereof; and,
FIG. 5 is a right side view thereof;
FIG. 6 is a back view thereof;
FIG. 7 is a right side view thereof; and,
FIG. 8 is a bottom view thereof.

The broken lines showing the end door are and corrugating are for the purpose of illustrating environmental structure and form no part of the claimed design.

The bottom face of the container disclosed in FIG. 7 is flat and continuous.

1 Claim, 8 Drawing Sheets



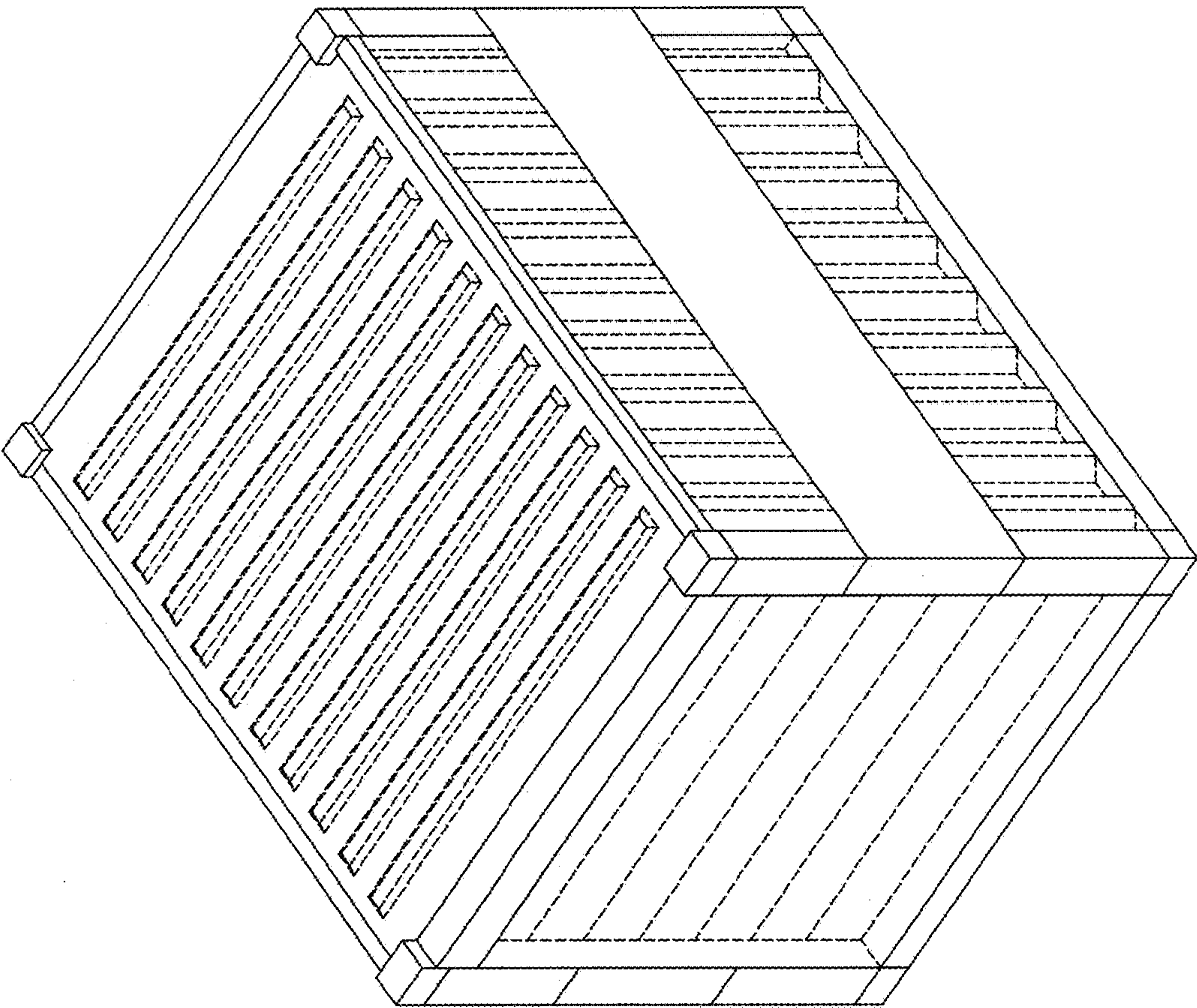


FIG. 1

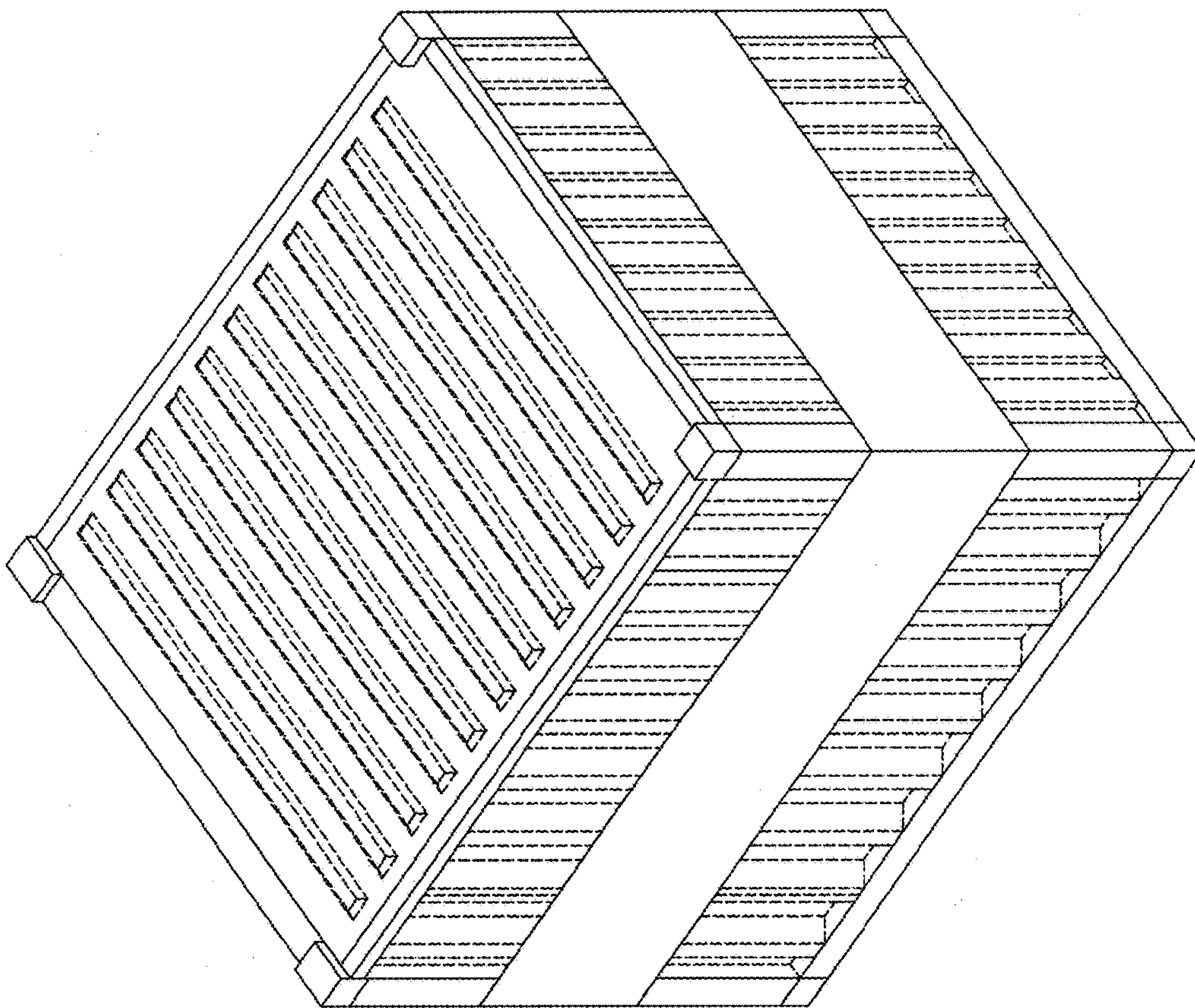


FIG. 2

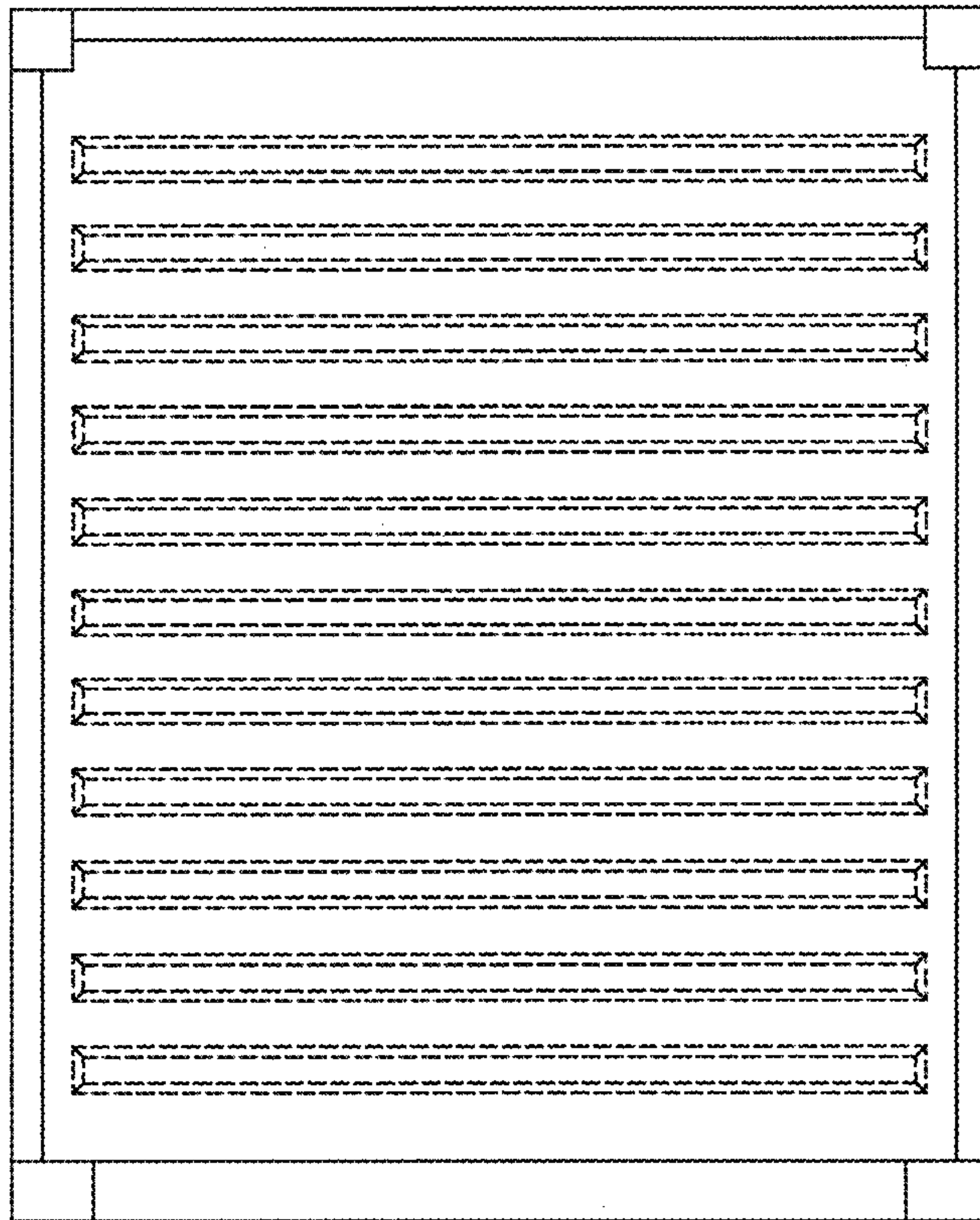


FIG. 3

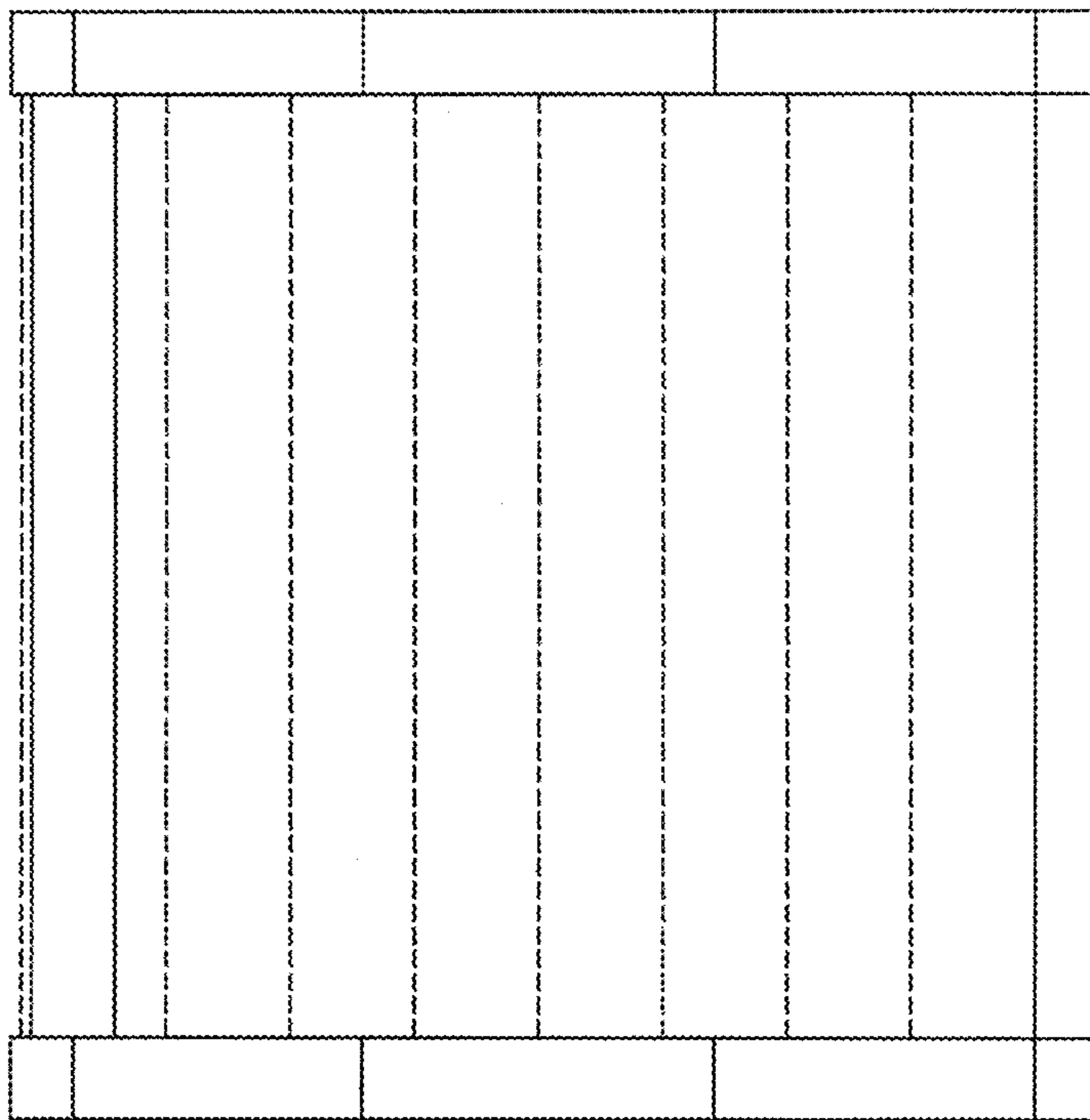


FIG. 4

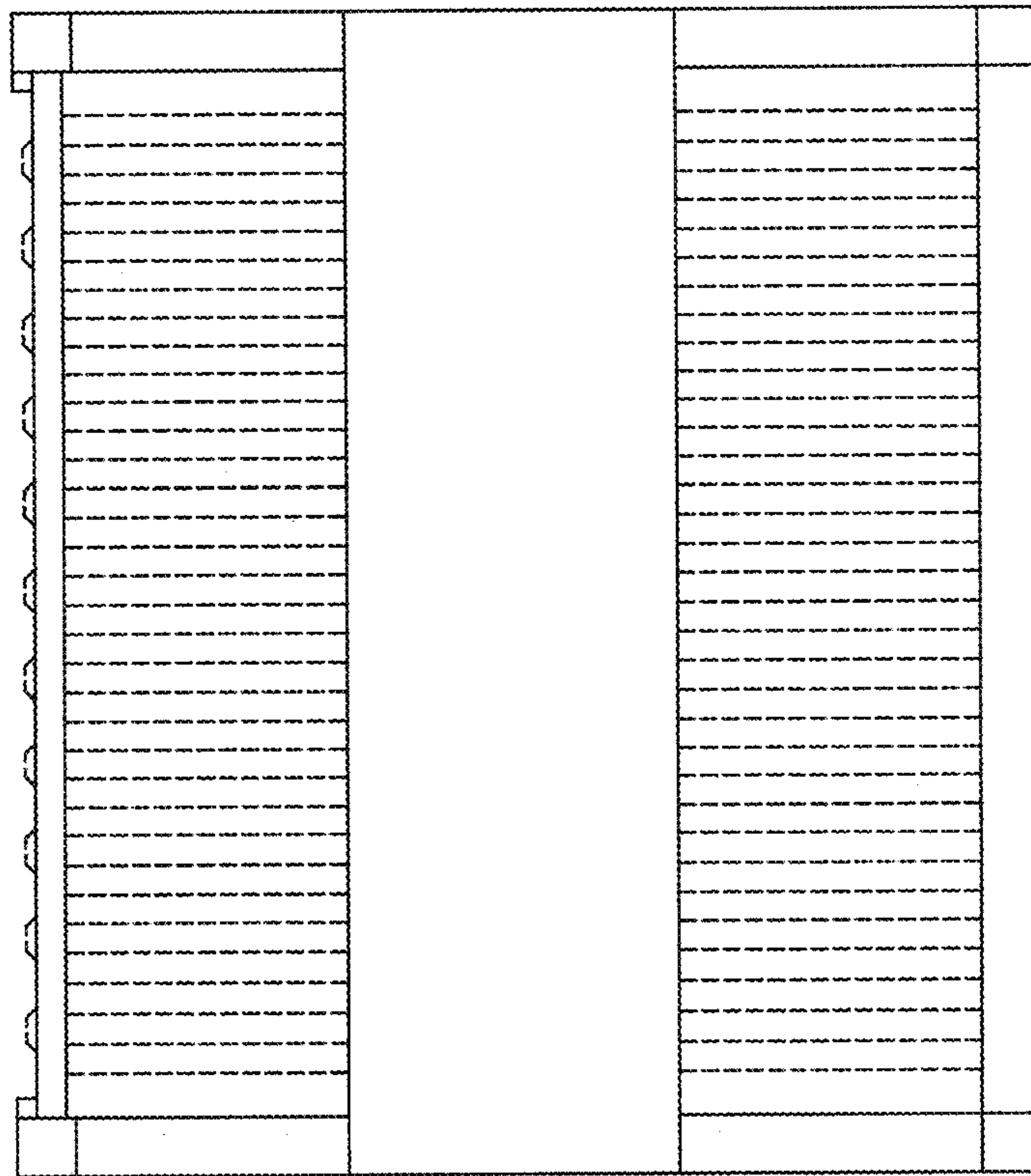


FIG. 5

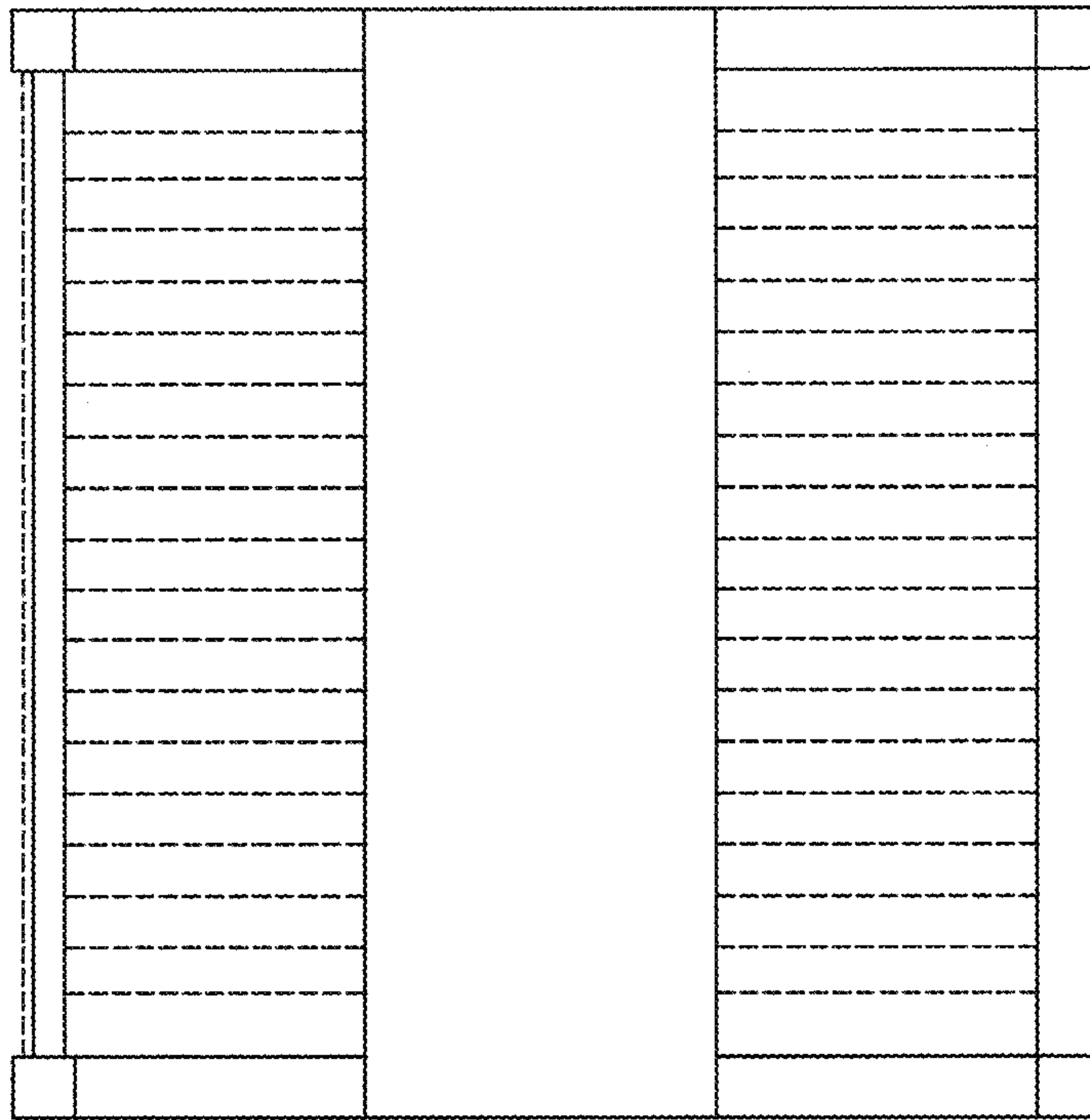


Fig. 6

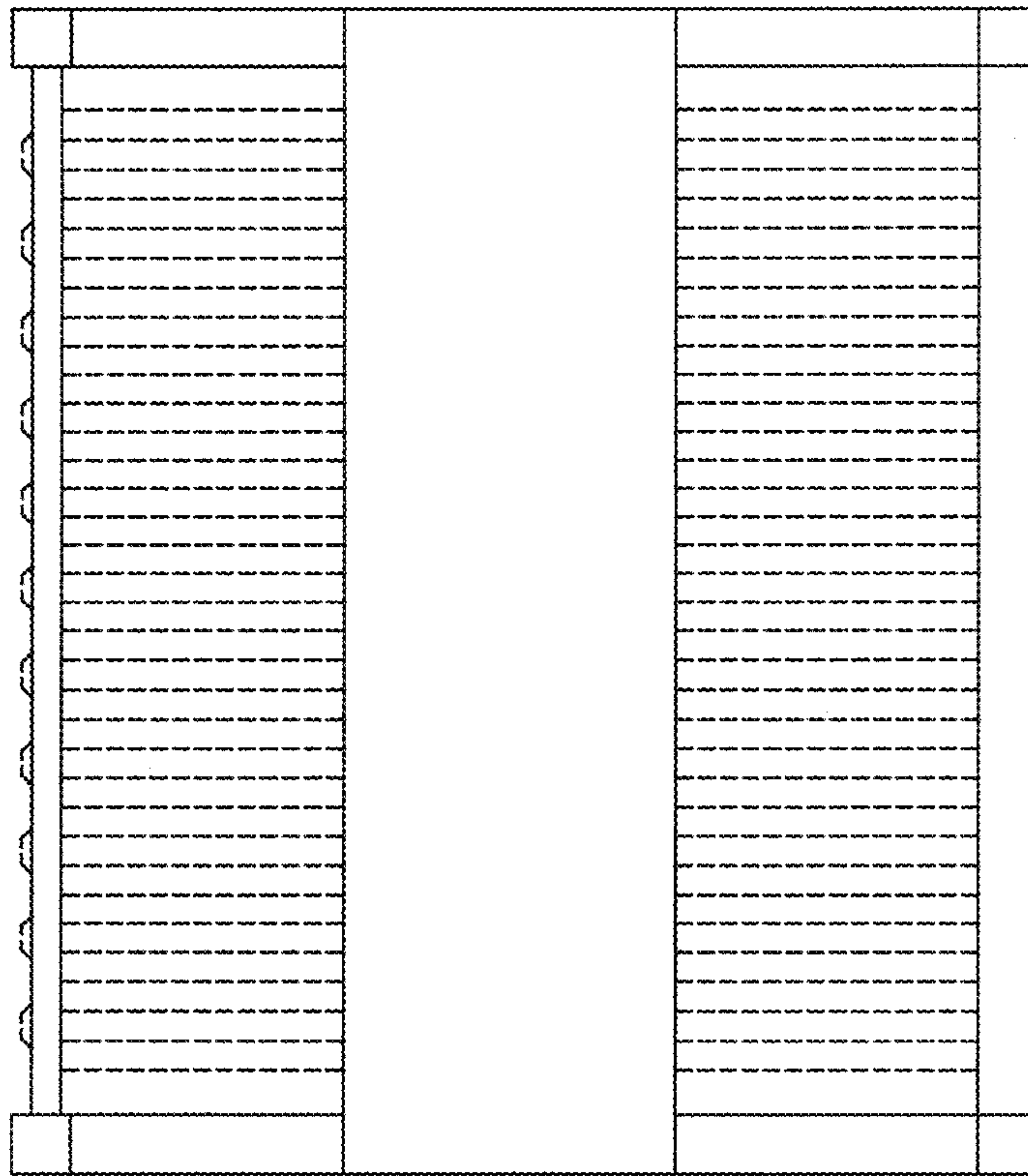


FIG. 7



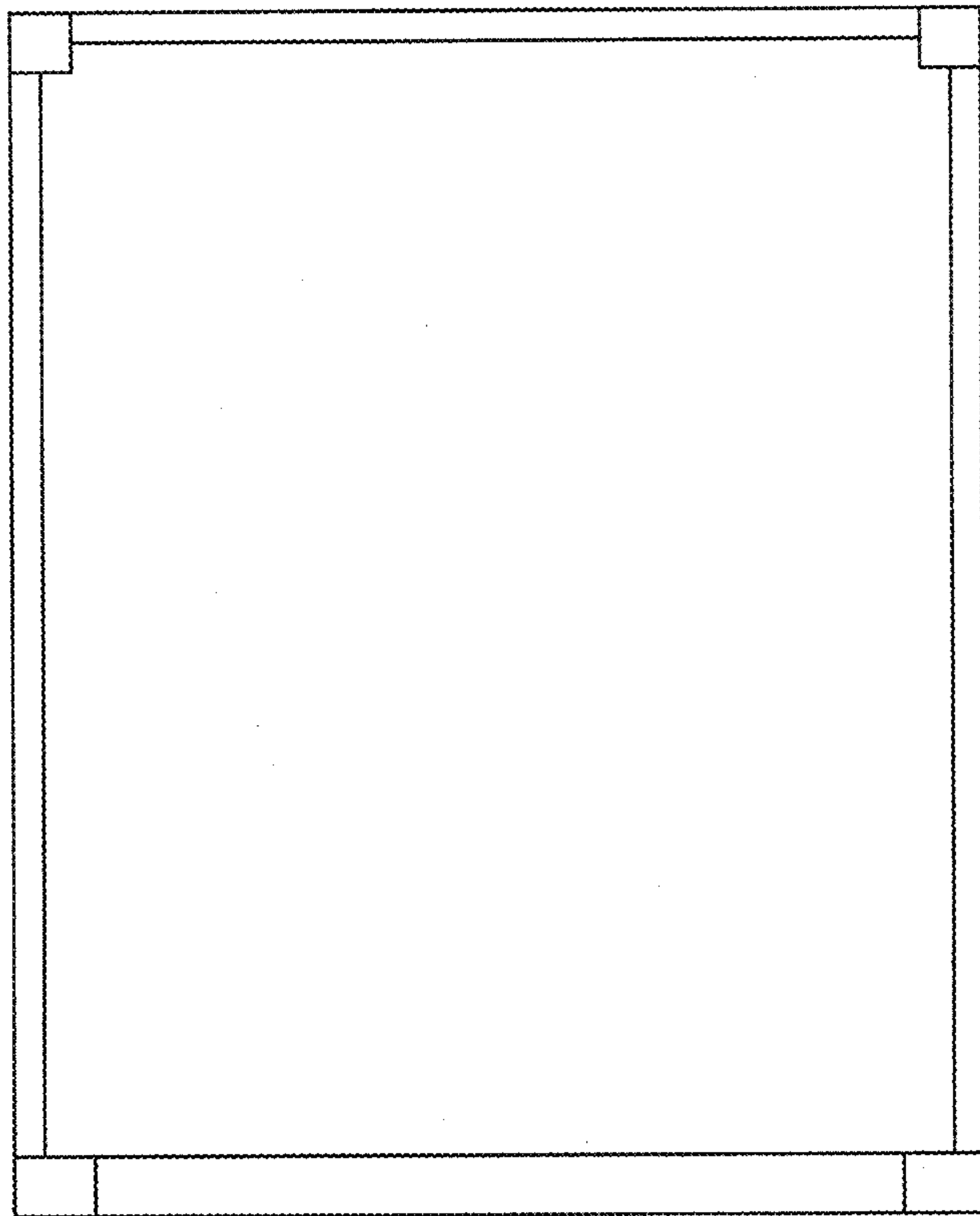


FIG. 8