



US00D872994S

(12) **United States Design Patent**  
**Chen**

(10) **Patent No.:** **US D872,994 S**  
(45) **Date of Patent:** **\*\* Jan. 21, 2020**

(54) **WALLET**

(71) Applicant: **Guangzhou Siwang Lai Electronic Technology Co., Ltd., Guangzhou (CN)**

(72) Inventor: **Yanxiang Chen, Guangzhou (CN)**

(\*\*) Term: **15 Years**

(21) Appl. No.: **29/705,914**

(22) Filed: **Sep. 17, 2019**

(51) **LOC (12) Cl.** ..... **03-01**

(52) **U.S. Cl.**  
USPC ..... **D3/247**

(58) **Field of Classification Search**  
USPC ..... D3/232–233, 240–243, 245–246  
CPC ..... A45C 1/06; A45C 3/08  
See application file for complete search history.

(56) **References Cited**

**U.S. PATENT DOCUMENTS**

- D175,071 S \* 7/1955 Griffith ..... D3/250
- 3,659,640 A \* 5/1972 Fenster ..... A45C 1/06  
150/147
- 5,423,363 A \* 6/1995 Matzdorff ..... A45C 1/06  
150/143

- D384,499 S 10/1997 Gaestel
- D443,414 S 6/2001 Schimmel
- D647,697 S \* 11/2011 Littleton ..... D3/249
- D694,009 S \* 11/2013 D'Amore ..... D3/249
- D695,011 S \* 12/2013 Morszeck ..... D3/247
- D703,433 S \* 4/2014 Morszeck ..... D3/247
- D825,181 S \* 8/2018 Jin ..... D3/247
- D836,336 S \* 12/2018 Serman ..... D3/247
- D843,719 S \* 3/2019 Constance ..... D3/249

\* cited by examiner

*Primary Examiner* — Holly H Baynham  
(74) *Attorney, Agent, or Firm* — W&K IP

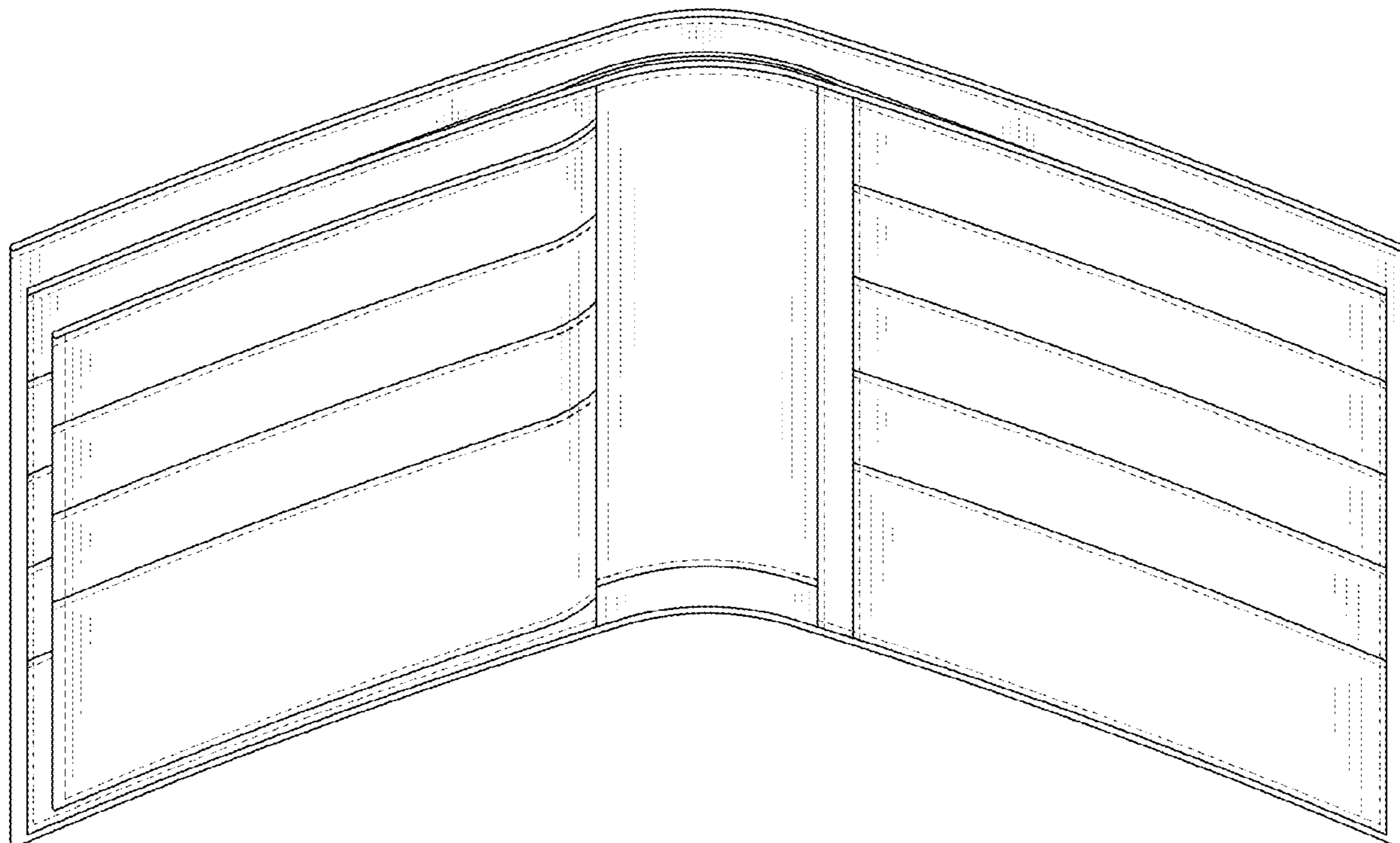
(57) **CLAIM**

The ornamental design for a wallet, as shown and described.

**DESCRIPTION**

FIG. 1 is a perspective view of a wallet;  
FIG. 2 is another perspective view thereof;  
FIG. 3 is a front elevational view thereof;  
FIG. 4 is a rear elevational view thereof;  
FIG. 5 is a left elevational view thereof;  
FIG. 6 is a right elevational view thereof;  
FIG. 7 is a top plan view thereof; and,  
FIG. 8 is a bottom plan view thereof.  
The broken lines in the drawings are for the purpose of illustrating portions of the wallet hat form no part of the claimed design.

**1 Claim, 8 Drawing Sheets**



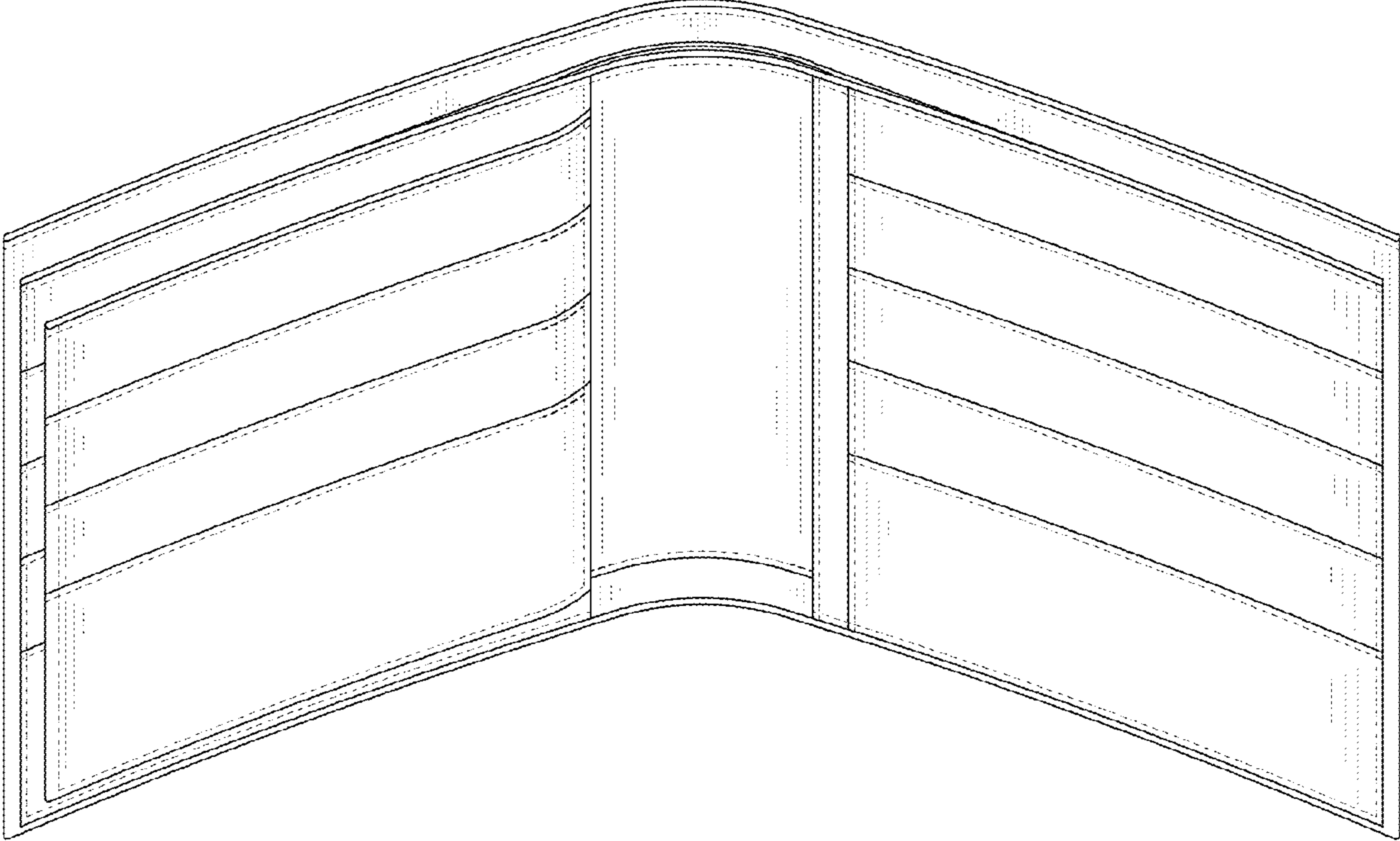


FIG.1

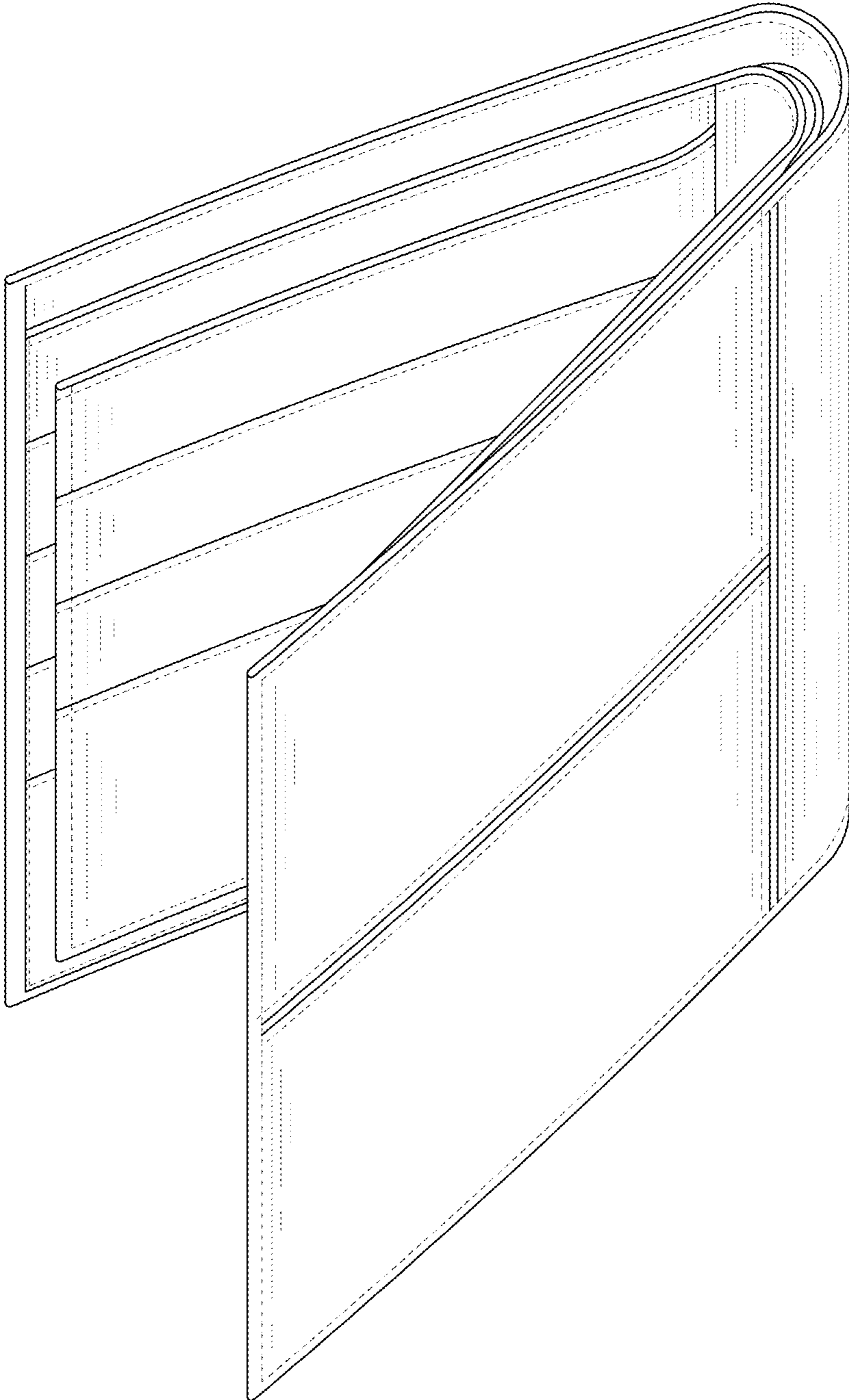


FIG. 2

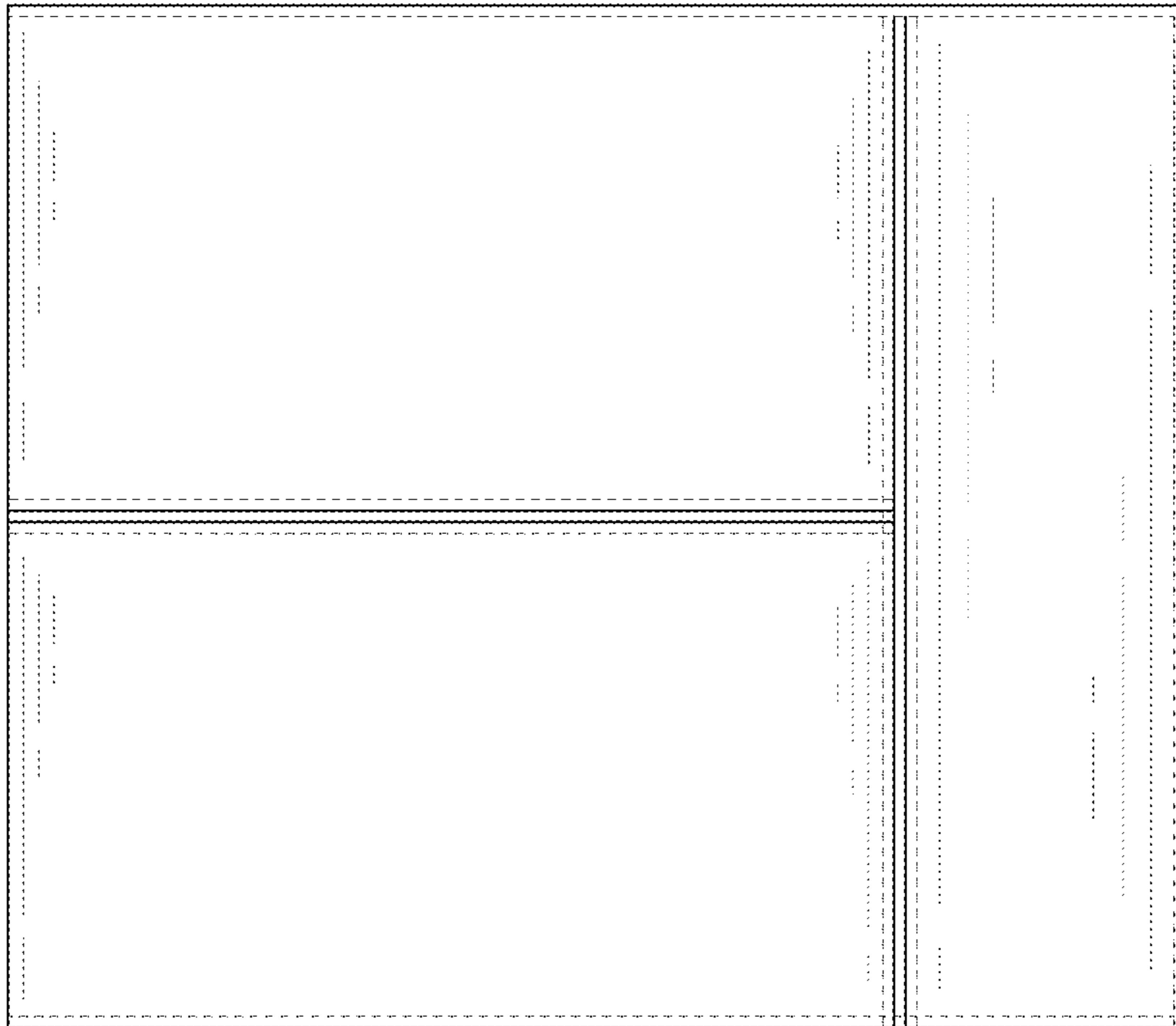


FIG. 3

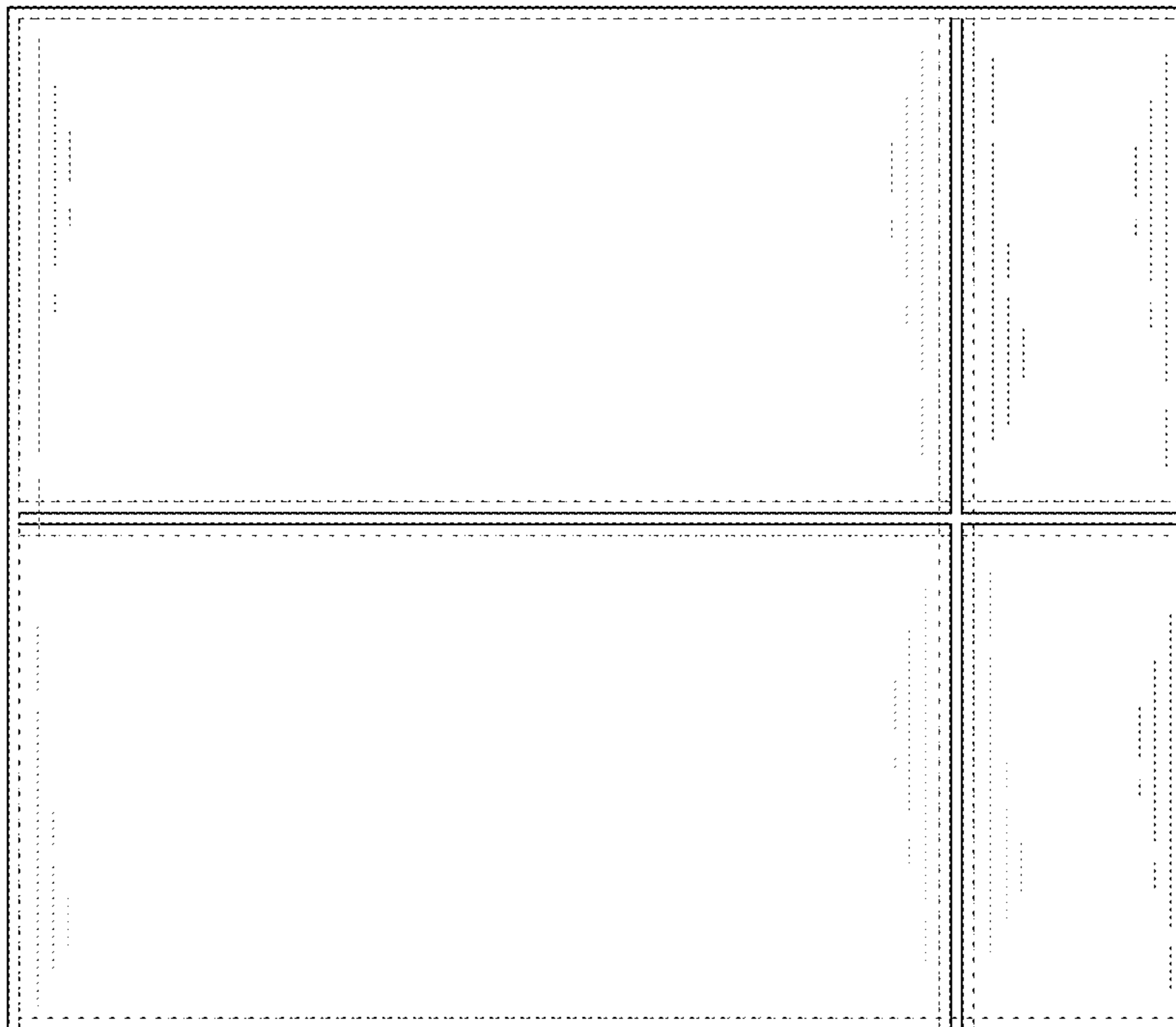


FIG. 4

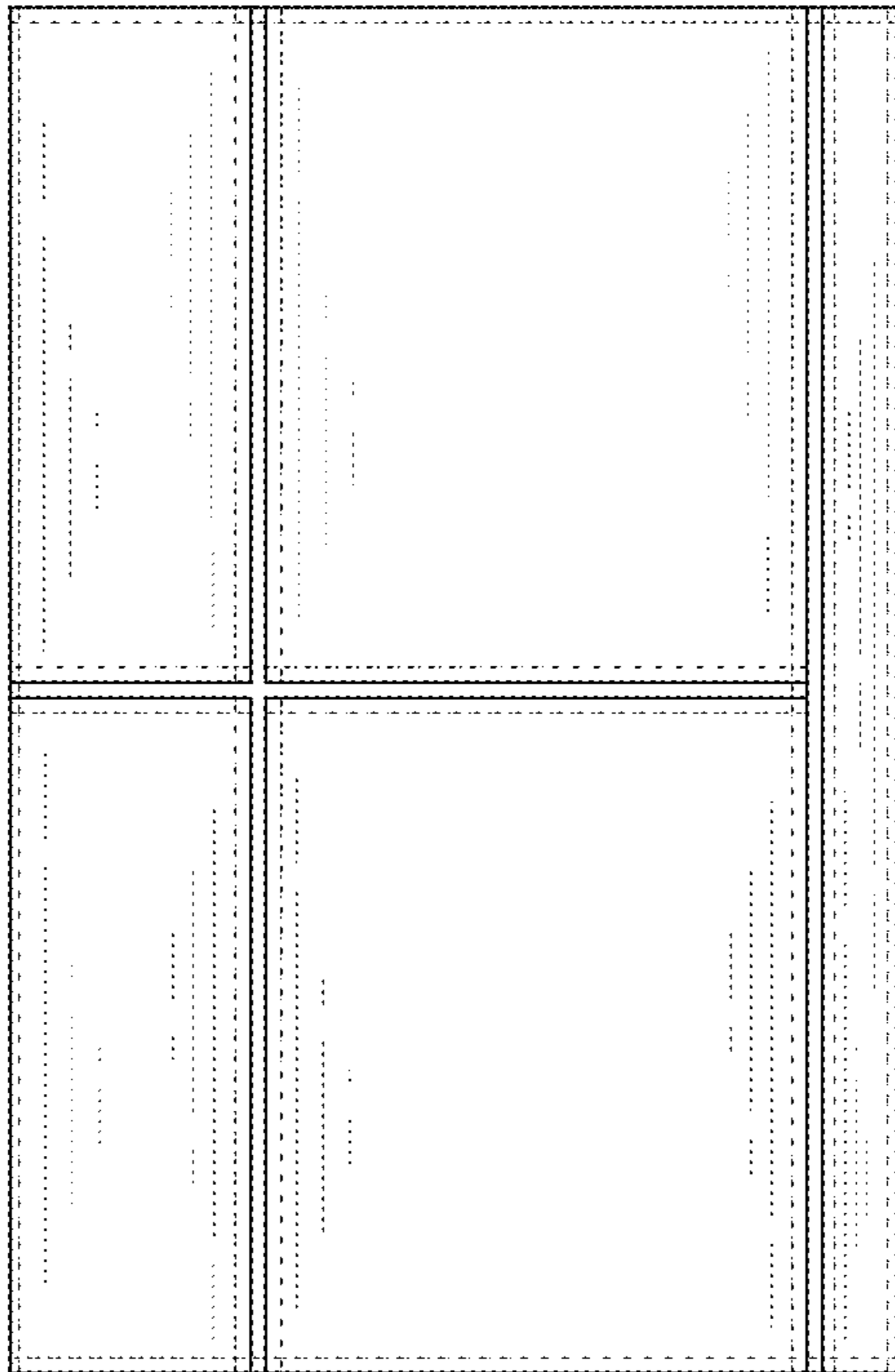


FIG. 5

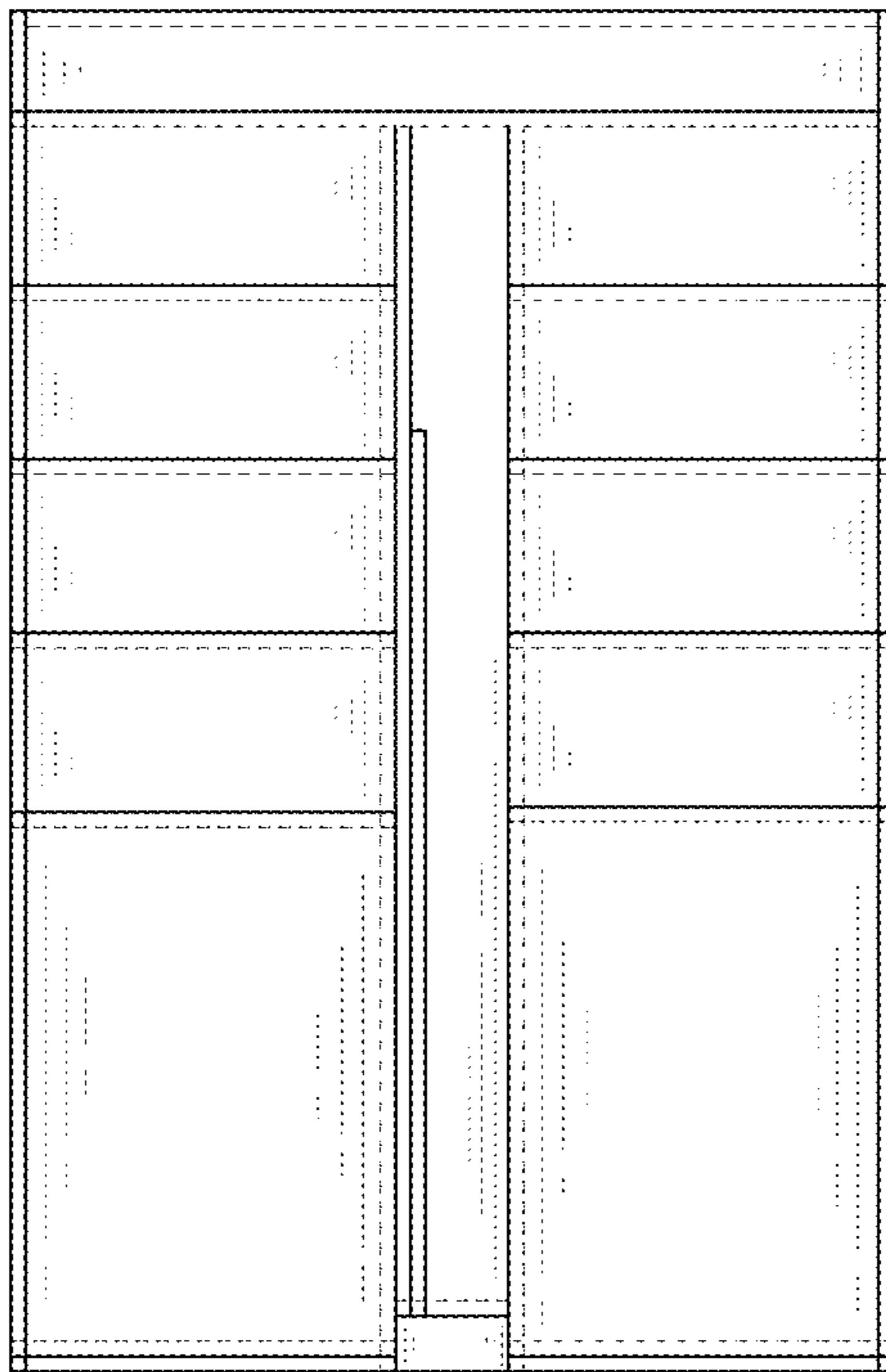


FIG. 6

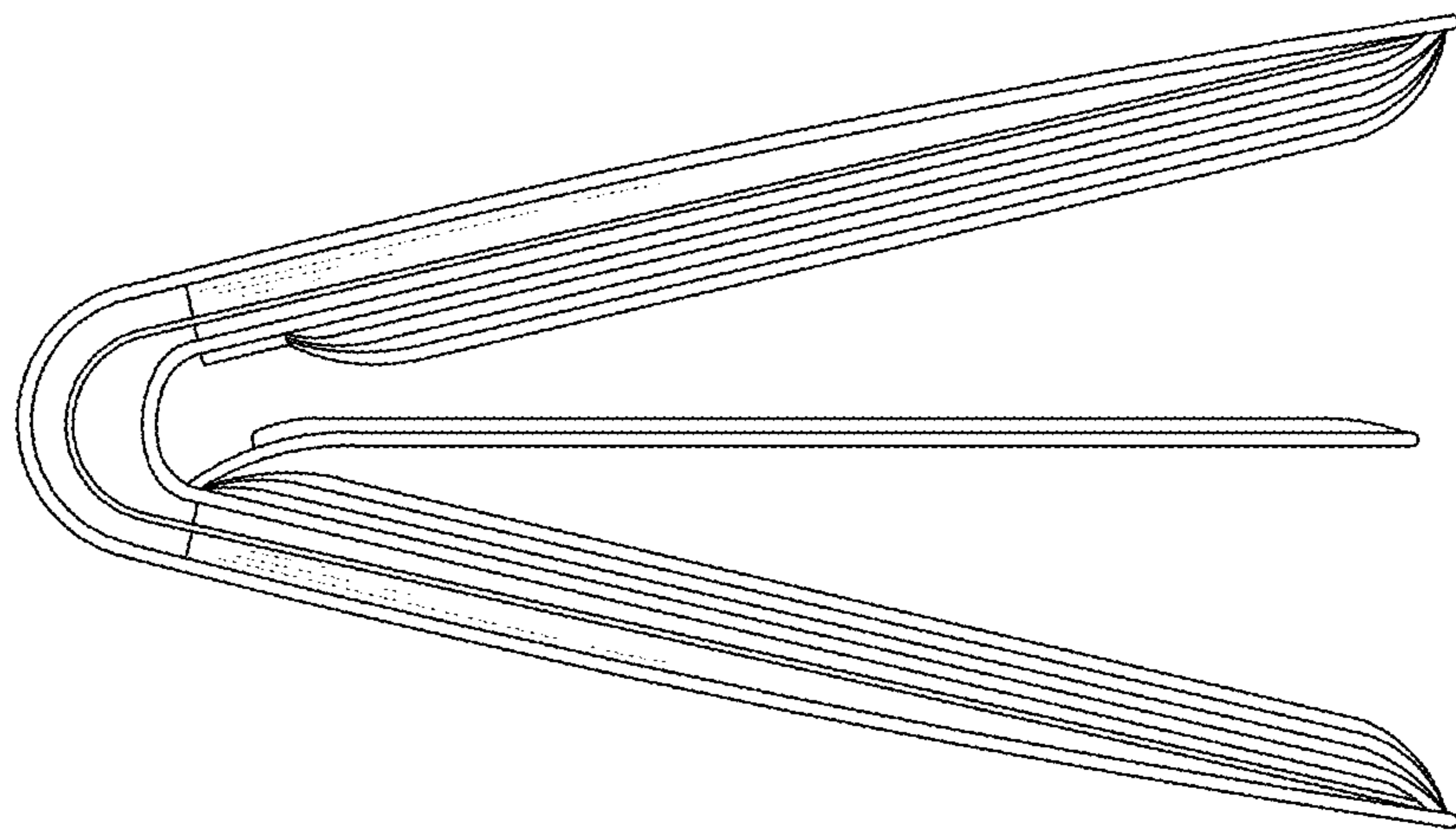


FIG. 7



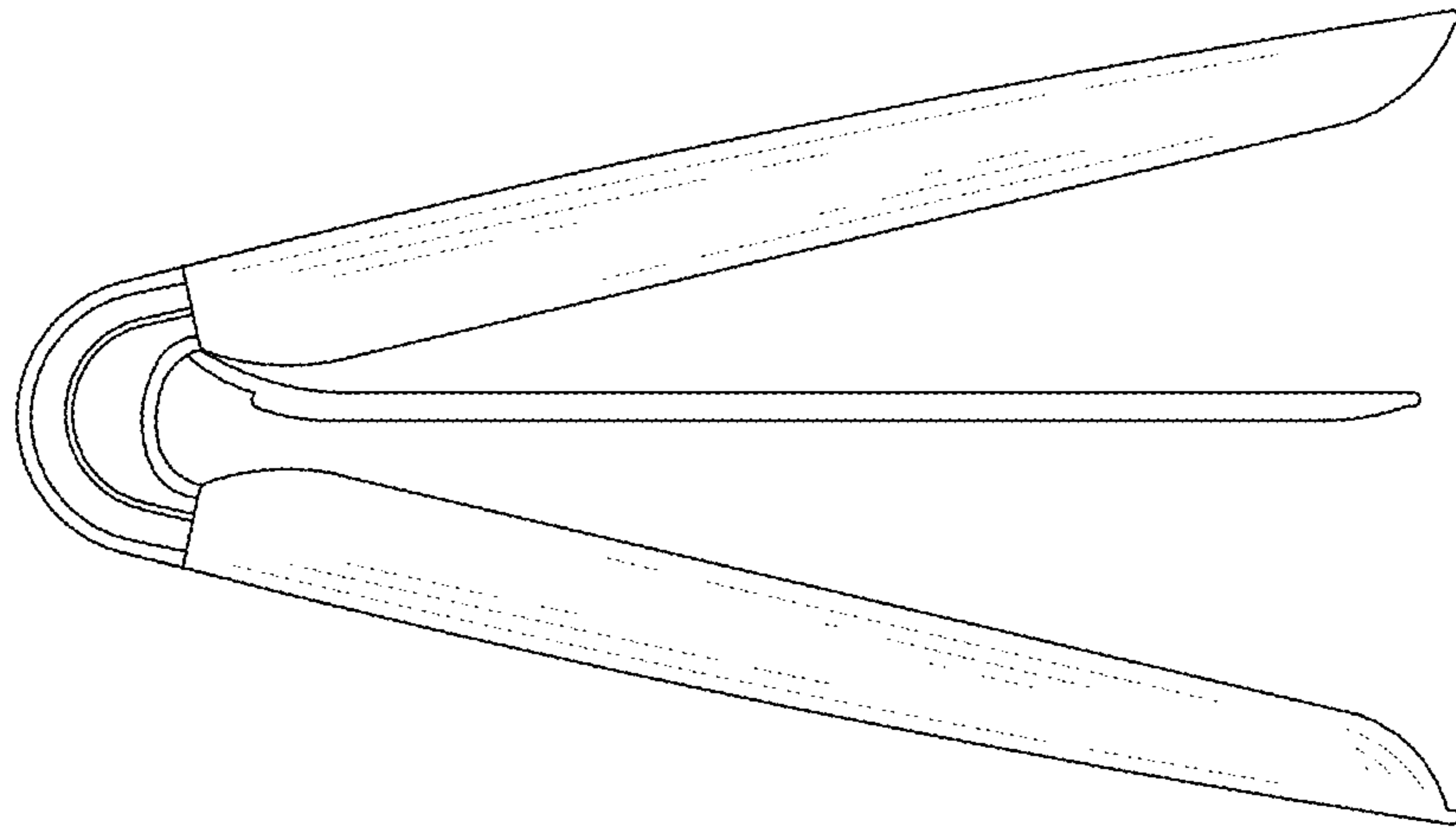


FIG. 8