



US00D872990S

(12) **United States Design Patent** (10) **Patent No.:** **US D872,990 S**
Schulze (45) **Date of Patent:** **** Jan. 21, 2020**

(54) **INSTRUMENT HOUSING**

(56) **References Cited**

(71) Applicant: **VITRONIC Dr.-Ing. Stein**
Bildverarbeitungssysteme GmbH,
Wiesbaden (DE)

(72) Inventor: **Andreas Schulze,** Huenfelden (DE)

(73) Assignee: **VITRONIC Dr.-Ing. Stein**
Bildverarbeitungssysteme GmbH,
Wiesbaden (DE)

(**) Term: **15 Years**

(21) Appl. No.: **29/659,960**

(22) Filed: **Aug. 14, 2018**

(30) **Foreign Application Priority Data**

Mar. 13, 2018 (EM) 004752574-0001

(51) **LOC (12) Cl.** **03-01**

(52) **U.S. Cl.**
USPC **D3/203.1**

(58) **Field of Classification Search**
USPC D3/201, 203.1, 203.3, 203.6, 203.7, 216,
D3/217, 267, 285, 287, 289, 301
CPC .. A45C 3/08; A45C 3/06; A45C 13/08; A45C
13/02; A45C 7/0086; A45C 3/00; A45C
13/26; A45F 3/04; A45F 3/02

See application file for complete search history.

U.S. PATENT DOCUMENTS

D343,953 S *	2/1994	Marques	D3/203.1
5,878,873 A *	3/1999	Clark	A45C 11/04
				206/6
D453,071 S *	1/2002	Chen	D3/263
D455,261 S *	4/2002	Browne	D3/263
D555,490 S *	11/2007	Liu	D9/549
7,320,397 B2 *	1/2008	Chao	A45C 11/04
				206/5
D599,655 S *	9/2009	Friebe	D9/420
D617,097 S *	6/2010	Raile	D3/263
D623,407 S *	9/2010	Raile	D3/263
D731,781 S *	6/2015	Behar	D3/201
D856,658 S *	8/2019	Betesh	D3/201

* cited by examiner

Primary Examiner — Mark A Goodwin

Assistant Examiner — Benjamin M Weeks

(74) *Attorney, Agent, or Firm* — The Webb Law Firm

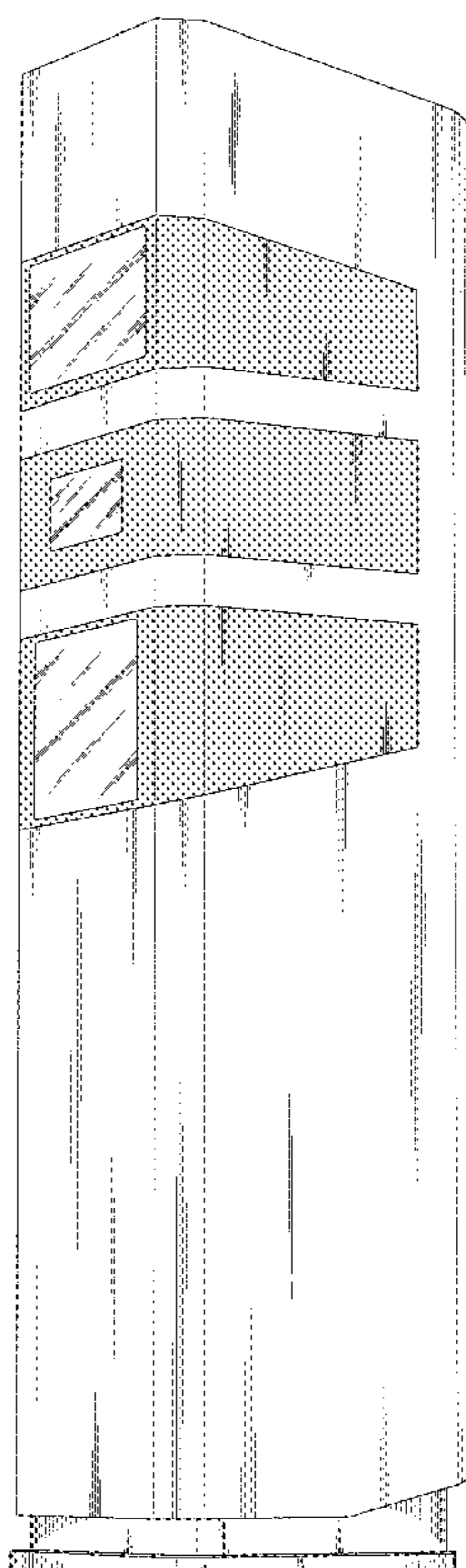
(57) **CLAIM**

The ornamental design for an instrument housing, as shown and described.

DESCRIPTION

FIG. 1 is a front perspective view of an instrument housing;
FIG. 2 is a right side view thereof;
FIG. 3 is a rear perspective view thereof; and,
FIG. 4 is a bottom view thereof.

1 Claim, 4 Drawing Sheets



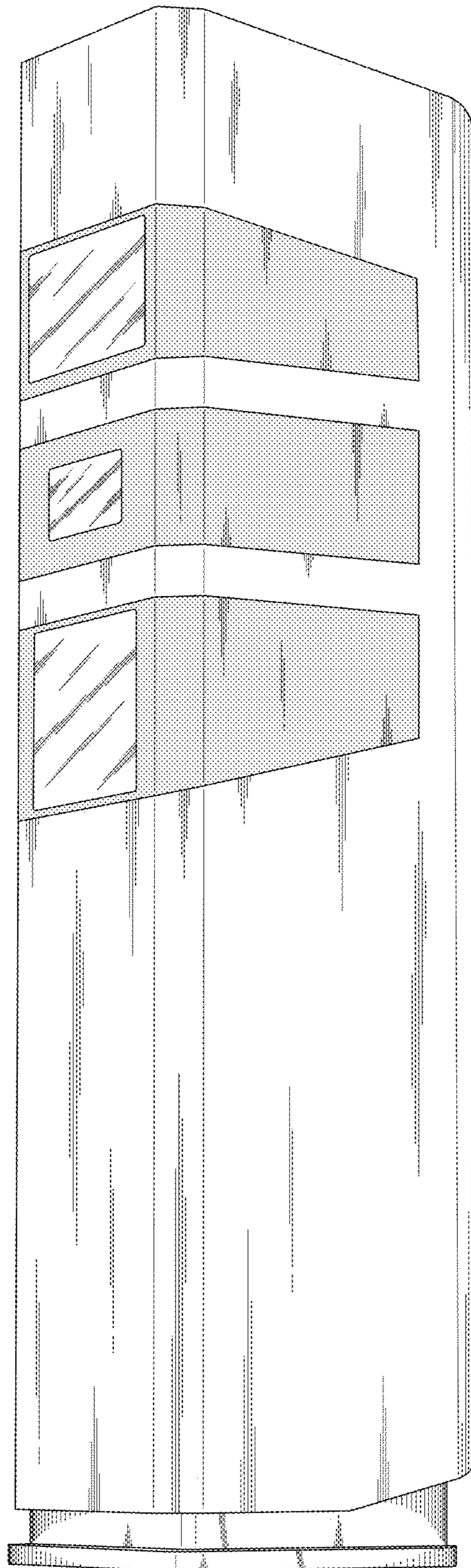


FIG. 1

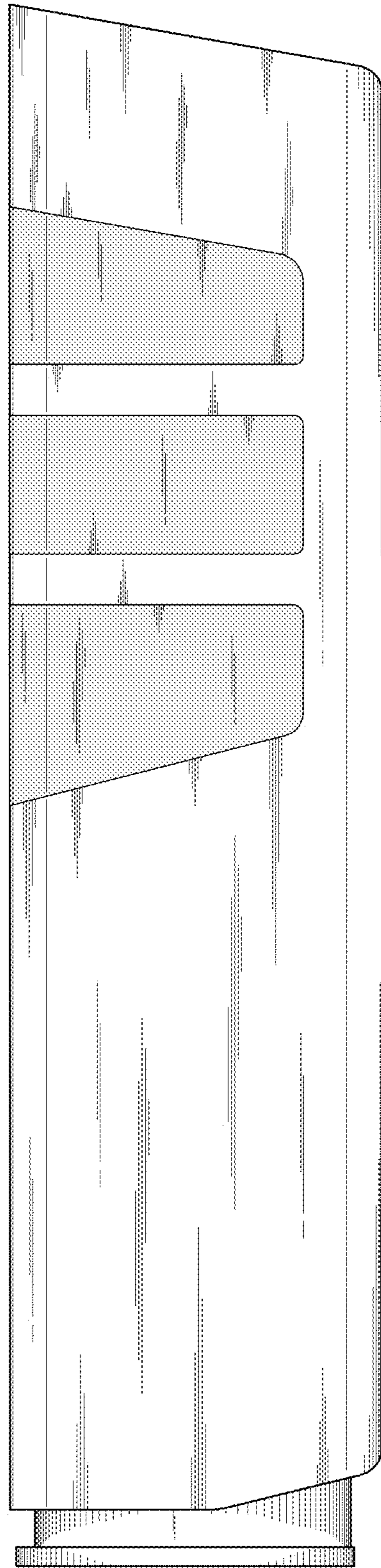


FIG. 2

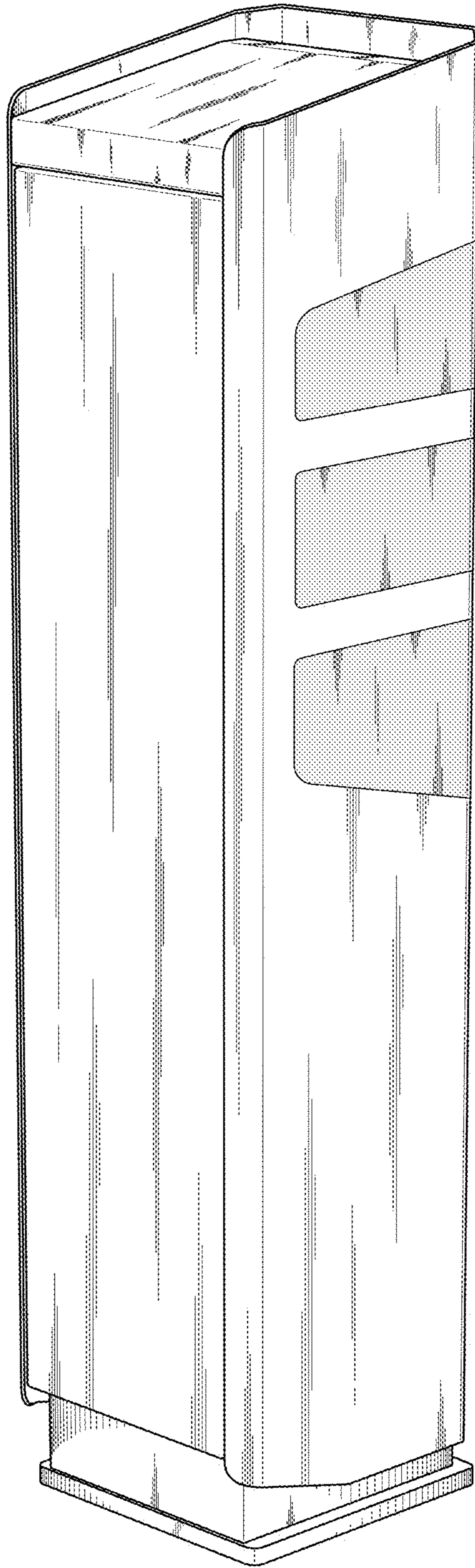


FIG. 3

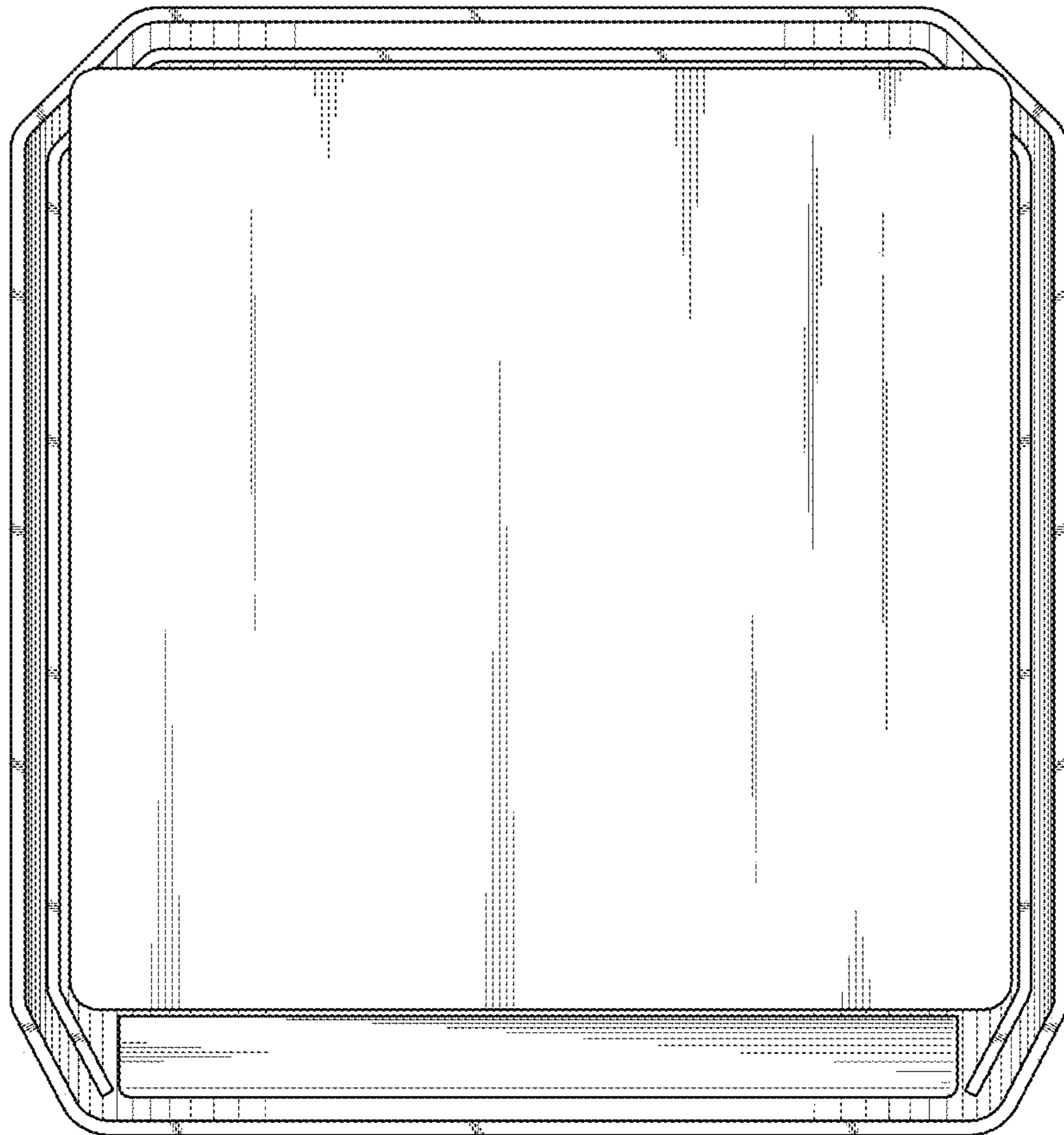


FIG. 4