



US00D872980S

(12) **United States Design Patent**
Ruan

(10) **Patent No.:** **US D872,980 S**
(45) **Date of Patent:** **** *Jan. 21, 2020**

(54) **SANDAL**

(71) Applicant: **Yongming Ruan**, Shenzhen (CN)

(72) Inventor: **Yongming Ruan**, Shenzhen (CN)

(*) Notice: This patent is subject to a terminal disclaimer.

(**) Term: **15 Years**

(21) Appl. No.: **29/642,782**

(22) Filed: **Apr. 2, 2018**

(51) **LOC (12) Cl.** **02-04**

(52) **U.S. Cl.**
USPC **D2/917; D2/943; D2/957**

(58) **Field of Classification Search**
USPC D2/896-900, 916-925, 930, 943,
D2/946-957, 969, 971, 976
CPC .. A43B 3/12; A43B 3/10; A43B 3/122-3/128;
A43B 23/24
See application file for complete search history.

(56) **References Cited**

U.S. PATENT DOCUMENTS

D169,015 S *	3/1953	Sbicca	D2/917
D178,700 S *	9/1956	Sandler	D2/918
D215,401 S *	9/1969	Cordoba de Balseiro	D2/918
D550,942 S *	9/2007	Choi	D2/917
D564,747 S *	3/2008	Belley	D2/917

D709,270 S *	7/2014	Issler	D2/917
D765,359 S *	9/2016	Yehudah	D2/917
D766,555 S *	9/2016	Fox	D2/917
D802,270 S *	11/2017	Kirschner	D2/955
D825,164 S *	8/2018	Pauk	D2/957
D827,268 S *	9/2018	Little	D2/954
D830,676 S *	10/2018	Durand	D2/951

* cited by examiner

Primary Examiner — Rashida C. Walshon
(74) *Attorney, Agent, or Firm* — Novoclaims Patent Services LLC; Mei Lin Wong

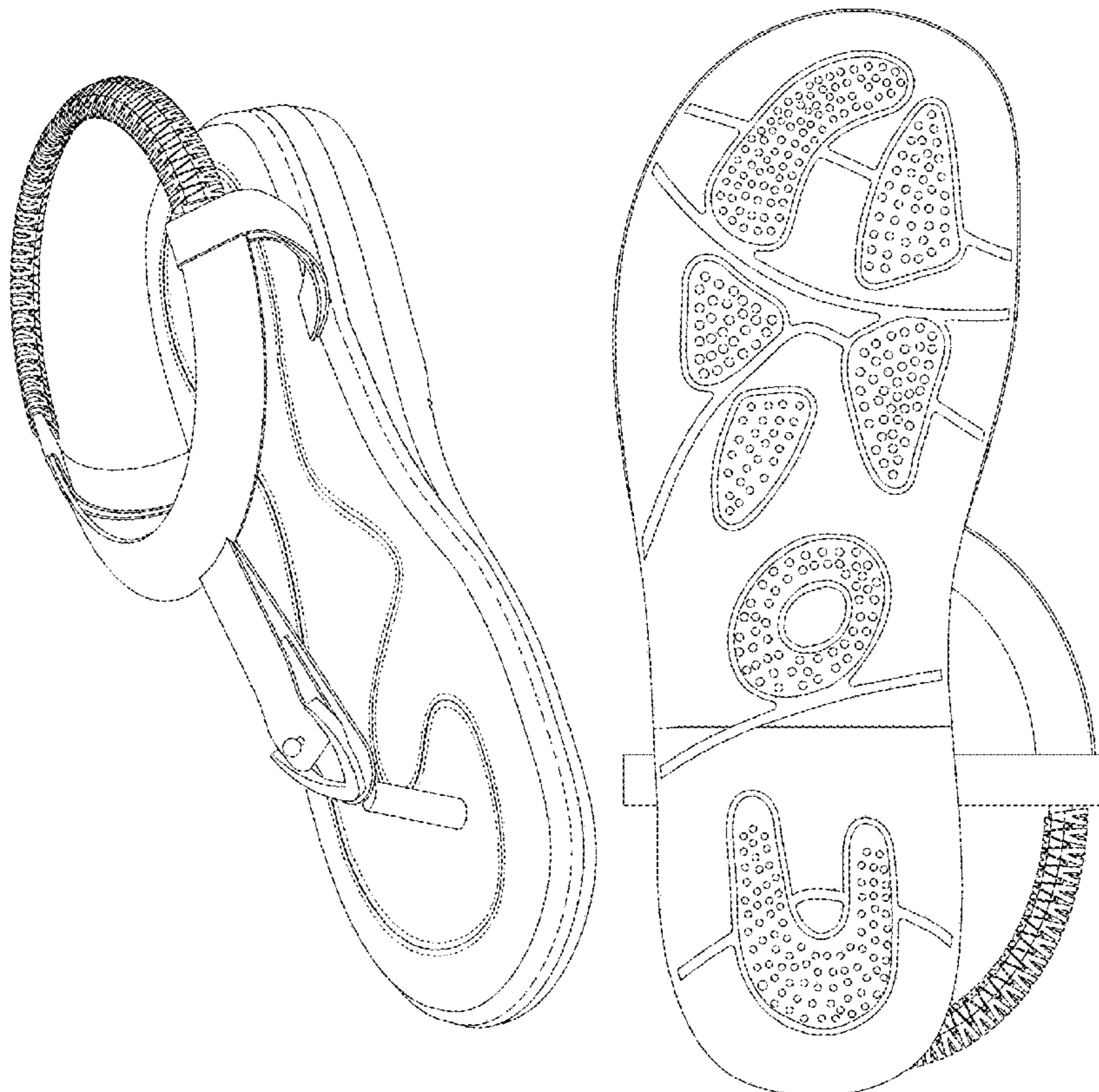
(57) **CLAIM**

The ornamental design for a sandal, as shown and described.

DESCRIPTION

FIG. 1 is a front perspective view of a sandal showing my new design;
FIG. 2 is a rear perspective view thereof;
FIG. 3 is a front view thereof;
FIG. 4 is a rear view thereof;
FIG. 5 is a left side view thereof;
FIG. 6 is a right side view thereof;
FIG. 7 is a top view thereof; and,
FIG. 8 is a bottom view thereof.
The dashed lines along the midsole and dotted lines on the footbed are claimed stitching.

1 Claim, 8 Drawing Sheets



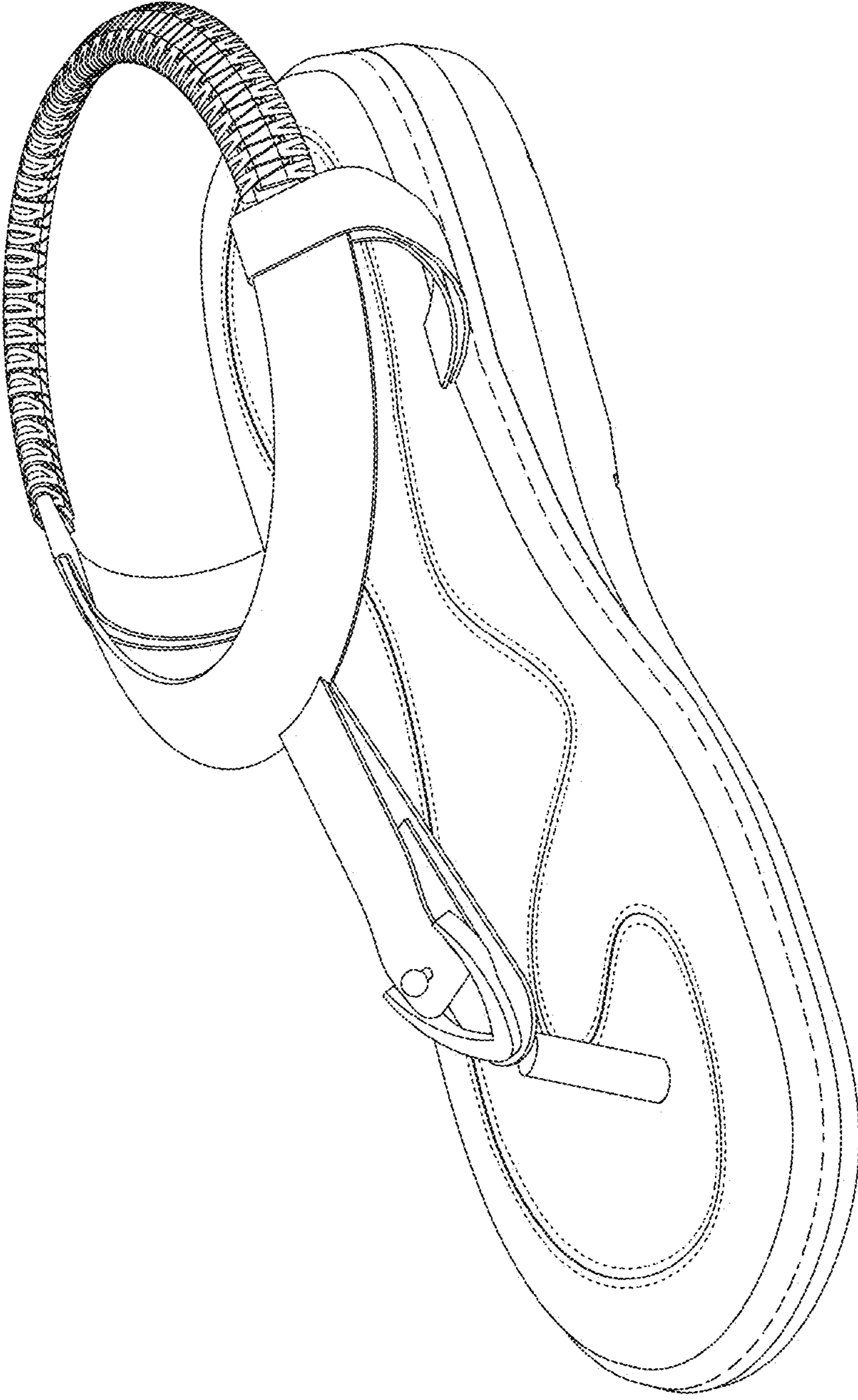


FIG. 1

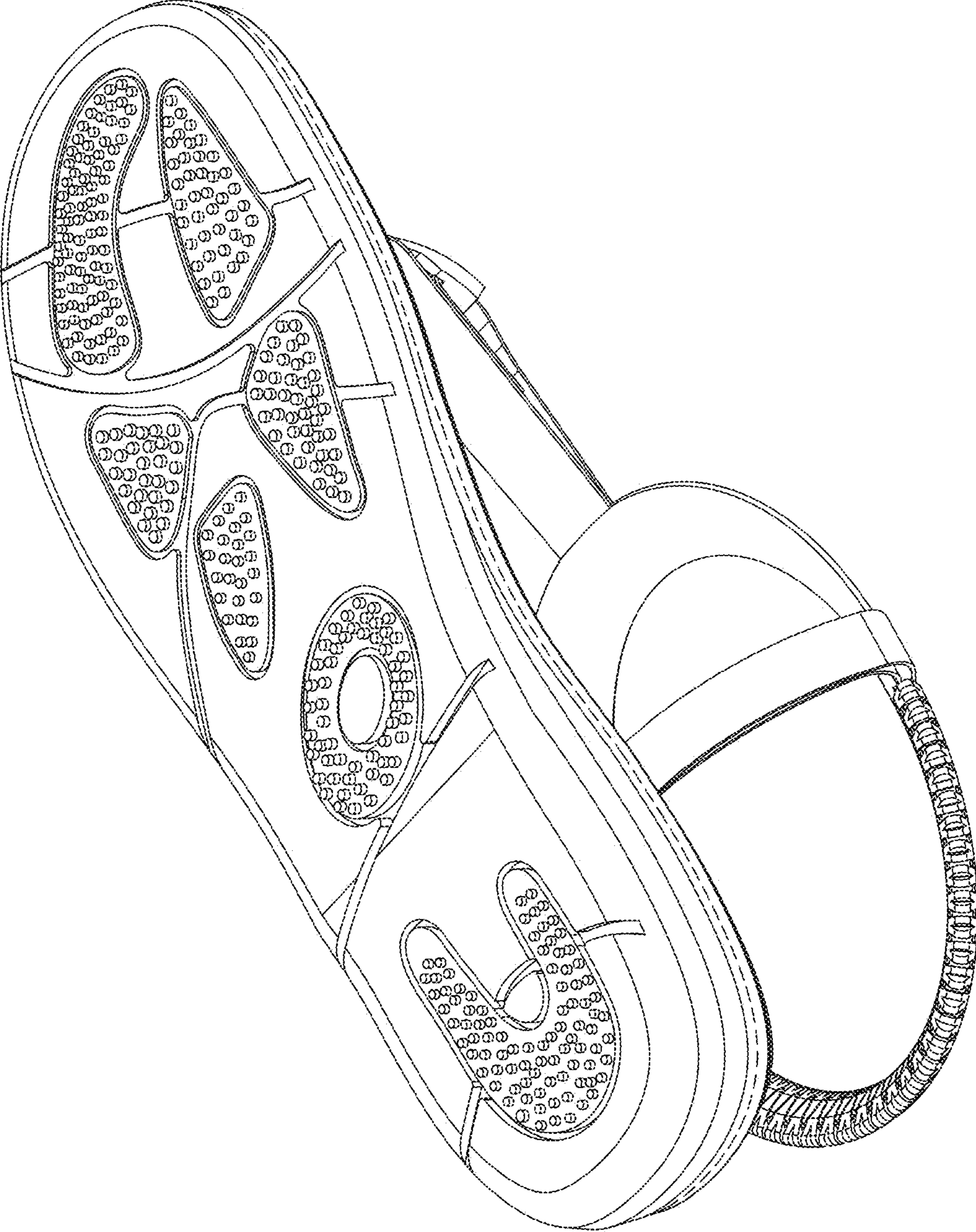


FIG. 2

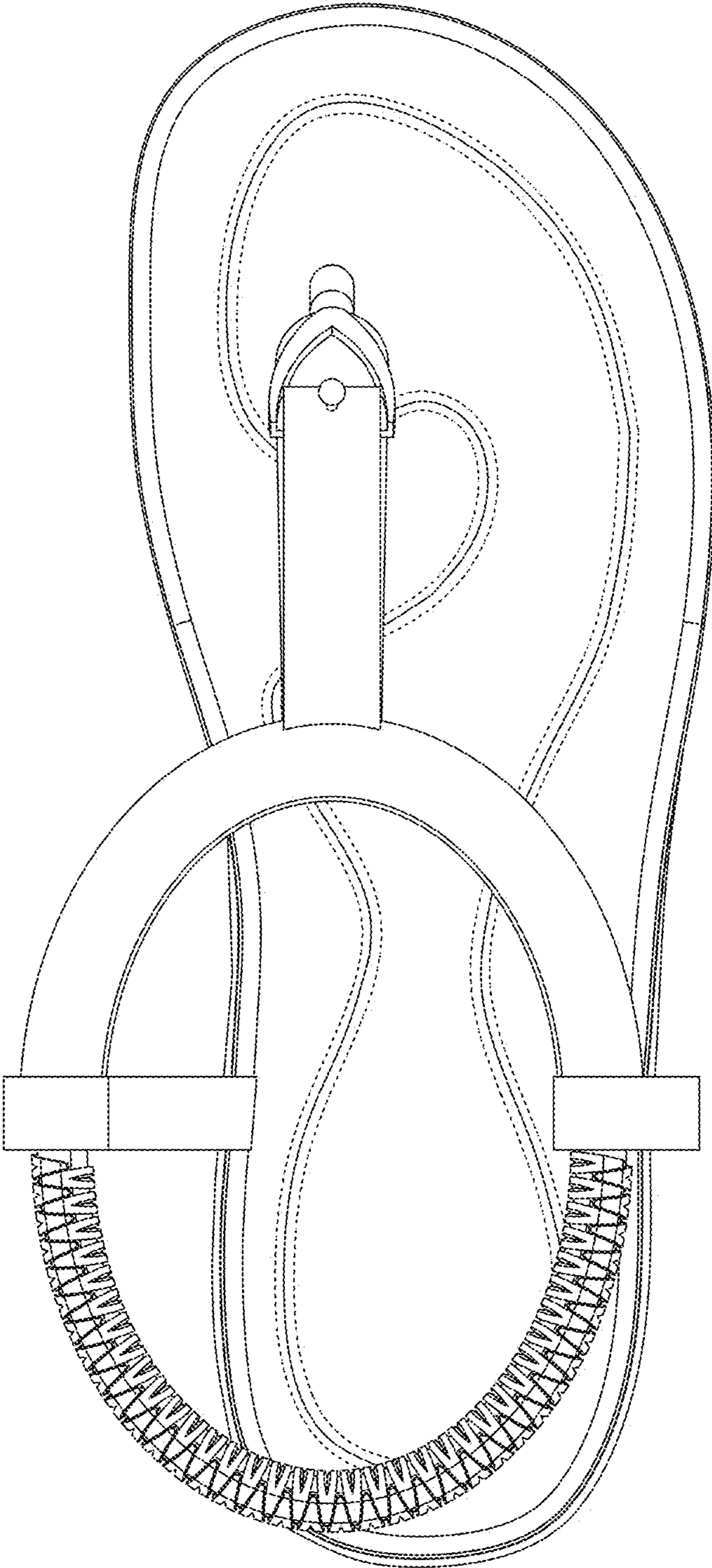


FIG. 3

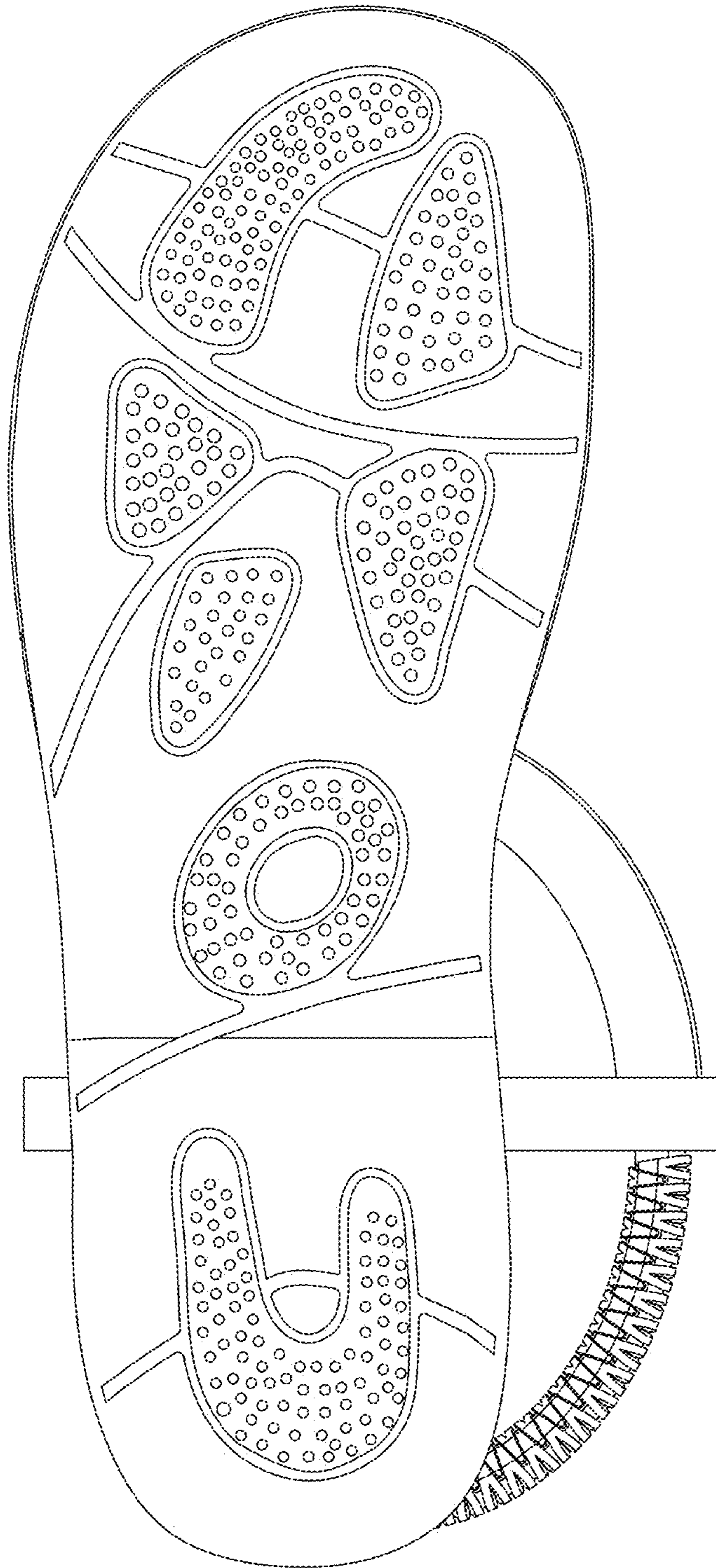


FIG. 4

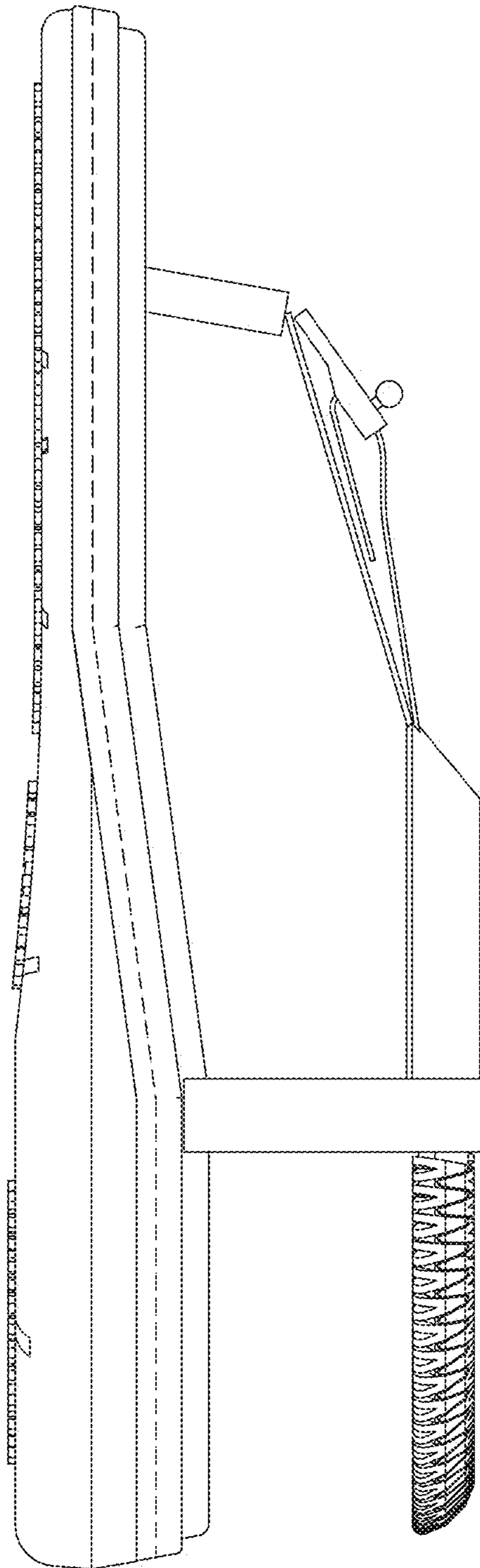


FIG. 5

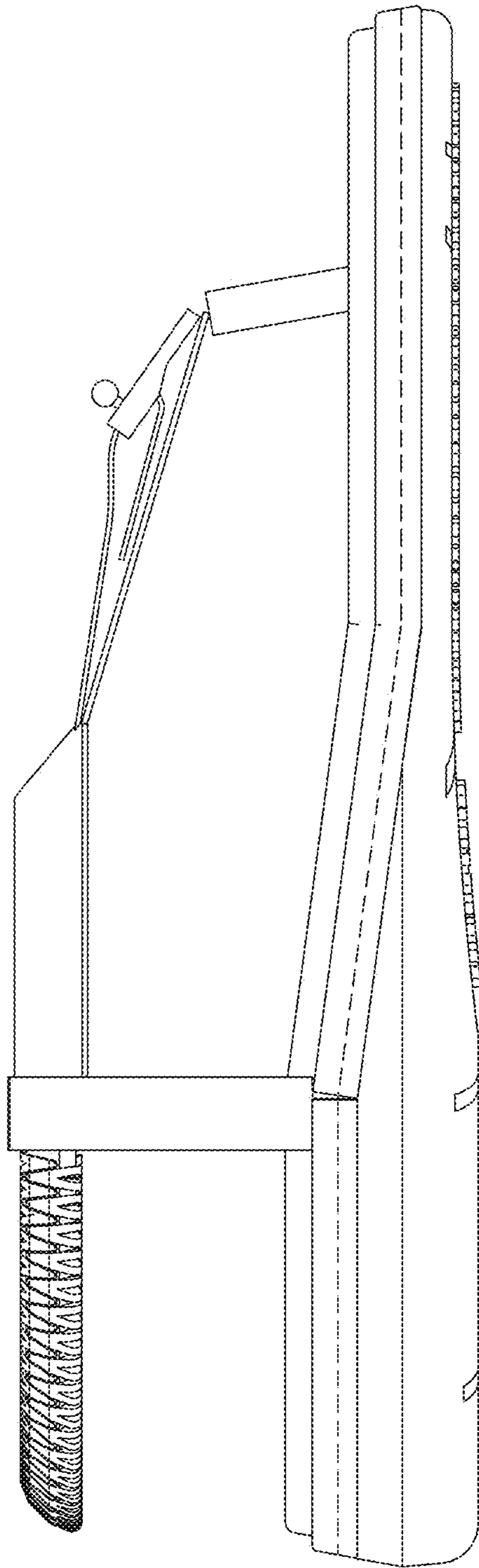


FIG. 6

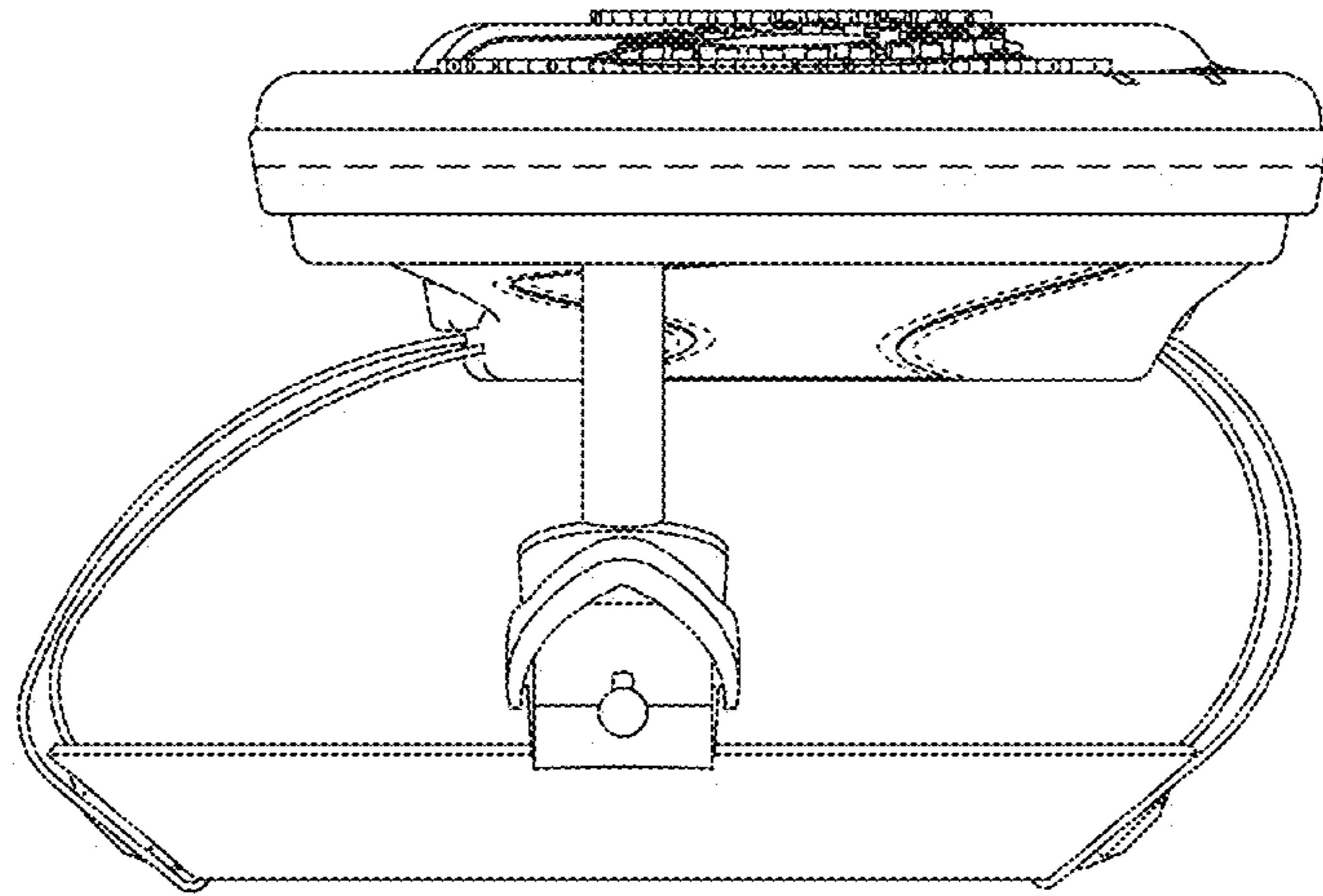


FIG. 7

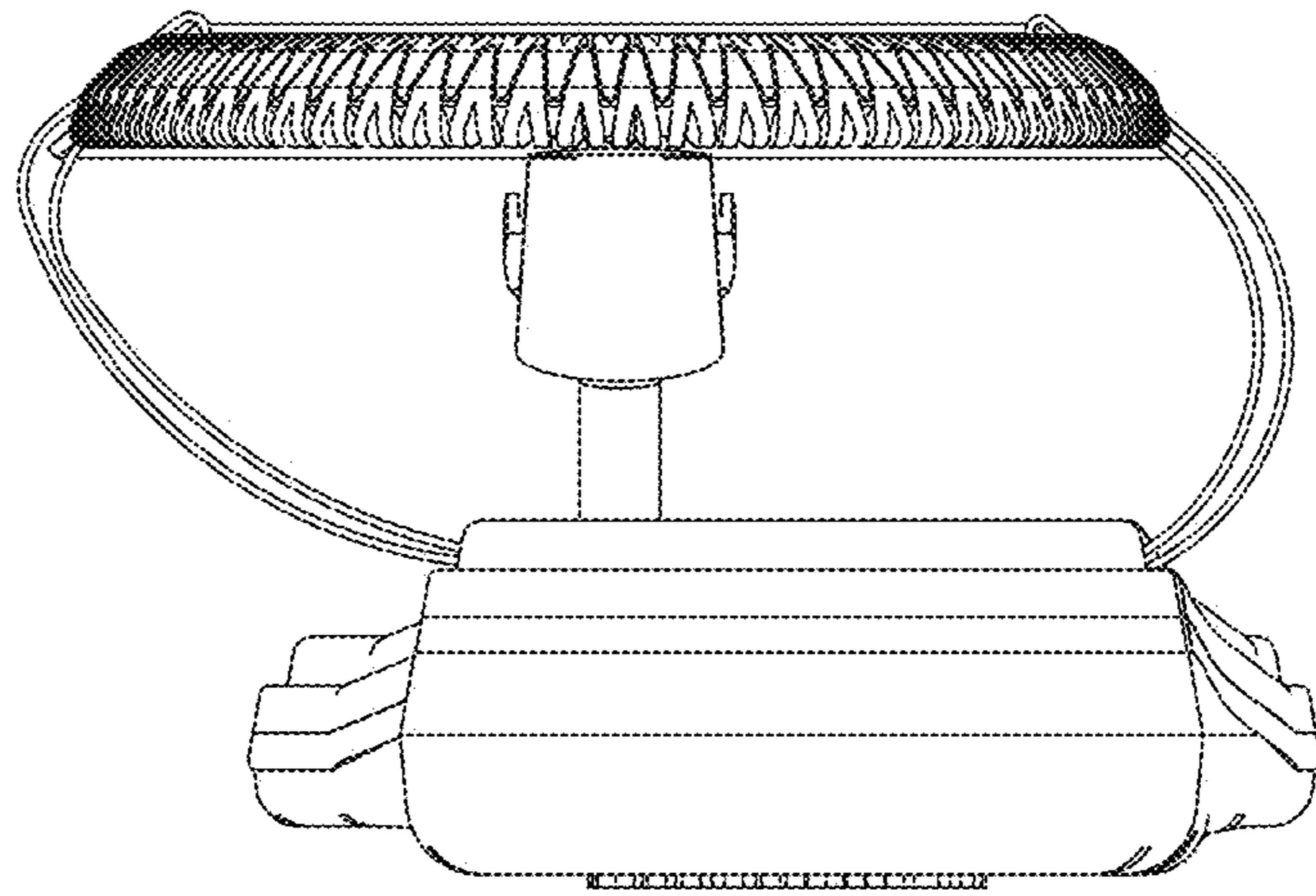


FIG. 8