



US00D872976S

(12) **United States Design Patent**
Mistry et al.

(10) **Patent No.:** **US D872,976 S**
(45) **Date of Patent:** **** Jan. 21, 2020**

(54) **JACKET**

(71) Applicant: **NIKE, Inc.**, Beaverton, OR (US)

(72) Inventors: **Raj C. Mistry**, Portland, OR (US);
Karl Pinfeld, Portland, OR (US);
Alexa Manos-Gully, Portland, OR (US)

(73) Assignee: **NIKE, Inc.**, Beaverton, OR (US)

(**) Term: **15 Years**

(21) Appl. No.: **29/678,756**

(22) Filed: **Jan. 30, 2019**

(51) **LOC (12) Cl.** **02-02**

(52) **U.S. Cl.**
USPC **D2/828**

(58) **Field of Classification Search**
USPC D2/828-831, 836, 823-826, 861, 731,
D2/750, 755, 999, 878; D6/582-583,
D6/596, 603, 605, 611; D24/124-126;
D5/1, 2-4, 7, 47, 53-54, 57-58, 60-61
CPC A41D 27/28; A41D 2500/30; A41D
2600/10; A41D 2200/20
See application file for complete search history.

(56) **References Cited**

U.S. PATENT DOCUMENTS

D79,921 S	11/1929	Fertel	
D394,135 S	5/1998	Gunnerson	
D587,434 S *	3/2009	Aird	D2/828
D588,783 S *	3/2009	Olstorn	D2/828
D714,525 S	10/2014	Payne	
D753,369 S *	4/2016	Iamartino	D2/828
D759,346 S	6/2016	Lomax	
D762,346 S	8/2016	Lomax	
D764,742 S *	8/2016	Criss	D2/828
D765,352 S	9/2016	Lomax	
D767,855 S *	10/2016	Maguire	D2/828
D789,040 S *	6/2017	Reynolds	D2/828

D789,042 S *	6/2017	Lomax	D2/831
D790,809 S *	7/2017	Lomax	D2/828
D793,034 S *	8/2017	Holder	D2/831
D793,668 S *	8/2017	Blackford	D2/828
D805,732 S *	12/2017	Bushby	D2/717
D823,576 S	7/2018	Lomax	
D824,680 S *	8/2018	Borovicka	D5/53
D827,251 S	9/2018	Mong et al.	
D833,080 S *	11/2018	Kusnier	D29/101.1
D843,689 S *	3/2019	Kinnear	D2/828

(Continued)

OTHER PUBLICATIONS

15 Best running Jackets for Men Review in 2019; #13 New Balance All Weather Reflective Running Jacket; GearHungry Website; Published Apr. 16, 2019; Visited Online Aug. 8, 2019; <https://www.gearhungry.com/running-jackets/> (Year: 2019).*

(Continued)

Primary Examiner — Amy C Wierenga

(74) *Attorney, Agent, or Firm* — Banner & Witcoff, Ltd.

(57) **CLAIM**

The ornamental design for a jacket, as shown and described.

DESCRIPTION

FIG. 1 is a rear perspective view of a jacket showing our new design;

FIG. 2 is a rear view thereof;

FIG. 3 is a side view thereof;

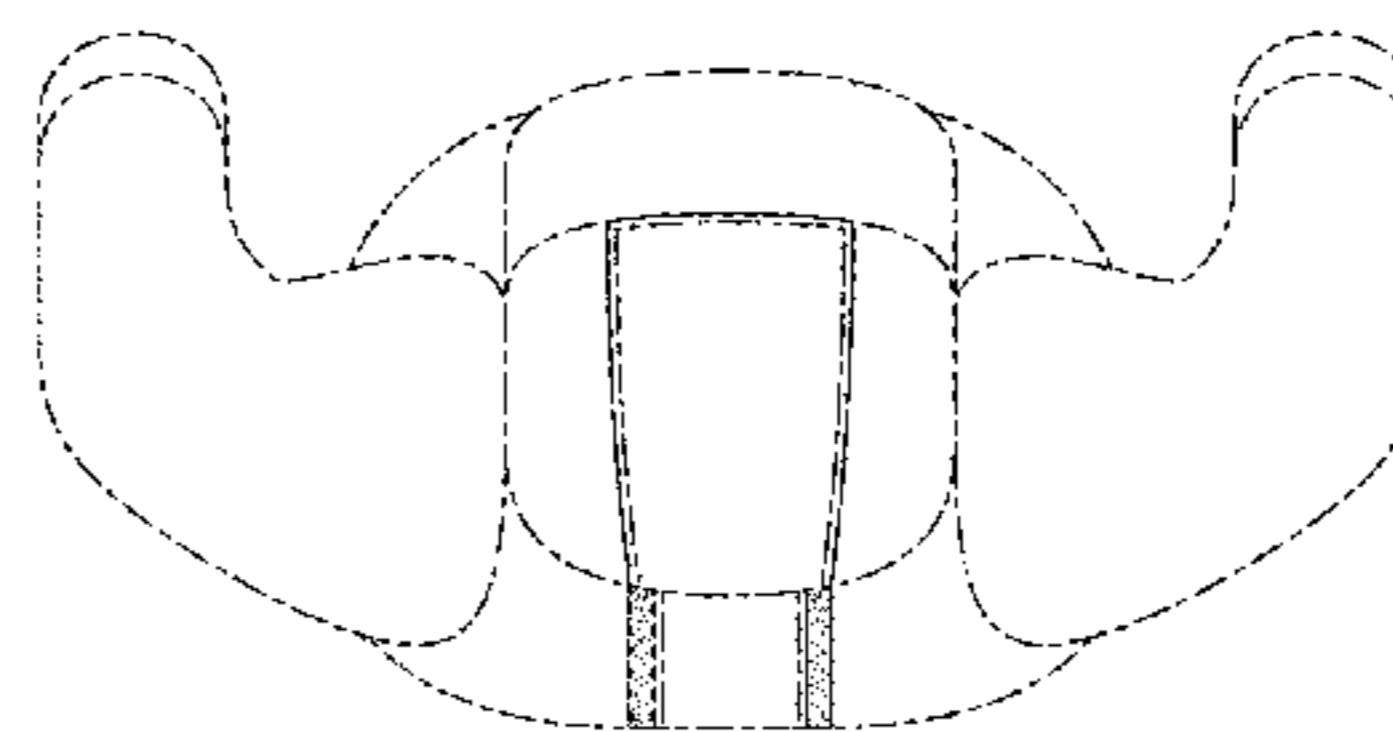
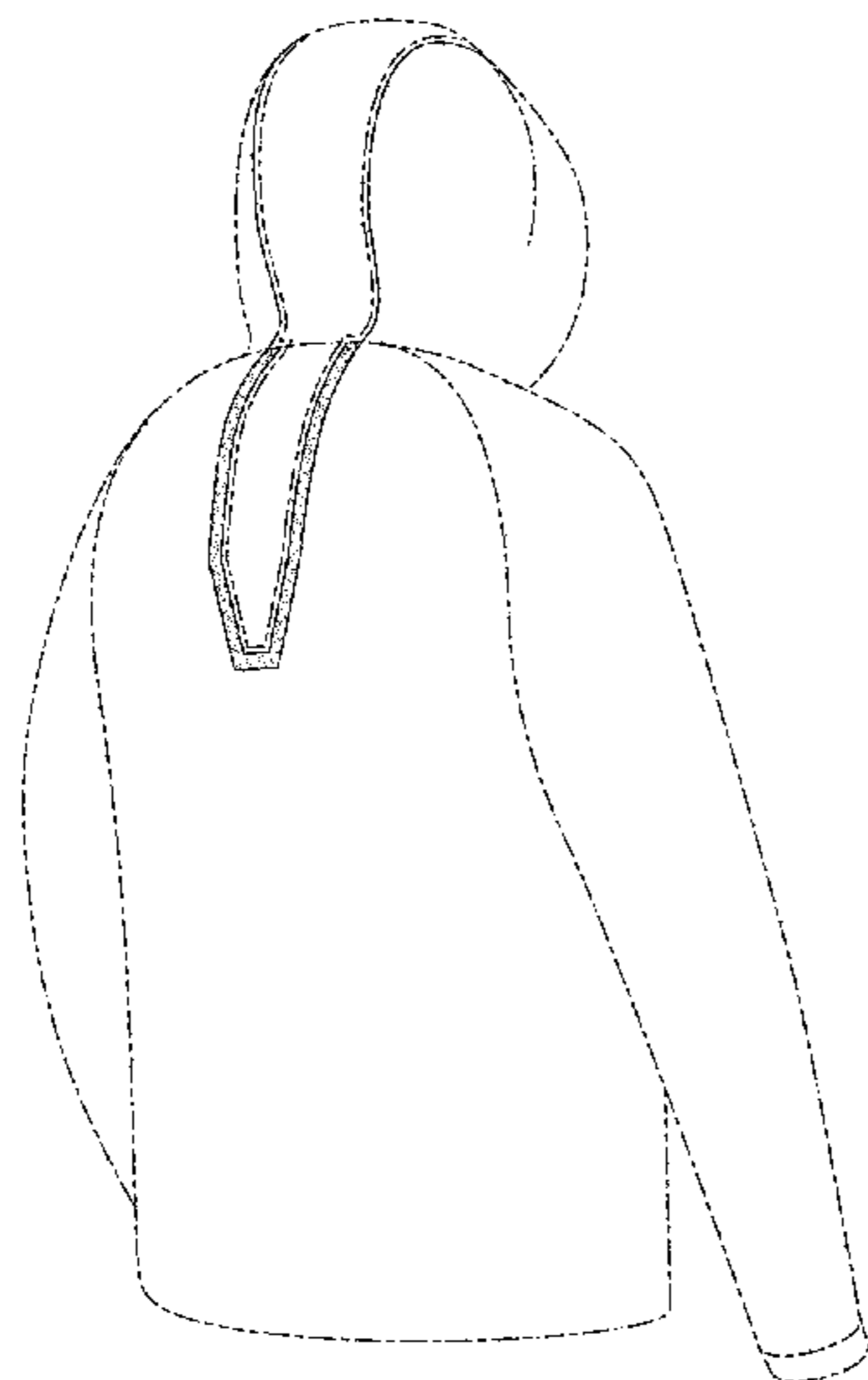
FIG. 4 is an opposite side view thereof;

FIG. 5 is a top view thereof; and,

FIG. 6 is a front view thereof.

The broken lines immediately adjacent to the internal perimeter of the solid lines define the bounds of the claimed design and form no part thereof. The broken lines depicting the remainder of the jacket show features that form no part of the claimed design.

1 Claim, 6 Drawing Sheets



(56)

References Cited

U.S. PATENT DOCUMENTS

2015/0223527 A1* 8/2015 Arora A41D 13/0125
2/86
2018/0042319 A1* 2/2018 Fowler A41D 3/00
2018/0184729 A1* 7/2018 Rybak A41B 7/00

OTHER PUBLICATIONS

Nike Footwear Catalog, 2010 Fall Soccer Footwear, p. 65, published Nov. 2009, NIKE, Inc., USA.
Nike Footwear Catalog, 2016 Spring Allocated Styles Footwear Apparel NA, p. 115, published May 2015, NIKE, Inc., USA.
Nike Footwear Catalog, 2016 Fall Athletic Specialty Apparel and Equipment NA, p. 65, published Nov. 2015, NIKE, Inc., USA.
Nike Footwear Catalog, 2016 Fall Tennis Specialty Final, p. 15, published Nov. 2015, NIKE, Inc., USA.

* cited by examiner

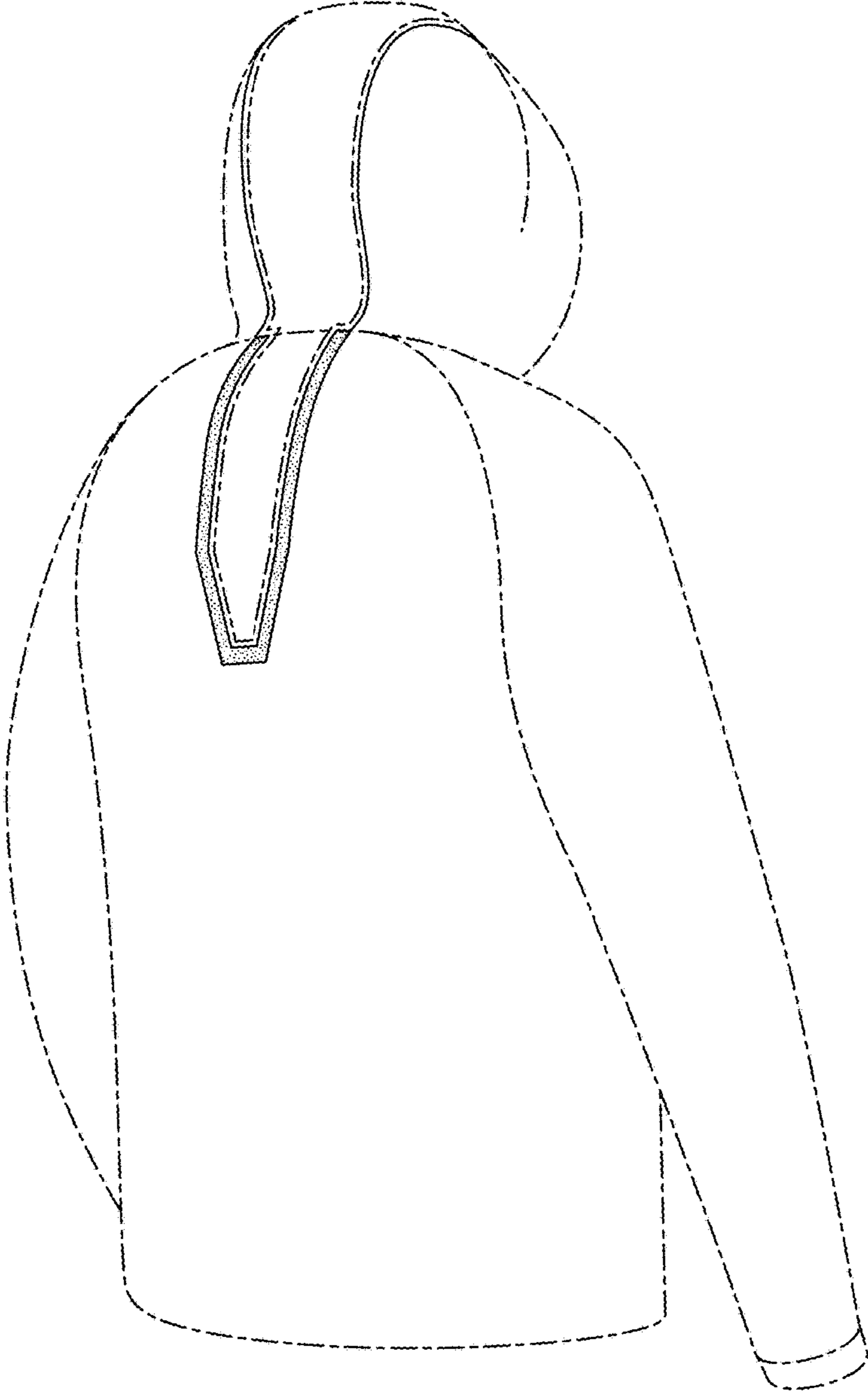


FIG. 1

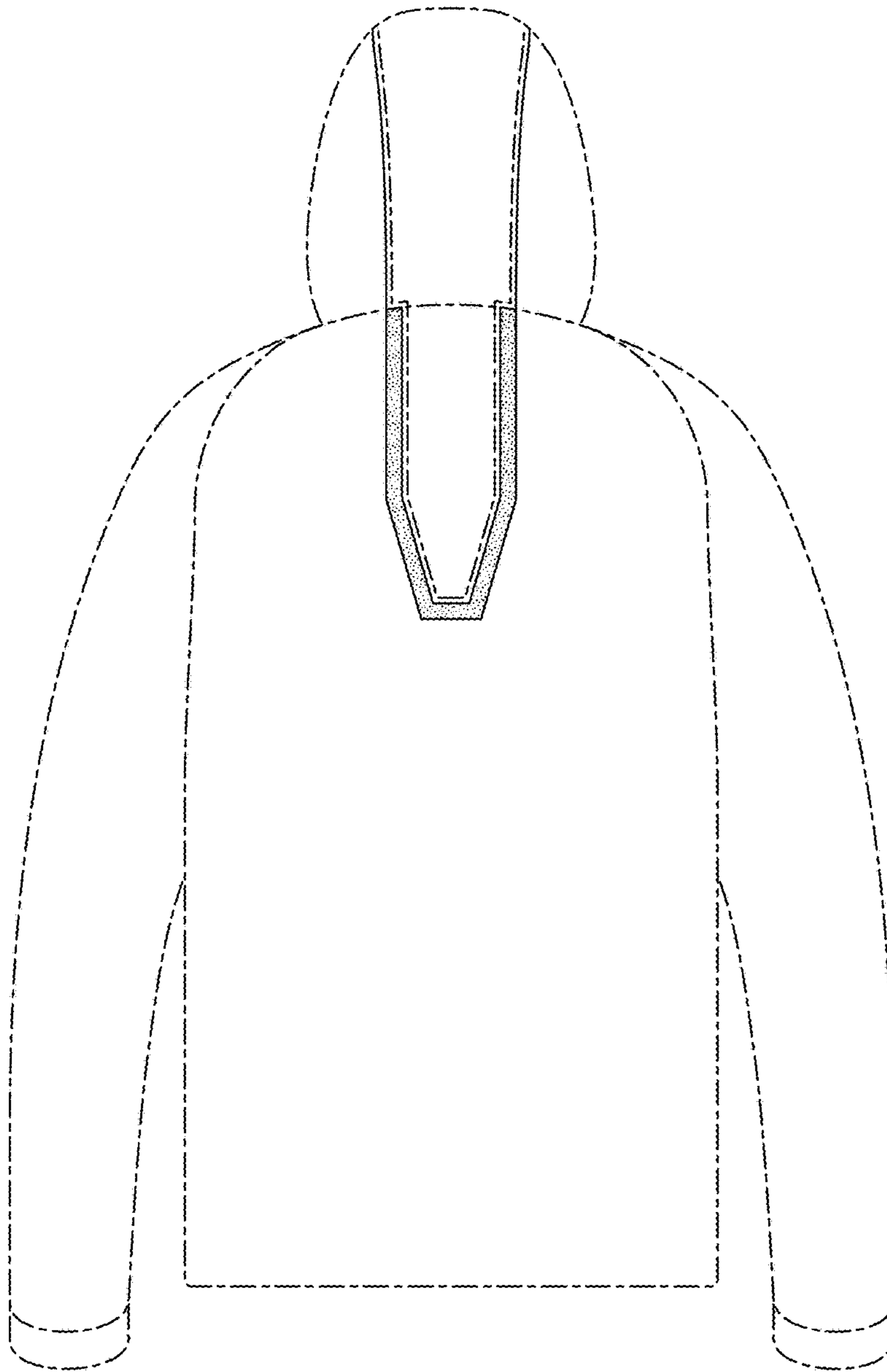


FIG. 2

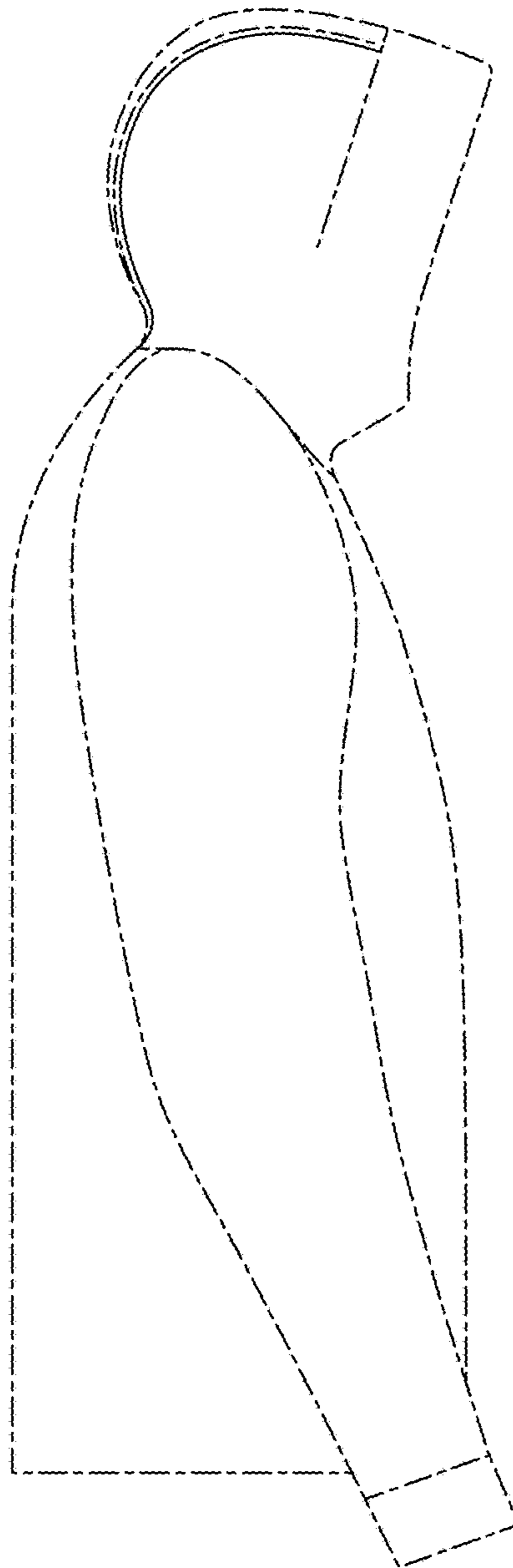


FIG. 3

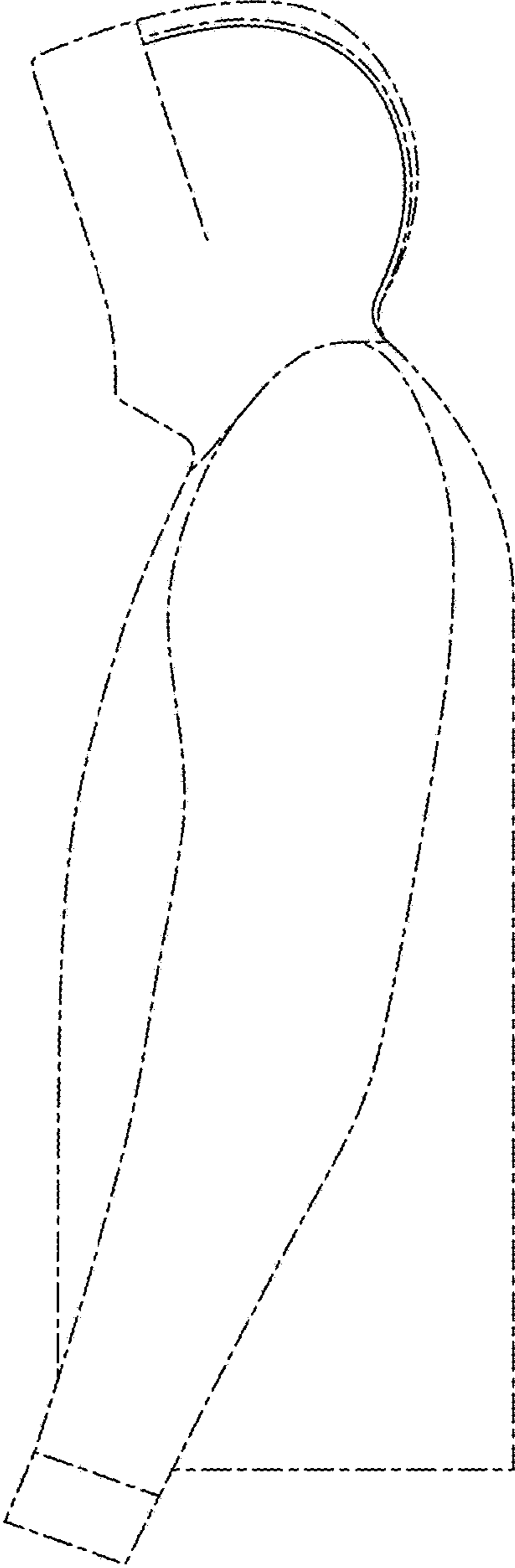


FIG. 4

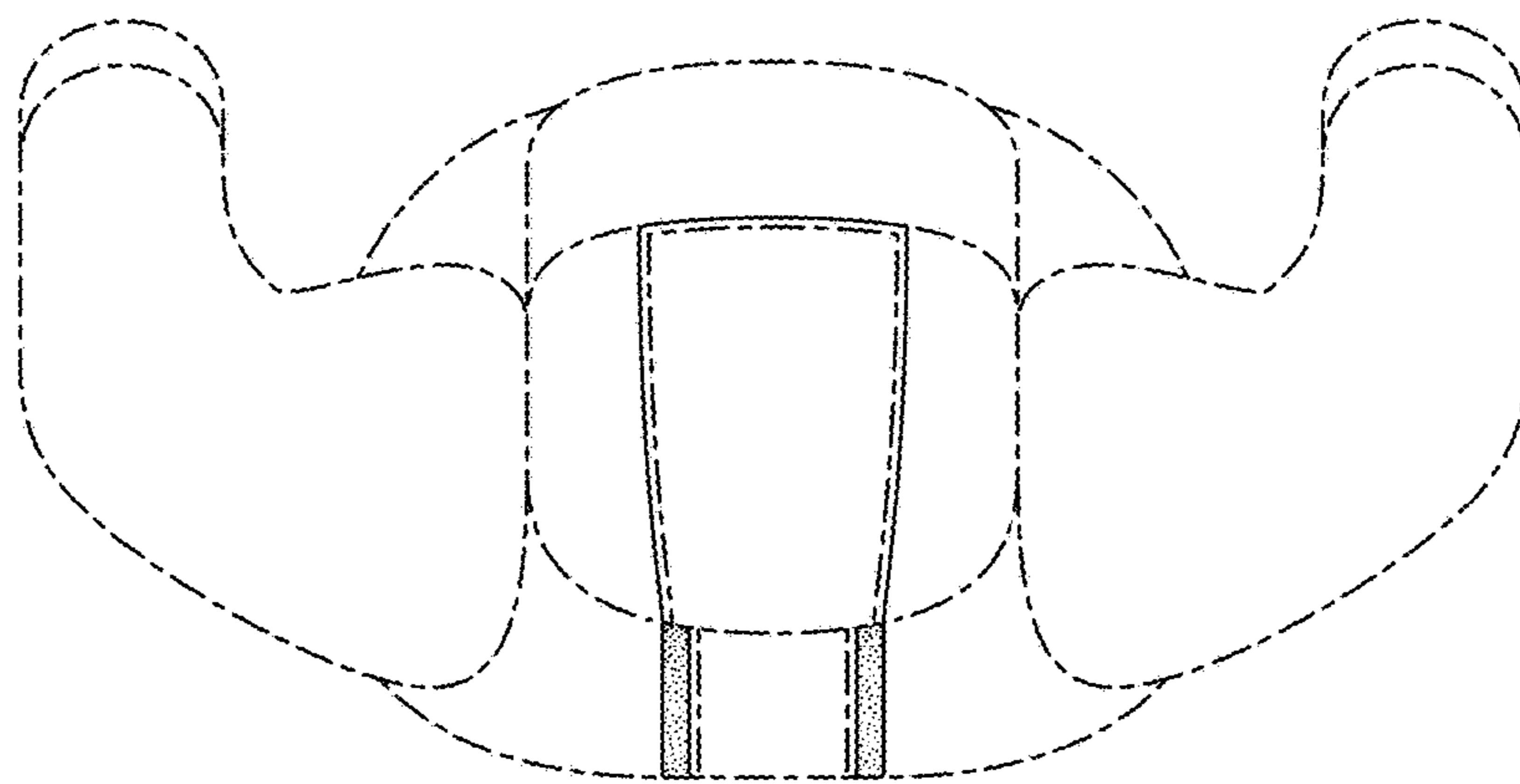


FIG. 5

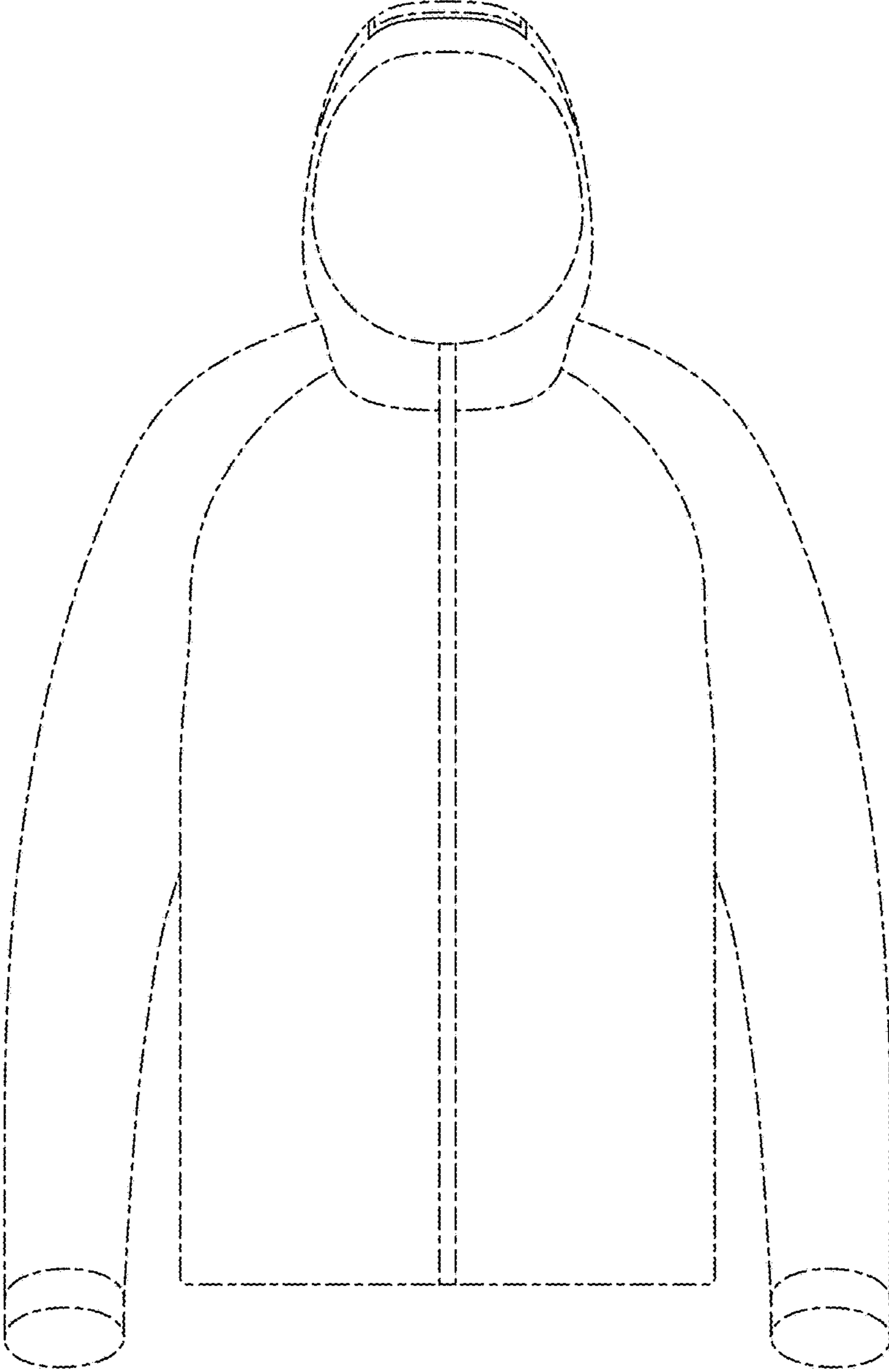


FIG. 6