



US00D872975S

(12) **United States Design Patent**
Mistry et al.

(10) **Patent No.:** **US D872,975 S**
(45) **Date of Patent:** **** Jan. 21, 2020**

- (54) **JACKET**
- (71) Applicant: **NIKE, Inc.**, Beaverton, OR (US)
- (72) Inventors: **Raj C. Mistry**, Portland, OR (US);
Alexa Manos-Gully, Portland, OR (US); **Karl Pinfeld**, Portland, OR (US)
- (73) Assignee: **NIKE, Inc.**, Beaverton, OR (US)
- (**) Term: **15 Years**
- (21) Appl. No.: **29/678,755**
- (22) Filed: **Jan. 30, 2019**
- (51) **LOC (12) Cl.** **02-02**
- (52) **U.S. Cl.**
USPC **D2/828**
- (58) **Field of Classification Search**
USPC D2/828–831, 836, 823–826, 861, 731,
D2/750, 755, 999, 878; D6/582–583,
D6/596, 603, 605, 611; D24/124–126;
D5/1, 2–4, 7, 47, 53–54, 57–58, 60–61
CPC A41D 27/28; A41D 2500/30; A41D
2600/10; A41D 2200/20
See application file for complete search history.

(56) **References Cited**

U.S. PATENT DOCUMENTS

D11,670 S	3/1880	Conde	
D86,519 S	3/1932	Graber	
D96,282 S	7/1935	Scott	
D98,542 S	2/1936	Minoff	
D117,410 S	10/1939	Wershing	
D117,614 S	11/1939	Fortstmann	
D118,126 S	12/1939	Minoff	
D131,308 S	2/1942	Selver	
D159,021 S	* 6/1950	Walther D5/47

(Continued)

OTHER PUBLICATIONS

Nine Best Travel Hoodies; Bluesmiths Kula Windpro Hoodie; Published Oct. 2, 2018 Smarter Travel Website; Visited Online Aug. 28, 2019; <https://www.smartertravel.com/best-travel-hoodie/> (Year: 2018).*

(Continued)

Primary Examiner — Amy C Wierenga
(74) *Attorney, Agent, or Firm* — Banner & Witcoff, Ltd.

(57) **CLAIM**

The ornamental design for a jacket, as shown and described.

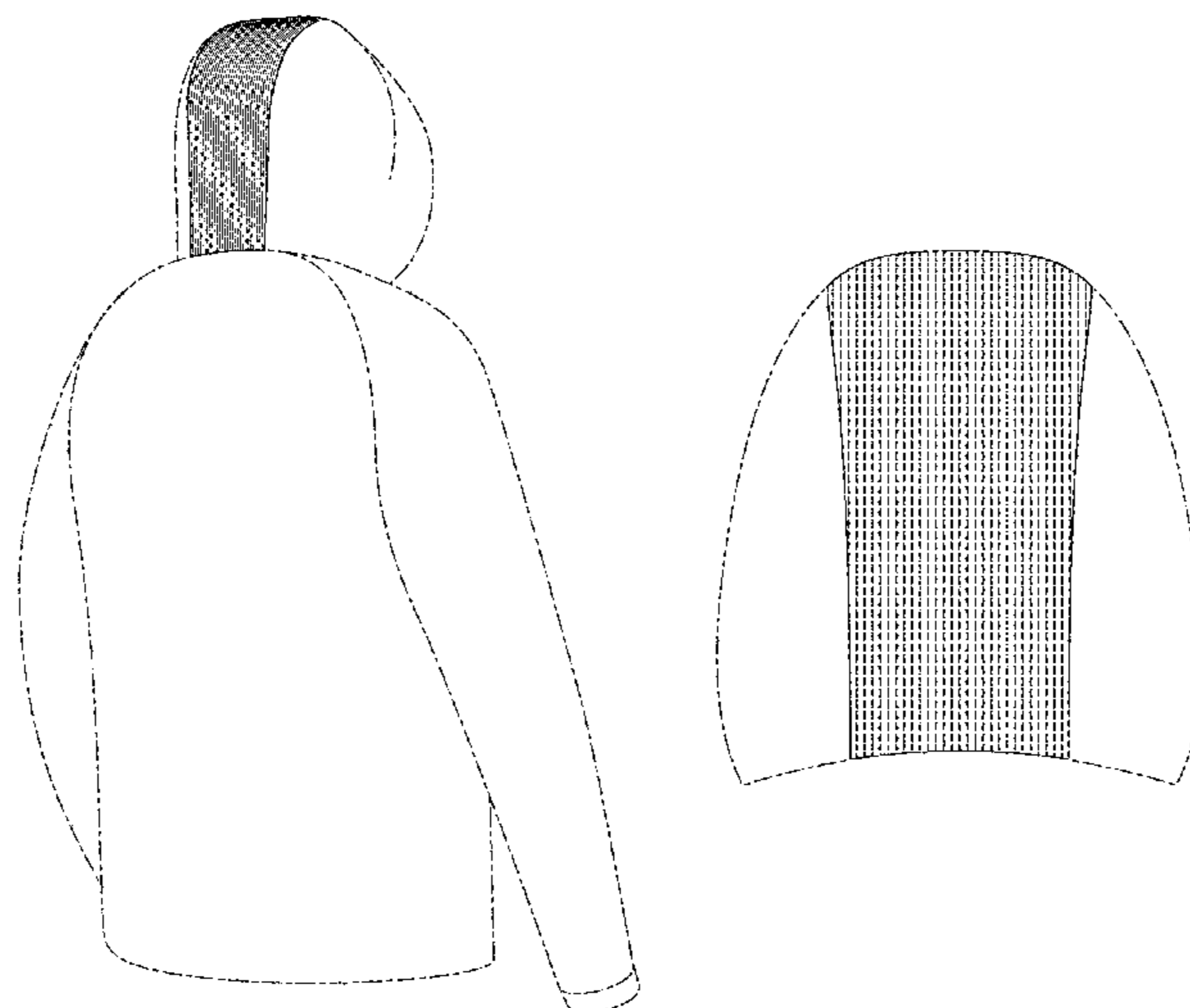
DESCRIPTION

FIG. 1 is a rear perspective view of a jacket showing our new design;
 FIG. 2 is an opposite side rear perspective view thereof;
 FIG. 3 is a top view thereof;
 FIG. 4 is a rear view thereof;
 FIG. 5 is an enlarged view showing only the hood of the jacket as shown in FIG. 1 with the remainder of the jacket removed for clarity purposes;
 FIG. 6 is an enlarged view showing only the hood of the jacket as shown in FIG. 2 with the remainder of the jacket removed for clarity purposes;
 FIG. 7 is an enlarged view showing only the hood of the jacket as shown in FIG. 3 with the remainder of the jacket removed for clarity purposes;
 FIG. 8 is an enlarged view showing only the hood of the jacket as shown in FIG. 4 with the remainder of the jacket removed for clarity purposes; and,
 FIG. 9 is an enlarged view of the indicated portion “9” from FIG. 7.

The lines shown within the center hood portion of the claim reflect a contrast in appearance. The dot dash broken line shown in FIGS. 7 and 9 indicate cutoff boundaries for enlarged detailed portion views that form no part of the claim.

The broken lines depicting the remainder of the jacket show features that form no part of the claimed design.

1 Claim, 9 Drawing Sheets



(56)

References Cited

U.S. PATENT DOCUMENTS

D187,362 S 3/1960 Ellefson
 D237,844 S * 12/1975 Stock D2/870
 4,573,218 A * 3/1986 Saggs A41D 15/002
 2/108
 D444,631 S 7/2001 Woodbridge et al.
 7,043,766 B1 * 5/2006 Foreman A41B 9/06
 2/81
 D553,329 S 10/2007 Wager
 D553,330 S 10/2007 Wager
 D588,783 S * 3/2009 Olstorn D2/828
 D633,692 S 3/2011 Lawrence et al.
 D635,332 S 4/2011 DeRobertis
 D647,309 S 10/2011 Kuehn et al.
 D670,917 S 11/2012 Blackford
 8,453,264 B2 * 6/2013 Mickle A41D 3/04
 2/82
 D695,495 S * 12/2013 Astacio D2/881
 D721,467 S 1/2015 Tref
 D728,245 S 5/2015 Haverfield et al.
 D737,543 S * 9/2015 Turner D2/717
 D758,047 S * 6/2016 Burlo D2/831
 D758,700 S 6/2016 Borovicka
 D762,048 S 7/2016 Lomax
 D762,346 S 8/2016 Lomax
 D764,742 S 8/2016 Criss
 D775,788 S 1/2017 Darmour
 D787,160 S 5/2017 Crowe et al.
 D789,042 S 6/2017 Lomax
 D790,809 S 7/2017 Lomax
 D793,034 S 8/2017 Holder
 D799,167 S 10/2017 Carey et al.

D799,168 S 10/2017 Carey et al.
 D805,732 S 12/2017 Bushby et al.
 D807,612 S 1/2018 Bushby et al.
 D809,745 S 2/2018 Crowe et al.
 D829,969 S * 10/2018 Vasylyev D26/120
 D839,552 S * 2/2019 Anayiotos D2/828
 D843,689 S 3/2019 Kinnear
 2016/0150847 A1 * 6/2016 Johnson A42C 5/04
 2/84
 2017/0340037 A1 * 11/2017 Bailey A41D 27/285
 2018/0002849 A1 * 1/2018 Beattie A41D 31/00

OTHER PUBLICATIONS

15 Best running Jackets for Men Review in 2019; #11 Columbia Outdry Ex Caldorado Shell Jacket; GearHungry Website; Published Apr. 16, 2019; Visited Online Aug. 8, 2019; <https://www.gearhungry.com/running-jackets/> (Year: 2019).*

Nike Footwear Catalog, 2012 Fall Jordan Footwear, p. 9, published Nov. 2011, NIKE, Inc., USA.

Nike Footwear Catalog, 2012 Fall Jordan Footwear, p. 10, published Nov. 2011, NIKE, Inc., USA.

Nike Footwear Catalog, 2017 Spring Boutique Apparel Equipment NA, p. 131, published May 2016, NIKE, Inc., USA.

Nike Footwear Catalog, 2017 Spring Boutique Apparel Equipment NA, p. 145, published May 2016, NIKE, Inc., USA.

Nike Footwear Catalog, 2011 Spring Performance Apparel, p. 6, published May 2010, NIKE, Inc., USA.

Nike Footwear Catalog, 2011 Spring Performance Apparel, p. 15, published May 2010, NIKE, Inc., USA.

* cited by examiner

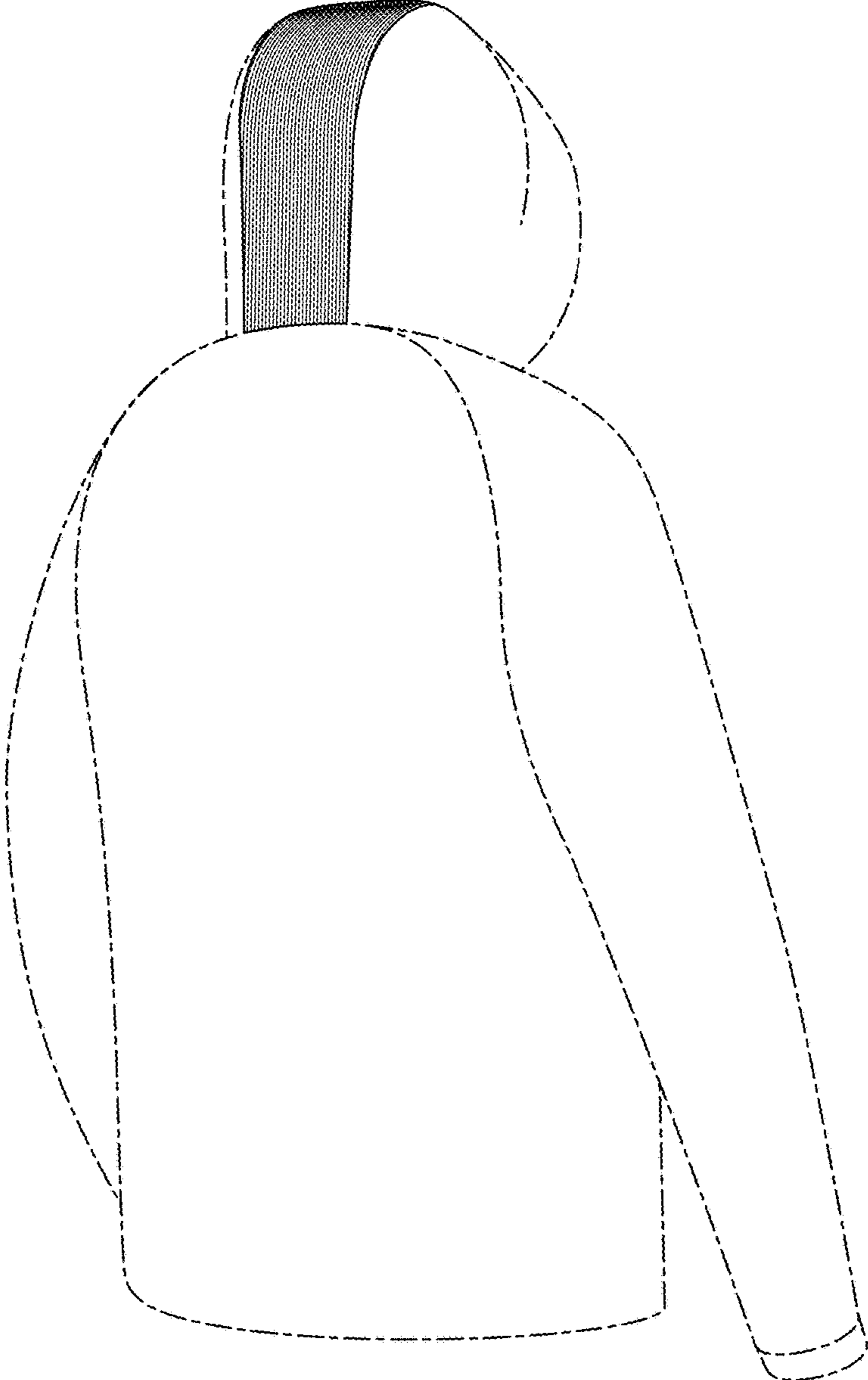


FIG. 1

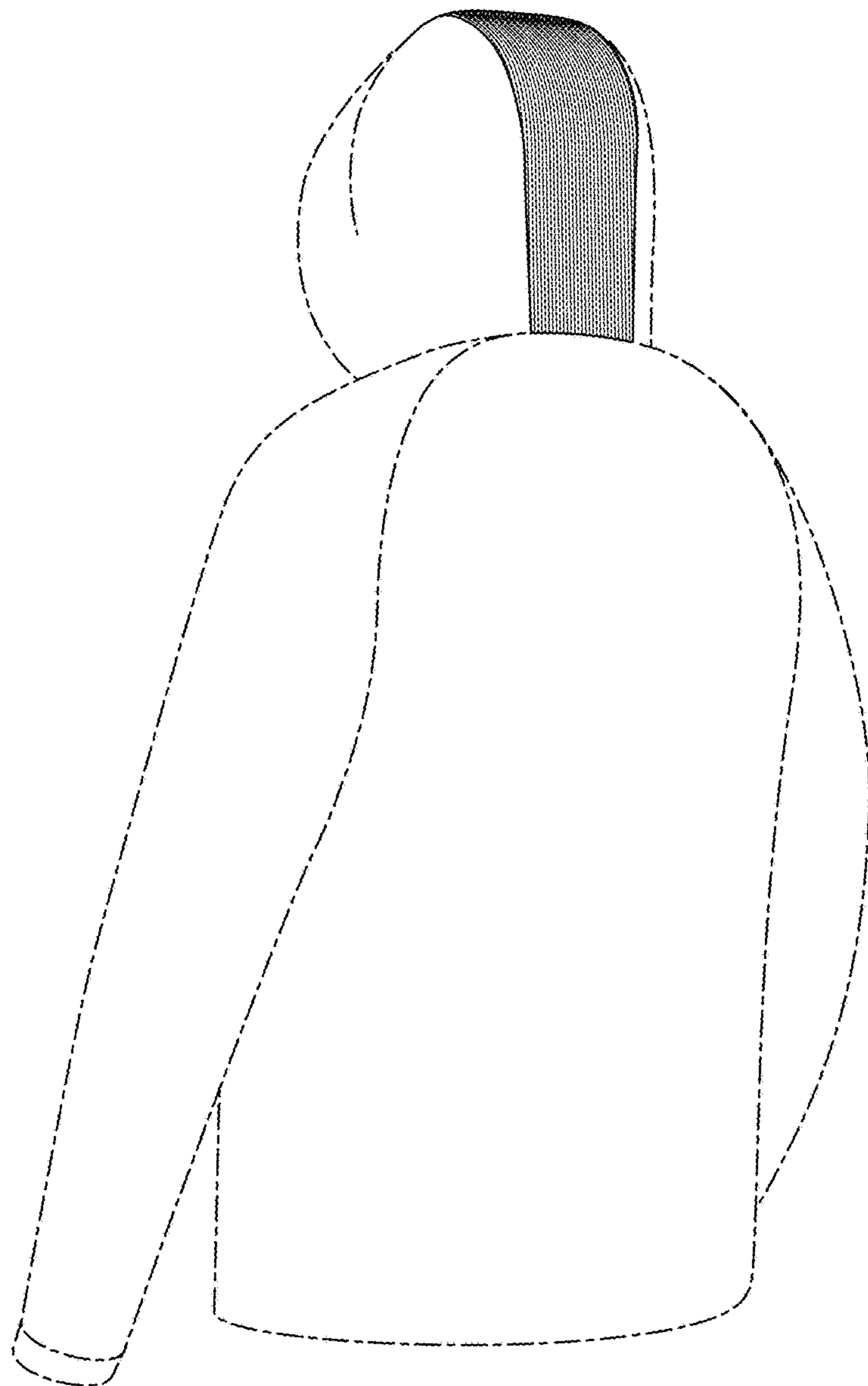


FIG. 2

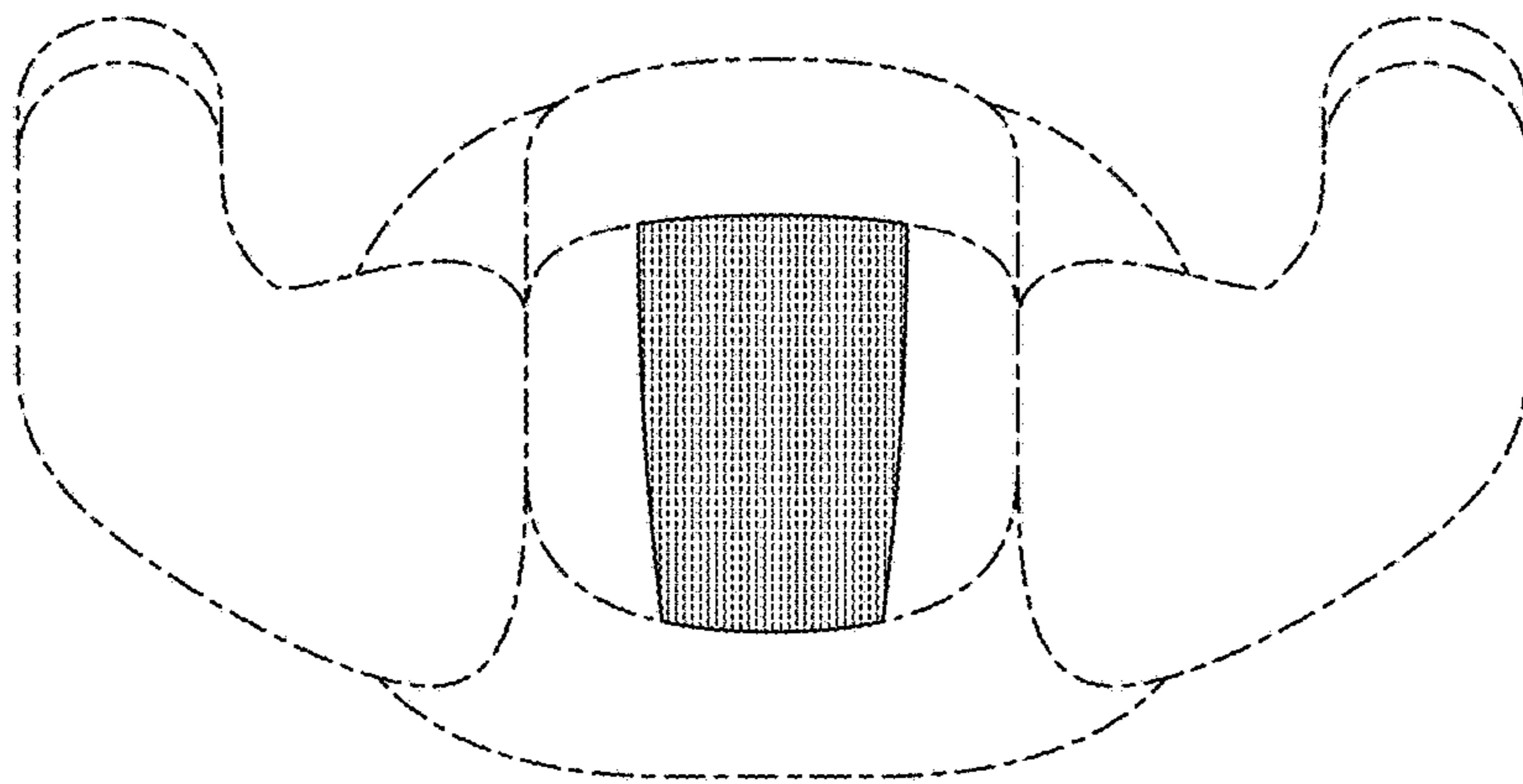


FIG. 3

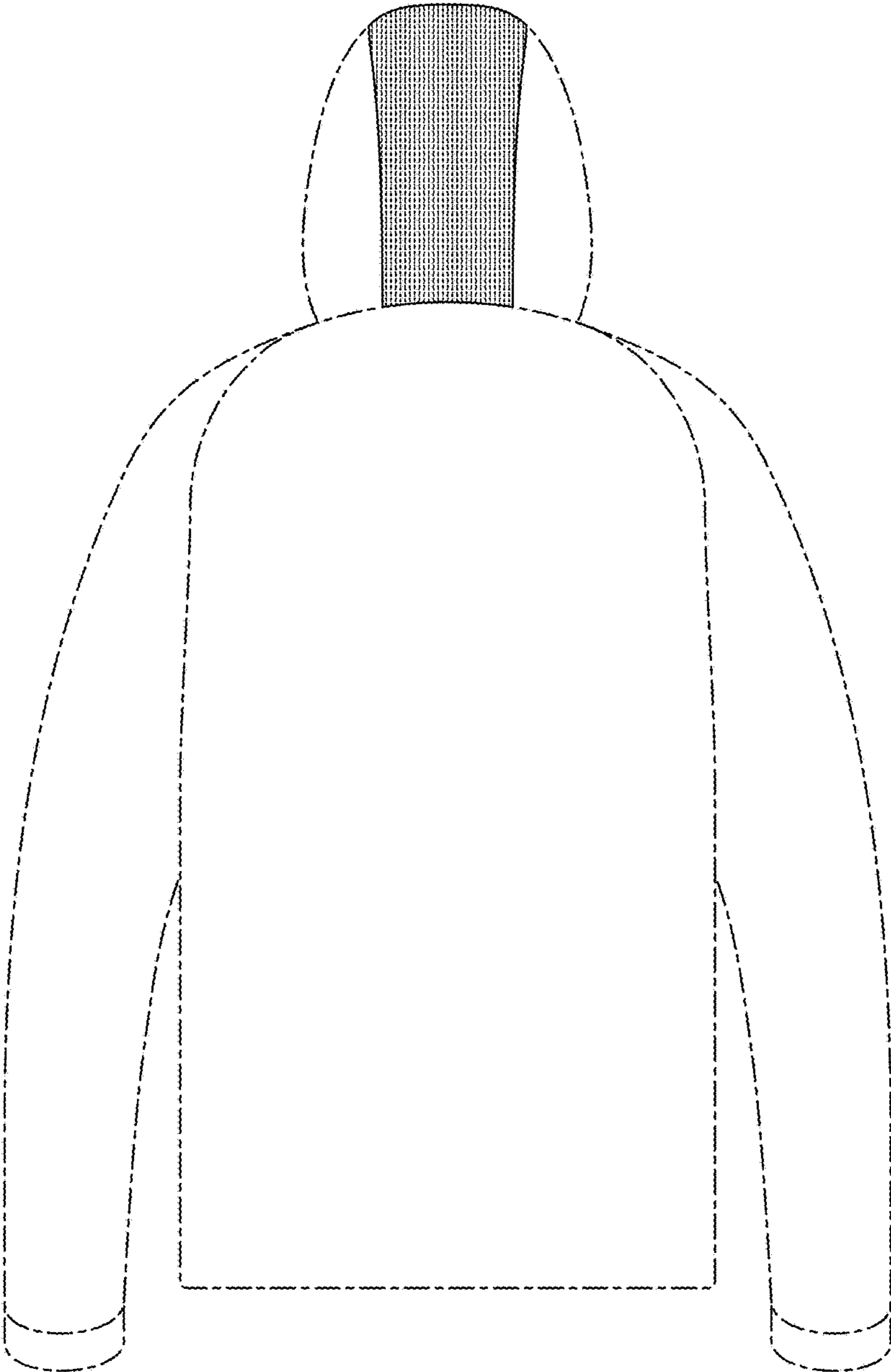


FIG. 4

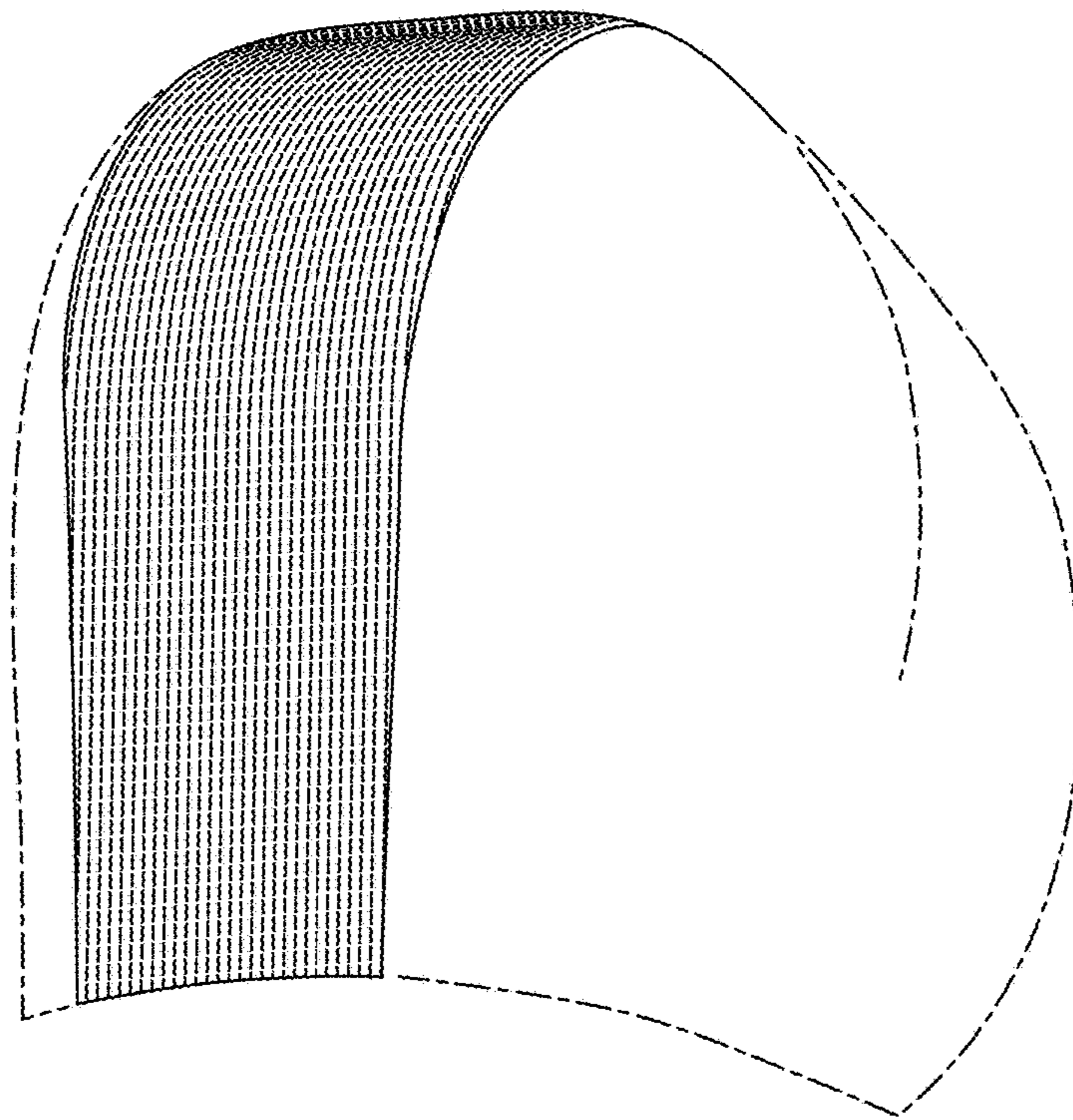


FIG. 5

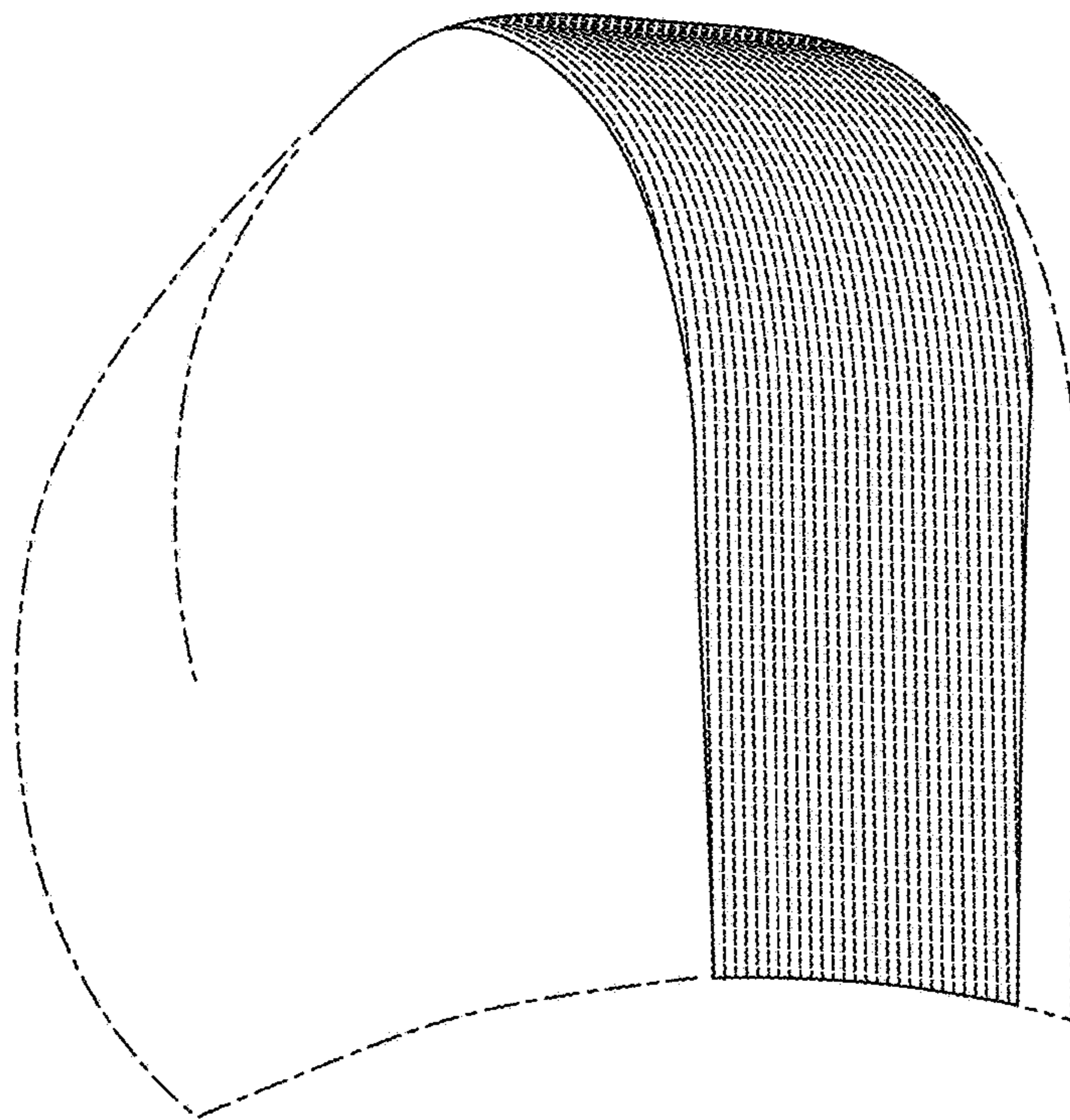


FIG. 6

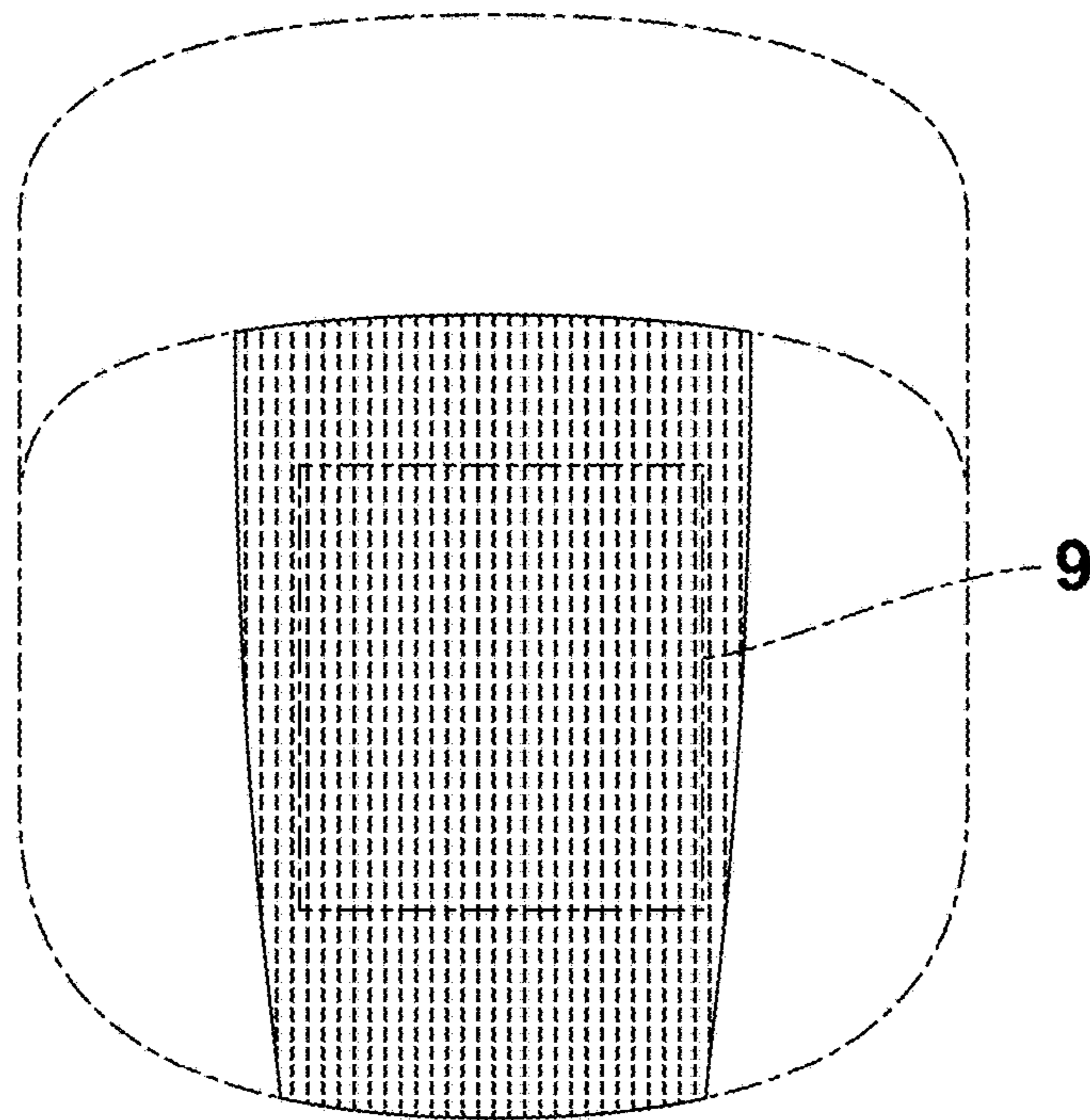


FIG. 7

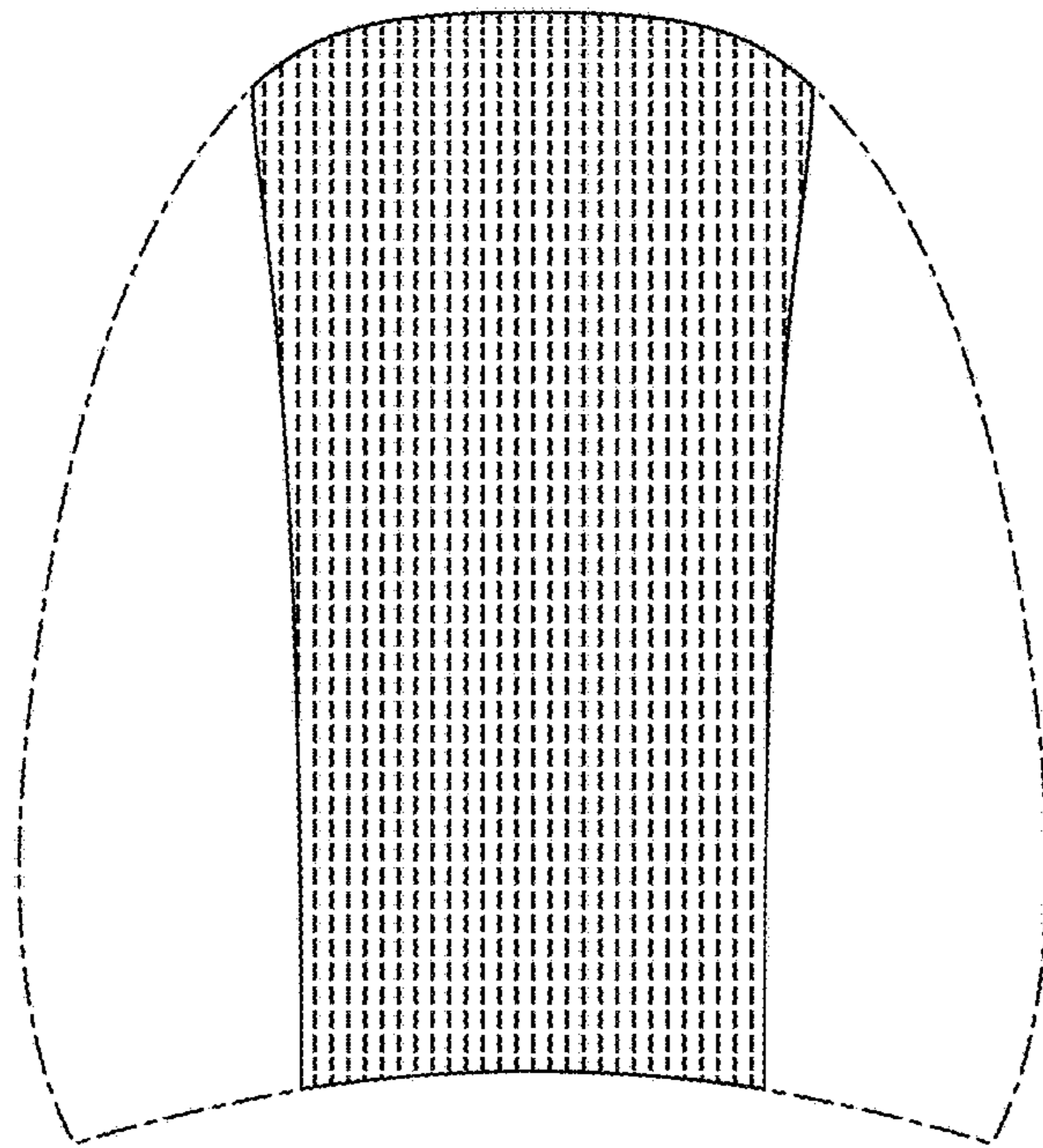


FIG. 8

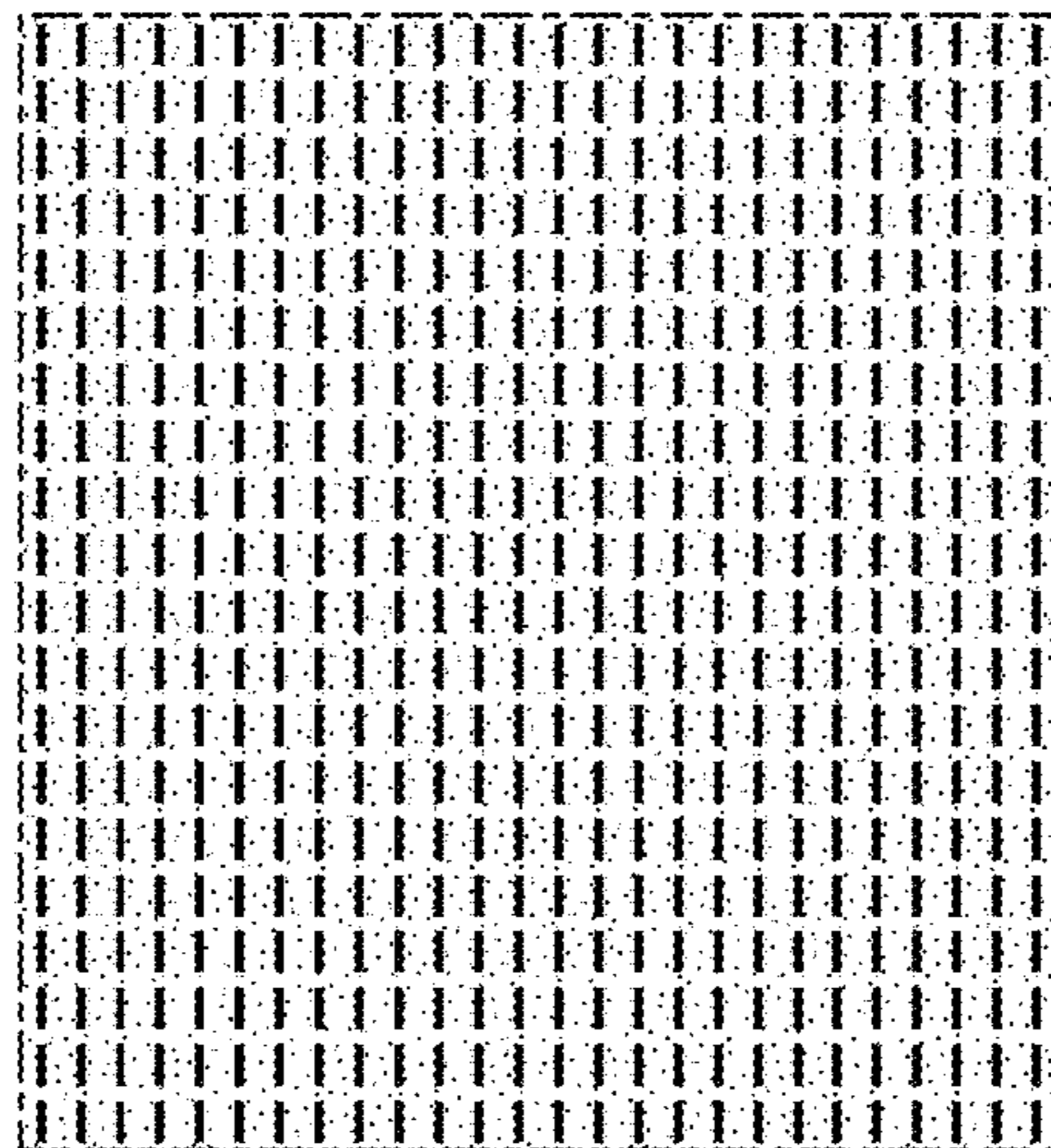


FIG. 9