



US00D872969S

(12) **United States Design Patent**
Stewart

(10) **Patent No.:** **US D872,969 S**
(45) **Date of Patent:** **** Jan. 21, 2020**

(54) **TACTICAL BELT**

(71) Applicant: **It's Inspired Design LLC**, Canby, OR (US)

(72) Inventor: **Samuel Lee Stewart**, Canby, OR (US)

(73) Assignee: **IT'S INSPIRED DESIGN LLC**, Canby, OR (US)

(**) Term: **15 Years**

(21) Appl. No.: **29/637,661**

(22) Filed: **Feb. 20, 2018**

(51) **LOC (12) Cl.** **02-07**

(52) **U.S. Cl.**
USPC **D2/629; D3/226**

(58) **Field of Classification Search**
USPC D3/215, 221, 224, 226, 228; 224/197, 224/236, 242, 660, 664, 587, 931, 682,
(Continued)

(56) **References Cited**

U.S. PATENT DOCUMENTS

6,668,434 B2 12/2003 Casebolt et al.
D495,853 S 9/2004 Nelson
(Continued)

OTHER PUBLICATIONS

Amazon.com, "Fairwin Tactical Rigger's Belt, Military Style Webbing Riggers Nylon Web Belt with Heavy-Duty Quick-Release Metal Buckle and Triangular D-Ring," [https://www.amazon.com/Fairwin-Tactical-Heavy-Duty-Quick-Release-Triangular/dp/B0752PC78/ref=ar_1_19?ie=UTF8&qid=1511852096&ar=8-18& . . .](https://www.amazon.com/Fairwin-Tactical-Heavy-Duty-Quick-Release-Triangular/dp/B0752PC78/ref=ar_1_19?ie=UTF8&qid=1511852096&ar=8-18&...), 7 pages, at least as early as Nov. 27, 2017.

(Continued)

Primary Examiner — Catherine R Oliver-Garcia

(74) *Attorney, Agent, or Firm* — Law Office of Karen Dana Oster, LLC

(57) **CLAIM**

The ornamental design for a tactical belt, as shown and described.

DESCRIPTION

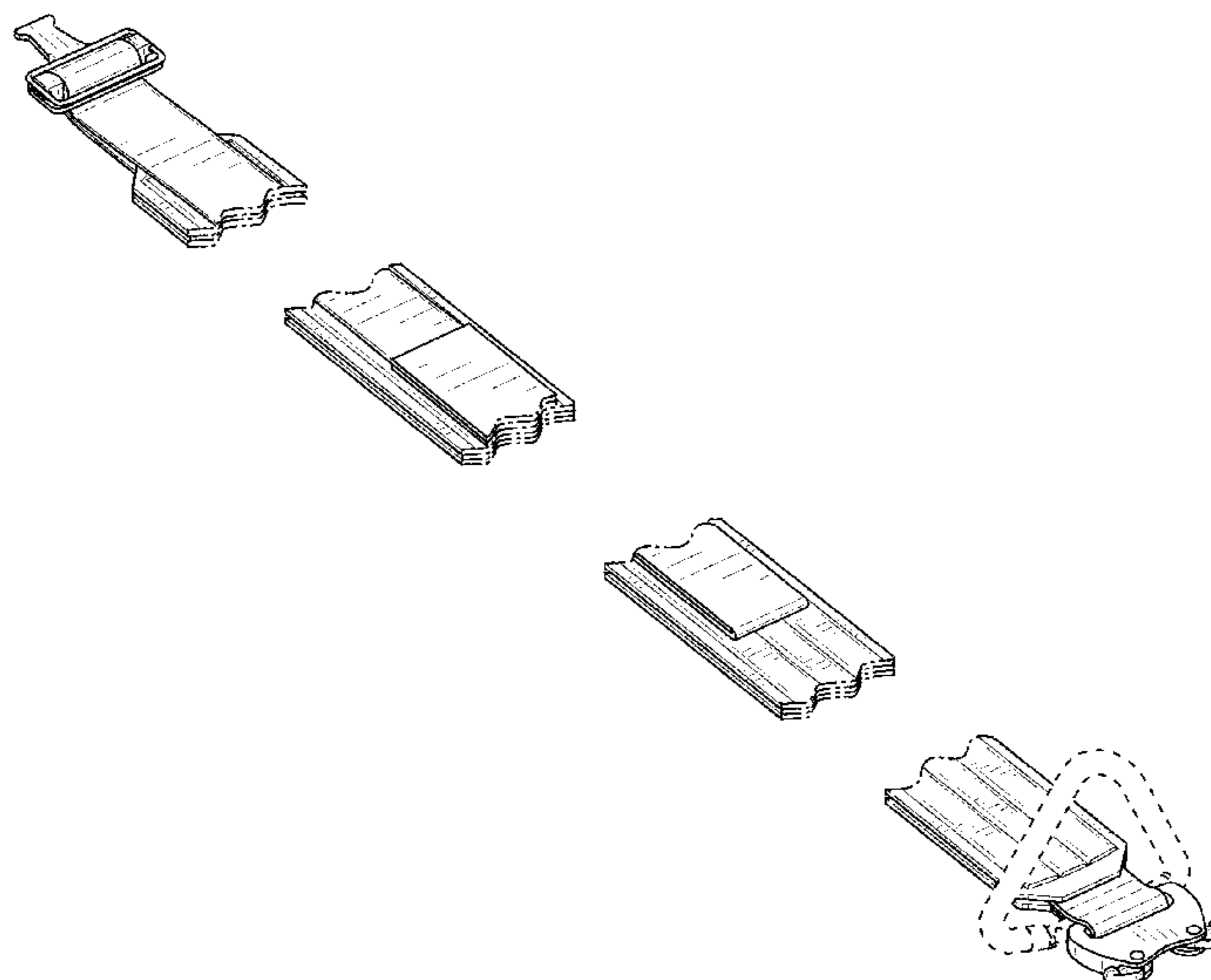
FIG. 1 is a top perspective view of the tactical belt showing my new design in a flat configuration;
FIG. 2 is a bottom perspective view thereof;
FIG. 3 is a top view thereof;
FIG. 4 is a bottom view thereof;
FIG. 5 is a side view thereof;
FIG. 6 is an opposite side view thereof;
FIG. 7 is a rear view thereof;
FIG. 8 is a front view thereof;
FIG. 9 is an enlarged detail view from FIG. 2;
FIG. 10 is an enlarged view of FIG. 7;
FIG. 11 is an enlarged view of FIG. 8;
FIG. 12 is a perspective view of the tactical belt of my new design with both ends connected to form a loop configuration;
FIG. 13 is a front view thereof;
FIG. 14 is a rear view thereof;
FIG. 15 is a first side view thereof;
FIG. 16 is a second side view thereof;
FIG. 17 is a top view thereof; and,
FIG. 18 is a bottom view thereof.

The tactical belt is shown in two configurations. The process and/or period in which the tactical belt transitions between these two configurations form(s) no part of the claimed design.

The tactical belt is shown with symbolic breaks in its length. The appearance of any portion of the article between the break lines forms no part of the claimed design.

The broken lines in the figures are for the purpose of illustrating portions of the tactical belt or an optional attachment ring and form no part of the claimed design.

1 Claim, 13 Drawing Sheets



(58) **Field of Classification Search**

USPC 224/681, 679, 676, 677, 901.4, 901.6,
224/914; 2/300, 311–312
CPC .. A41F 9/002; A41F 9/025; A45F 5/02; A45F
5/021; A45F 2200/0508; A45F
2200/0566; A45F 2200/0575; A45F
2200/0591; A61F 5/028; F41C 33/02;
F41C 33/046; F42B 39/02
See application file for complete search history.

(56) **References Cited**

U.S. PATENT DOCUMENTS

D500,393	S	12/2004	Beacham et al.	
D543,025	S *	5/2007	Cicione	D3/224
7,373,701	B2	5/2008	Coulombe et al.	
D613,500	S	4/2010	Overton	
D656,297	S	3/2012	Christian	
8,181,319	B2	5/2012	Johnson et al.	
8,561,268	B2	10/2013	Hortnagl	
D716,543	S *	11/2014	McMullen	D3/224
9,339,102	B2 *	5/2016	Iosilevich	A45F 5/021
9,578,929	B2	2/2017	Hung	
9,581,414	B1	2/2017	Mironski	
D850,101	S *	6/2019	Mironski	D3/224
D850,757	S *	6/2019	Jackson	D2/628
2012/0180197	A1	7/2012	Cosky	

OTHER PUBLICATIONS

Amazon.com, “Fusion Men’s Trousers Type D “Era” Belt Pak,” https://www.amazon.com/Fusion-Tactical-Military-Police-Trouser/dp/B00RLN4BFO/ref=pd_sim_468_5?_encoding=UTF8&psc=, 6 pages, at least as early as Nov. 27, 2017.
Amazon.com, “KingMoore Men’s Tactical Belt Heavy Duty Webbing Belt Adjustable Military Style Nylon Belts with Metal Buckle,” 7 pages, at least as early as Nov. 27, 2017.
Amazon.com, “Klik Belt, World’s Strongest Belt, No Holes, Precise fit. Clean Style,” 8 pages, at least as early as Nov. 27, 2017.
Amazon.com, “Tactical Belt Heavy Duty Adjustable Security Tactical Molle Belt with Free Strap for Hunting Equipment and Outdoor Activity,” 4 pages, at least as early as Nov. 27, 2017.
Amazon.com, Tactical-Waistbelt-Adjustable-Military-Webbing/dp/B075H96KSJ/ref=pd_day0_200_2?_encoding=UTF8&refRID=87CHDDCA . . . , 7 pages, at least as early as Nov. 27, 2017.
Amazon.com, “Wolf Tactical Heavy Duty Rigger’s Belt—Stiffened 2-Ply Emergency Rescue Belt for Concealed Carry EDC Survival Wilderness Hunting CCW Combat Duty,” 6 pages, at least as early as Nov. 27, 2017.
Amazon.com, “One Tigris Padded Patrol Belt” https://www.amazon.com/dp/B011R8SNMU/ref=sspa_dk_detail_0?psc=1; 7 pages, at least as early as Nov. 27, 2017.

* cited by examiner

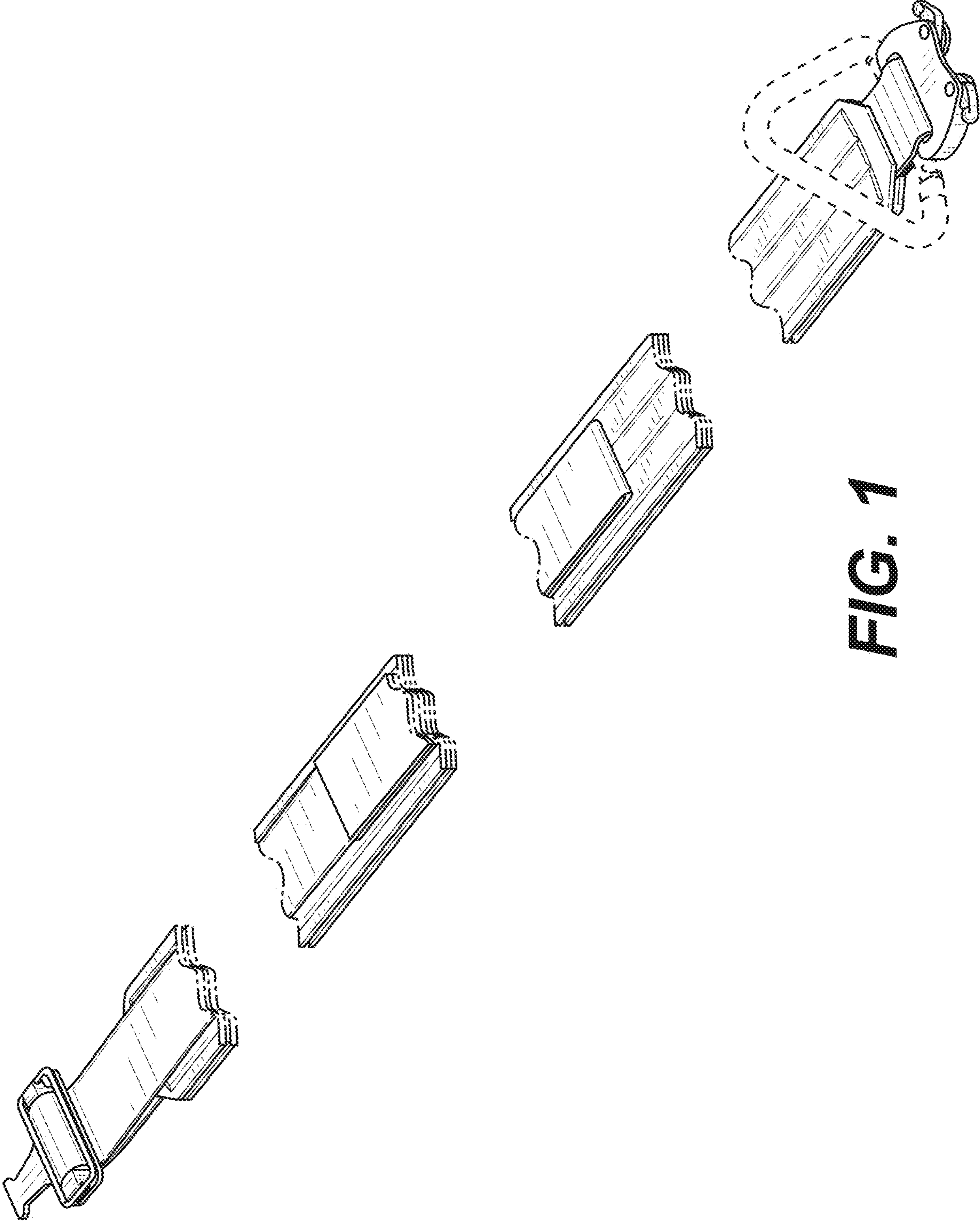
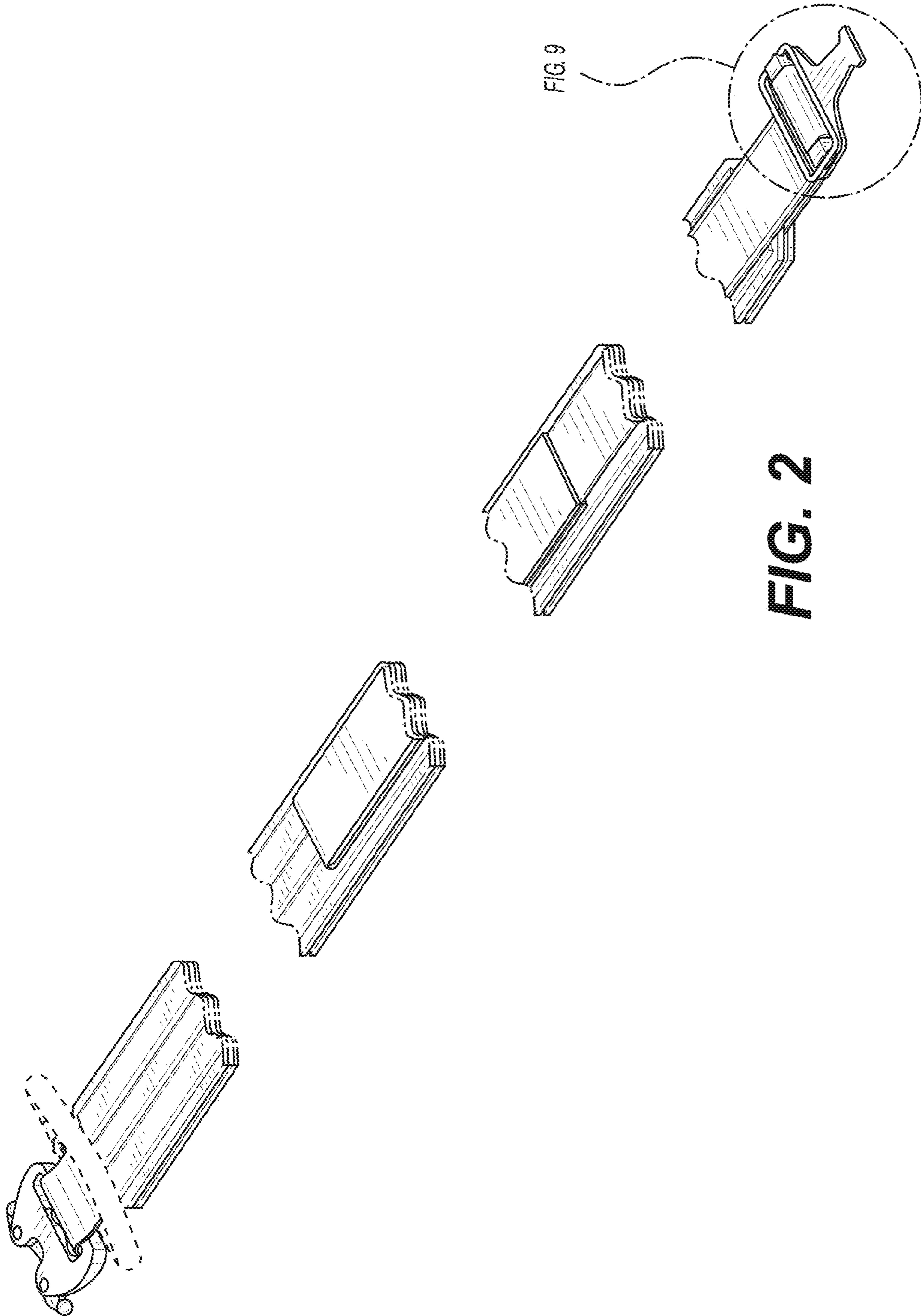


FIG. 1



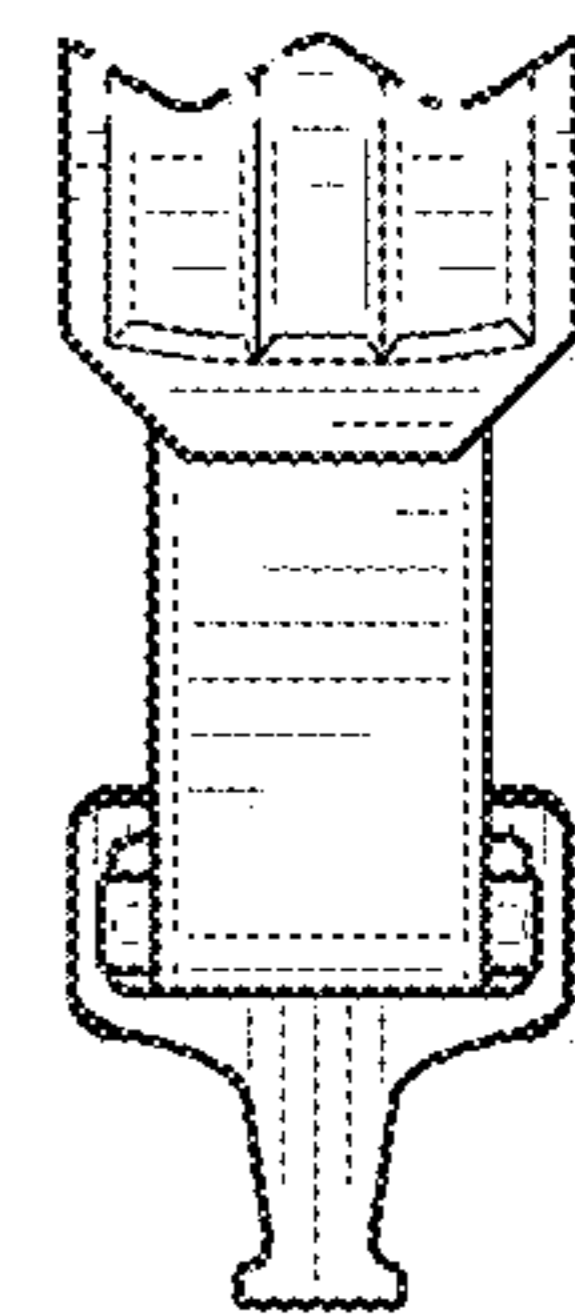
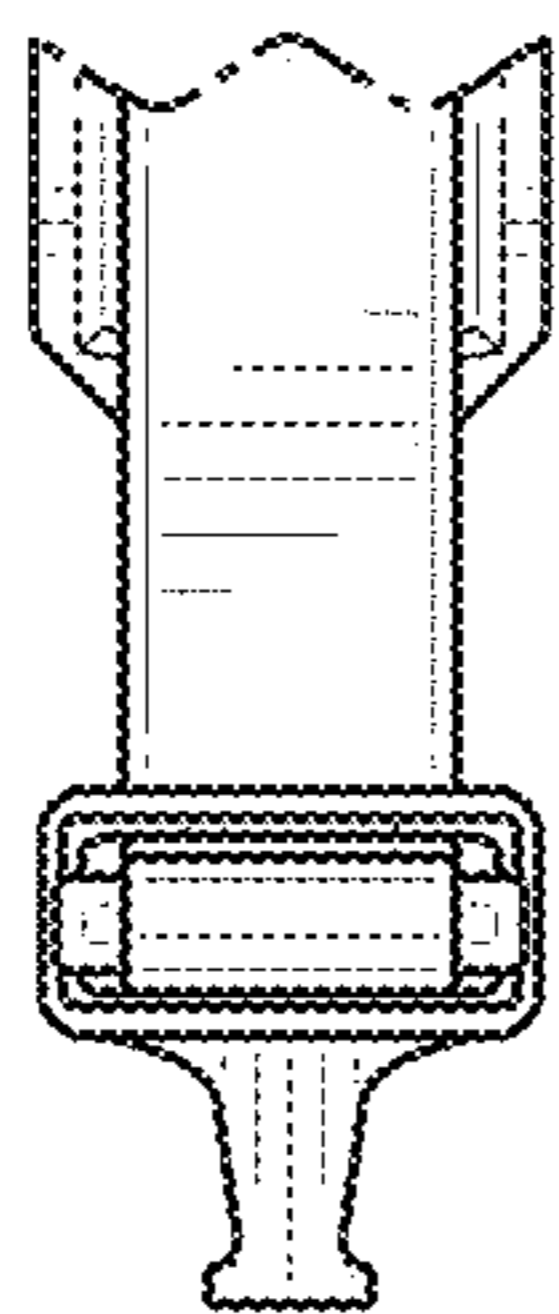
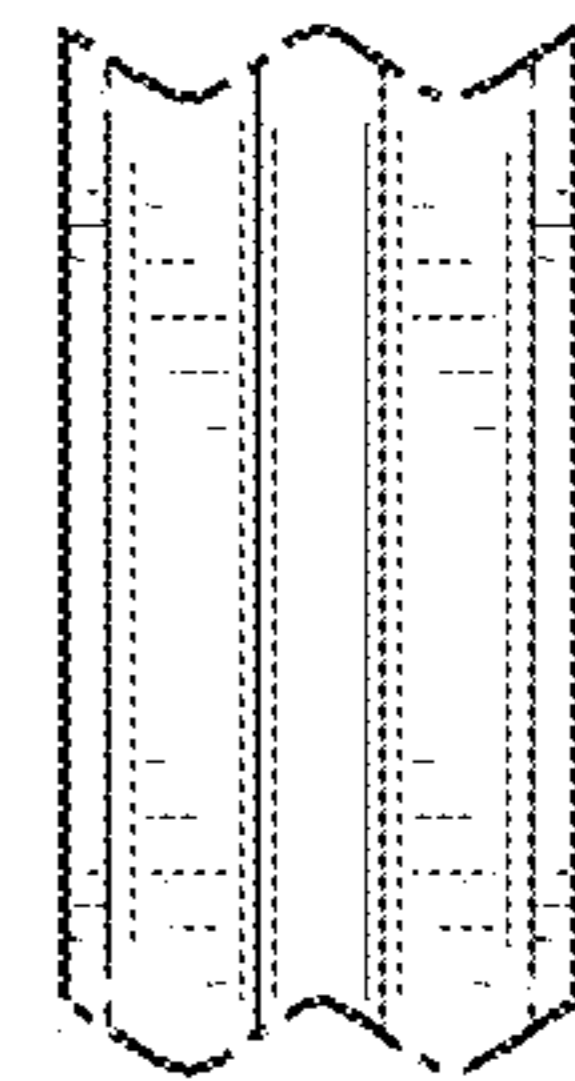
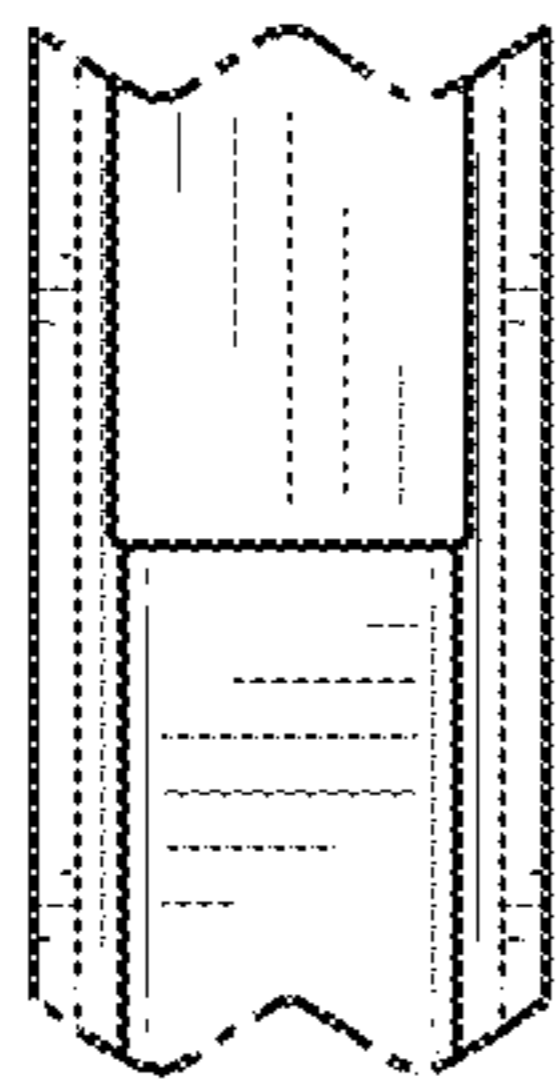
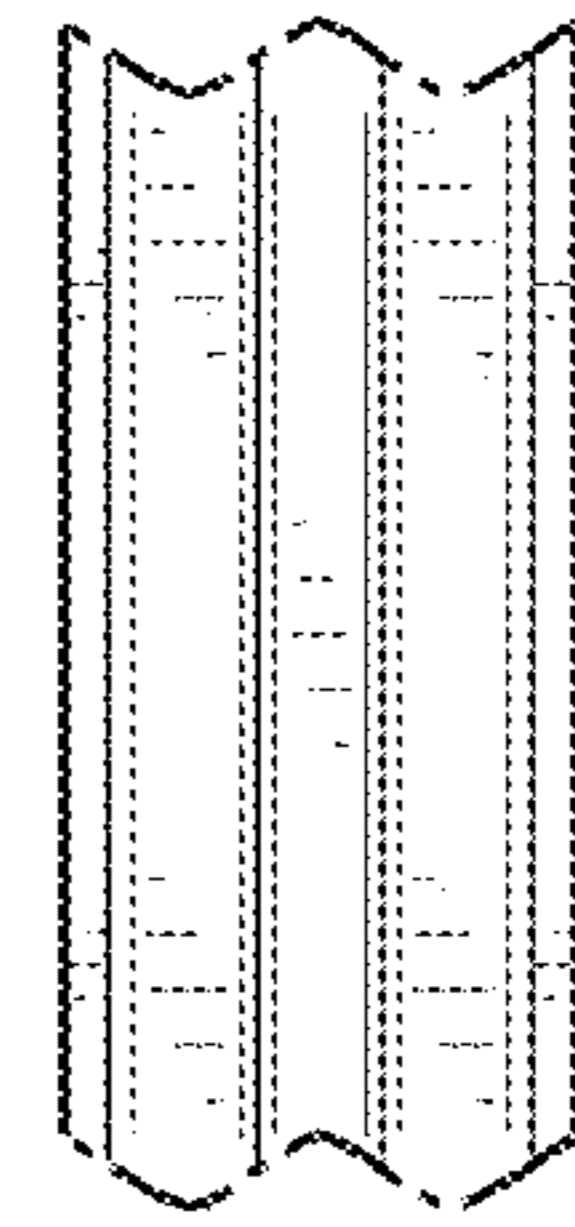
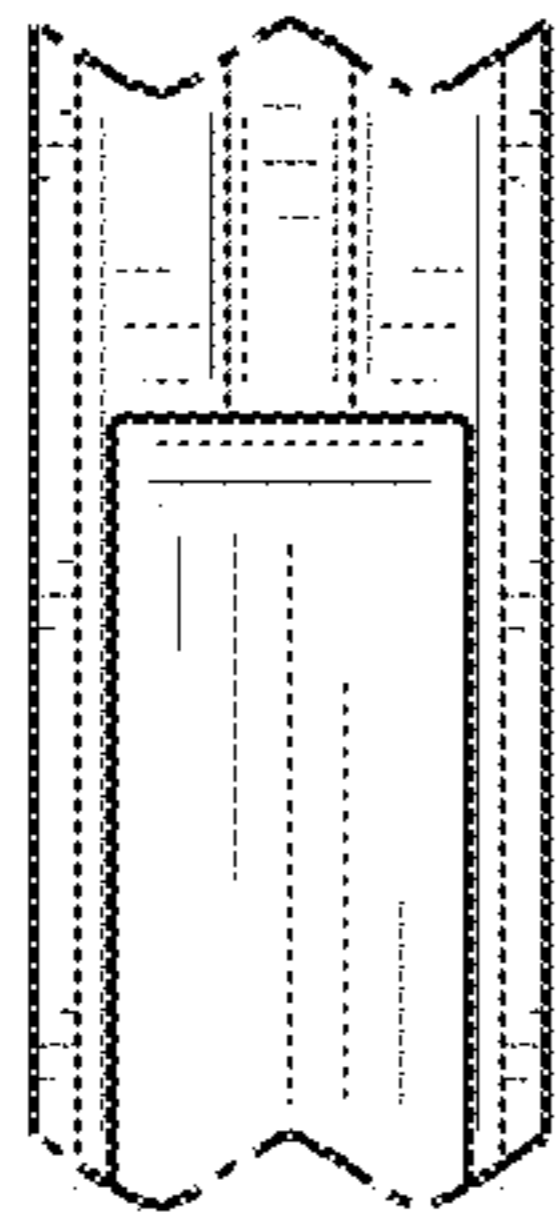
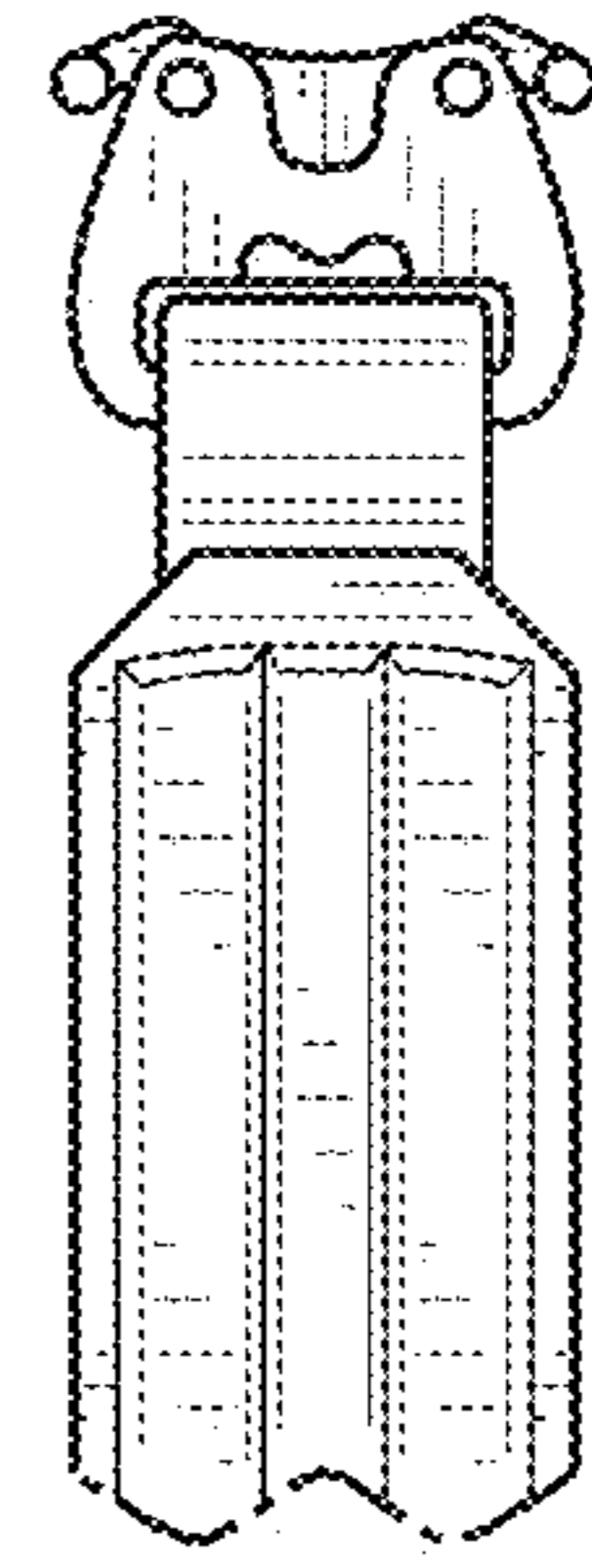
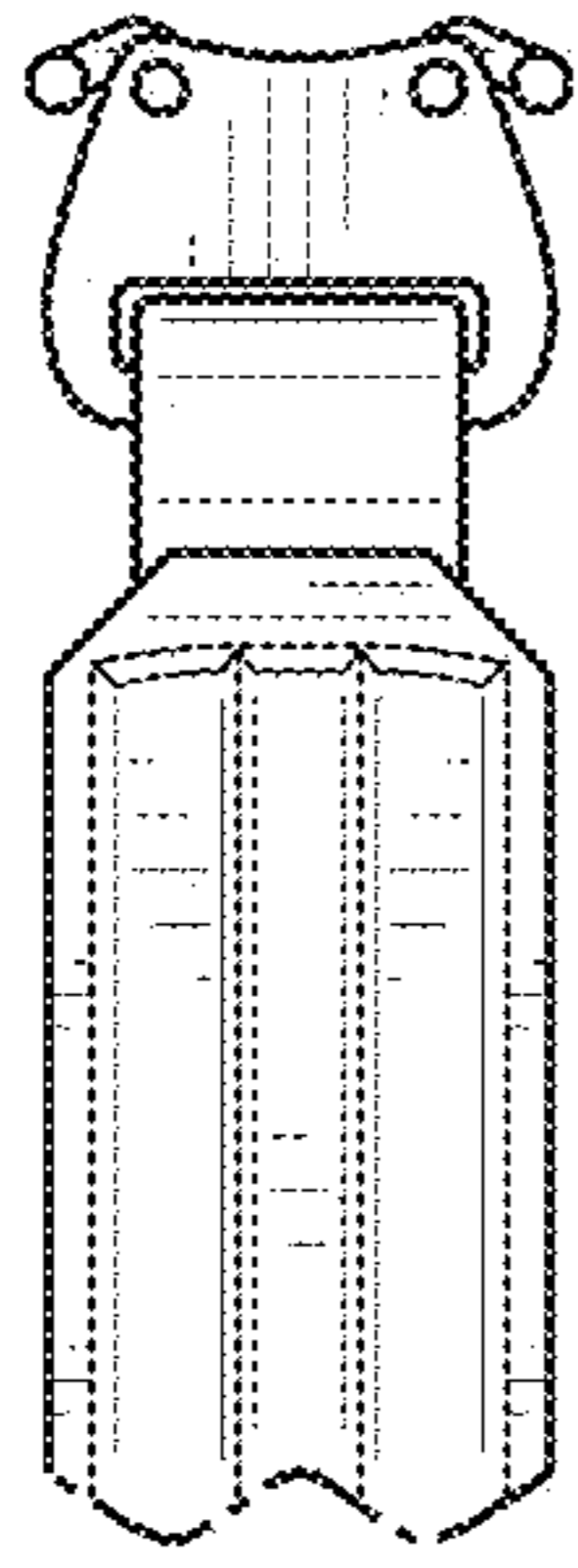


FIG. 3

FIG. 4

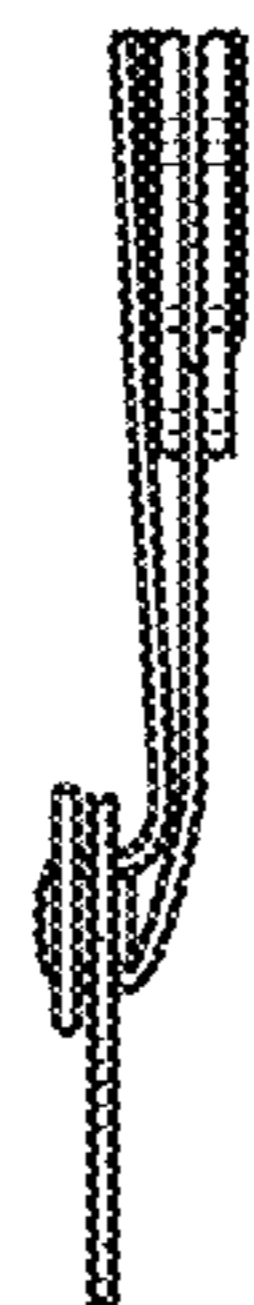
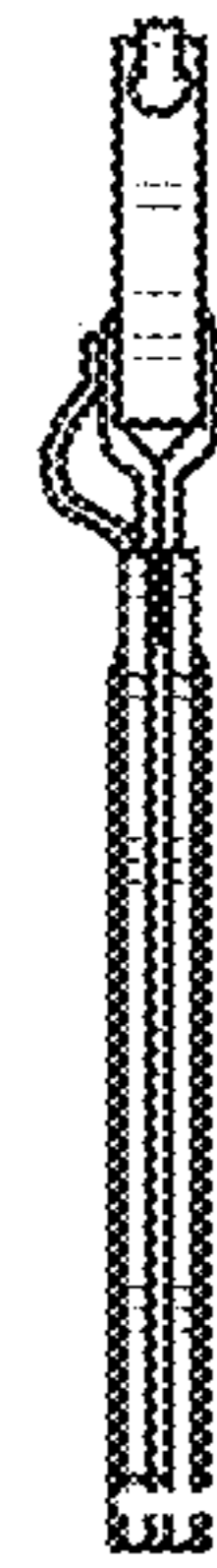
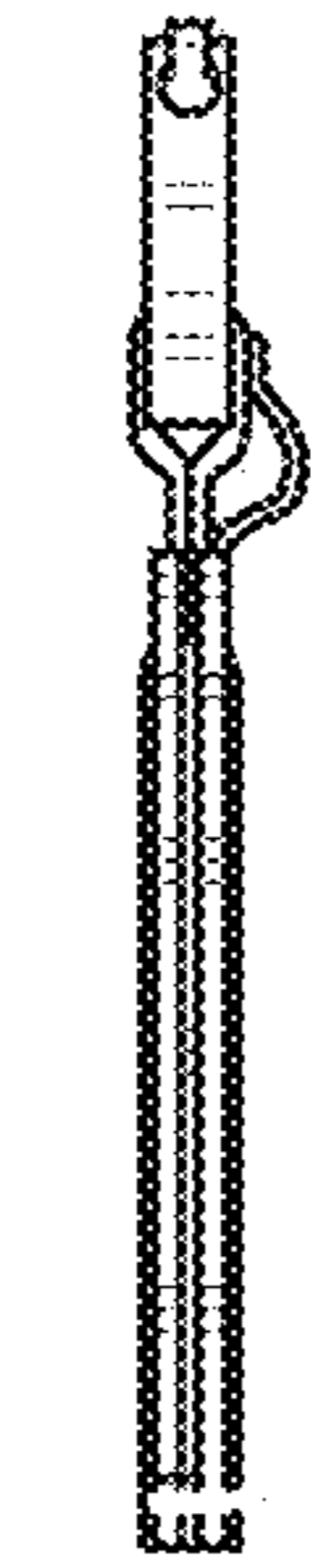


FIG. 5

FIG. 6

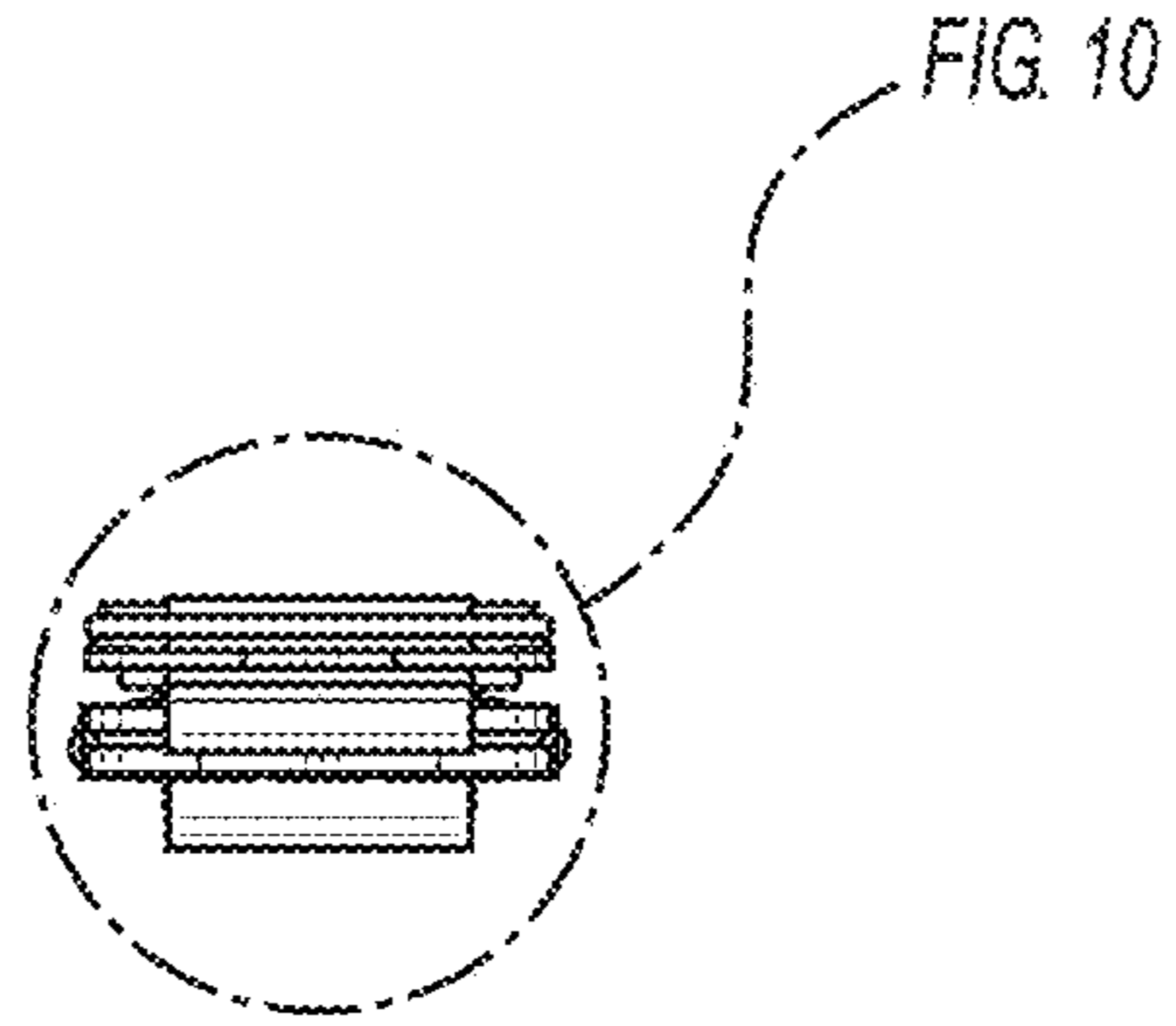


FIG. 7

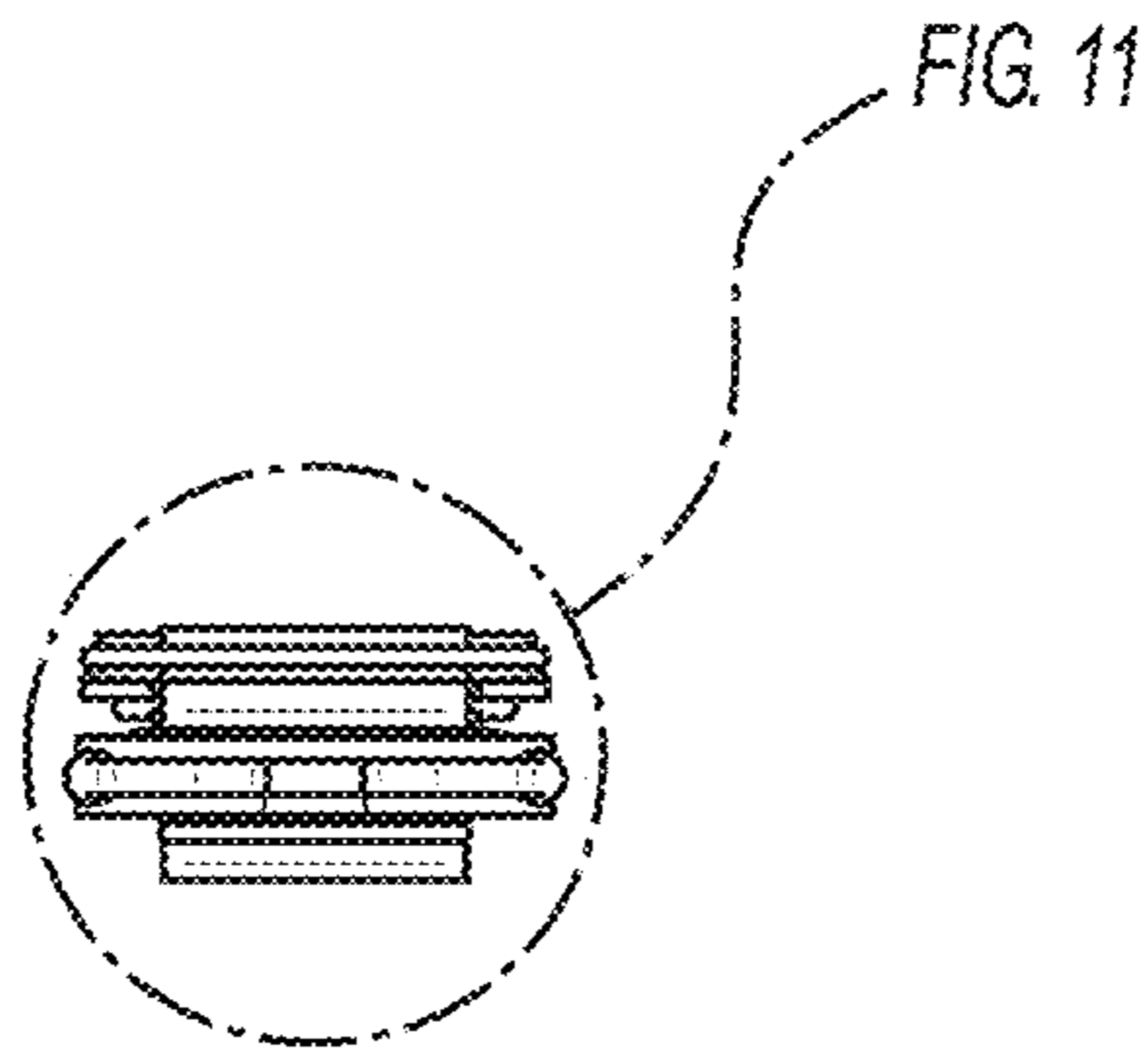


FIG. 8

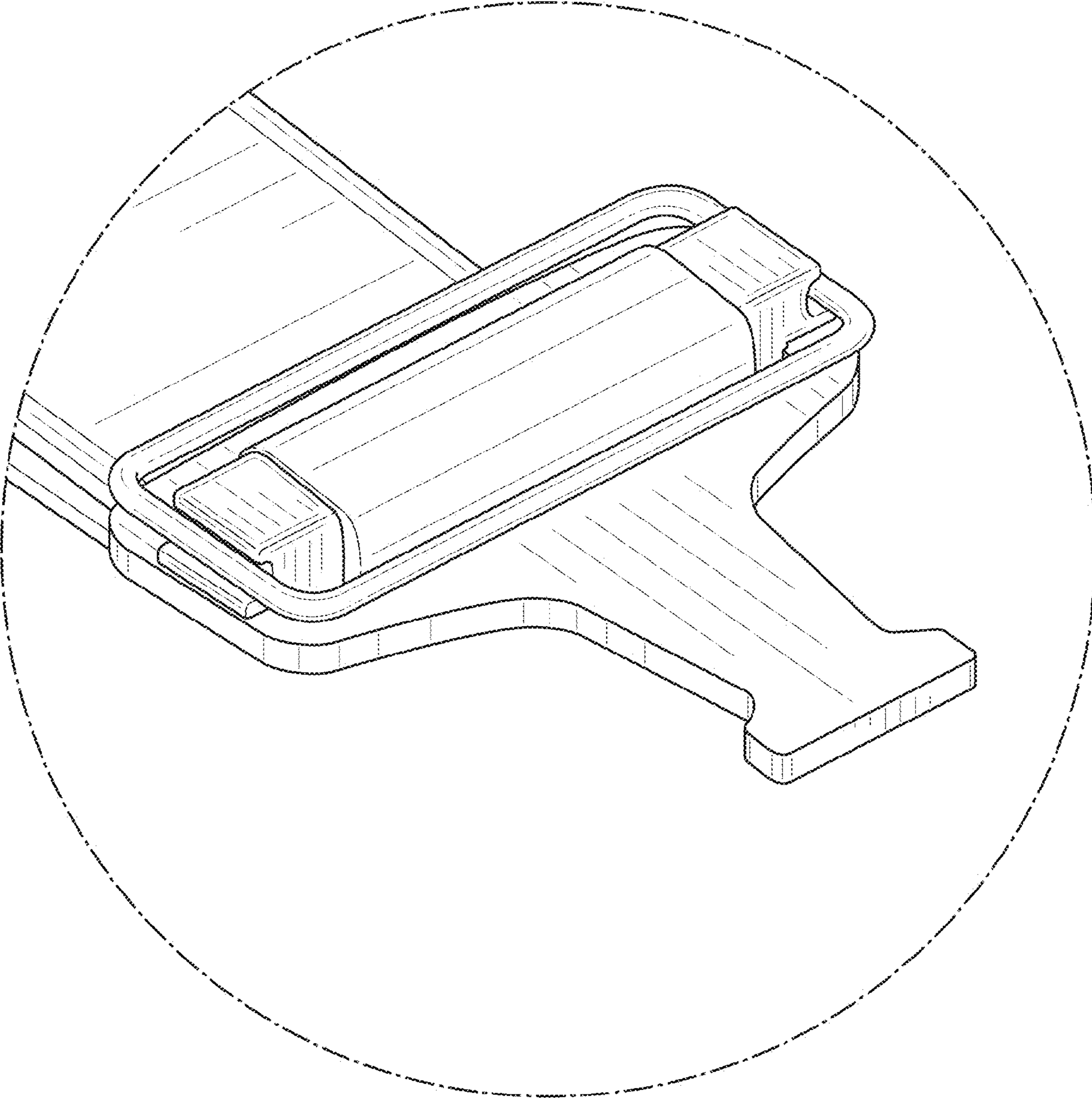


FIG. 9

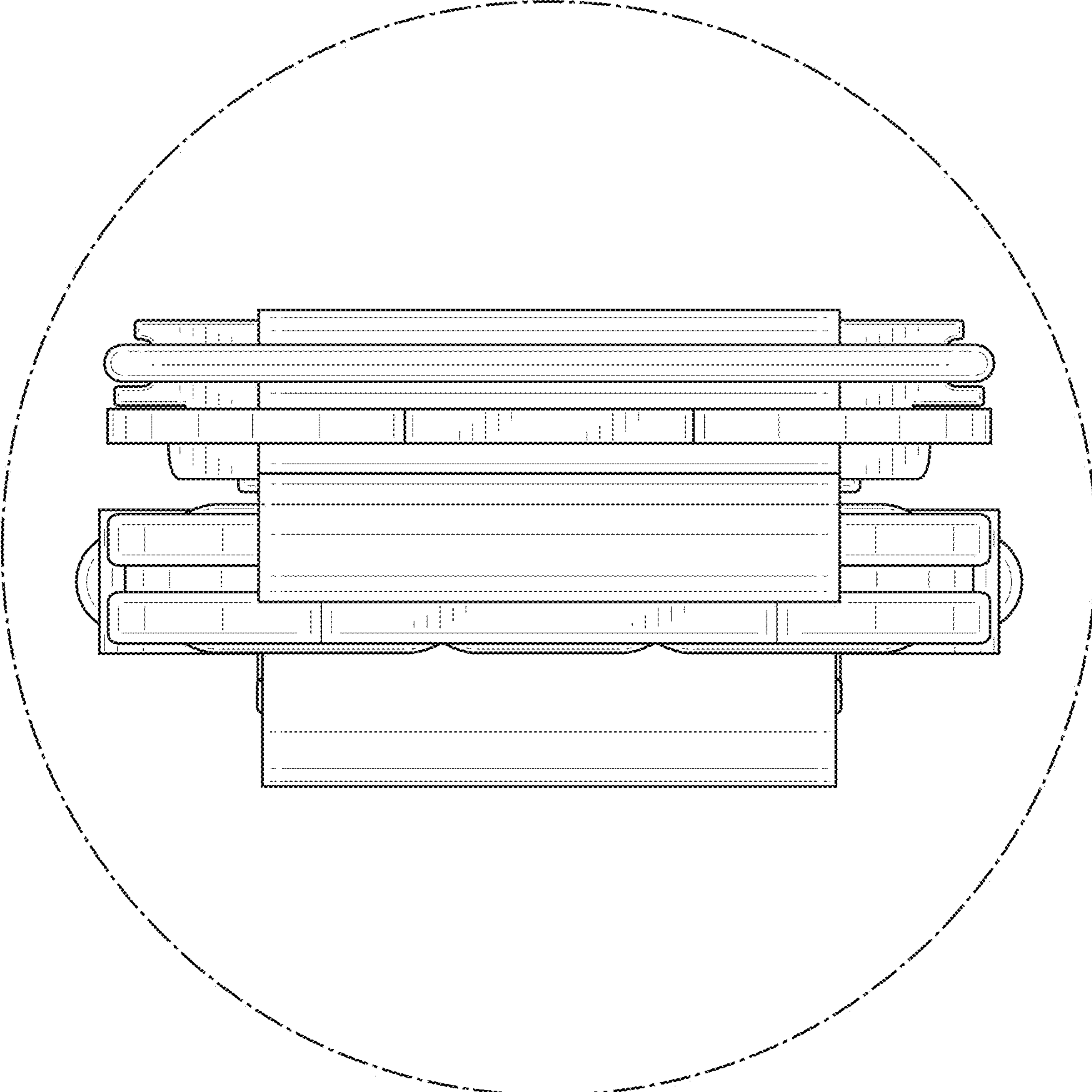


FIG. 10

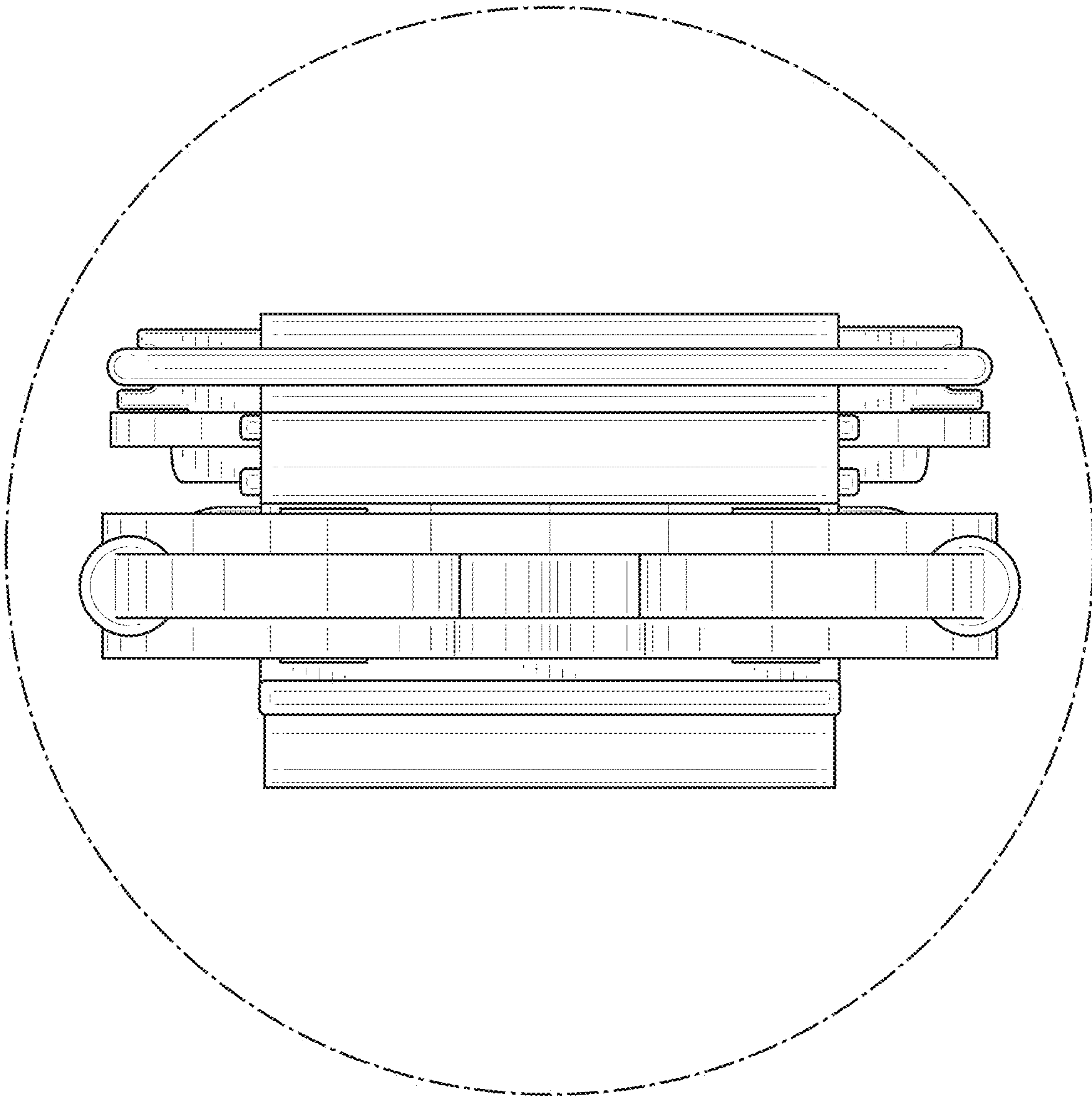


FIG. 11

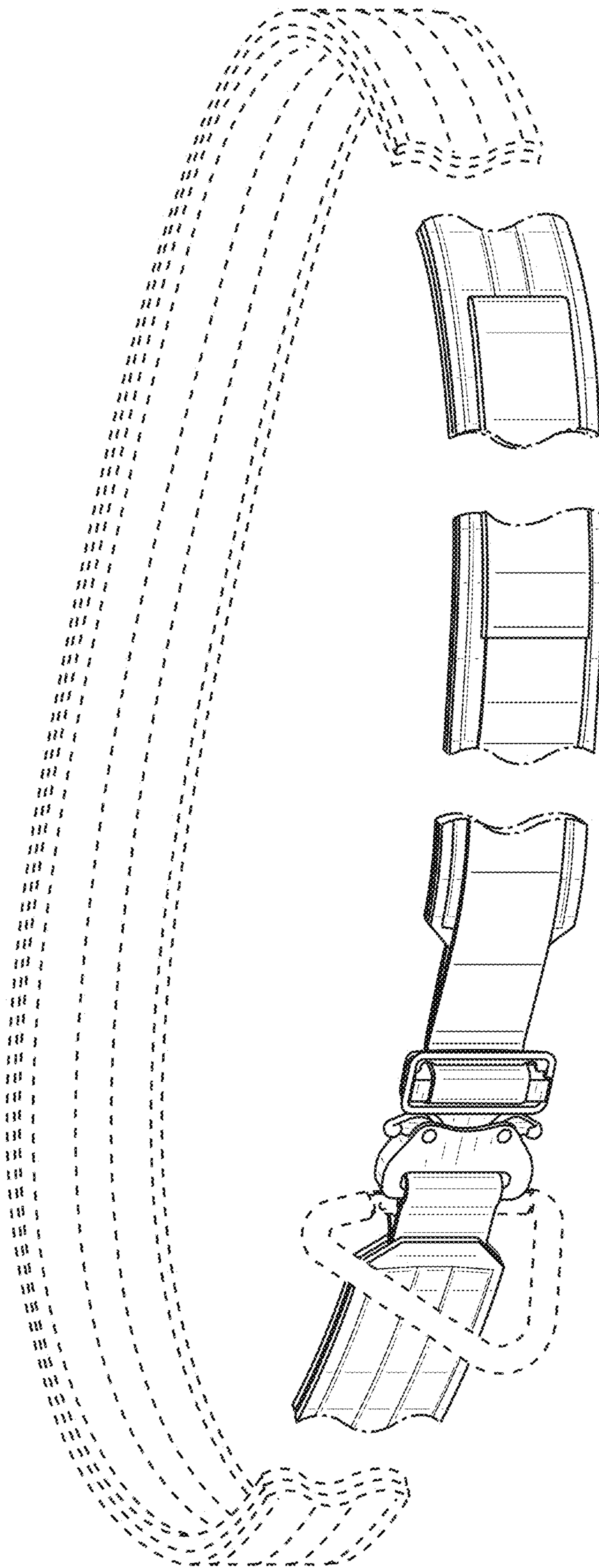


FIG. 12

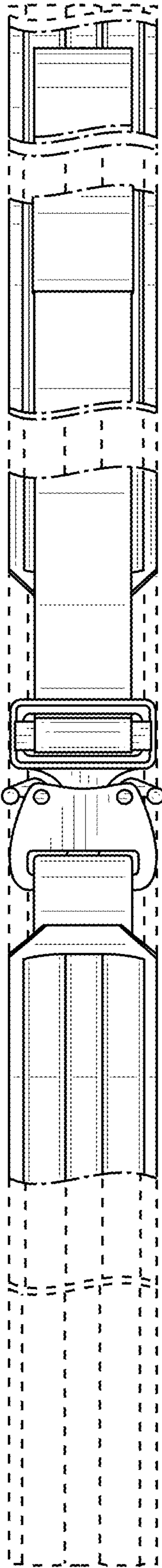


FIG. 13

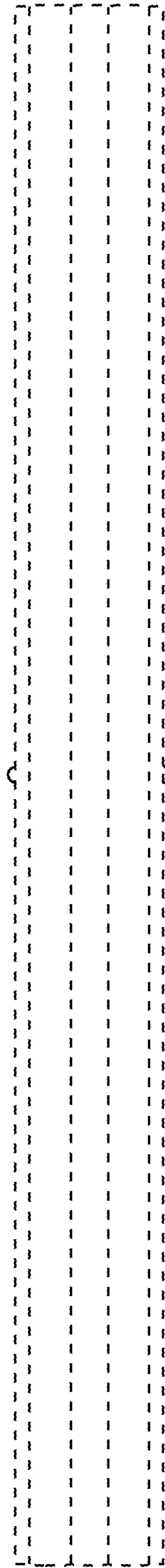


FIG. 14

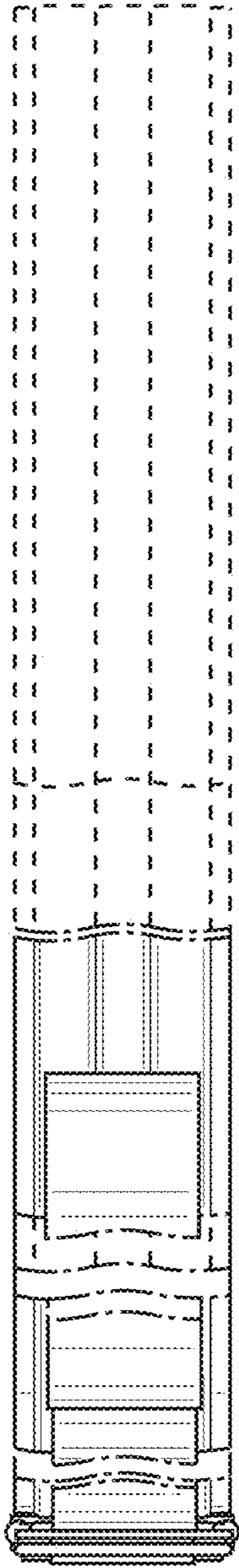


FIG. 15

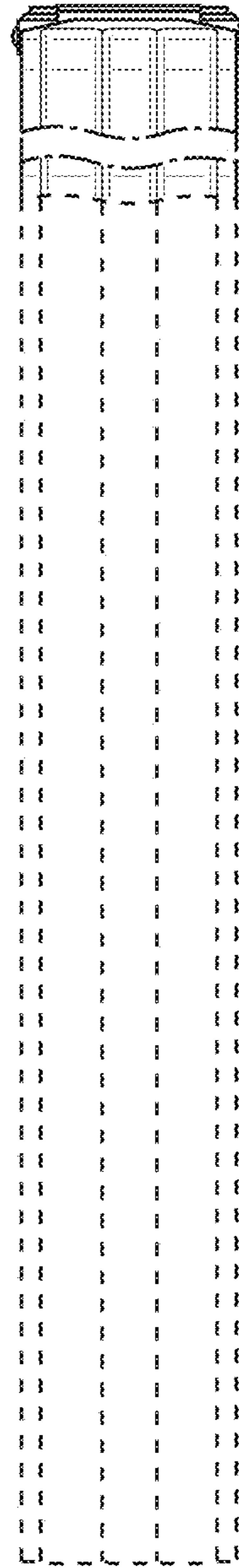
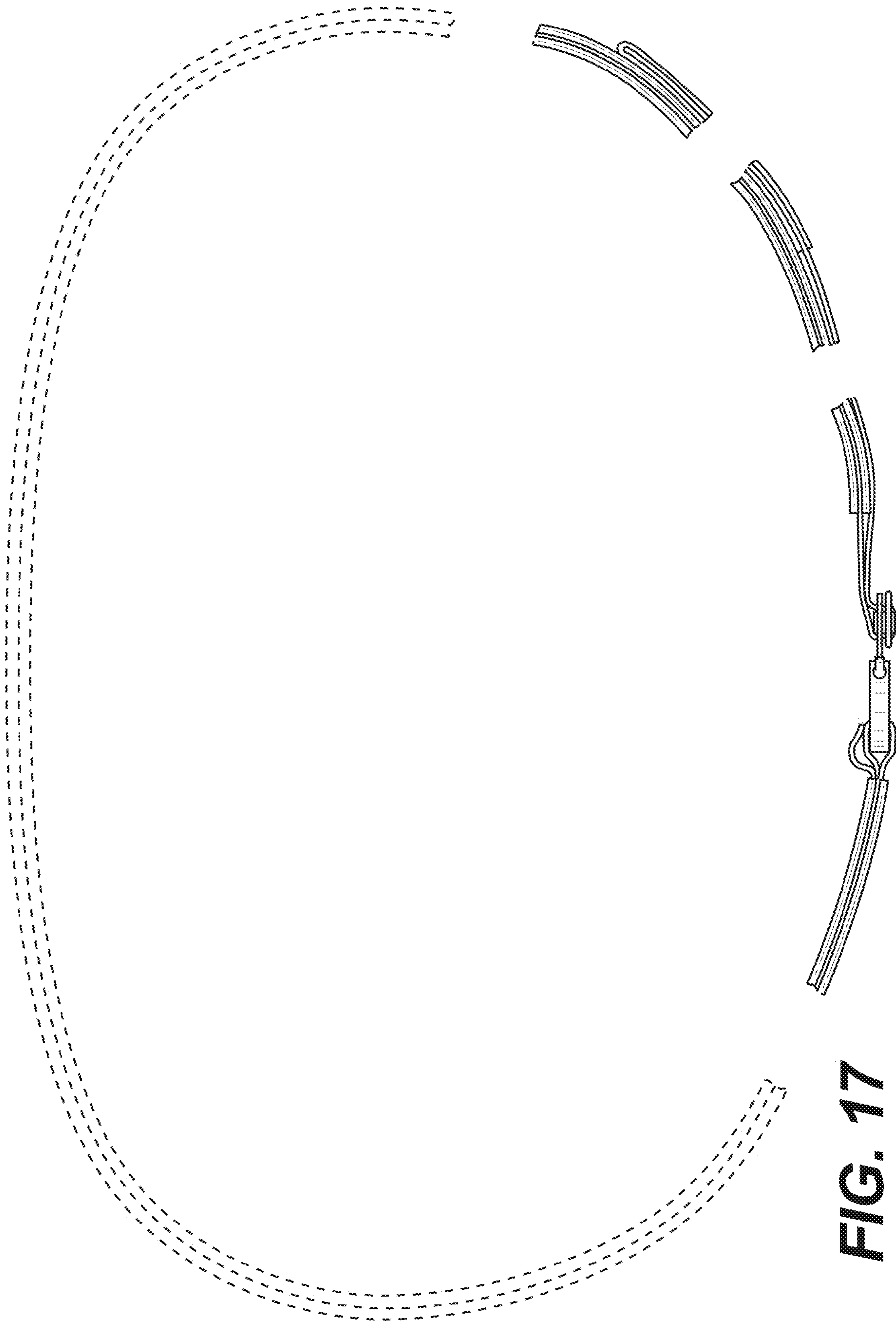


FIG. 16



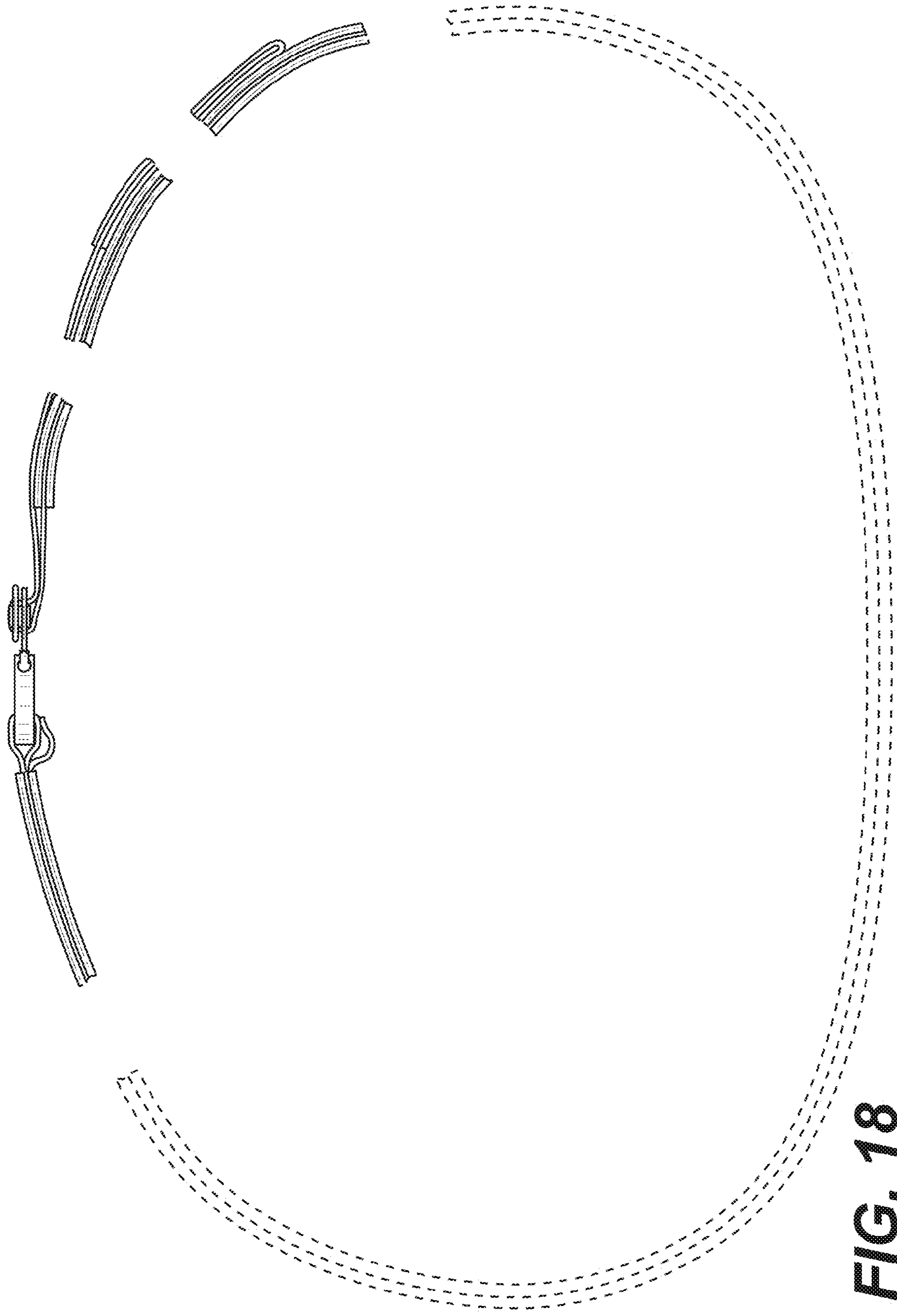


FIG. 18