



US00D872958S

(12) **United States Design Patent** (10) **Patent No.:** **US D872,958 S**
Chen (45) **Date of Patent:** **** Jan. 14, 2020**

(54) **SENSOR TRASH CAN**
(71) Applicant: **EKO DEVELOPMENT LTD.,**
Guangzhou (CN)
(72) Inventor: **Yizhi Chen,** Guangzhou (CN)
(73) Assignee: **EKO Development Limited,**
Guangzhou (CN)

D657,108 S 4/2012 Yang et al.
D657,109 S 4/2012 Liao
D675,802 S 2/2013 Yang et al.
8,820,566 B2 9/2014 Ude
D719,313 S 12/2014 Kao
D720,513 S 12/2014 Yang et al.
D725,861 S 3/2015 Yang et al.
D730,008 S 5/2015 Yang et al.
D743,138 S * 11/2015 Sun Ting Kung D34/9
D754,413 S 4/2016 Wall
(Continued)

(**) Term: **15 Years**

(21) Appl. No.: **29/653,095**

(22) Filed: **Jun. 12, 2018**

(51) **LOC (12) Cl.** **09-09**

(52) **U.S. Cl.**
USPC **D34/7**

(58) **Field of Classification Search**
USPC D34/1-11; 220/908-911, 912-913,
220/262-264, 4.04; 435/290.1
CPC B65F 1/062; B65F 1/1638; B62B 2202/20;
B62B 2202/028; B62B 2207/02
See application file for complete search history.

(56) **References Cited**

U.S. PATENT DOCUMENTS

D246,090 S 10/1977 Gault
D335,562 S 5/1993 Evans
5,242,074 A 9/1993 Conaway et al.
D343,709 S 1/1994 Doty et al.
6,345,725 B1 2/2002 Lin
D472,357 S 3/2003 Stewart
D482,169 S 11/2003 Lin
D527,155 S 8/2006 Fankhauser
D540,501 S * 4/2007 Wang D34/7
D552,321 S 10/2007 Yang et al.
D566,923 S * 4/2008 Lin D34/7
D571,520 S 6/2008 Lin
D593,796 S * 6/2009 Kevan D34/1
D627,533 S 11/2010 Yang et al.
D644,390 S 8/2011 Smeets et al.
D644,806 S 9/2011 Yang et al.

OTHER PUBLICATIONS

Belson Outdoors “Durable Two-Piece Fiberglass Trash Receptacle”,
<http://www.belson.com/Open-Top-Lift-Off-20-Gallon-Round-Fiberglass-Trash-Can>. Jun. 6, 2017. shown in p. 1, Model FG1829 TPL.

(Continued)

Primary Examiner — Gino Colan
(74) *Attorney, Agent, or Firm* — William Dippert;
Laurence Greenberg; Werner Stemer

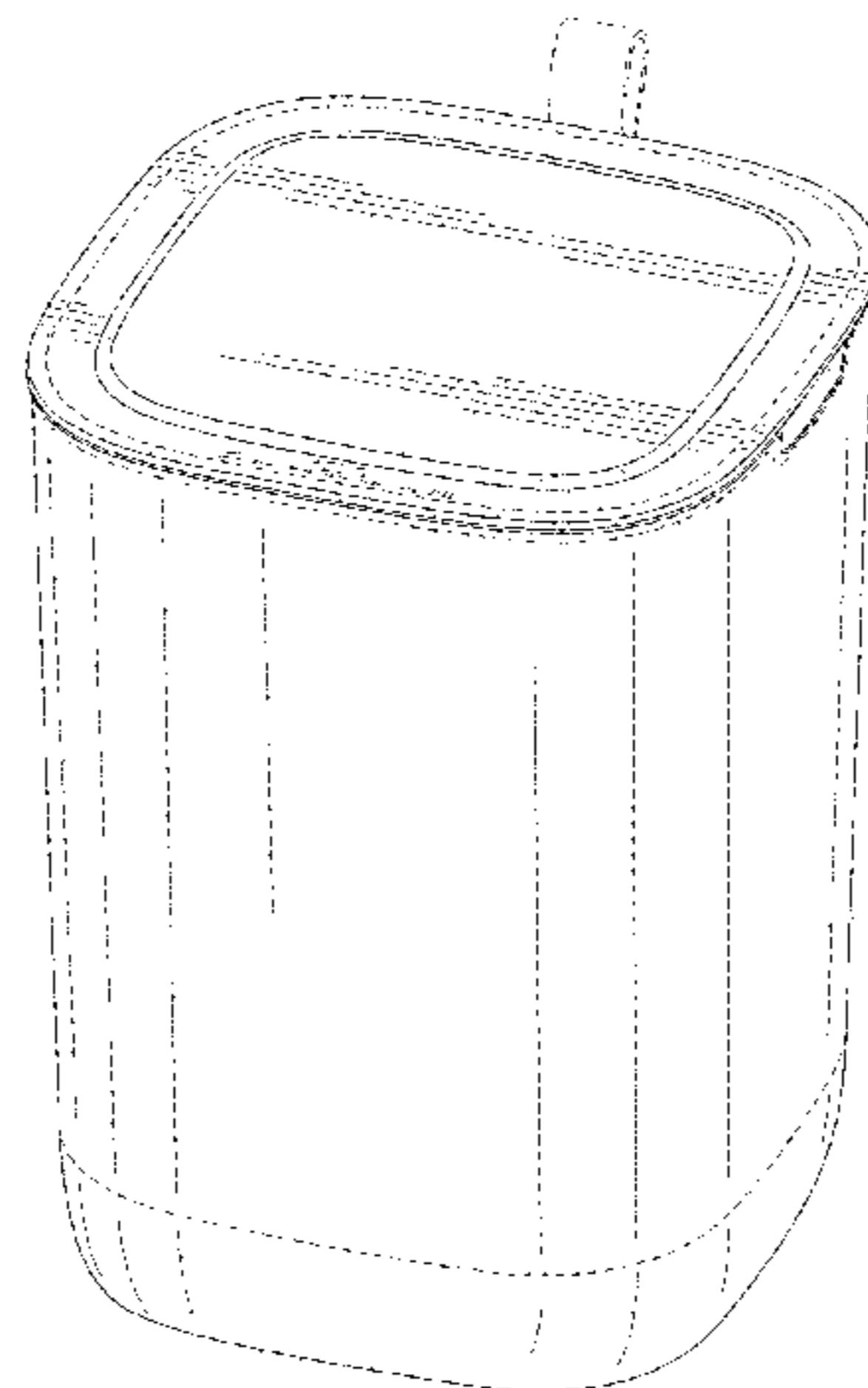
(57) **CLAIM**

The ornamental design for a sensor trash can, as shown and described.

DESCRIPTION

FIG. 1 is a perspective view of a sensor trash can, showing my new design.
FIG. 2 is a top plan view thereof.
FIG. 3 is a front elevation view thereof.
FIG. 4 is a right-side elevation view thereof.
FIG. 5 is a rear elevation view thereof.
FIG. 6 is a bottom plan view thereof; and,
FIG. 7 is a left-side elevation view thereof.
The broken lines shown in the figures are for the purpose of illustrating portions of the sensor trash can which form no part of the claimed design.

1 Claim, 7 Drawing Sheets



(56)

References Cited

U.S. PATENT DOCUMENTS

D759,934 S 6/2016 Yang et al.
D771,344 S 11/2016 Yang et al.
D773,145 S 11/2016 Yang et al.
D793,642 S * 8/2017 Yang D34/7
D798,016 S 9/2017 Yang et al.
D835,374 S * 12/2018 Yang D34/7

OTHER PUBLICATIONS

Amazon "Simplehuman Bullet Open Trash Can", https://www.amazon.com/simplehuman-Bullet-Trash-Commercial-Stainless/dp/B000BHUHP0/ref=cm_cr_ar_p_d_product_top?ie=UTF8. Apr. 17, 2008. shown in p. 1, Model No. CW1407.

* cited by examiner

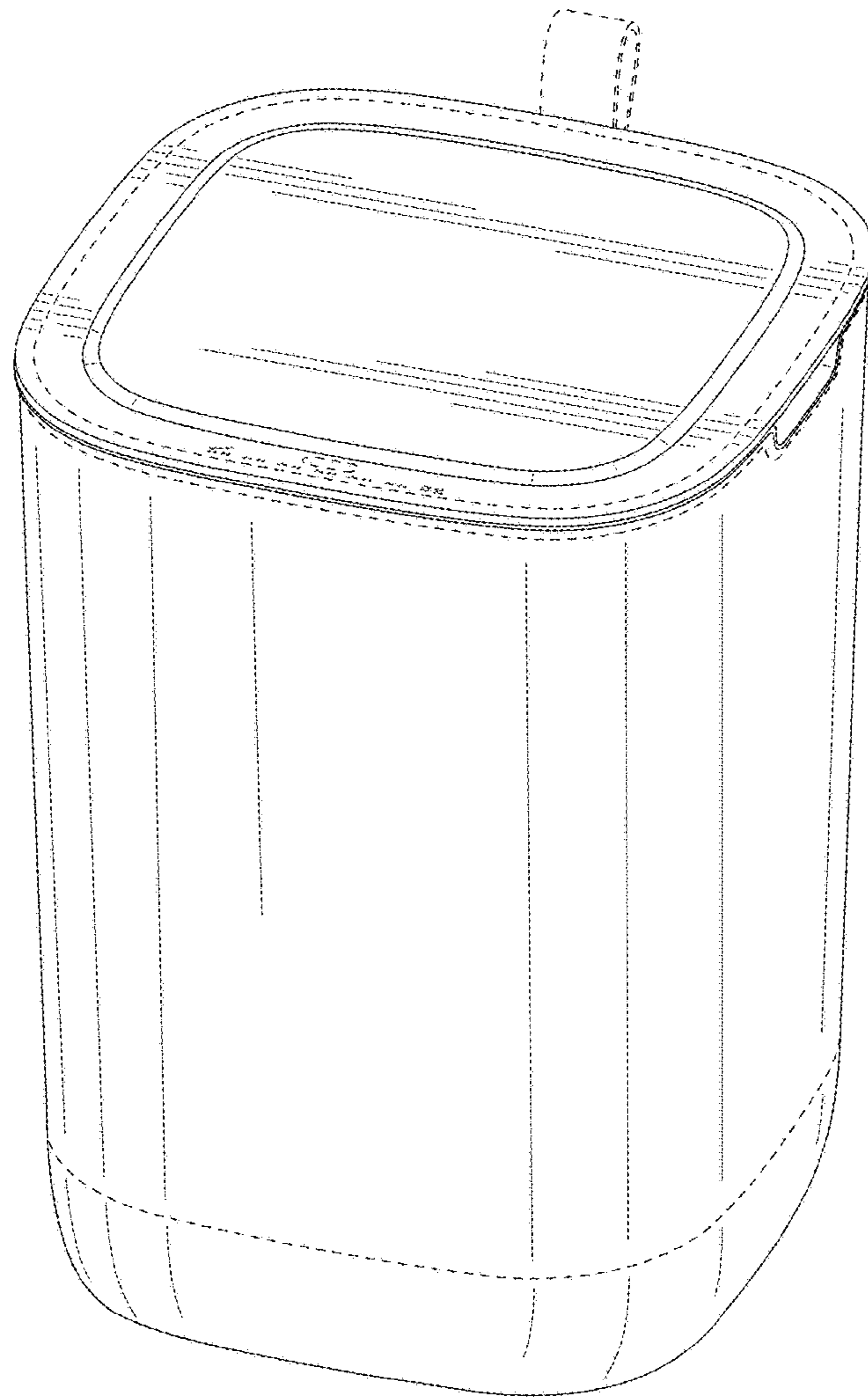


FIG. 1

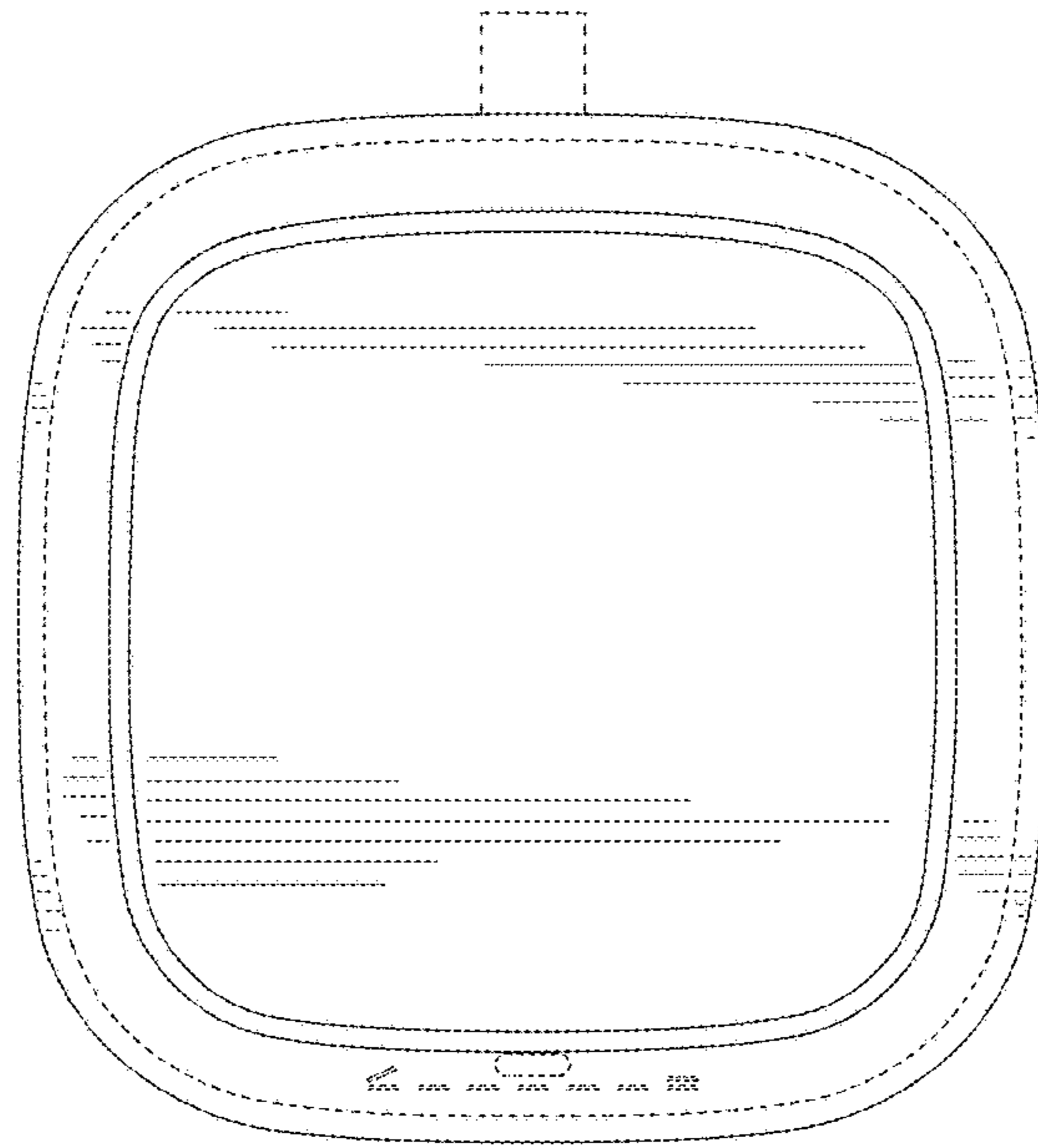


FIG. 2

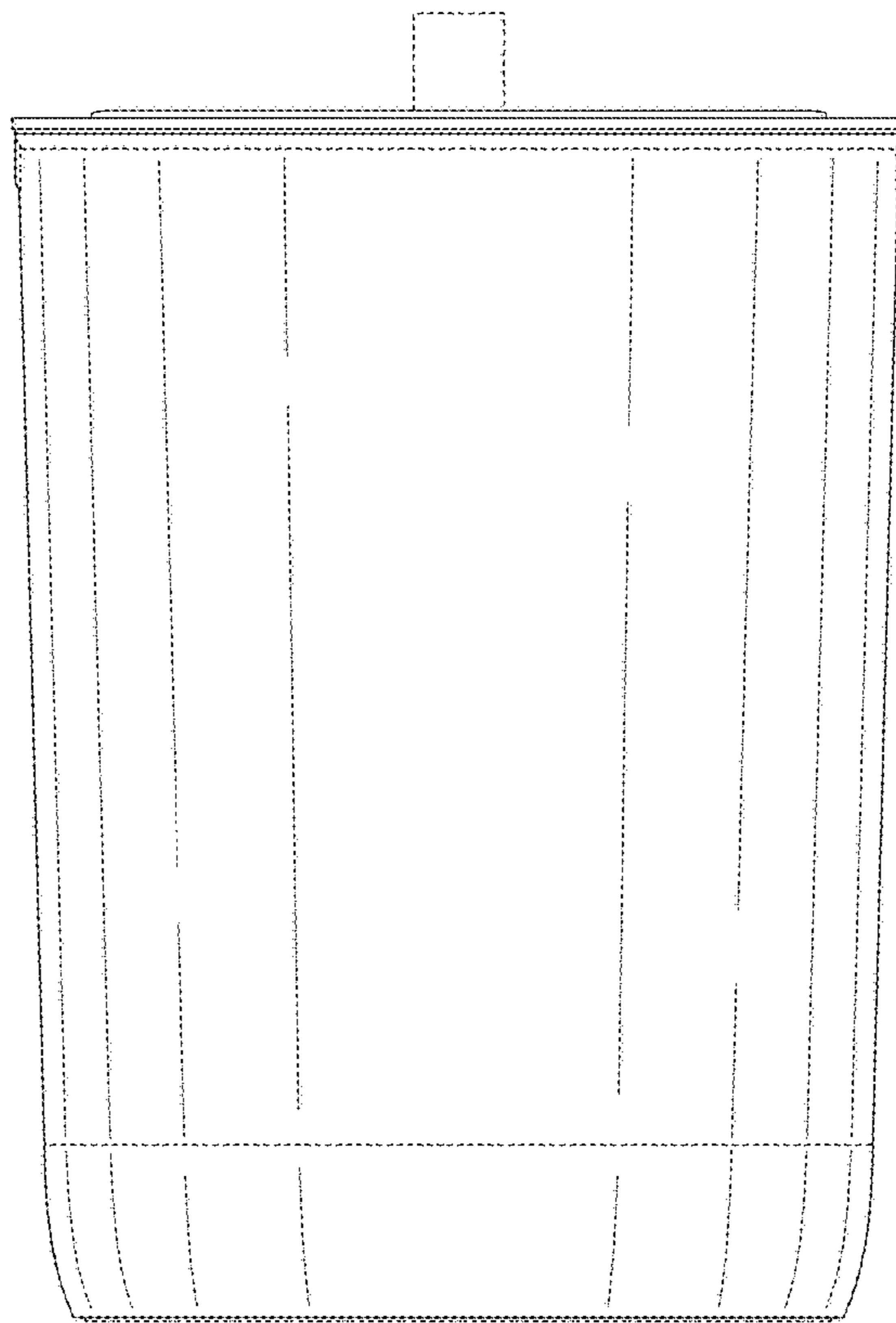


FIG. 3

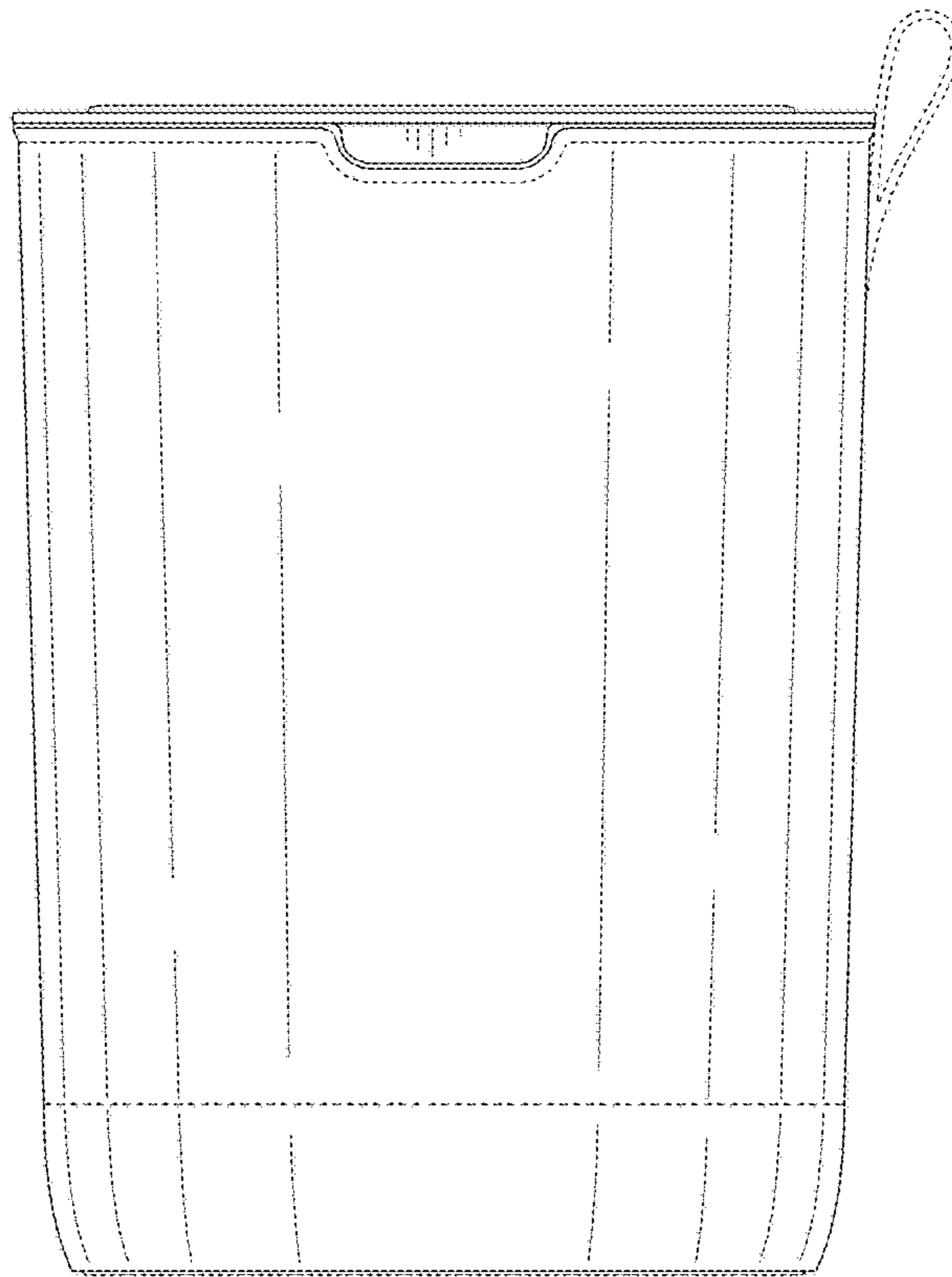


FIG. 4

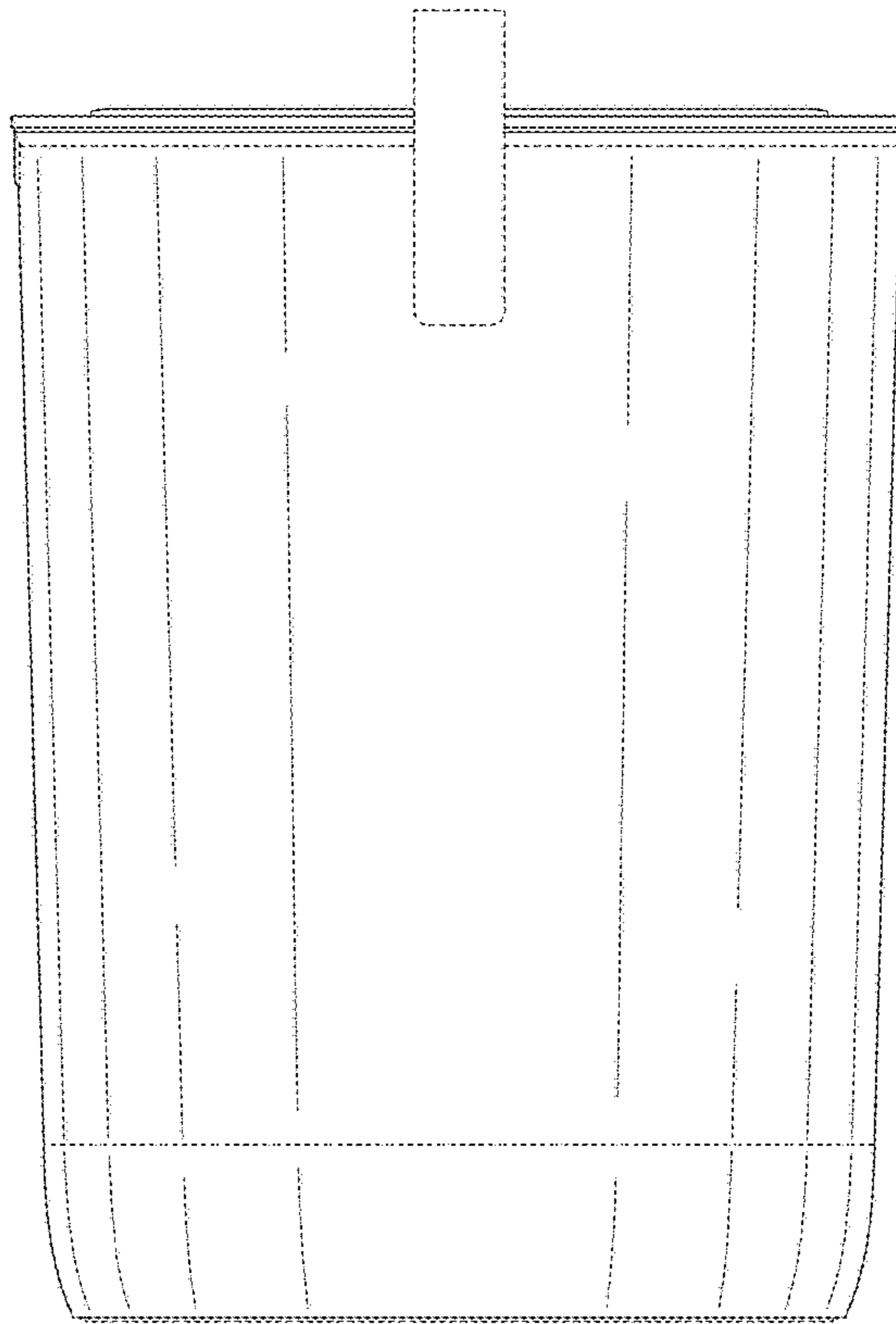


FIG. 5

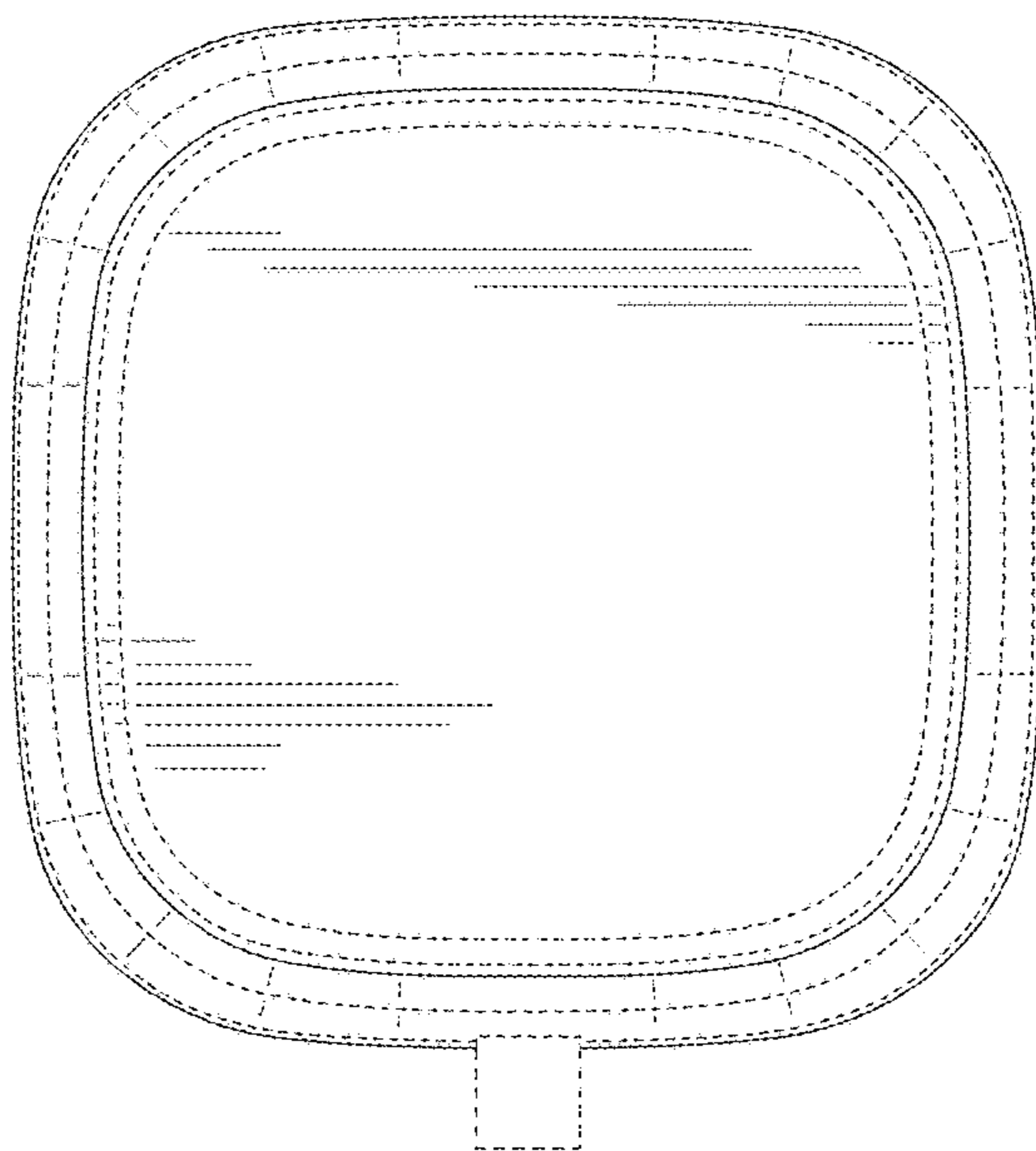


FIG. 6

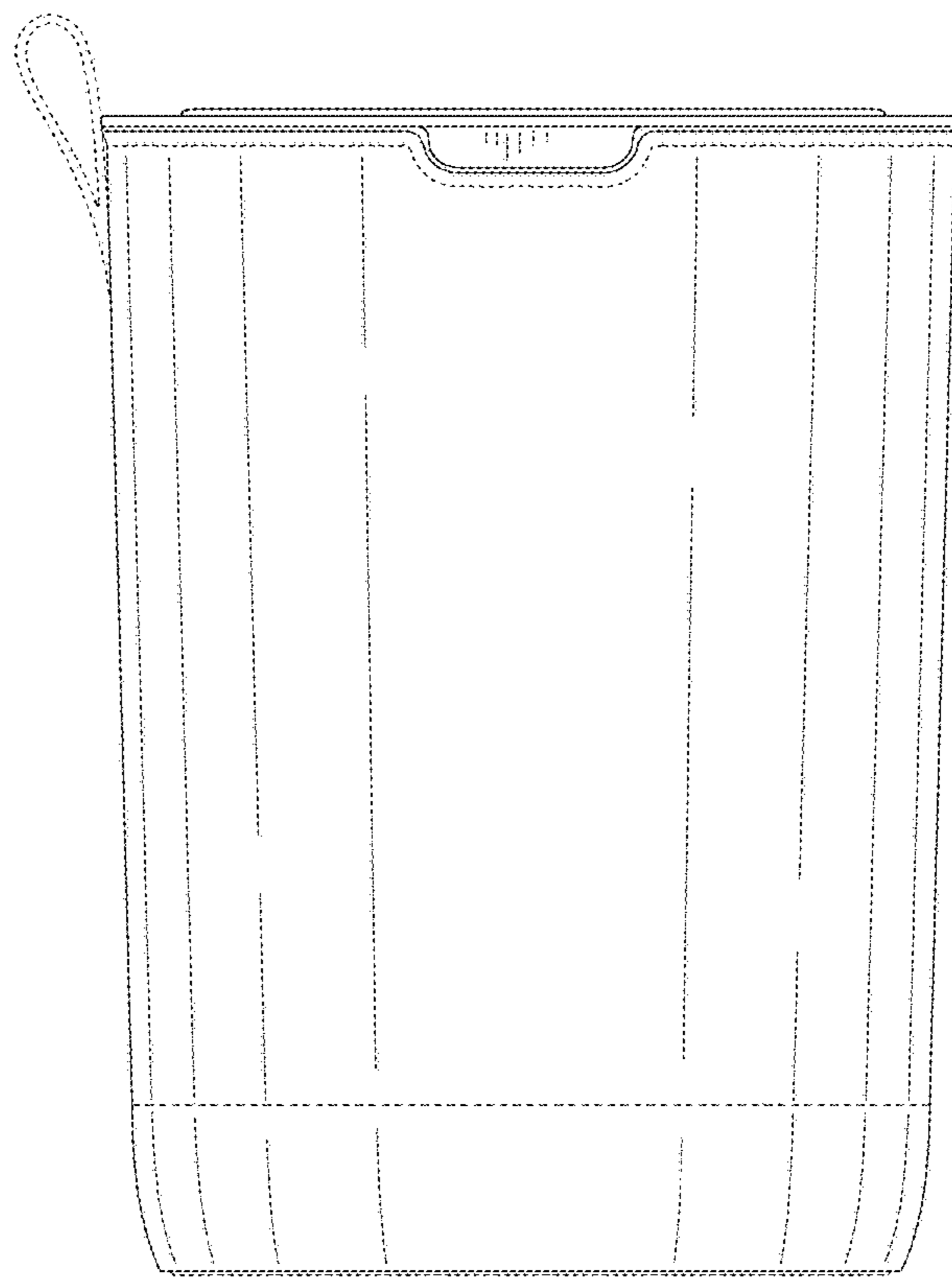


FIG. 7