



US00D872954S

(12) **United States Design Patent** (10) **Patent No.:** **US D872,954 S**
Rummel et al. (45) **Date of Patent:** **** Jan. 14, 2020**

(54) **HOLDER FOR A FLOOR CLEANING MACHINE**

(71) Applicant: **Alfred Kaercher SE & Co. KG**, Winnenden (DE)

(72) Inventors: **Christian Rummel**, Benningen am Neckar (DE); **Michael Meyer**, Schwaikheim (DE)

(73) Assignee: **Alfred Kaercher SE & Co. KG**, Winnenden (DE)

D289,996 S *	5/1987	Oord	D13/108
D339,888 S *	9/1993	Muller	D32/25
D489,325 S *	5/2004	Nakamura	D13/110
D511,745 S *	11/2005	Lamason	D13/108
D532,564 S *	11/2006	Neumann	D32/25
D535,615 S *	1/2007	Iwai	D13/108
D605,588 S *	12/2009	Nomi	D13/108
D610,084 S *	2/2010	Christopher	D13/107
D613,684 S *	4/2010	Nishizawa	D13/108
D615,491 S *	5/2010	Emminger	D13/108
D621,347 S *	8/2010	Aulwes	D13/108
D663,497 S *	7/2012	Ha	D32/29.1
D702,665 S *	4/2014	Kim	D14/217

(Continued)

(**) Term: **15 Years**

(21) Appl. No.: **29/636,197**

(22) Filed: **Feb. 7, 2018**

(30) **Foreign Application Priority Data**

Aug. 15, 2017 (WO) DM/097409

(51) **LOC (12) Cl.** **15-05**

(52) **U.S. Cl.**
USPC **D32/25**

(58) **Field of Classification Search**
USPC D32/1, 25; D13/107-110, 118-119, 184, D13/199; D14/251, 253, 432, 434
CPC Y02E 60/12; Y02T 90/14; Y02T 90/122; Y02T 90/128; Y02T 90/163; H02J 7/025; H02J 7/0042; H02J 7/0044; H02J 7/0045; H02J 7/0003; H01F 38/14; H01R 13/6675; H01M 2/1022; H01M 2/1055; H01M 10/44; H01M 10/46; H01M 10/425; B60L 11/182

See application file for complete search history.

(56) **References Cited**

U.S. PATENT DOCUMENTS

D262,257 S *	12/1981	Sohn	D32/17
D277,662 S *	2/1985	Huntington	D13/107

OTHER PUBLICATIONS

Extract from catalog of Alfred Kaercher GmbH & Co., "Kaercher 2000 Professional Cleaning Systems", cover, p. 11 and last page (Jan. 2000).

(Continued)

Primary Examiner — Michelle E. Wilson
(74) *Attorney, Agent, or Firm* — Lipsitz & McAllister, LLC

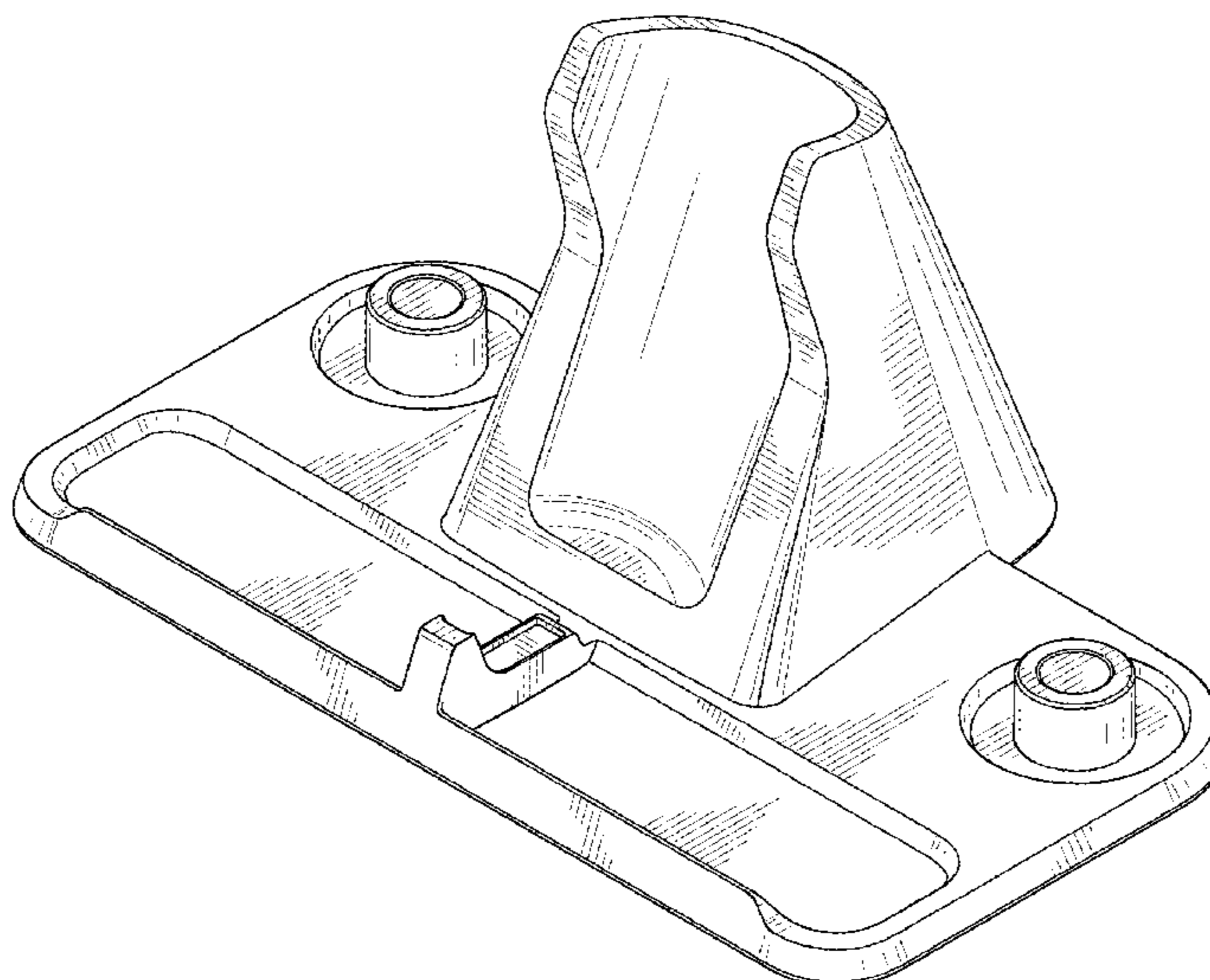
(57) **CLAIM**

The ornamental design for a holder for a floor cleaning machine, as shown and described.

DESCRIPTION

FIG. 1 is a front, top and left side perspective view of a holder for a floor cleaning machine showing the new design; FIG. 2 is a front, top and right side perspective view thereof; FIG. 3 is a front elevational view thereof; FIG. 4 is a left side elevational view thereof; FIG. 5 is a rear elevational view thereof; FIG. 6 is a right side elevational view thereof; and, FIG. 7 is a top plan view thereof.

1 Claim, 7 Drawing Sheets



(56)

References Cited

U.S. PATENT DOCUMENTS

D742,885	S	*	11/2015	Chen	D14/434
D759,588	S	*	6/2016	De Klein	D13/108
D780,187	S	*	2/2017	Lee	D14/253
D782,411	S	*	3/2017	Mischke	D13/108
D797,669	S	*	9/2017	Chang	D13/108
D809,232	S	*	1/2018	Wu	D32/31
D810,014	S	*	2/2018	Haranaka	D13/108
D829,396	S	*	9/2018	Shin	D32/22
D835,611	S	*	12/2018	Yun	D14/224
D842,562	S	*	3/2019	McCallister	D32/25
D847,739	S	*	5/2019	Yun	D13/108
D847,740	S	*	5/2019	Yamanouchi	D13/108
D852,135	S	*	6/2019	Mei	D13/108
D857,625	S	*	8/2019	Cao	D13/108
D858,437	S	*	9/2019	Lu	D13/108

OTHER PUBLICATIONS

Extract from catalog of Alfred Kaercher GmbH & Co. KG, "Programme 2006 ", cover, p. 42 and last page (Dec. 2005).

Extract from catalog of Alfred Kaercher GmbH & Co. KG, "Programme 2017 Home & Garden ", cover, pp. 122-125 and last page (Oct. 2016).

* cited by examiner

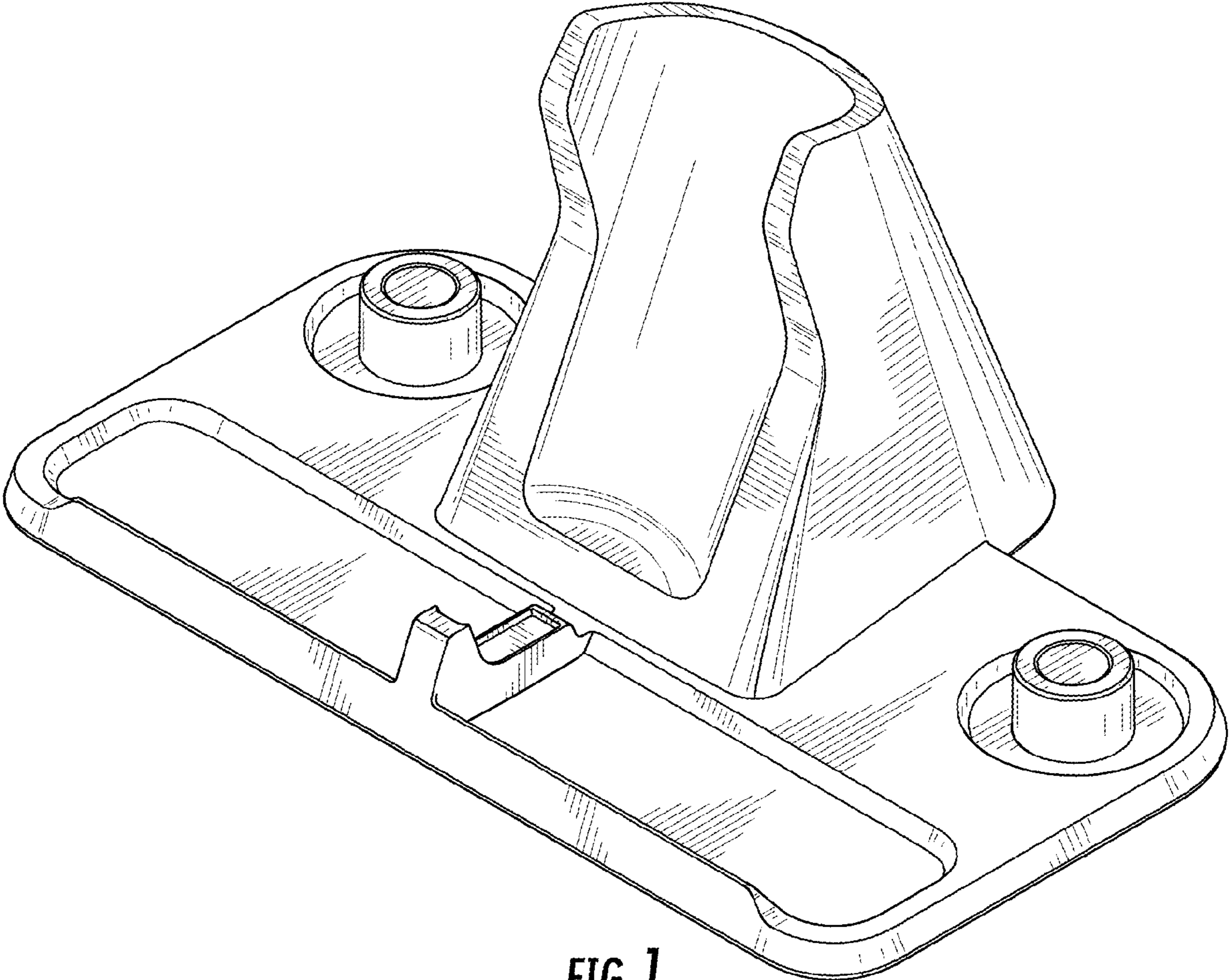


FIG. 1

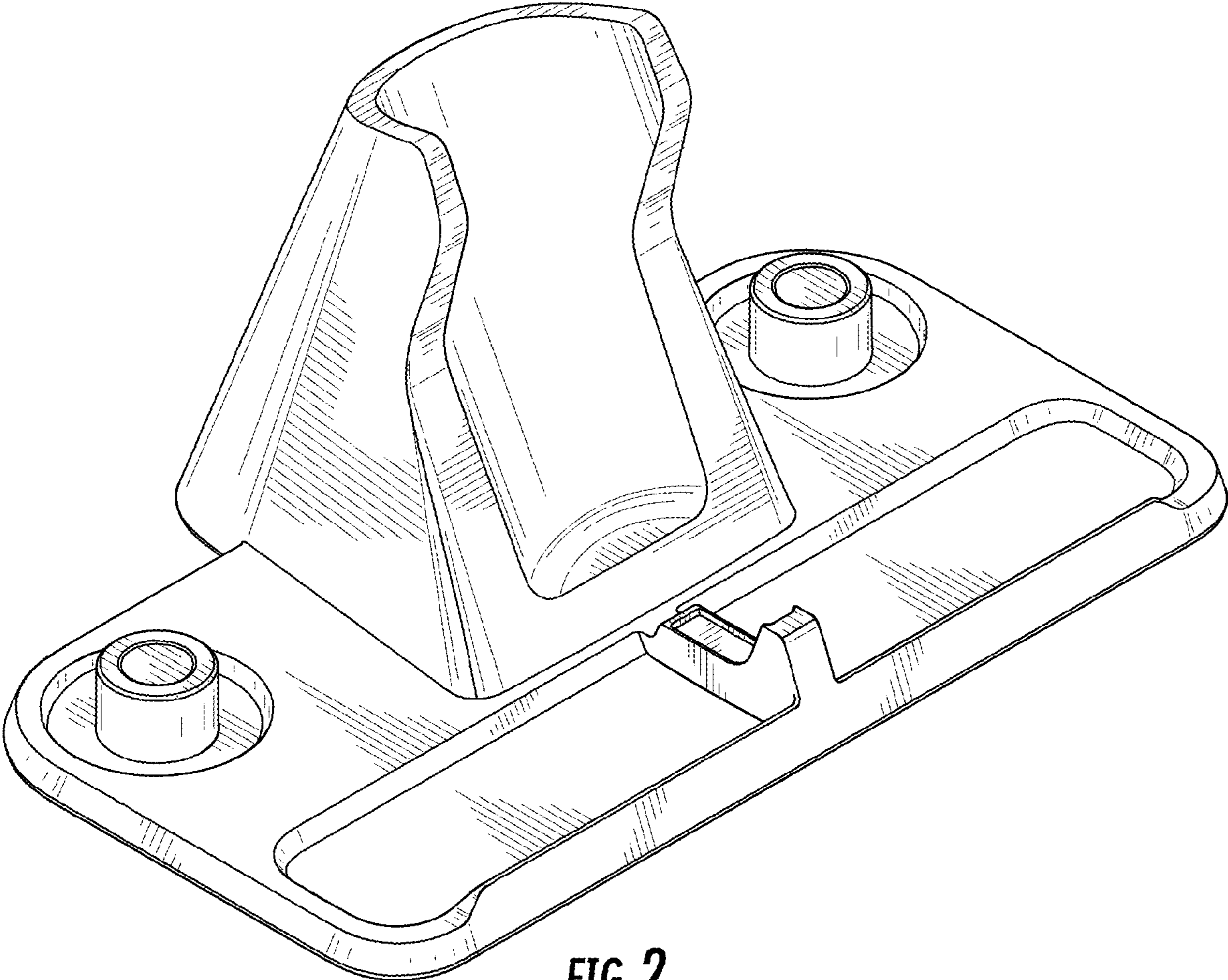


FIG. 2

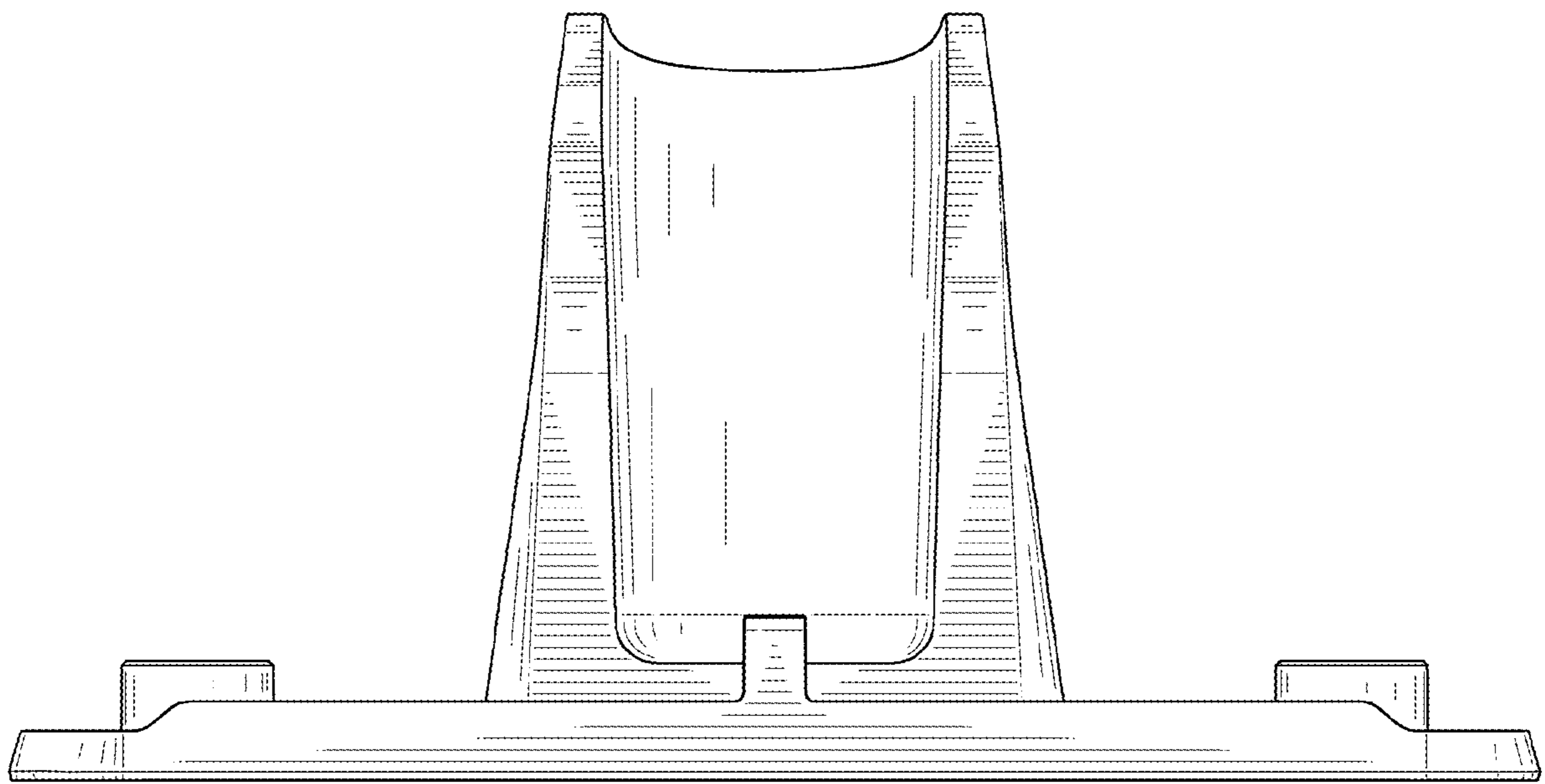


FIG. 3

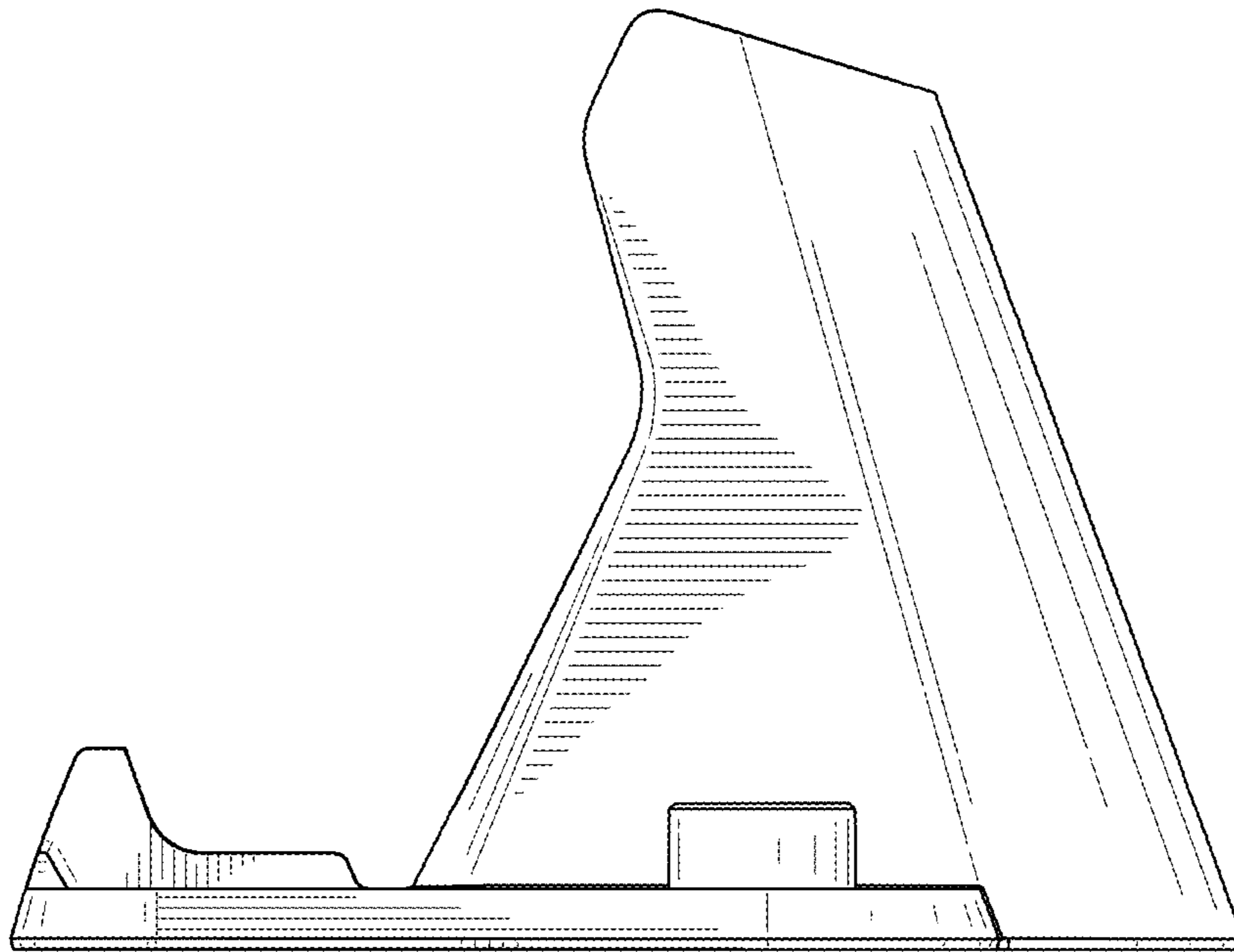


FIG. 4

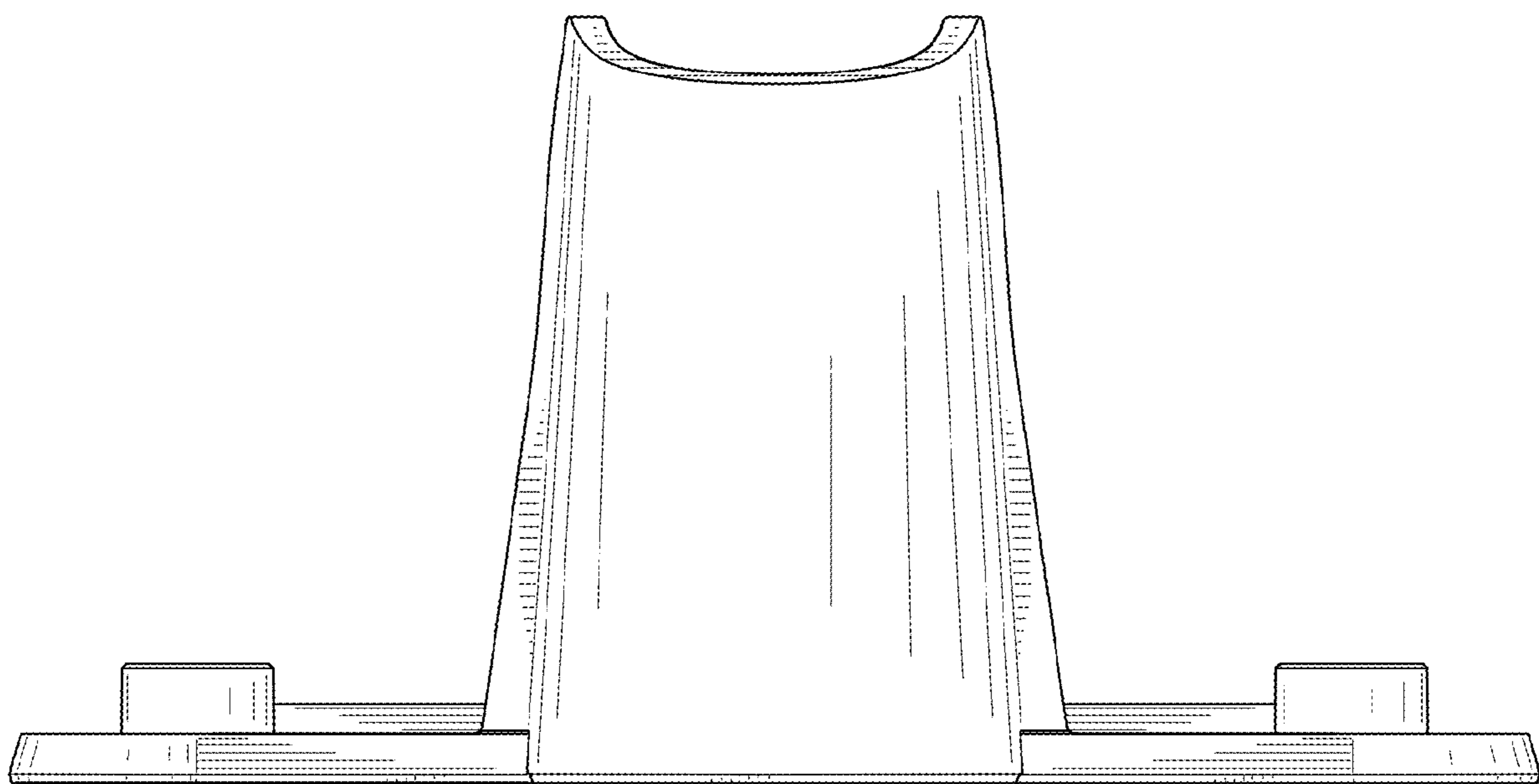


FIG. 5

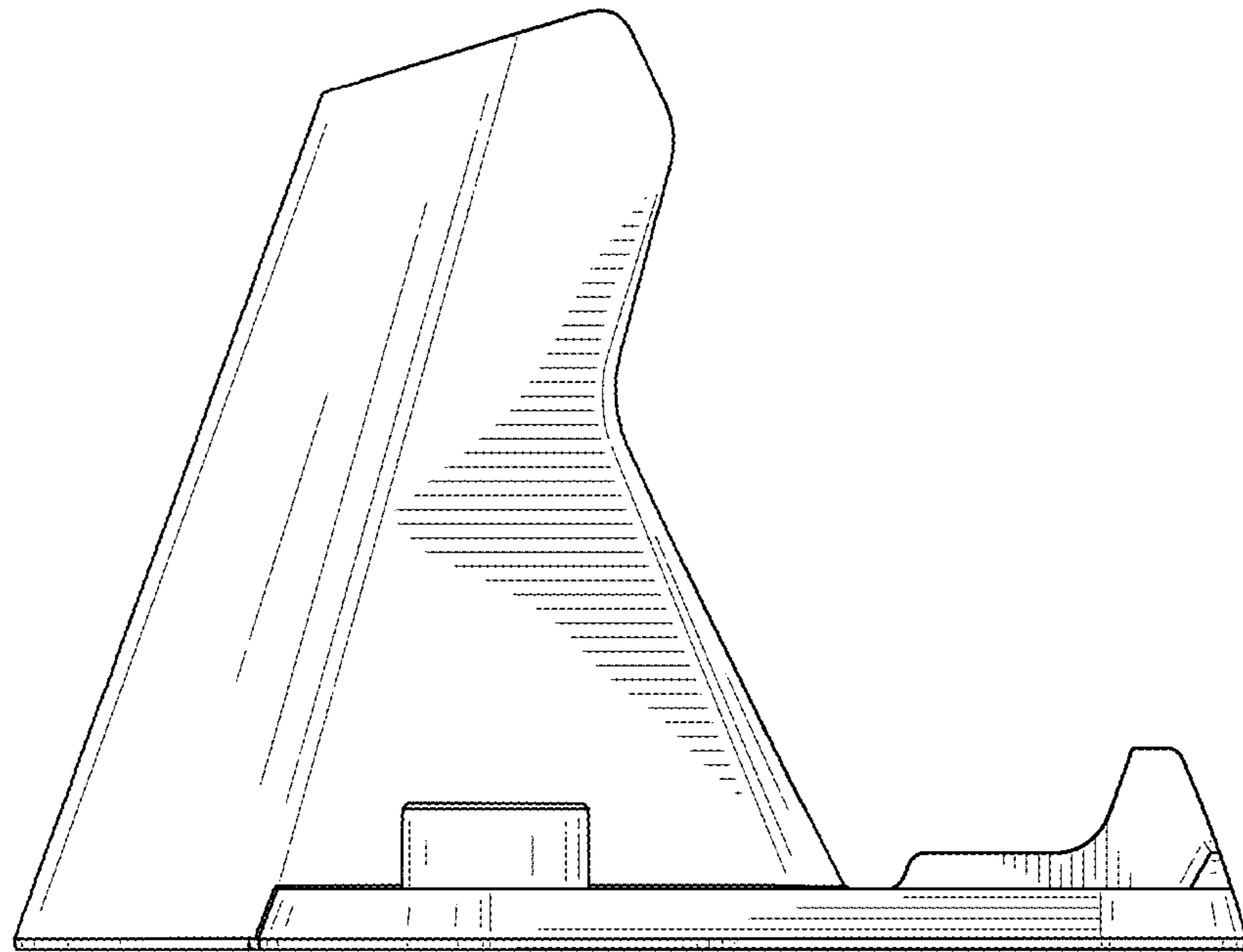


FIG. 6

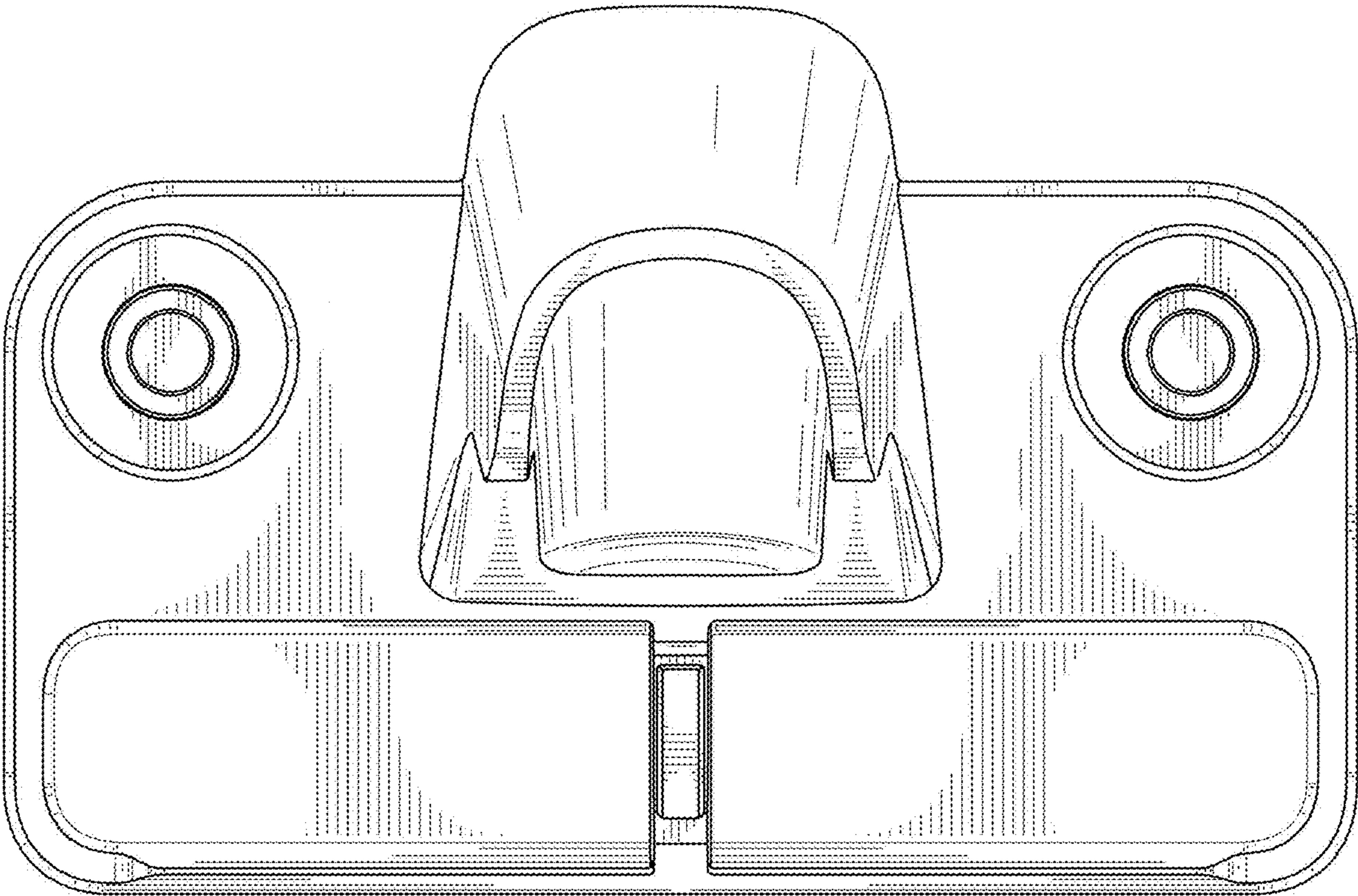


FIG. 7