



US00D872953S

(12) **United States Design Patent**
Ebrahimi Afrouzi et al.

(10) **Patent No.:** **US D872,953 S**

(45) **Date of Patent:** **** *Jan. 14, 2020**

(54) **ROBOTIC VACUUM**

(71) Applicants: **Ali Ebrahimi Afrouzi**, San Jose, CA (US); **Shahin Fathi Djalali**, San Francisco, CA (US)

(72) Inventors: **Ali Ebrahimi Afrouzi**, San Jose, CA (US); **Shahin Fathi Djalali**, San Francisco, CA (US)

(73) Assignee: **AI Incorporated**, Toronto (CA)

(*) Notice: This patent is subject to a terminal disclaimer.

(**) Term: **15 Years**

(21) Appl. No.: **29/597,879**

(22) Filed: **Mar. 21, 2017**

(51) **LOC (12) Cl.** **15-05**

(52) **U.S. Cl.**
USPC **D32/21**

(58) **Field of Classification Search**

USPC D32/21-24, 31, 34, 17-18
CPC A47L 5/24; A47L 5/22; A47L 5/28; A47L 5/225; A47L 5/362; A47L 5/365; A47L 9/2842; A47L 9/24; A47L 9/248

See application file for complete search history.

(56) **References Cited**

U.S. PATENT DOCUMENTS

D548,902 S * 8/2007 Chun D32/21
D556,961 S * 12/2007 Swyst D15/199

D661,440 S * 6/2012 Lee D32/21
D665,547 S * 8/2012 Nam D32/21
D669,235 S * 10/2012 Bassett D32/21
D670,877 S * 11/2012 Geringer D32/21
8,505,158 B2 * 8/2013 Han A47L 7/02
15/347
D690,478 S * 9/2013 Li D32/21
D703,397 S * 4/2014 Sungkyung D32/21
D714,002 S * 9/2014 Casini D32/21
D714,003 S * 9/2014 Casini D32/21
D715,504 S * 10/2014 Deoksang D32/21
D743,645 S * 11/2015 Lee D32/21
D771,884 S * 11/2016 Ninomiya D32/21
D775,439 S * 12/2016 Vanderstegen-Drake D32/21
9,833,116 B2 * 12/2017 Huang A47L 9/2857

* cited by examiner

Primary Examiner — Ruth McInroy

(57) **CLAIM**

The ornamental design for a robotic vacuum, as shown and described.

DESCRIPTION

FIG. 1 is a perspective view of a robotic vacuum showing our new design;
FIG. 2 is a front elevation view thereof;
FIG. 3 is a left side elevation view thereof, the right side being a mirror image;
FIG. 4 is a top plan view thereof; and,
FIG. 5 is a rear elevation view thereof.

1 Claim, 5 Drawing Sheets

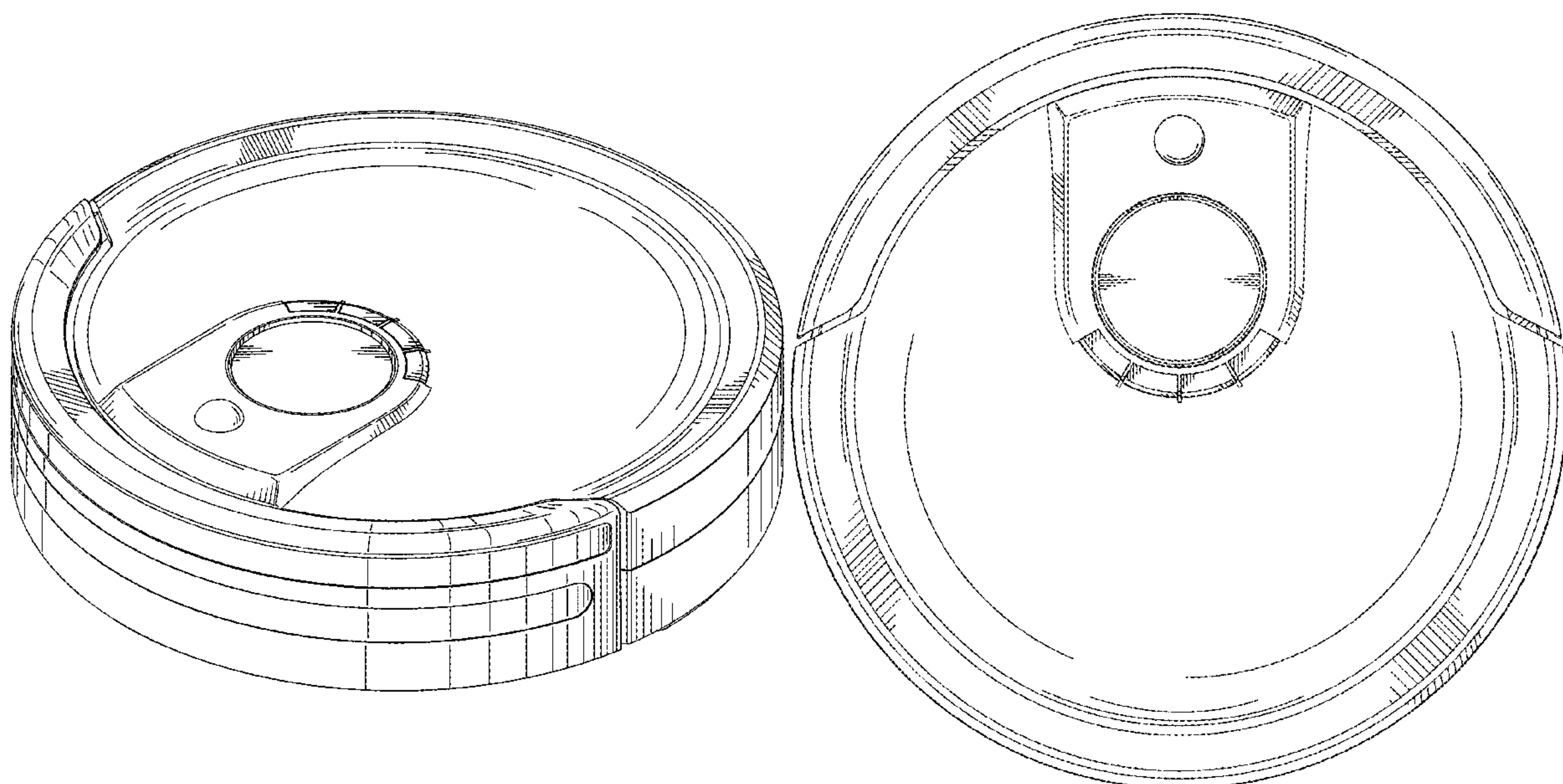


FIG. 1

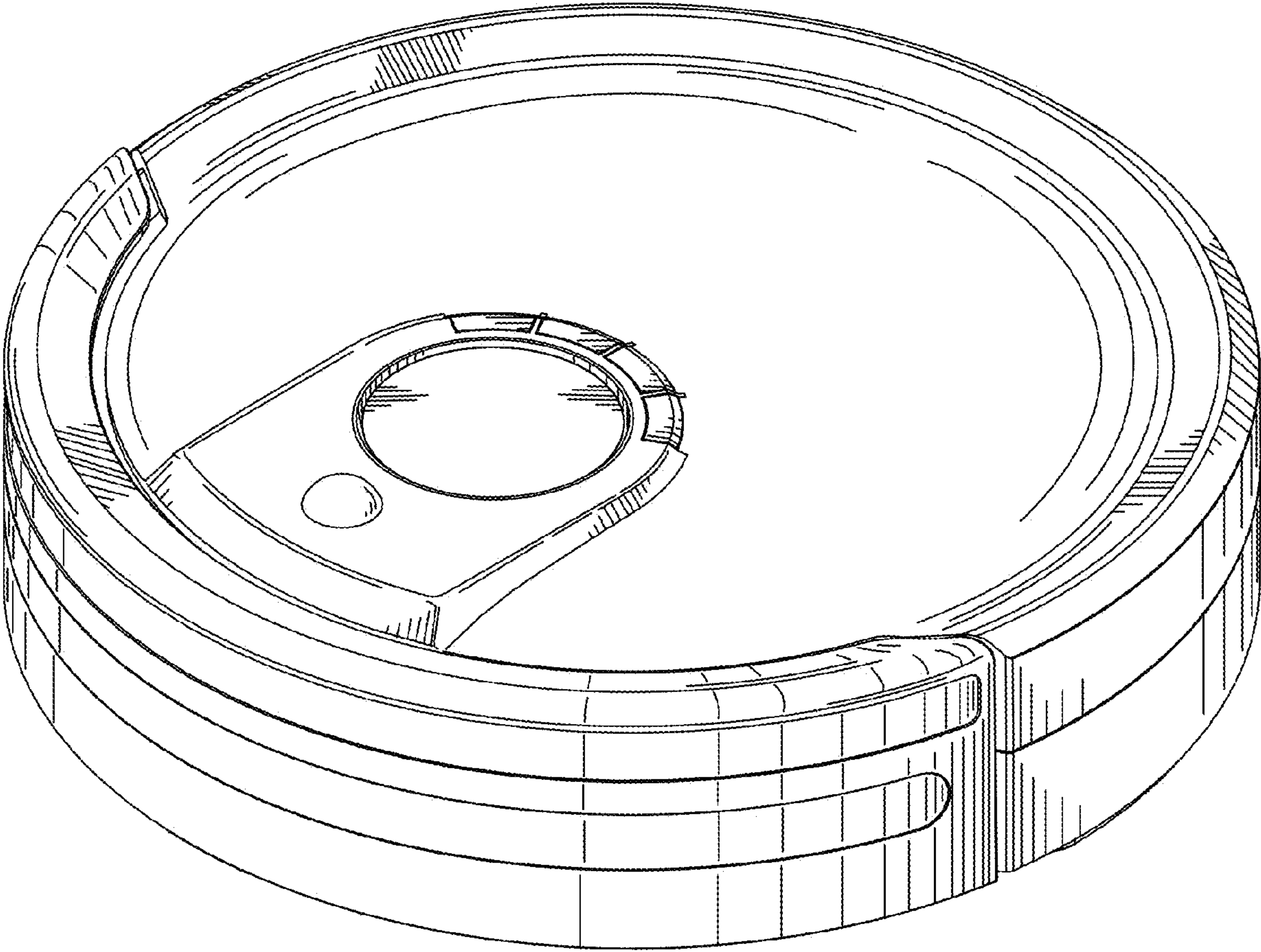


FIG. 2

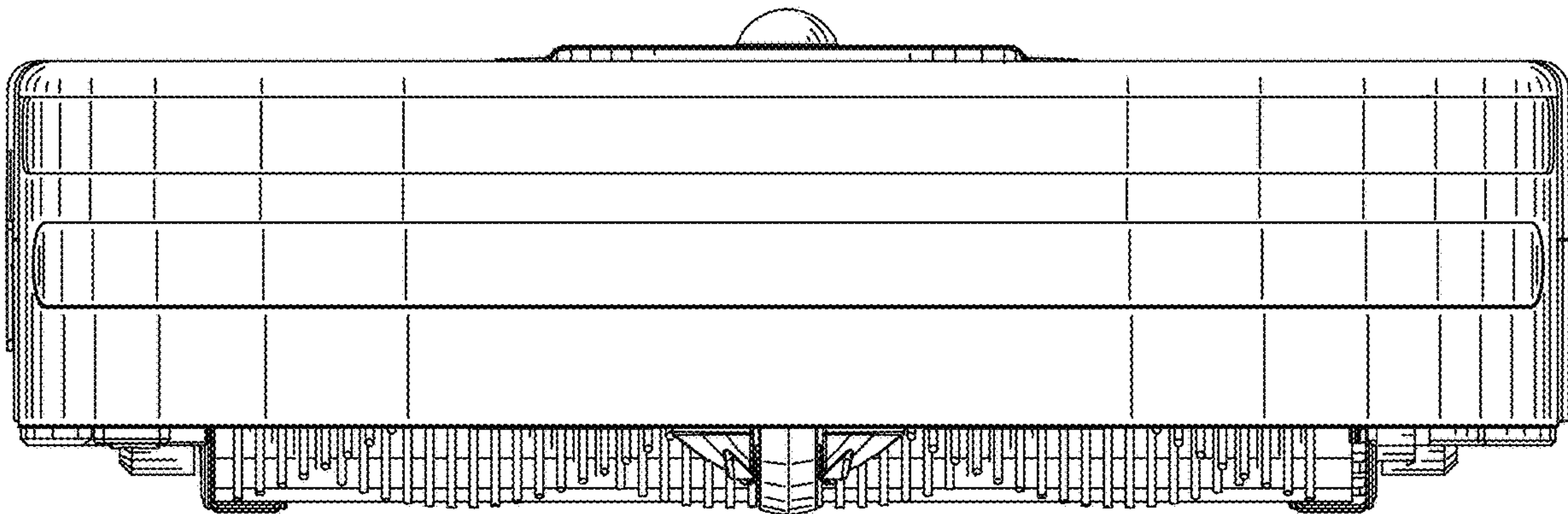


FIG. 3

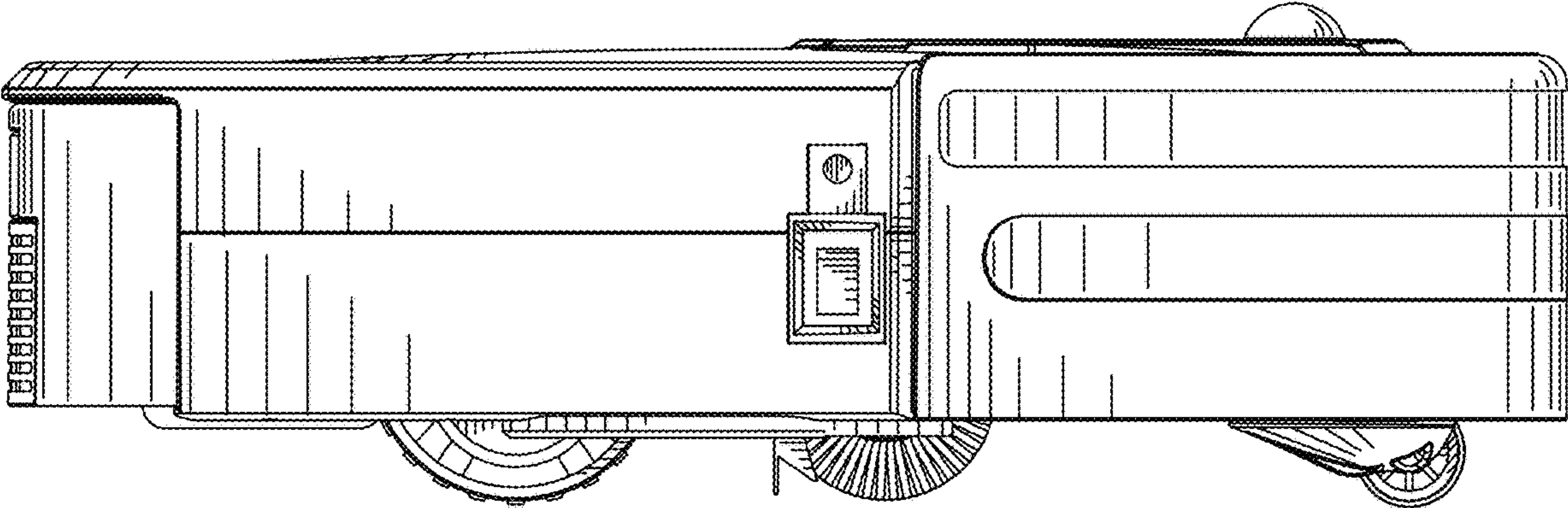


FIG. 4

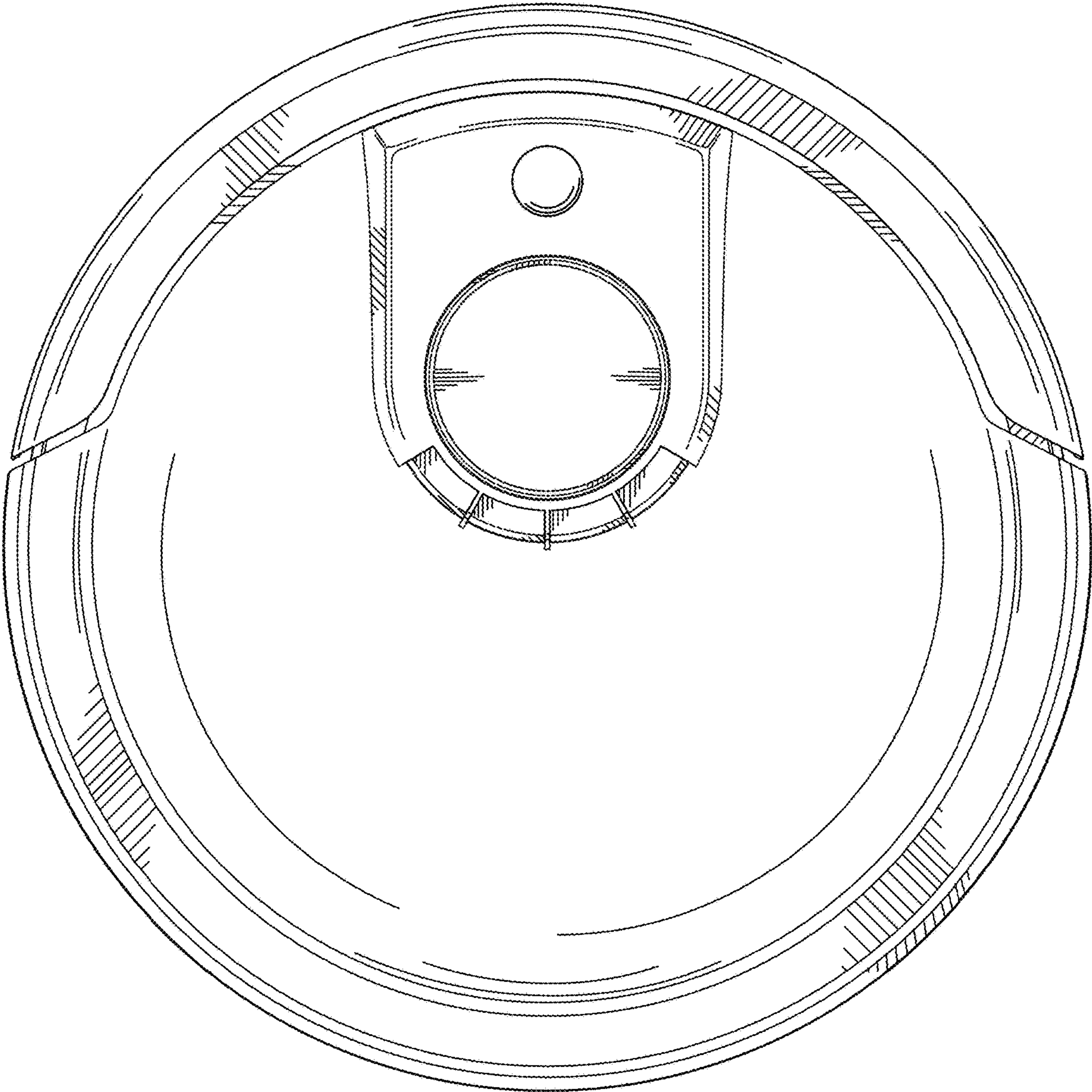


FIG. 5

