



US00D872952S

(12) **United States Design Patent**  
**Yang**

(10) **Patent No.:** **US D872,952 S**

(45) **Date of Patent:** **\*\* Jan. 14, 2020**

(54) **VACUUM CLEANER DUST CUP**  
(71) Applicant: **TEK Technology Co. Ltd.**, Suzhou (CN)  
(72) Inventor: **Xiangyu Yang**, Chifeng (CN)  
(73) Assignee: **TINECO ELECTRICAL APPLIANCES CO, LTD.**, Suzhou (CN)  
(\*\*) Term: **15 Years**  
(21) Appl. No.: **29/647,915**  
(22) Filed: **May 16, 2018**

(30) **Foreign Application Priority Data**

Nov. 16, 2017 (CN) ..... 2017 3 0566606

(51) **LOC (12) Cl.** ..... **15-05**

(52) **U.S. Cl.**  
USPC ..... **D32/18**

(58) **Field of Classification Search**  
USPC ..... D32/17, 18, 22, 31  
CPC ... A47L 5/24; A47L 5/362; A47L 5/36; A47L 5/28; A47L 9/102; A47L 9/1683; B01D 50/002  
See application file for complete search history.

(56) **References Cited**

**U.S. PATENT DOCUMENTS**

D481,844 S \* 11/2003 Greene ..... D32/31  
D718,508 S \* 11/2014 Svantesson ..... D32/31  
9,027,198 B2 \* 5/2015 Conrad ..... A47L 9/16  
15/344  
D731,134 S \* 6/2015 Dyson ..... D32/31  
D731,720 S \* 6/2015 Gidwell ..... D32/18

D742,083 S \* 10/2015 Gidwell ..... D32/31  
D745,231 S \* 12/2015 Niedzwecki ..... D32/18  
D747,571 S \* 1/2016 Dyson ..... D32/18  
9,661,964 B2 \* 5/2017 Conrad ..... A47L 5/24  
D792,665 S \* 7/2017 Salagnac ..... D32/18  
D804,753 S \* 12/2017 Kim ..... D32/31  
D811,031 S \* 2/2018 Palladino ..... D32/31  
D814,723 S \* 4/2018 Palladino ..... D32/31  
D818,223 S \* 5/2018 Nam ..... D32/18  
D821,044 S \* 6/2018 Cao ..... D32/18  
D826,493 S \* 8/2018 Nam ..... D32/18  
D827,955 S \* 9/2018 Palladino ..... D32/18  
D844,264 S \* 3/2019 Irfan ..... A47L 5/26  
D32/18  
D844,913 S \* 4/2019 Palladino ..... D32/18  
10,264,934 B2 \* 4/2019 Conrad ..... A47L 9/16

\* cited by examiner

*Primary Examiner* — Ruth McInroy

(74) *Attorney, Agent, or Firm* — Procopio, Cory, Hargreaves & Savitch LLP

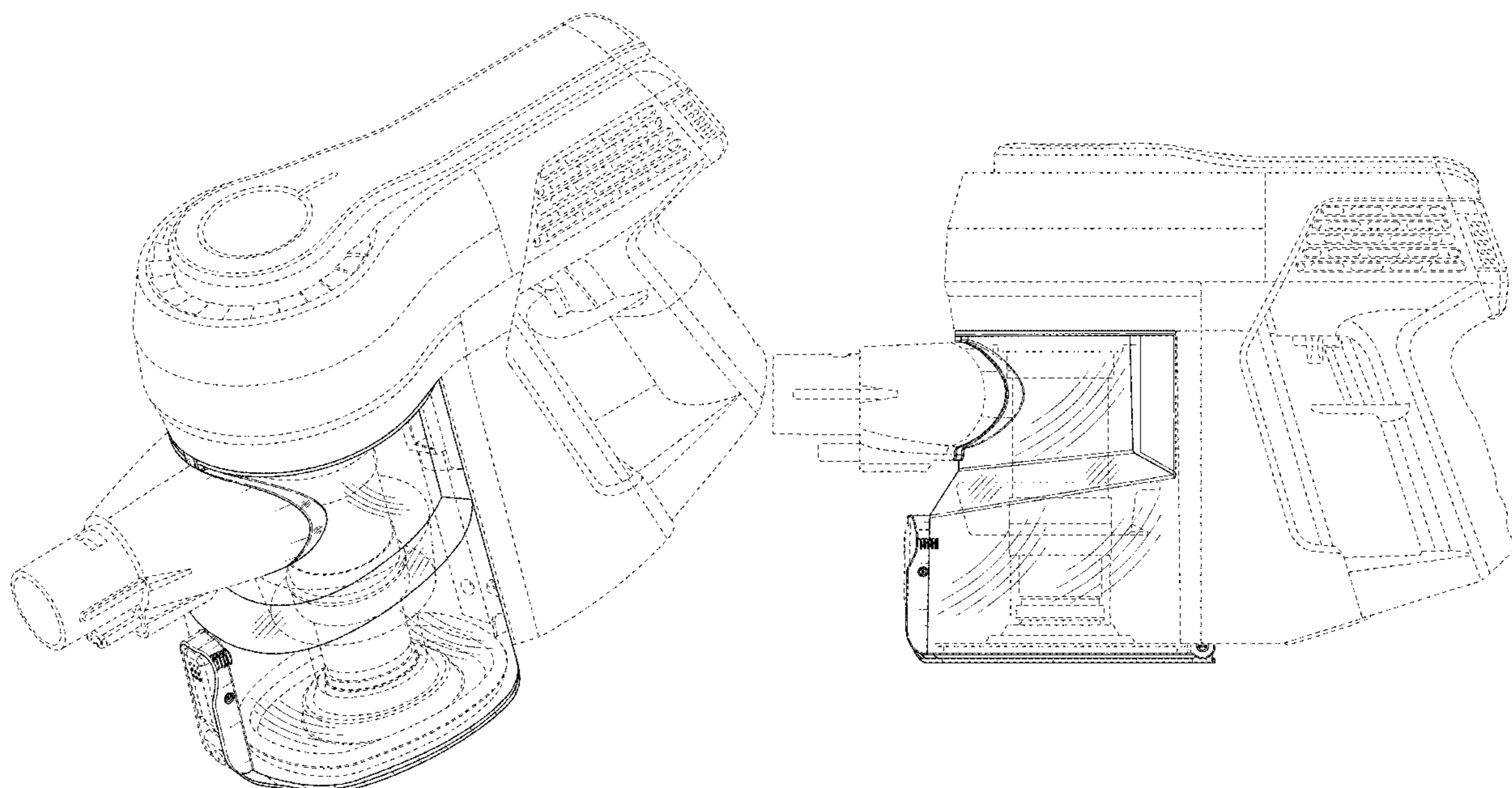
(57) **CLAIM**

I claim the ornamental design for a vacuum cleaner dust cup, as shown and described.

**DESCRIPTION**

FIG. 1 is a front perspective view of a vacuum cleaner dust cup showing my new design; FIG. 2 is a left side view thereof; FIG. 3 is a right side view thereof; FIG. 4 is a front view thereof; FIG. 5 is a rear view thereof; FIG. 6 is a top view thereof; and, FIG. 7 is a bottom view thereof. The details shown in broken lines form no part of the claimed design.

**1 Claim, 4 Drawing Sheets**



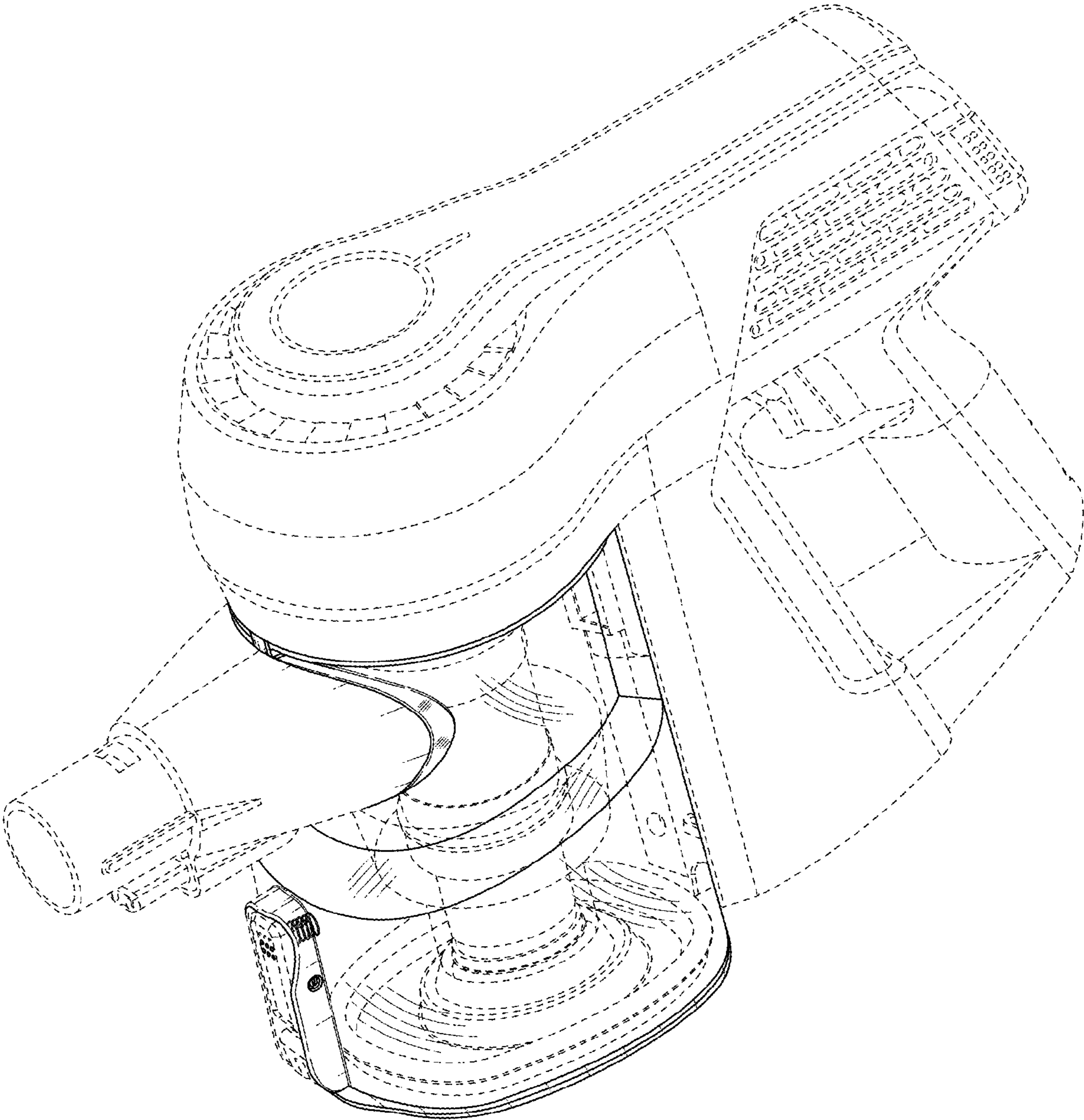


FIG. 1



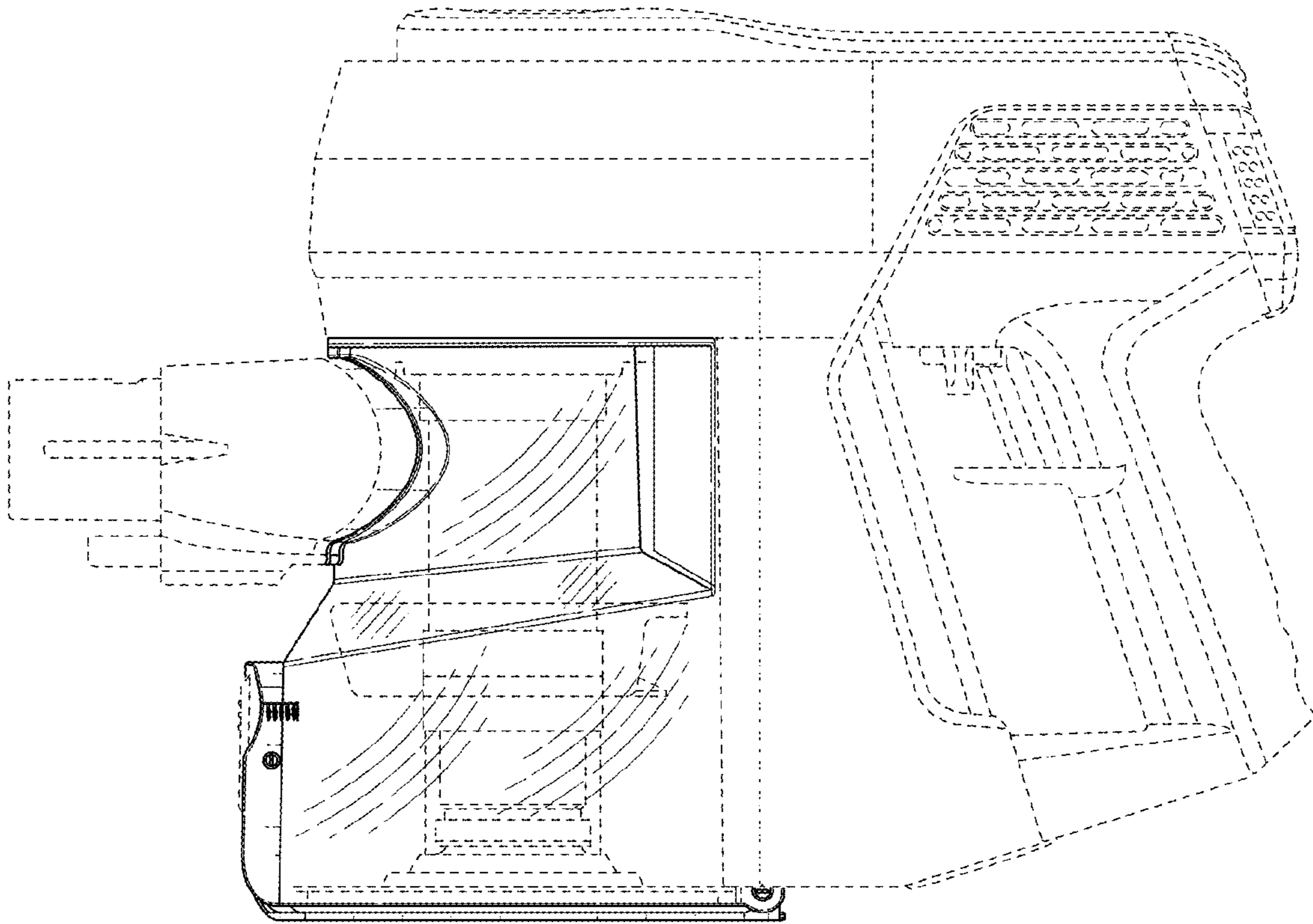


FIG. 2

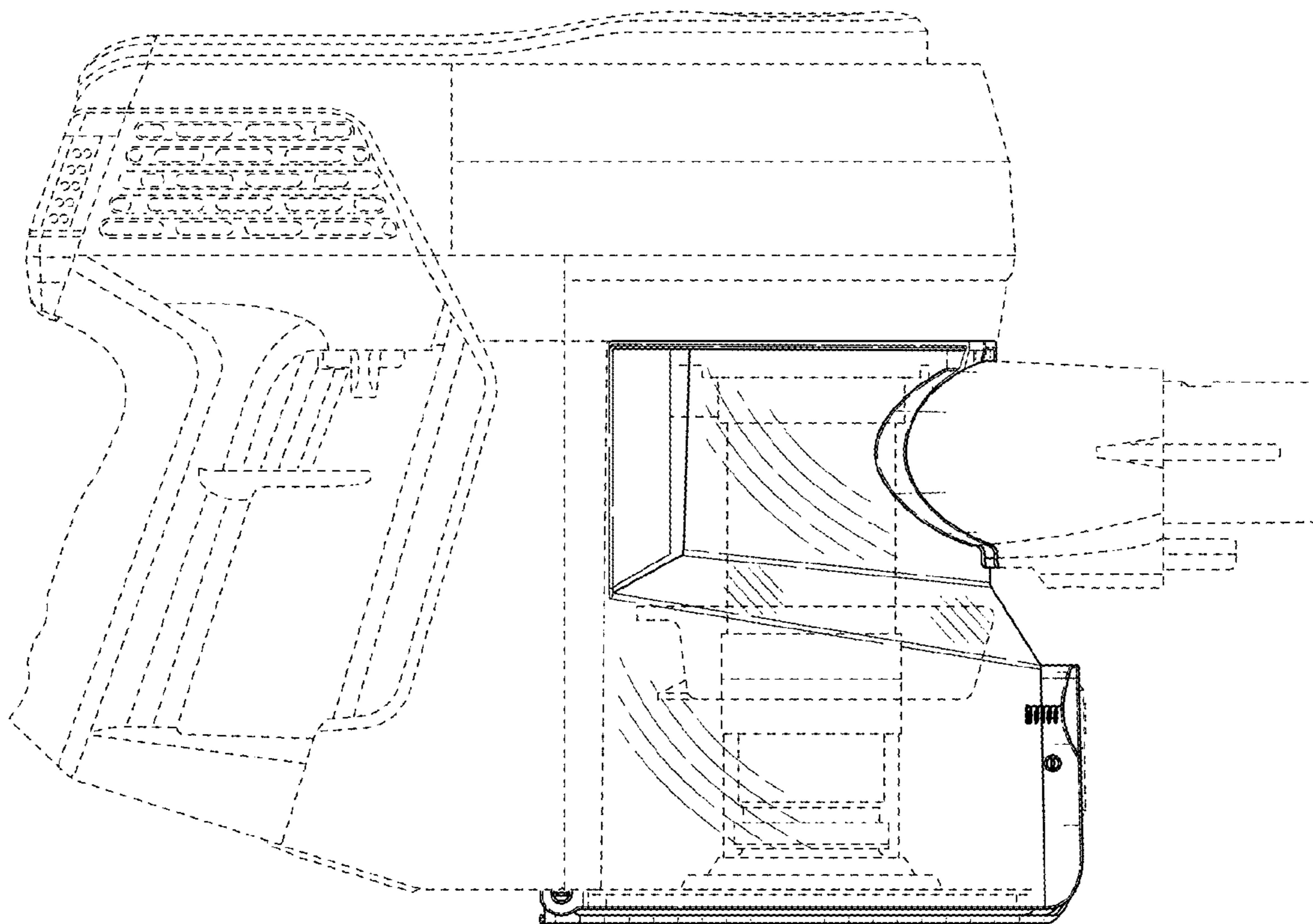


FIG. 3

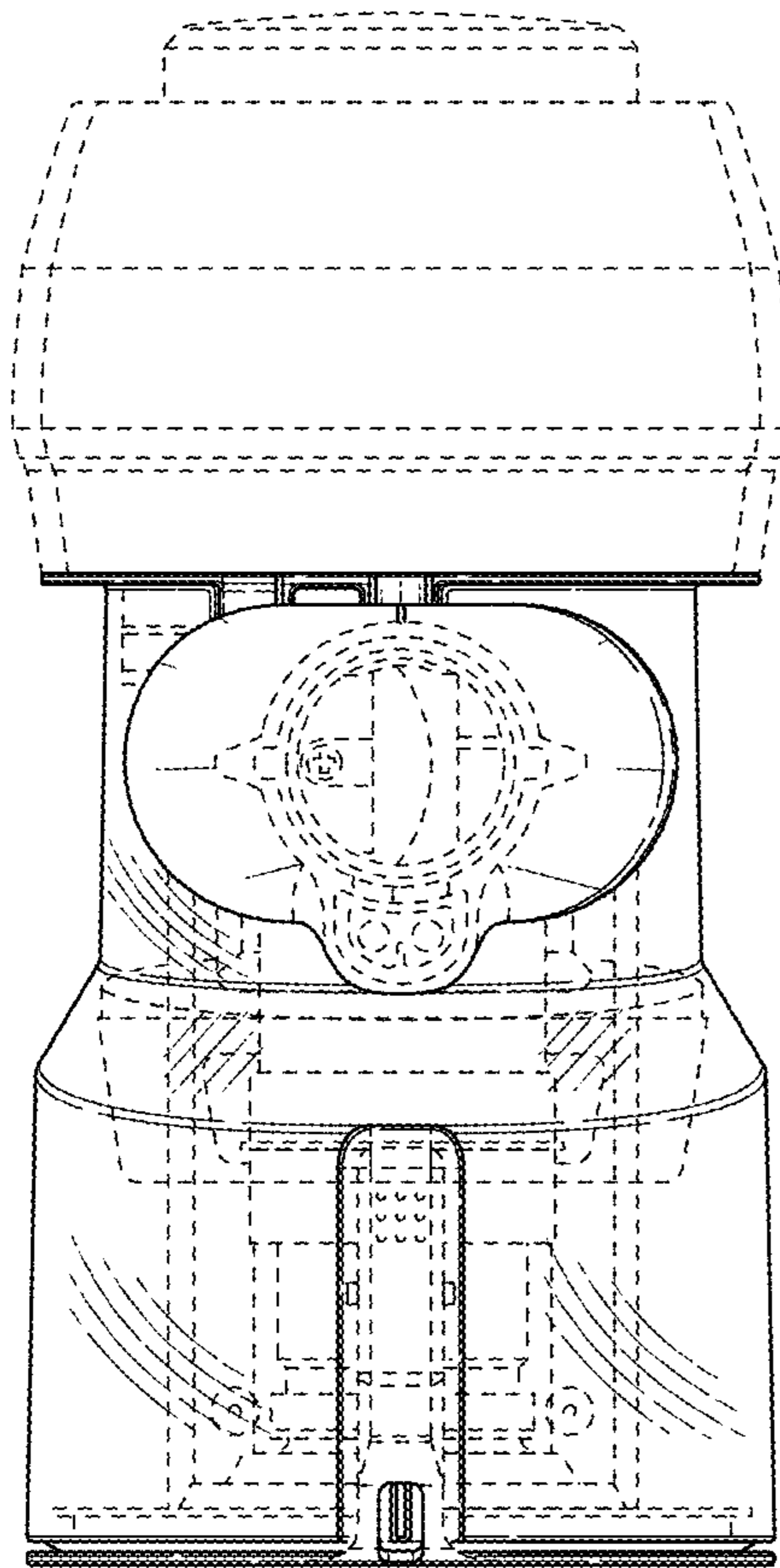


FIG. 4

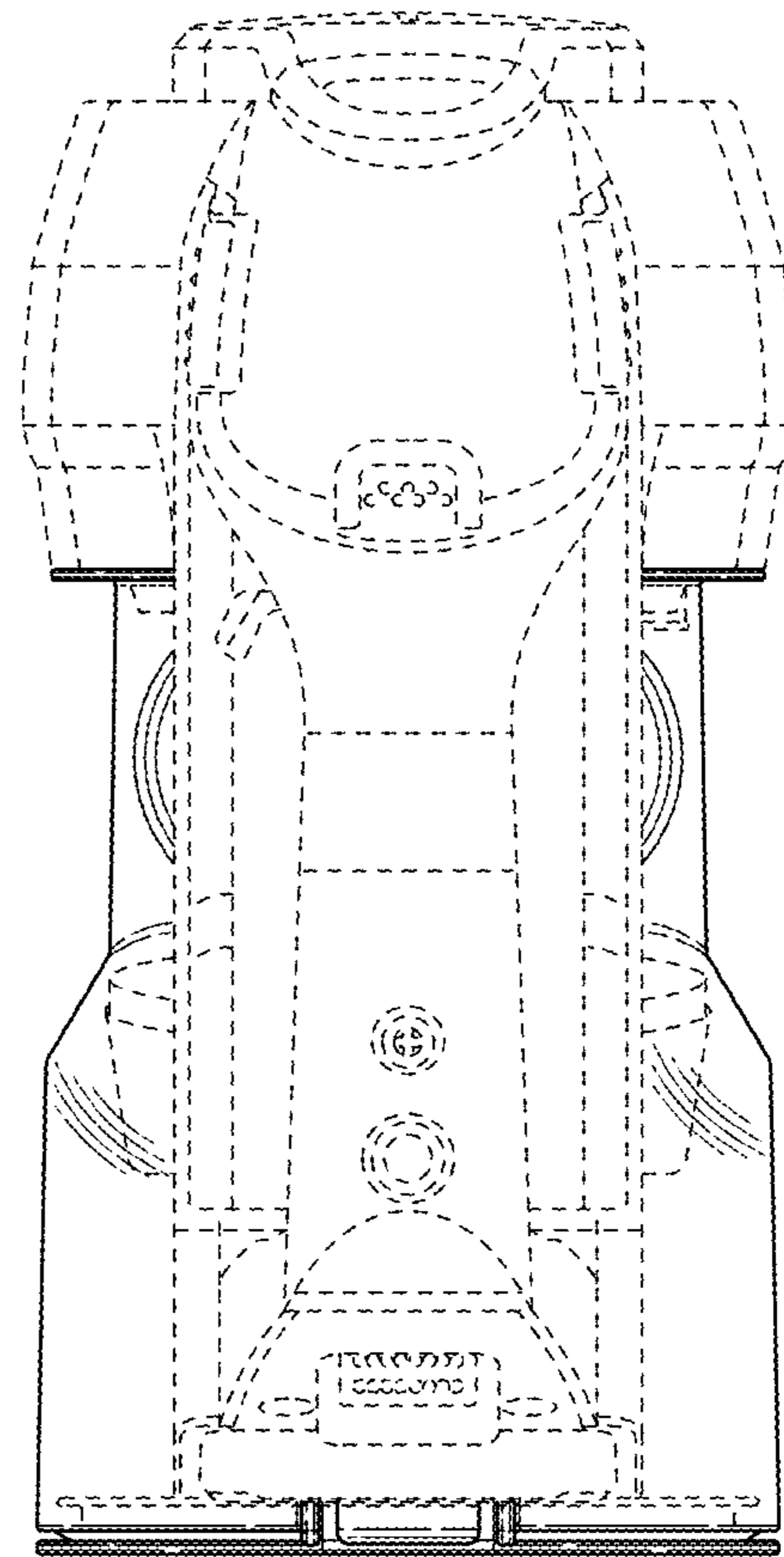


FIG. 5

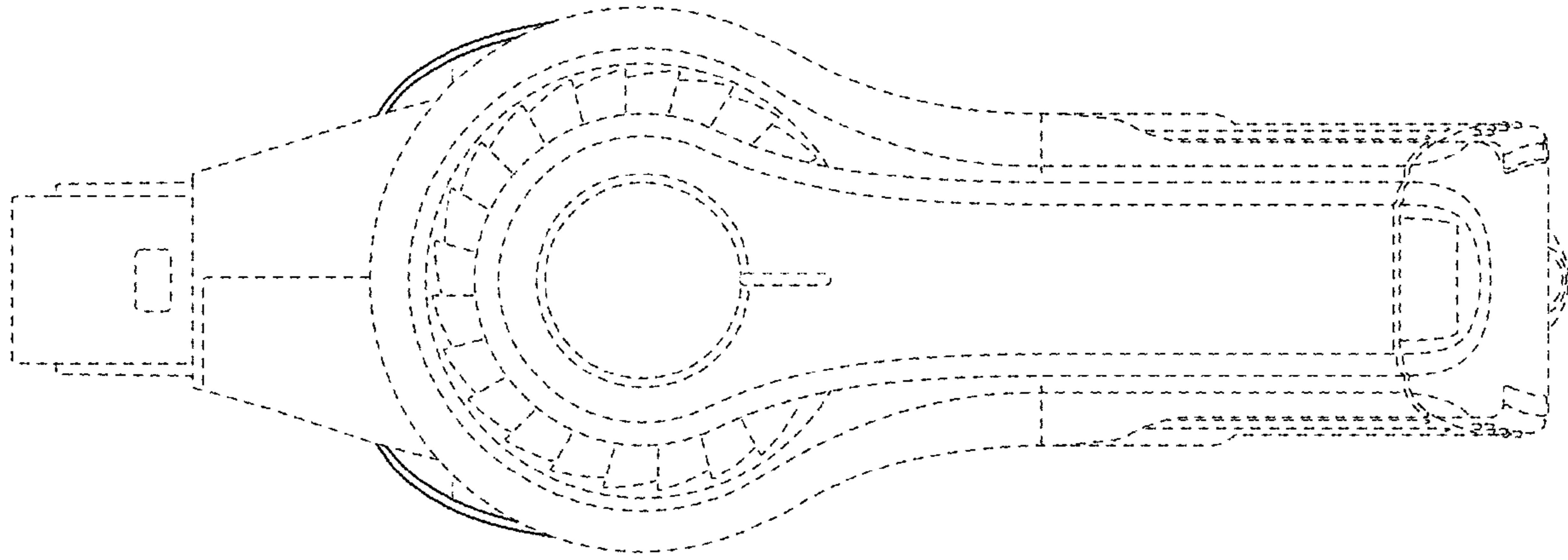


FIG. 6

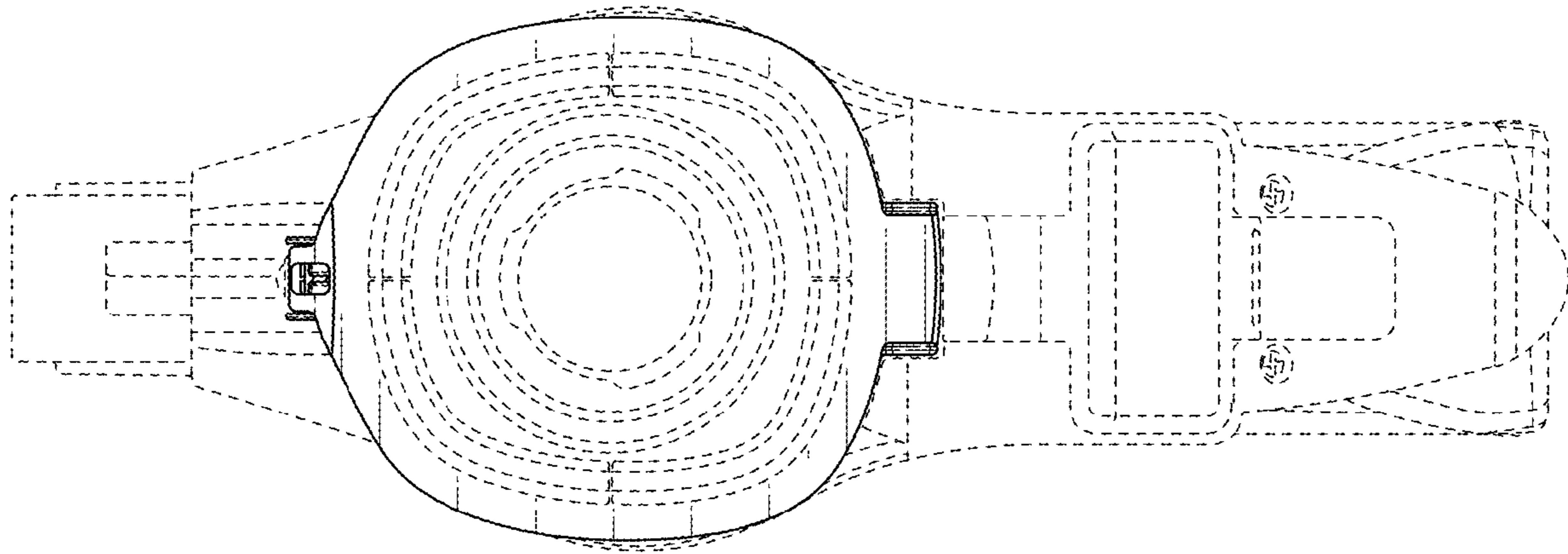


FIG. 7