



US00D872950S

(12) **United States Design Patent** (10) **Patent No.:** **US D872,950 S**
Reissig (45) **Date of Patent:** **** Jan. 14, 2020**

(54) **PET FOOD BOWL**

(56) **References Cited**

(71) Applicant: **VerDeTec GmbH**, Nürnberg (DE)

U.S. PATENT DOCUMENTS

(72) Inventor: **Thomas Reissig**, Feuchtwangen (DE)

D5,806 S * 4/1872 Palmer D11/154
160,539 A * 3/1875 Moses A47G 19/02
220/574

(73) Assignee: **VerDeTec GmbH**, Nürnberg (DE)

D28,094 S * 12/1897 Wojidkow D7/570
D33,072 S * 8/1900 Haviland D7/570
D34,130 S * 2/1901 Vogt D7/568
D34,618 S * 6/1901 Wood D9/780
681,320 A * 8/1901 Hood B67D 1/0871
222/155

(**) Term: **15 Years**

(21) Appl. No.: **29/655,138**

730,082 A * 6/1903 Bates A47G 19/03
220/574.3

(22) Filed: **Jun. 29, 2018**

D36,816 S * 2/1904 Maddock D7/568
D48,340 S * 12/1915 Ketcher D7/570
D50,348 S * 2/1917 Haley D7/565
D50,435 S * 3/1917 Stimpson D8/356
D74,476 S * 2/1928 Bronsther D7/542
D93,785 S * 11/1934 Meinecke D9/453
D95,783 S * 5/1935 Smith D7/570
D109,901 S * 5/1938 Sakier D7/565
2,121,654 A * 6/1938 Donchian A47G 19/02
220/574

Related U.S. Application Data

(62) Division of application No. 29/578,740, filed on Sep. 23, 2016, now Pat. No. Des. 834,765.

(51) **LOC (12) Cl.** **30-03**

(52) **U.S. Cl.**

USPC **D30/129**

(58) **Field of Classification Search**

USPC D30/121, 122, 129-133; 119/61.5, 51.01, 119/61.56, 51.03, 59, 62, 63, 51.5, 57.8, 119/74, 61.54, 61.55; 312/204; 248/151, 248/188; 108/156, 153.1-157; 220/23.87, 630, 737, 743, 9.4, 495.01, 220/574, 212, 255, 23.83, 606, 657, 8; 206/515; D7/566, 586, 543, 550.1, 587, D7/505, 584, 545, 500, 553.1-553.8, 546, D7/555, 556, 504, 565, 562, 602, 676, D7/544, 548, 675, 554.2, 551.1, 672, 677, D7/560, 667, 387, 570; D9/434, 429, D9/425, 603; 43/109; D22/122; 99/430, 99/DIG. 15; D27/106, 113, 114; 229/406; 426/104; D11/143, 152

CPC A01K 5/0114-0142; A01K 7/005

See application file for complete search history.

(Continued)

Primary Examiner — Susan Moon Lee

(74) *Attorney, Agent, or Firm* — Panitch Schwarze Belisario & Nadel LLP

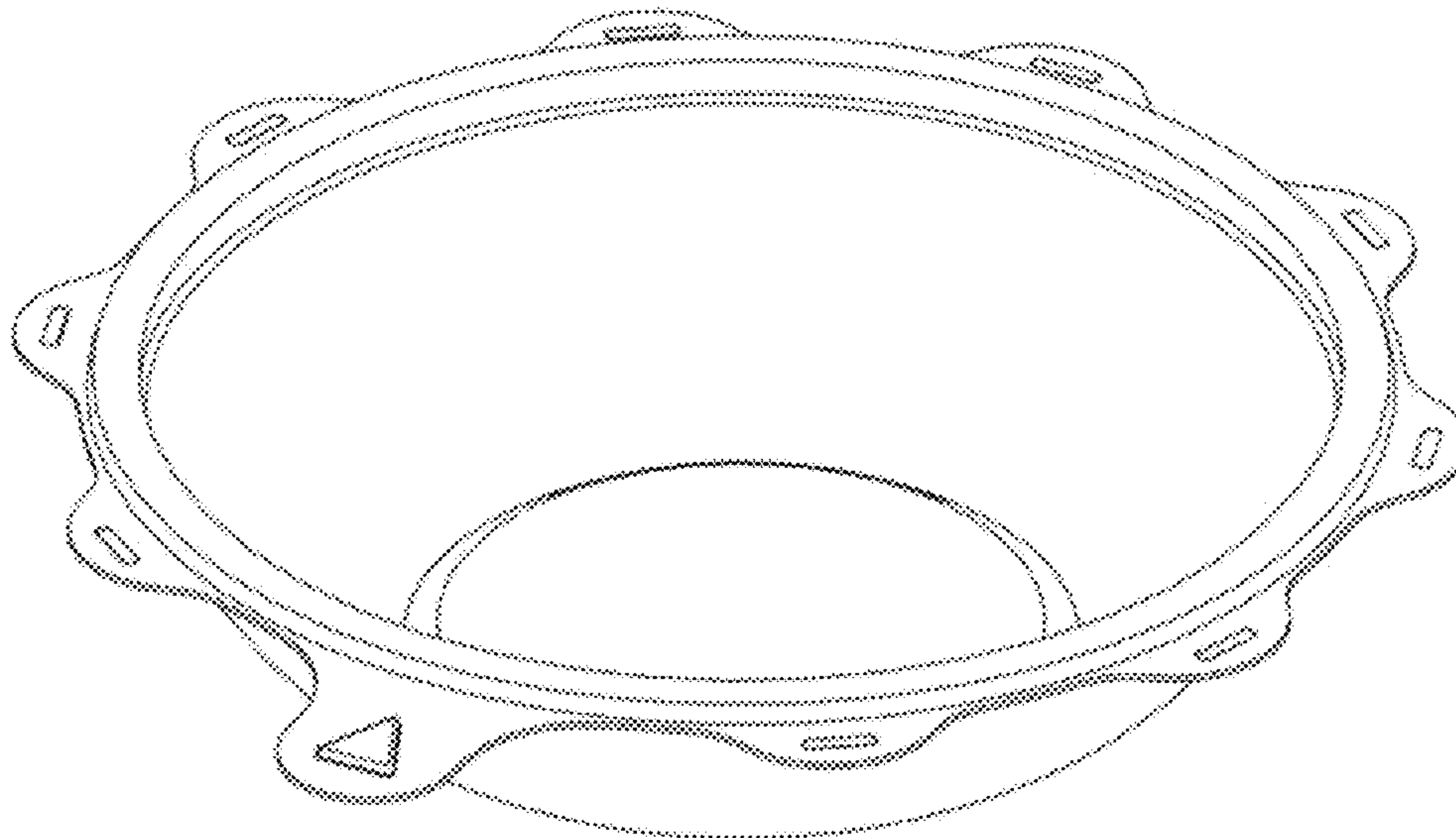
(57) **CLAIM**

The ornamental design for a pet food bowl, as shown and described.

DESCRIPTION

FIG. 1 is a front and top perspective view of a pet food bowl in accordance with my new design;
FIG. 2 is a top plan view thereof;
FIG. 3 is a bottom plan view thereof;
FIG. 4 is a left side elevational view thereof;
FIG. 5 is a right side elevational view thereof;
FIG. 6 is a rear elevational view thereof; and,
FIG. 7 is a front elevational view thereof.

1 Claim, 7 Drawing Sheets



(56)

References Cited

U.S. PATENT DOCUMENTS			
2,170,040	A *	8/1939	Stuart A21B 3/13 220/574
D119,279	S *	3/1940	May D7/565
D126,356	S *	4/1941	Brown D7/570
D146,810	S *	5/1947	Rubel D7/540
D174,733	S *	5/1955	Bordman D26/136
D175,435	S *	8/1955	Moffat D11/151
2,763,421	A *	9/1956	Bennett A47G 19/03 229/406
D179,012	S *	10/1956	Kimble D7/570
D182,779	S *	5/1958	Tupper D9/503
D183,421	S *	8/1958	Foley D7/566
2,929,526	A *	3/1960	Steinberg A47G 23/03 215/393
D192,669	S *	4/1962	Chambers D7/570
3,076,579	A *	2/1963	Kuhlman A47G 19/03 220/574.3
3,124,282	A *	3/1964	Winstead B65D 25/42 222/569
D200,819	S *	4/1965	Perun D9/434
3,285,694	A	11/1966	Marchi
D209,677	S	12/1967	Robert
D217,006	S *	3/1970	Michalek D7/388
D217,360	S	4/1970	Robert
3,527,192	A *	9/1970	Ferrara A01K 5/0128 119/61.5
D219,748	S *	1/1971	Bixler D7/554.1
3,991,719	A *	11/1976	Bruce A01K 5/0128 119/61.5
D244,247	S *	5/1977	Jensen D7/545
D256,756	S *	9/1980	Painter D7/584
D257,494	S	11/1980	Imhoff
D260,043	S	7/1981	Robinson
D260,371	S *	8/1981	Imm D9/452
D263,668	S *	4/1982	Knutson D7/570
D271,651	S *	12/1983	Knutson D7/570
D271,835	S *	12/1983	Knutson D7/570
D278,588	S *	4/1985	Knutson D7/570
D280,482	S *	9/1985	Knutson D7/570
D280,689	S *	9/1985	Knutson D7/570
D287,404	S *	12/1986	Johansson D24/121
D296,640	S *	7/1988	Miller D7/360
4,828,134	A *	5/1989	Ferlanti A47G 19/03 220/23.88
D302,403	S *	7/1989	Heras D11/143
D306,073	S *	2/1990	Klitsner D21/468
D306,074	S *	2/1990	Klitsner D21/468
5,031,575	A *	7/1991	Phillips A01K 5/0142 119/61.53
D328,408	S *	8/1992	De Are D7/566
D330,785	S *	11/1992	Jordan D30/129
D330,816	S	11/1992	Phillips
D331,538	S	12/1992	Fabre et al.
D339,525	S *	9/1993	Morris, Sr. D9/435
5,297,504	A	3/1994	Carrico
D349,005	S *	7/1994	Cousins D7/543
D351,263	S *	10/1994	Evans D30/129
D352,455	S *	11/1994	Balson D9/434
D365,276	S *	12/1995	Dinand D9/504
D369,108	S *	4/1996	Haske D9/447
5,577,461	A *	11/1996	Sebastian A01K 5/0121 119/51.5
5,626,258	A *	5/1997	Maiorino B44D 3/128 220/695
D383,225	S	9/1997	Wolfard et al.
5,709,168	A *	1/1998	Walker A01K 5/01 119/61.5
5,845,605	A	12/1998	Malamphy
D405,561	S *	2/1999	Willinger D30/129
D406,925	S	3/1999	Sharon
D412,605	S	8/1999	Sharon
D413,835	S *	9/1999	Guarriello D11/143
D415,391	S *	10/1999	Henry D7/354
D419,383	S *	1/2000	Wellner D7/543
6,026,739	A *	2/2000	Dernoga A21B 3/135 99/433
D423,733	S *	4/2000	Choi D30/129
D448,978	S	10/2001	Isbell
D449,965	S *	11/2001	Liu D7/540
D450,089	S *	11/2001	Liu D8/98
D450,218	S *	11/2001	Liu D7/501
D452,417	S *	12/2001	Whitmore D7/543
D457,777	S *	5/2002	Bradley D7/354
6,390,323	B1	5/2002	Alticosalian
D458,540	S *	6/2002	Clements D9/516
D461,686	S *	8/2002	Ping Liu D7/554.1
D465,884	S	11/2002	Ross
D472,145	S *	3/2003	Nottingham D9/443
D475,581	S *	6/2003	Lillelund D7/629
D482,296	S *	11/2003	Chaine D11/143
D484,747	S *	1/2004	McMahon, III D7/387
D485,179	S *	1/2004	Kouri D9/435
D491,320	S *	6/2004	Cole D30/129
D491,321	S	6/2004	Wolf
D491,322	S	6/2004	Wolf
D491,696	S *	6/2004	Cole D30/129
6,840,191	B2 *	1/2005	Gaspary A01K 5/0128 119/61.5
D501,364	S *	2/2005	Tranfaglia D7/543
D501,762	S *	2/2005	Wolhendler D7/566
6,892,896	B2 *	5/2005	Barniak, Jr. A47J 36/34 220/23.91
D508,824	S *	8/2005	Vendl D7/554.2
D514,445	S *	2/2006	Smith D9/447
D519,317	S *	4/2006	Hayes D7/396.5
D520,303	S *	5/2006	Hayes D7/545
D520,812	S *	5/2006	Hayes D7/396.1
D522,809	S *	6/2006	Kusuma B65D 21/086 D7/602
D524,099	S *	7/2006	Czebiniak D7/396.1
D526,537	S	8/2006	Rosenberg et al.
D541,994	S *	5/2007	Dana D30/129
D545,124	S *	6/2007	Hawkins D7/409
D548,013	S *	8/2007	Laquitaine D7/566
D548,532	S *	8/2007	Frank D7/566
D551,024	S *	9/2007	Rouso D7/555
D551,910	S *	10/2007	Rouso D7/566
D564,138	S *	3/2008	Dunn D30/129
D573,842	S *	7/2008	Friedland D7/566
D575,990	S *	9/2008	Altiner D7/566
D576,448	S *	9/2008	Harris D7/505
D582,101	S *	12/2008	Shamoon D30/129
D588,413	S *	3/2009	Frank D7/500
D589,300	S *	3/2009	Altiner D7/392.1
D589,301	S *	3/2009	Altiner D7/392.1
D590,109	S	4/2009	Anderson et al.
D593,364	S *	6/2009	Harris D7/505
D601,385	S *	10/2009	Savage D7/543
D604,563	S *	11/2009	Kipry D7/543
D611,813	S *	3/2010	van den Hoonaard D9/452
D616,251	S *	5/2010	Heiberg D7/566
7,789,041	B1	9/2010	Taylor
D625,885	S	10/2010	Bianchi
7,913,648	B2 *	3/2011	Maeda A01K 7/027 119/51.5
D635,635	S	4/2011	Pryor
D653,914	S	2/2012	Lutz
D679,552	S	4/2013	Housley et al.
D679,553	S	4/2013	Williams et al.
D680,813	S *	4/2013	De Leo D7/543
D681,459	S *	5/2013	Ramsey D9/452
D682,482	S *	5/2013	Nelson D30/129
D682,619	S *	5/2013	Lee D7/543
D687,938	S	8/2013	Furner et al.
D696,074	S *	12/2013	Shamoon D7/527
8,627,786	B2 *	1/2014	Arthur A01K 5/0283 119/51.02
D700,751	S	3/2014	Gilkey et al.
D701,005	S	3/2014	Gilkey et al.
D702,338	S *	4/2014	Jones D23/393
D702,404	S *	4/2014	Leung D30/129
D703,393	S	4/2014	Henley
D706,088	S *	6/2014	De Leo D7/667

(56)

References Cited

U.S. PATENT DOCUMENTS

D710,699 S *	8/2014	Phelps	D9/452	D834,765 S *	11/2018	Reissig	D30/129
D715,594 S *	10/2014	Norland	D7/545	D840,760 S *	2/2019	Carrette	D7/602
8,919,590 B2 *	12/2014	Gillette	B65D 21/0204	D840,812 S *	2/2019	Holmes	D9/443
				220/23.87	D848,800 S *	5/2019	Tunstall	D7/667
8,973,529 B1 *	3/2015	Tsengas	A01K 5/0114	D853,663 S *	7/2019	Song	D30/129
				119/61.56	2002/0179796 A1	12/2002	Kaupp et al.		
D726,981 S	4/2015	Yessin			2004/0011934 A1	1/2004	Czepowicz et al.		
D731,260 S *	6/2015	Cotter	D7/667	2004/0194716 A1 *	10/2004	Morrison	A01K 5/0135
D741,663 S *	10/2015	Hansen	D7/625					119/61.1
D744,173 S	11/2015	Jones et al.			2005/0039689 A1	2/2005	Mossmer		
D744,174 S	11/2015	Jones et al.			2005/0127073 A1 *	6/2005	Kusuma	B65D 21/086
D755,447 S	5/2016	Andrews et al.							220/6
9,339,007 B2 *	5/2016	Roth	A01K 5/00	2006/0005775 A1	1/2006	Ritchey et al.		
D758,674 S	6/2016	Youn			2006/0027176 A1 *	2/2006	McQuade	A01K 5/01
D773,126 S *	11/2016	Scaba	D30/129					119/61.5
D782,127 S *	3/2017	Wechsler	D30/121	2006/0113200 A1	6/2006	Abkarian et al.		
D782,128 S *	3/2017	Wechsler	D30/121	2006/0278168 A1 *	12/2006	Behun	A01K 5/0128
D782,304 S *	3/2017	Cetti	D9/435					119/61.5
D788,532 S *	6/2017	Knutson	D7/570	2007/0034161 A1 *	2/2007	Thompson	A01K 5/0114
D788,533 S *	6/2017	Knutson	D7/570					119/61.5
D788,535 S *	6/2017	Knutson	D7/570	2007/0151010 A1 *	7/2007	Ellerbe	A01K 5/0135
D788,537 S *	6/2017	Knutson	D7/570					4/300.3
D789,151 S *	6/2017	Knutson	D7/570	2009/0041910 A1 *	2/2009	Rabinovitch	A01K 5/0128
9,695,289 B1 *	7/2017	Bao	C08K 3/26					426/115
9,723,812 B2	8/2017	Jones et al.			2009/0126641 A1	5/2009	Anderson et al.		
D797,521 S	9/2017	Kellow, Jr.			2010/0012042 A1	1/2010	Lee		
9,750,358 B2	9/2017	Jagger			2010/0275852 A1	11/2010	Lipscomb et al.		
D815,943 S *	4/2018	Candelaria	D9/443	2011/0162583 A1 *	7/2011	Rostamo	A01K 5/0128
D816,494 S *	5/2018	Candelaria	D9/443					119/61.5
D817,110 S	5/2018	Kellow, Jr.			2014/0342034 A1	11/2014	Buschmann et al.		
D818,229 S *	5/2018	Ha	D32/29.1	2014/0373790 A1 *	12/2014	Asimou	A01K 5/0121
D820,535 S *	6/2018	Caruso	D30/133					119/61.5
9,992,970 B2 *	6/2018	Abbey	A01K 5/00	2015/0059651 A1 *	3/2015	Talt	A01K 5/0121
D823,643 S *	7/2018	Paul	D7/584					119/61.5
D828,100 S *	9/2018	Lai	D7/566	2015/0101543 A1	4/2015	Baxter et al.		
D830,171 S *	10/2018	Holmes	D9/443	2015/0230638 A1	8/2015	Jagger		
					2018/0014505 A1	1/2018	Macneil et al.		

* cited by examiner

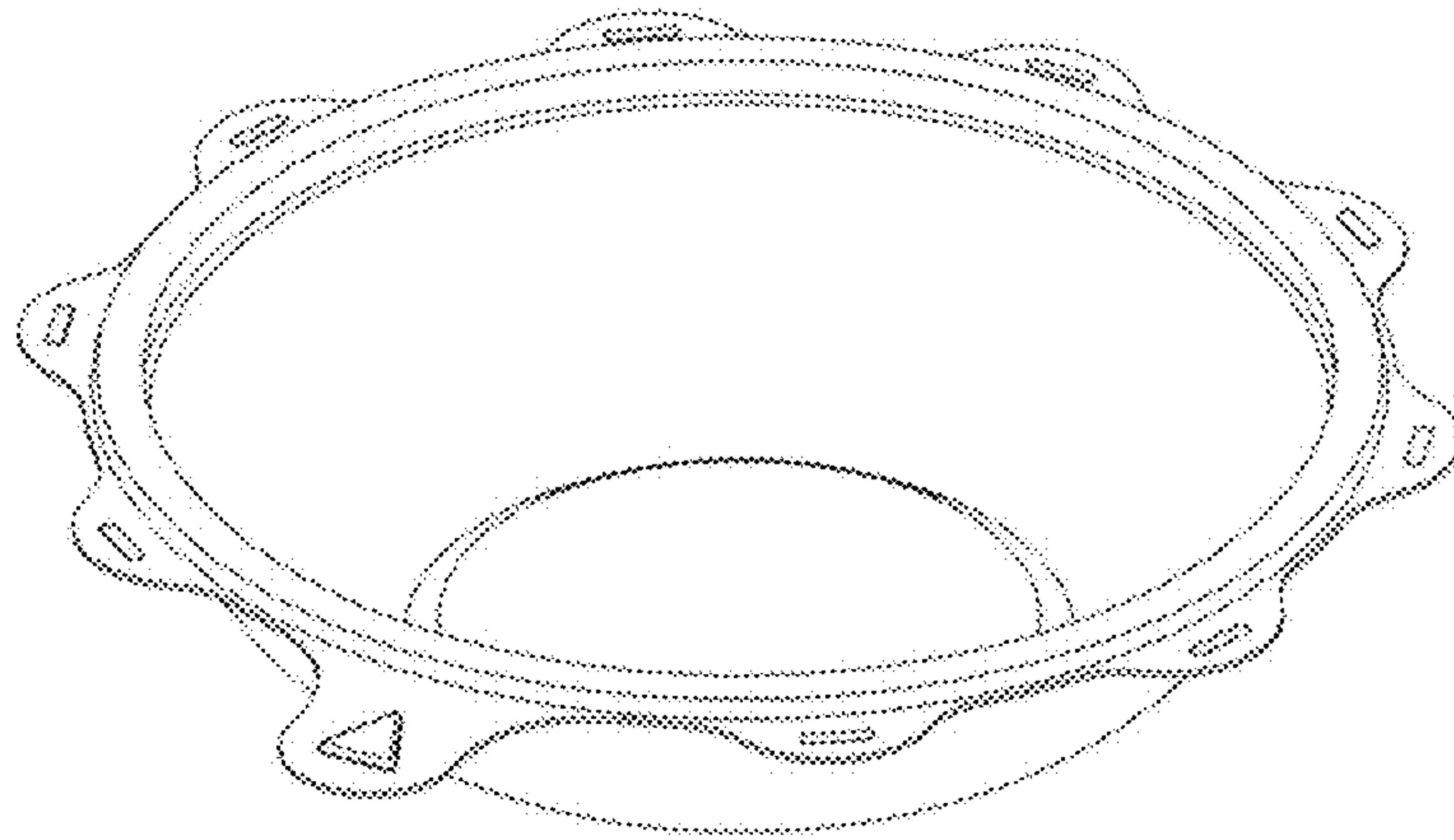


Fig. 1

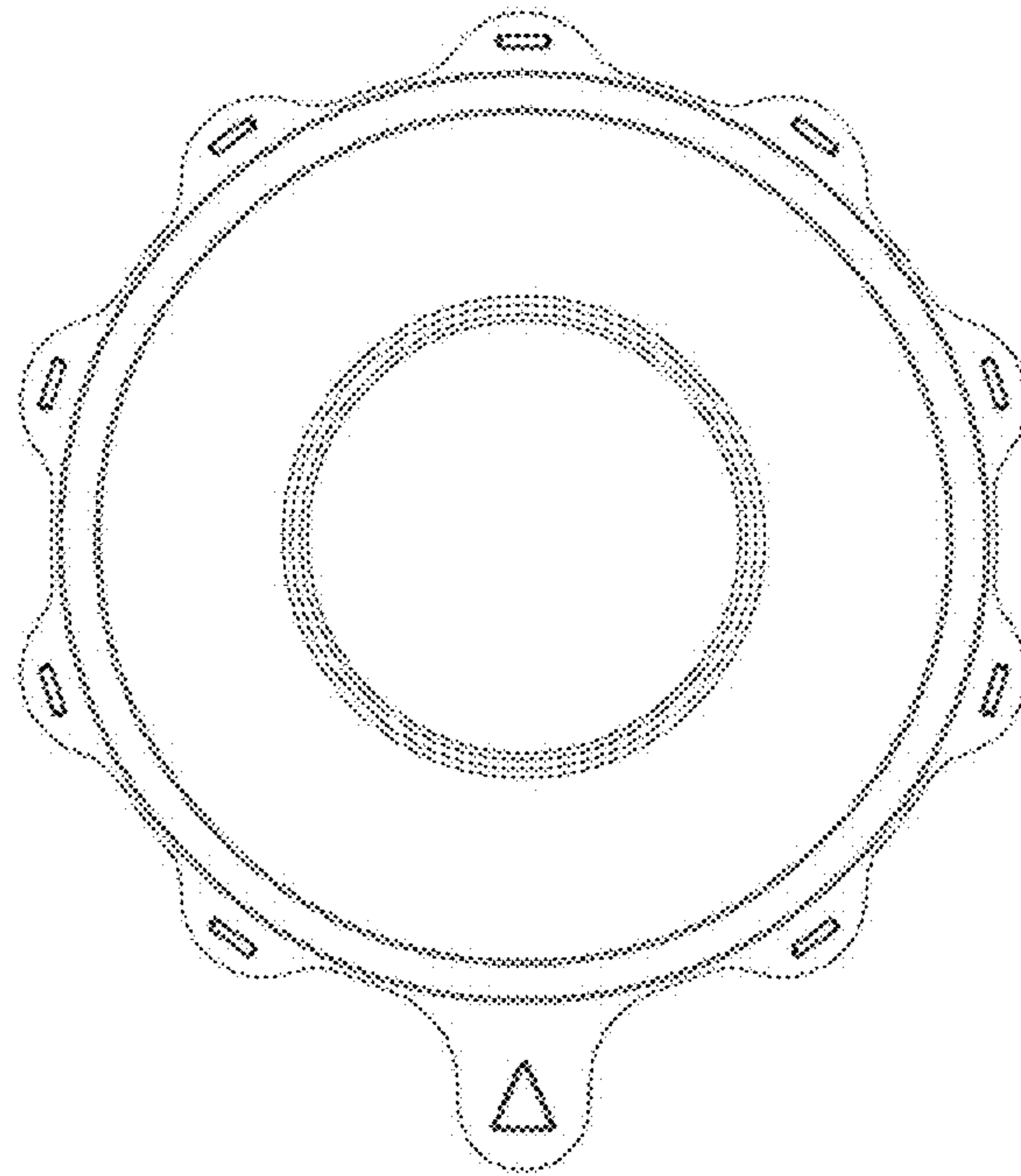


Fig. 2

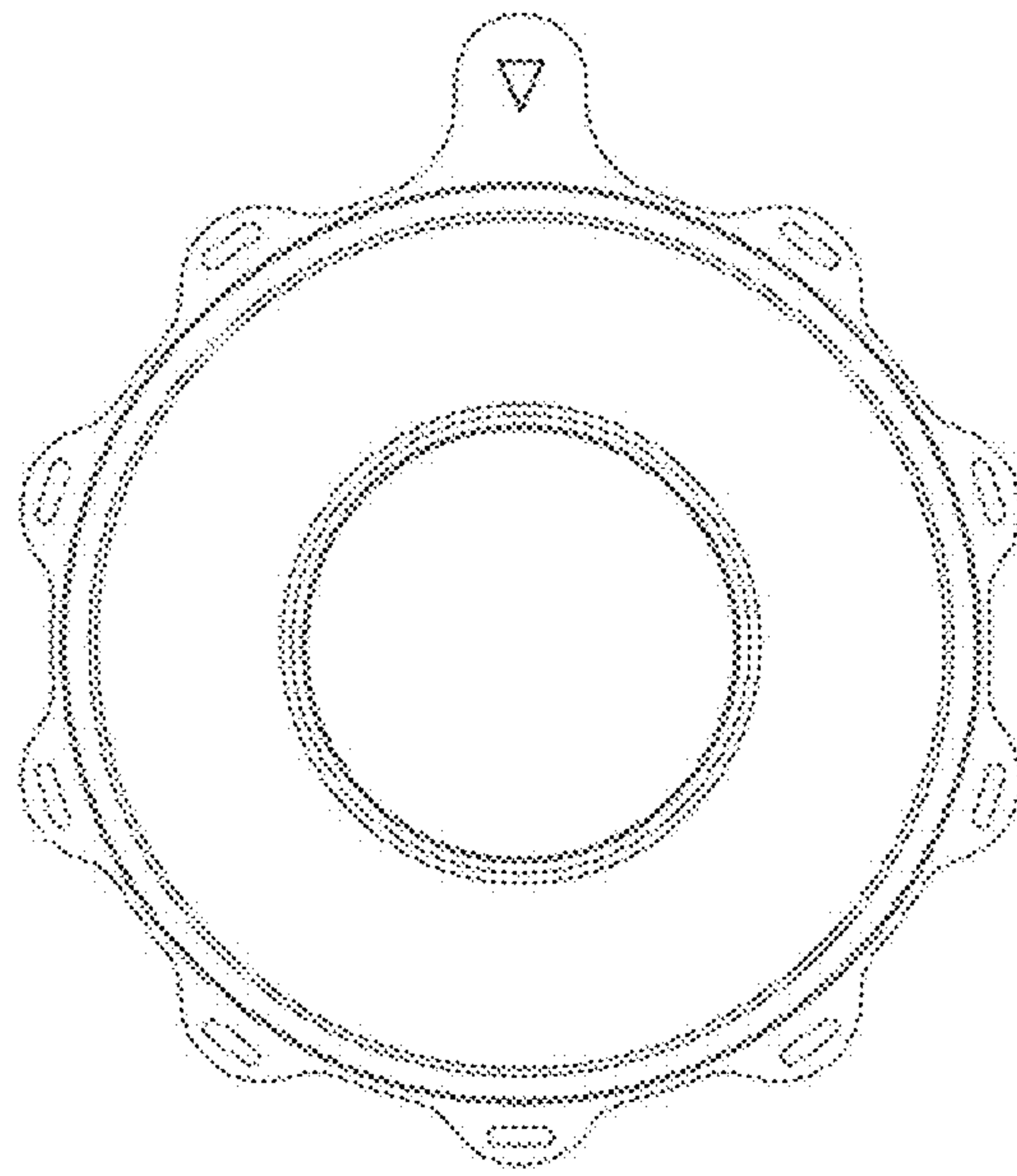


Fig. 3

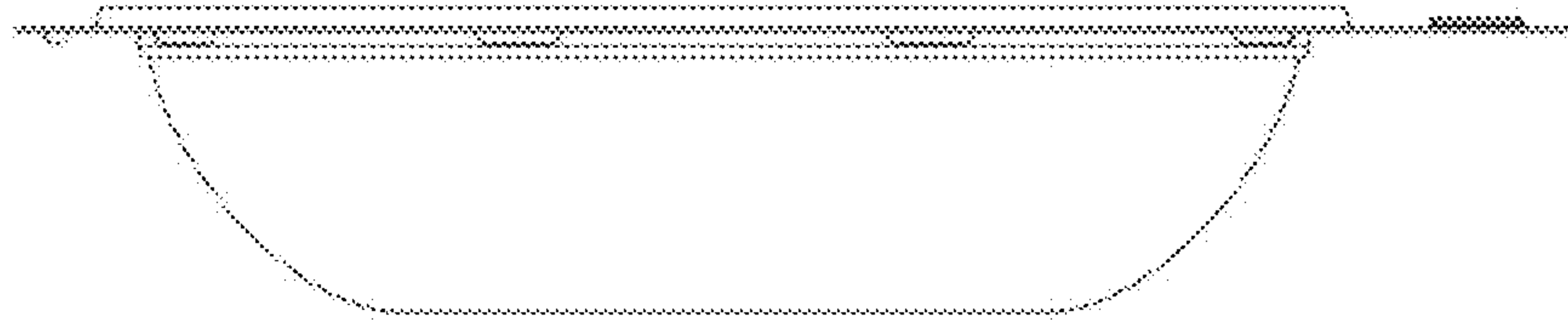


Fig. 4

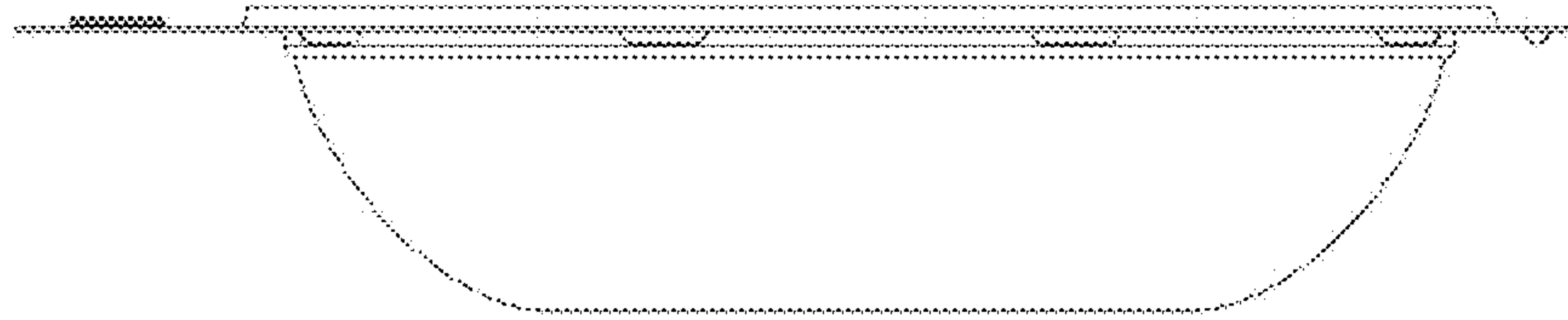


Fig. 5

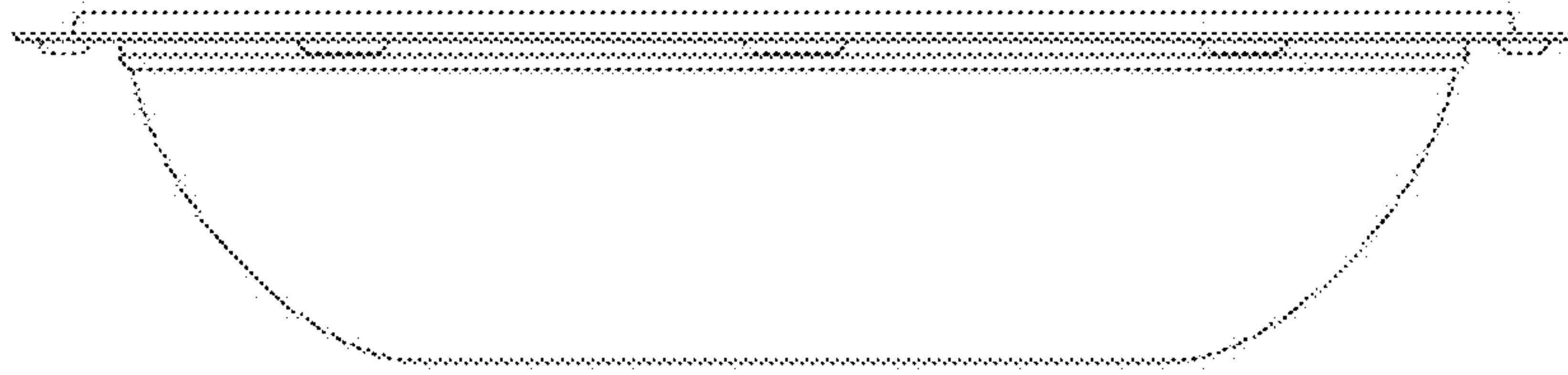


Fig. 6

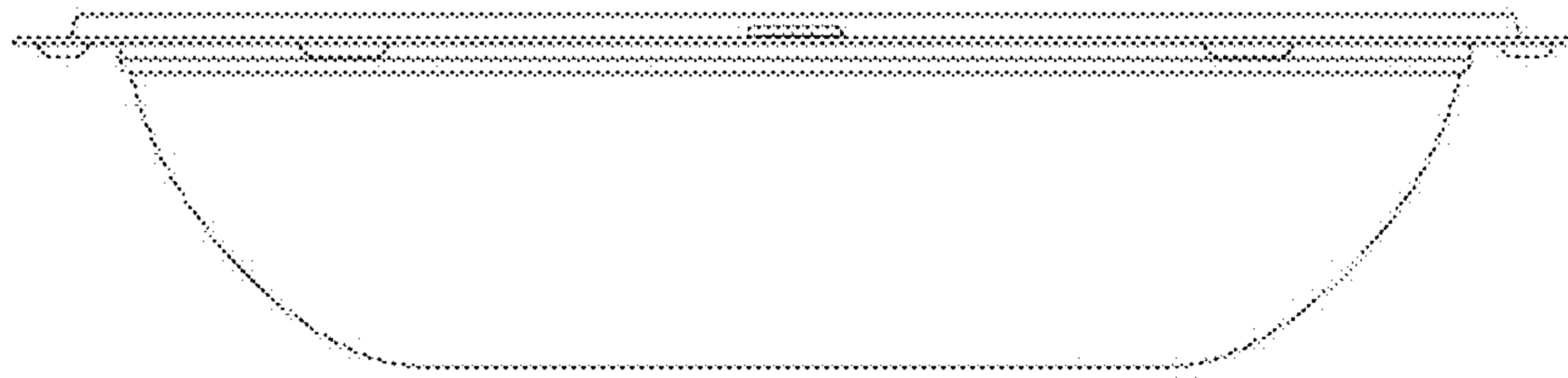


Fig. 7