



US00D872948S

(12) **United States Design Patent**  
**Haney**

(10) **Patent No.:** **US D872,948 S**  
(45) **Date of Patent:** **\*\* Jan. 14, 2020**

(54) **BIRD FEEDER**

(71) Applicant: **WOODSTREAM CORPORATION**,  
Lititz, PA (US)

(72) Inventor: **Luke Benjamin Haney**, Lititz, PA (US)

(73) Assignee: **WOODSTREAM CORPORATION**,  
Lititz, PA (US)

(\*\*) Term: **15 Years**

(21) Appl. No.: **29/643,169**

(22) Filed: **Apr. 5, 2018**

(51) **LOC (12) Cl.** ..... **30-03**

(52) **U.S. Cl.**  
USPC ..... **D30/124; D30/127**

(58) **Field of Classification Search**  
USPC ..... D30/121, 124, 127, 128, 133, 114, 115,  
D30/116, 117, 118, 119, 125, 126;  
119/51.03, 57.8, 51.01, 52.2, 710, 711,  
119/52.3, 464, 707, 709, 57.9, 124, 51.04;  
43/2, 131; 47/86, 65, 65.5, 67, 39, 41.12,  
47/79; 426/1, 439, 556; D11/121, 120,  
D11/79, 117; 428/10, 18, 27; D7/352,  
D7/356; 156/256, 263; 66/170; 99/372,  
99/377, 403; 425/318, 395, 404;  
248/175, 27.8; 211/85.31, 88.03, 23;  
362/122, 227, 249.15, 249.16, 249.18,  
362/806; D9/569, 538-543, 516, 545,  
D9/556-559; D22/119, 122

CPC .... A01K 39/02; A01K 39/0206; A01K 39/04;  
A01K 39/012; A01K 39/026; A01K  
39/024; A01K 39/022; A01K 39/0125;  
A01K 39/01; A01K 39/00; A01K  
39/0113; A01K 39/06

See application file for complete search history.

4,732,112 A \* 3/1988 Fenner ..... A01K 39/012  
119/52.2

D347,714 S \* 6/1994 Maple ..... D30/128

5,479,879 A \* 1/1996 Biek ..... A01K 39/0113  
119/52.2

5,682,835 A \* 11/1997 Walter ..... A01K 39/012  
119/57.8

D521,193 S \* 5/2006 Lombard ..... D30/124

D606,708 S \* 12/2009 McMullen ..... D30/127

D606,709 S \* 12/2009 McMullen ..... D30/127

D683,909 S \* 6/2013 Muhr ..... D30/124

D698,099 S \* 1/2014 Muhr ..... D30/124

D698,100 S \* 1/2014 Muhr ..... D30/124

D698,501 S \* 1/2014 Muhr ..... D30/124

8,763,556 B1 \* 7/2014 Vaughn, Jr. .... A01K 39/0206  
119/52.2

(Continued)

*Primary Examiner* — Susan Moon Lee

(74) *Attorney, Agent, or Firm* — Jacobson Holman,  
PLLC.

(57) **CLAIM**

I claim the ornamental design for a bird feeder, as shown and described.

**DESCRIPTION**

FIG. 1 is a front perspective view of a bird feeder embodying my design;

FIG. 2 is a front elevation view of the bird feeder of FIG. 1, the back elevation view being identical;

FIG. 3 is a right side view of the bird feeder of FIG. 1, the left side view being identical;

FIG. 4 is a bottom perspective view of the bird feeder of FIG. 1;

FIG. 5 is a top plan view thereof; and,

FIG. 6 is a bottom view thereof.

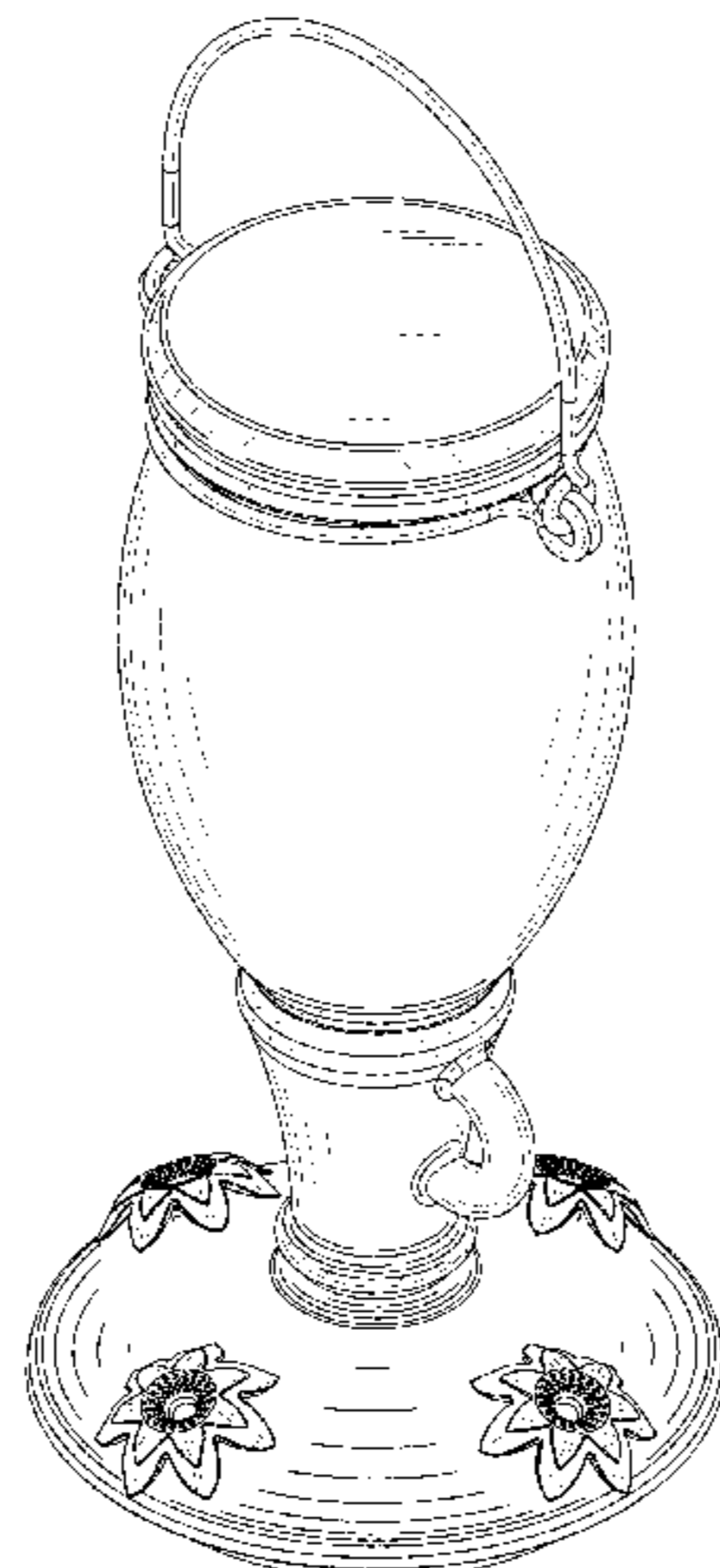
**1 Claim, 6 Drawing Sheets**

(56) **References Cited**

U.S. PATENT DOCUMENTS

2,875,729 A \* 3/1959 Gibson ..... A01K 39/012  
119/52.2

3,125,069 A \* 3/1964 Fowler ..... A01K 39/0206  
119/77



(56)

**References Cited**

U.S. PATENT DOCUMENTS

D728,864 S \* 5/2015 Schroeder ..... D30/124  
D821,659 S \* 6/2018 Nifong ..... D30/124  
2001/0029899 A1\* 10/2001 Arlitt ..... A01K 39/0206  
119/77  
2006/0124067 A1\* 6/2006 Taylor ..... A01K 39/0113  
119/72  
2007/0289540 A1\* 12/2007 Stone ..... A01K 39/02  
119/72  
2009/0145875 A1\* 6/2009 Gardner ..... A01K 39/02  
215/228  
2009/0320765 A1\* 12/2009 Gauker ..... A01K 39/02  
119/75  
2010/0089330 A1\* 4/2010 McMullen ..... A01K 39/012  
119/52.3  
2010/0192866 A1\* 8/2010 McMullen ..... A01K 39/014  
119/77  
2012/0216750 A1\* 8/2012 Cruz ..... A01K 39/0206  
119/72  
2013/0284103 A1\* 10/2013 Colvin ..... A01K 39/024  
119/78  
2015/0122186 A1\* 5/2015 Donegan ..... A01K 39/0113  
119/51.5  
2016/0007574 A1\* 1/2016 Lipford ..... A01K 39/0206  
119/72  
2017/0311575 A1\* 11/2017 Kong ..... A01K 39/01  
2019/0166804 A1\* 6/2019 Bartholow ..... A01K 39/0113

\* cited by examiner

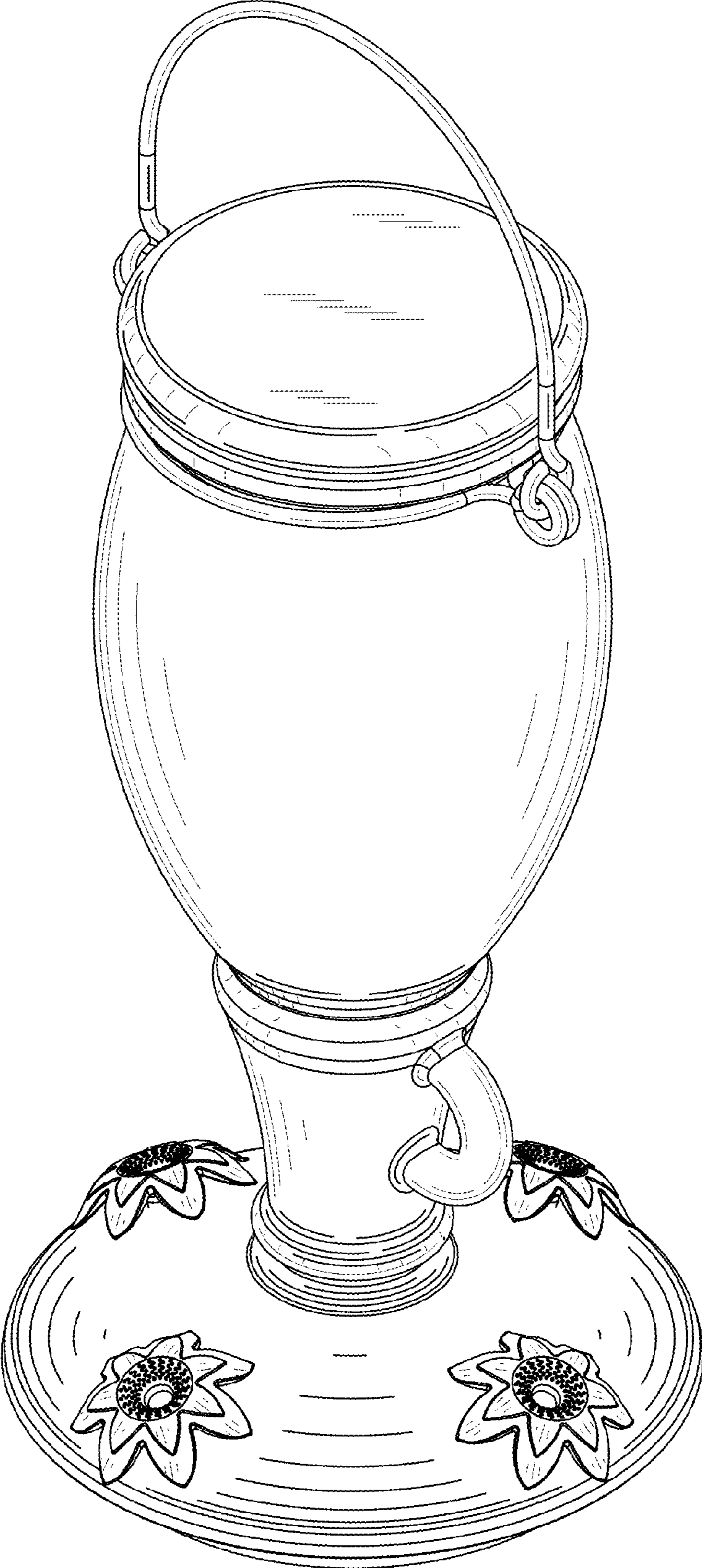


FIG. 1

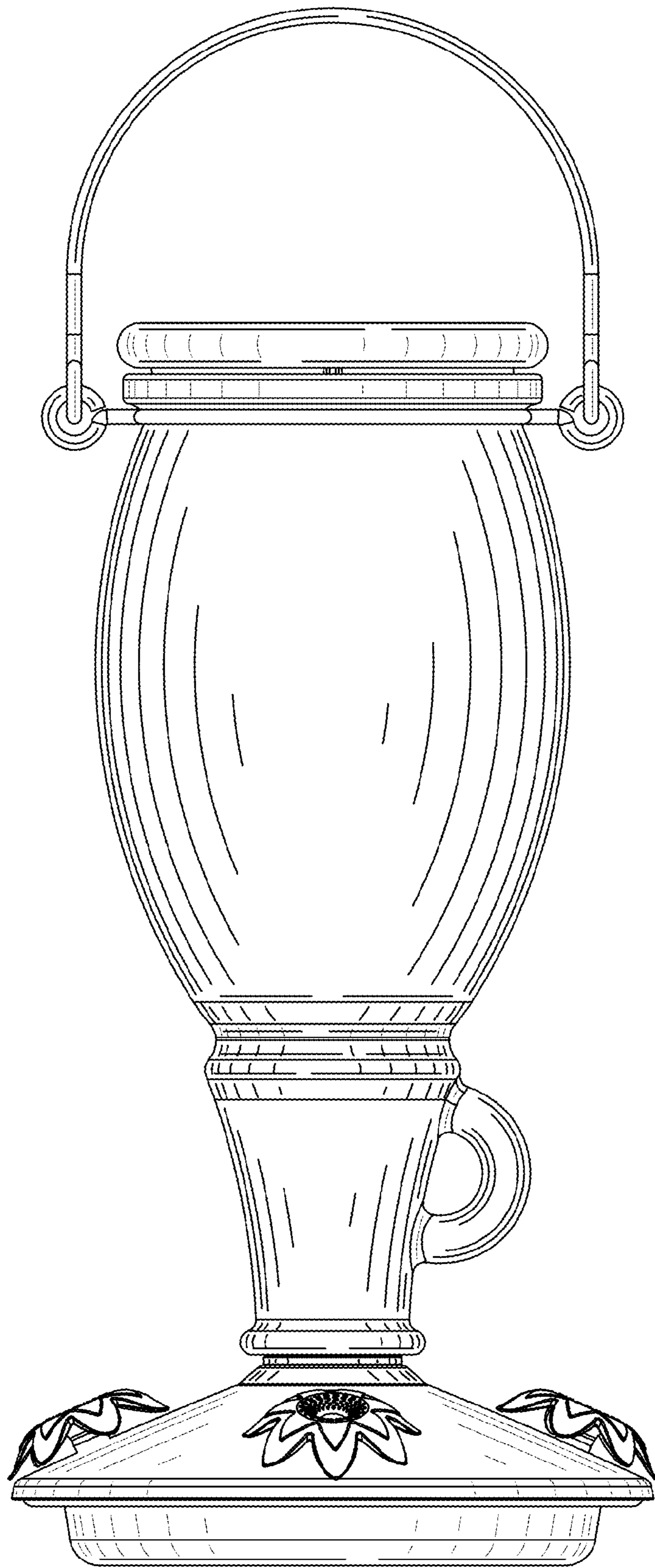


FIG. 2

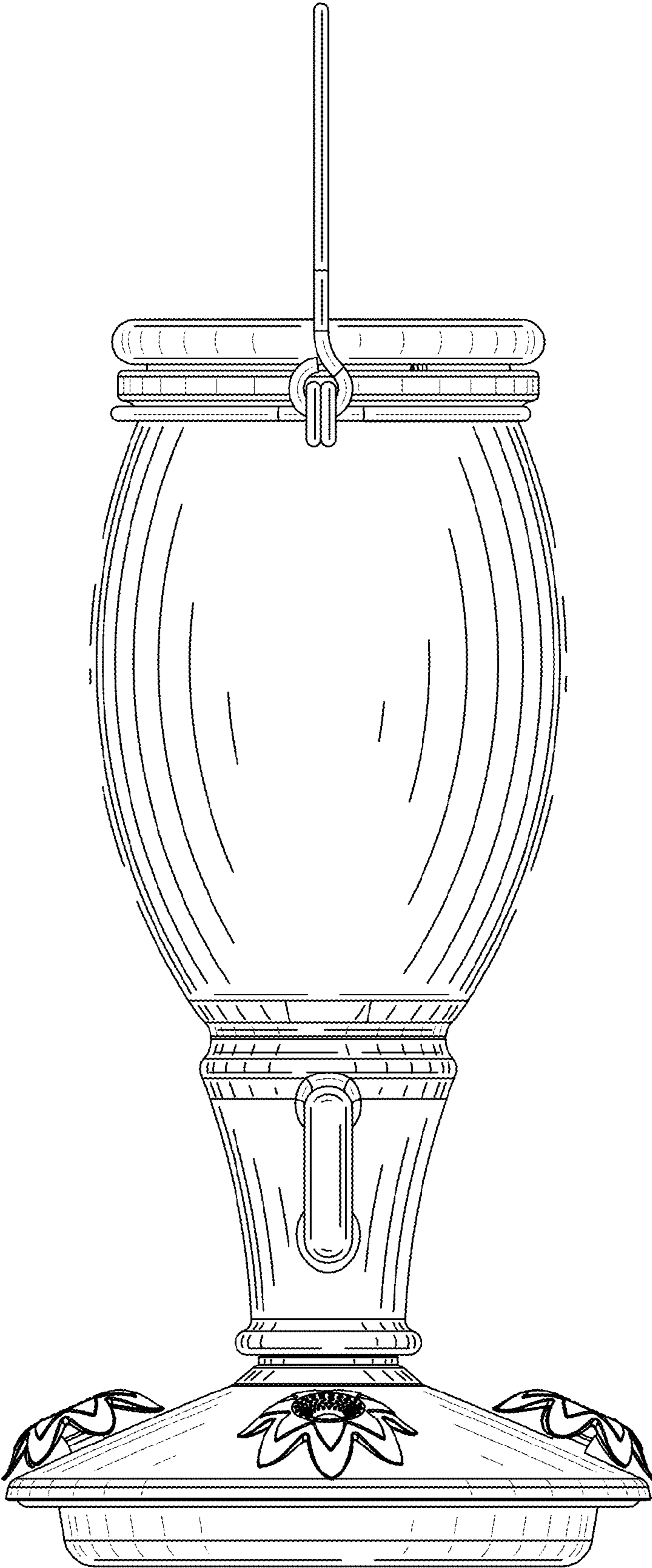


FIG. 3

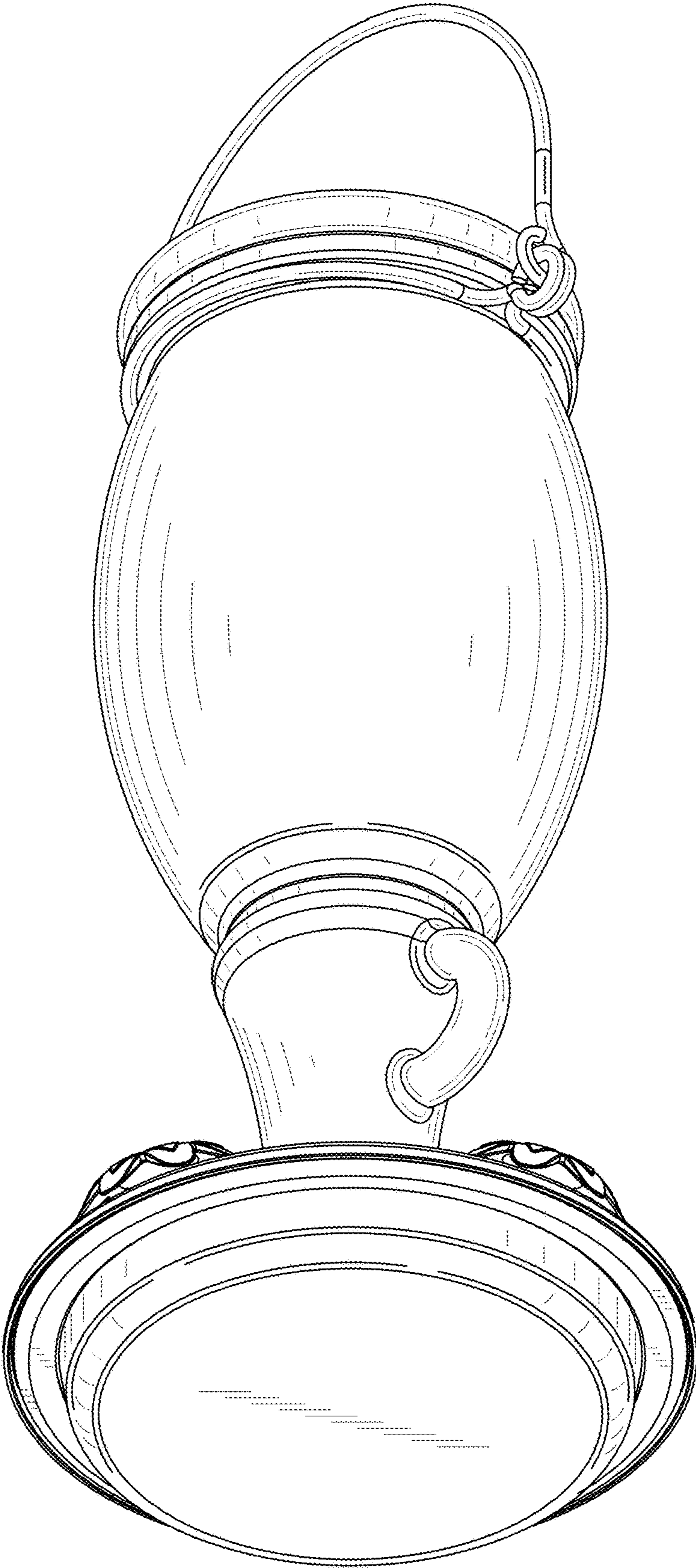


FIG. 4

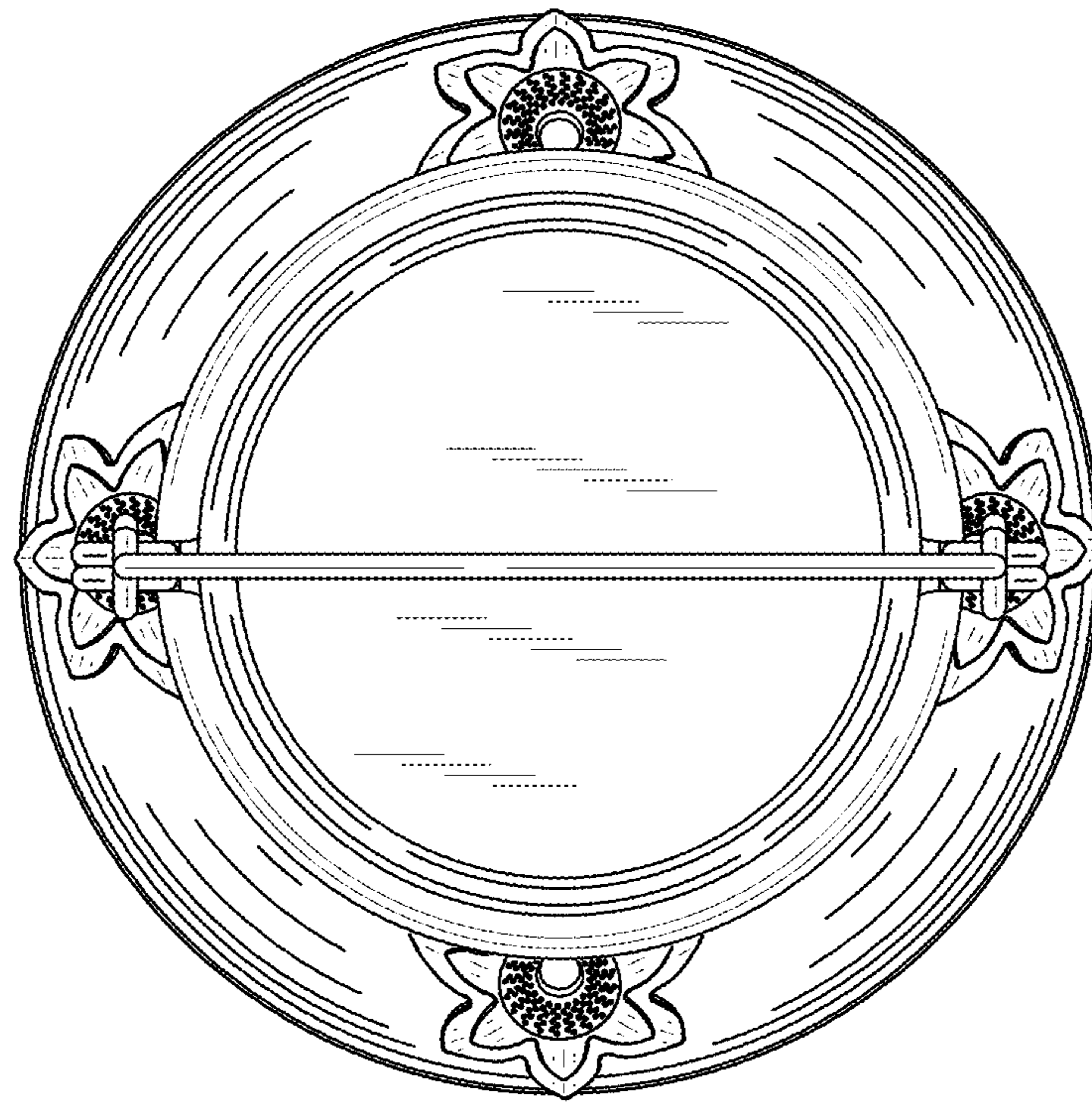


FIG. 5

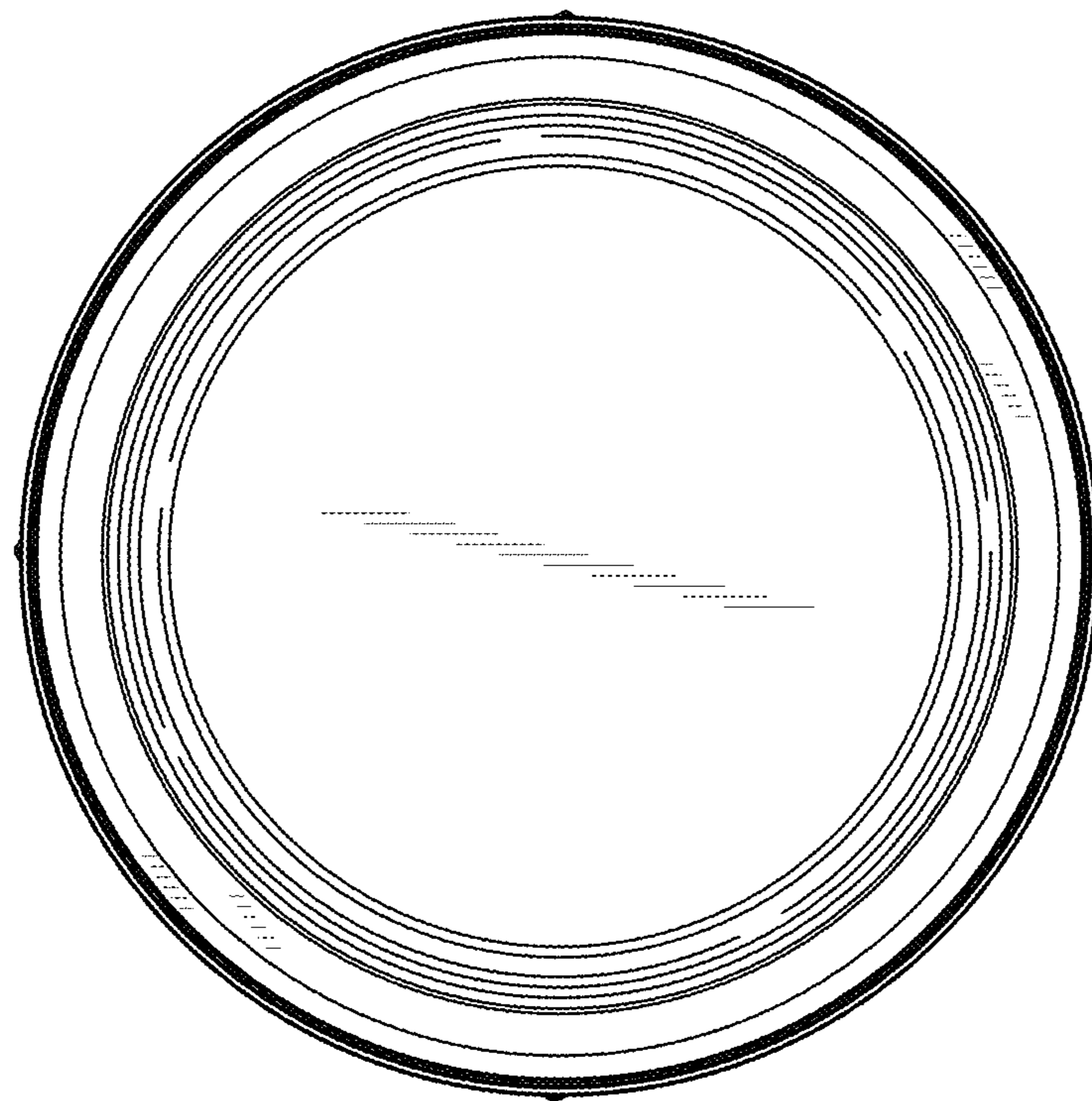


FIG. 6