



US00D872946S

(12) **United States Design Patent** (10) **Patent No.:** **US D872,946 S**  
**Watson et al.** (45) **Date of Patent:** **\*\* Jan. 14, 2020**

- (54) **SMALL ANIMAL HABITAT**
- (71) Applicant: **PetSmart Home Office, Inc.**, Phoenix, AZ (US)
- (72) Inventors: **Jeffrey Stocker Watson**, Phoenix, AZ (US); **Paul Tamulewicz**, Glendale, AZ (US)
- (73) Assignee: **PETSMART HOME OFFICE, INC.**, Phoenix, AZ (US)
- (\*\*) Term: **15 Years**
- (21) Appl. No.: **29/665,197**
- (22) Filed: **Oct. 1, 2018**
- (51) **LOC (12) Cl.** ..... **30-02**
- (52) **U.S. Cl.**  
USPC ..... **D30/112**
- (58) **Field of Classification Search**  
USPC ..... D30/108–119, 160, 161, 199; D21/424, D21/433, 451, 452, 453, 454, 455, 465, D21/483, 506, 507, 508, 510, 548, 549  
CPC ..... A01K 1/0245; A01K 1/00; A01K 1/02; A01K 1/03; A01K 1/031  
See application file for complete search history.

D846,812 S \* 4/2019 Lamerton ..... D30/114  
 D849,334 S \* 5/2019 Lamerton ..... D30/114  
 2015/0237822 A1\* 8/2015 Jason ..... A01K 1/03  
 119/480

**OTHER PUBLICATIONS**

“Bad Cage Review Tiny Tales Amusement Park Cage”(via YouTube), available Jan. 17, 2019, [online], [site visited Aug. 10, 2019]. Retrieved from Internet, URL:<https://www.youtube.com/watch?v=sb65rlphlu4> (Year: 2019).\*

“Amusement Park” available Aug. 10, 2019, [online], [site visited Aug. 10, 2019]. Retrieved from Internet, URL:<https://www.petsmart.com/small-pet/cages-habitats-and-hutches/cages/all-living-things-tiny-talesandtrade-amusement-park-small-pet-habitat-50088.html> (Year: 2019).\*

\* cited by examiner

*Primary Examiner* — Michael C Stout  
*Assistant Examiner* — Katrina N Gonzalez  
 (74) *Attorney, Agent, or Firm* — Fox Rothschild LLP

(57) **CLAIM**

The ornamental design for a small animal habitat, as shown and described.

**DESCRIPTION**

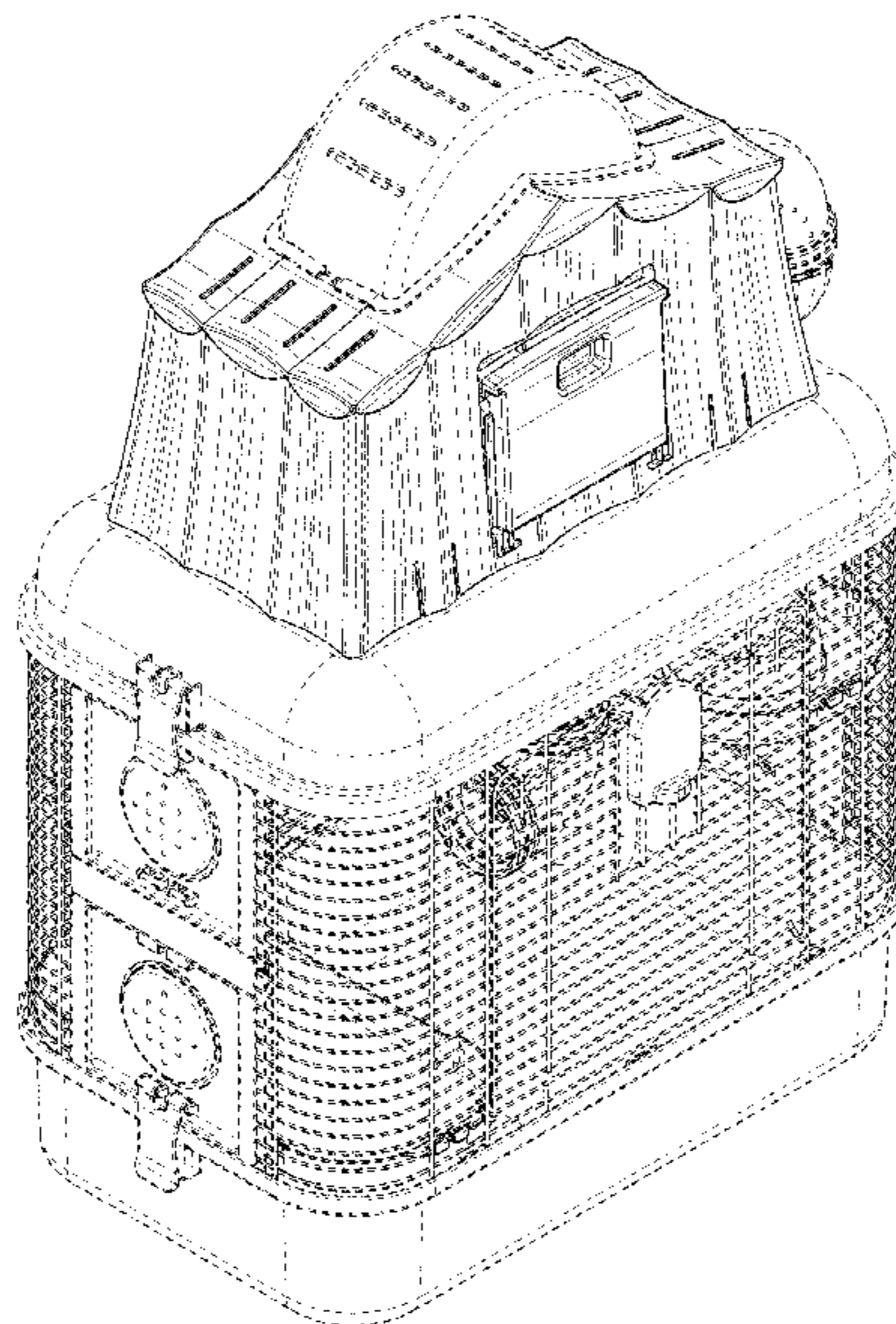
FIG. 1 is a top perspective view of the small animal habitat showing our new design;  
 FIG. 2 is a front elevation view thereof;  
 FIG. 3 is a rear elevation view thereof;  
 FIG. 4 is a left side elevation view thereof;  
 FIG. 5 is a right side elevation view thereof;  
 FIG. 6 is a top plan view thereof; and,  
 FIG. 7 is a bottom plan view.  
 The broken lines shown on the drawings are for the purpose of illustrating environmental structure and forms no part of the claimed design.

**1 Claim, 6 Drawing Sheets**

(56) **References Cited**

**U.S. PATENT DOCUMENTS**

- 6,044,799 A \* 4/2000 Tominaga ..... A01K 1/03  
119/452
- D664,717 S \* 7/2012 Sabie ..... D30/112
- D703,390 S \* 4/2014 Scott ..... D30/108
- D827,941 S \* 9/2018 Lamerton ..... D30/114
- D827,944 S \* 9/2018 Lamerton ..... D30/114
- D827,945 S \* 9/2018 Lamerton ..... D30/114
- D828,643 S \* 9/2018 Lamerton ..... D30/114
- D828,962 S \* 9/2018 Lamerton ..... D30/114
- D846,205 S \* 4/2019 Lamerton ..... D30/114



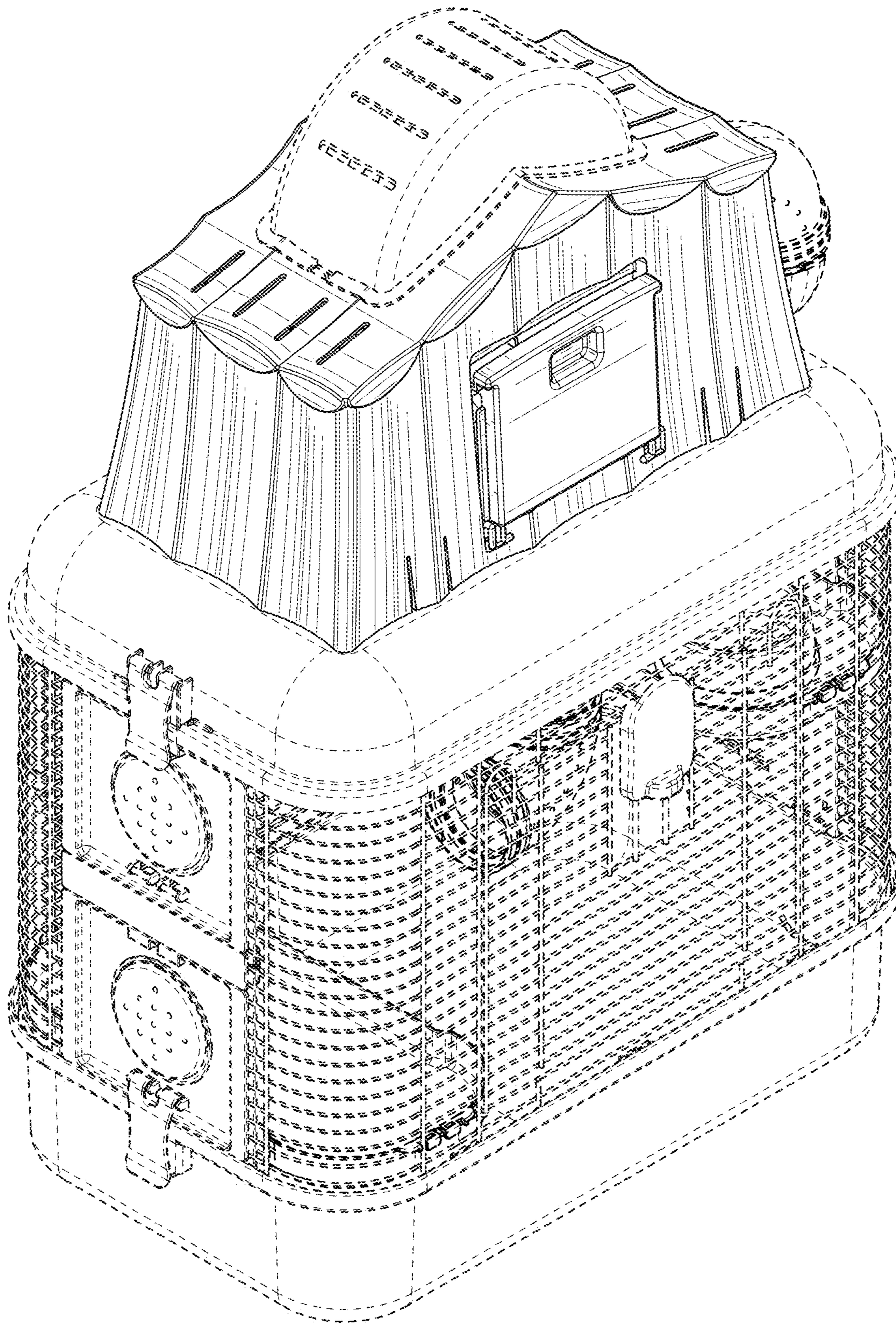


FIG. 1

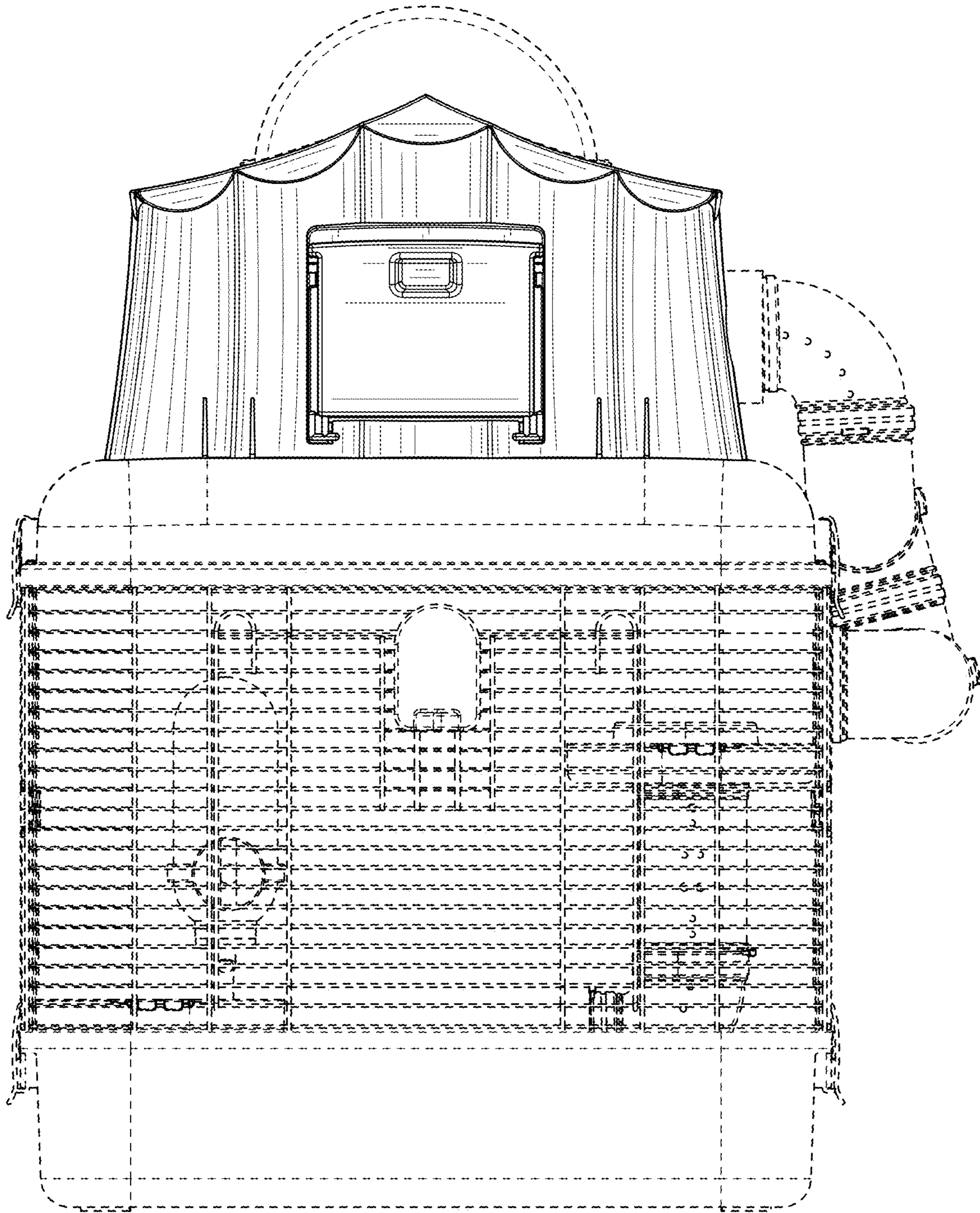


FIG. 2

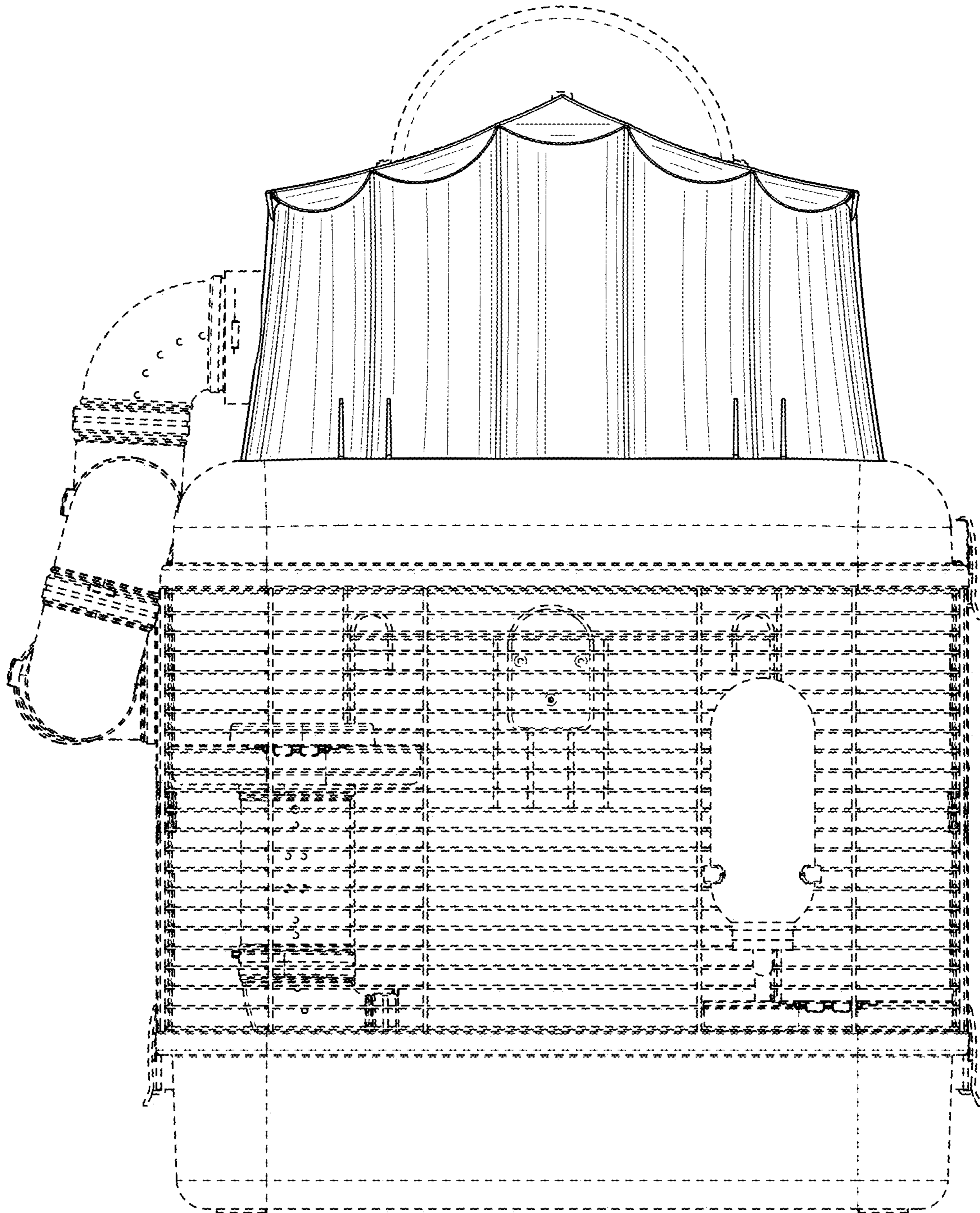


FIG. 3

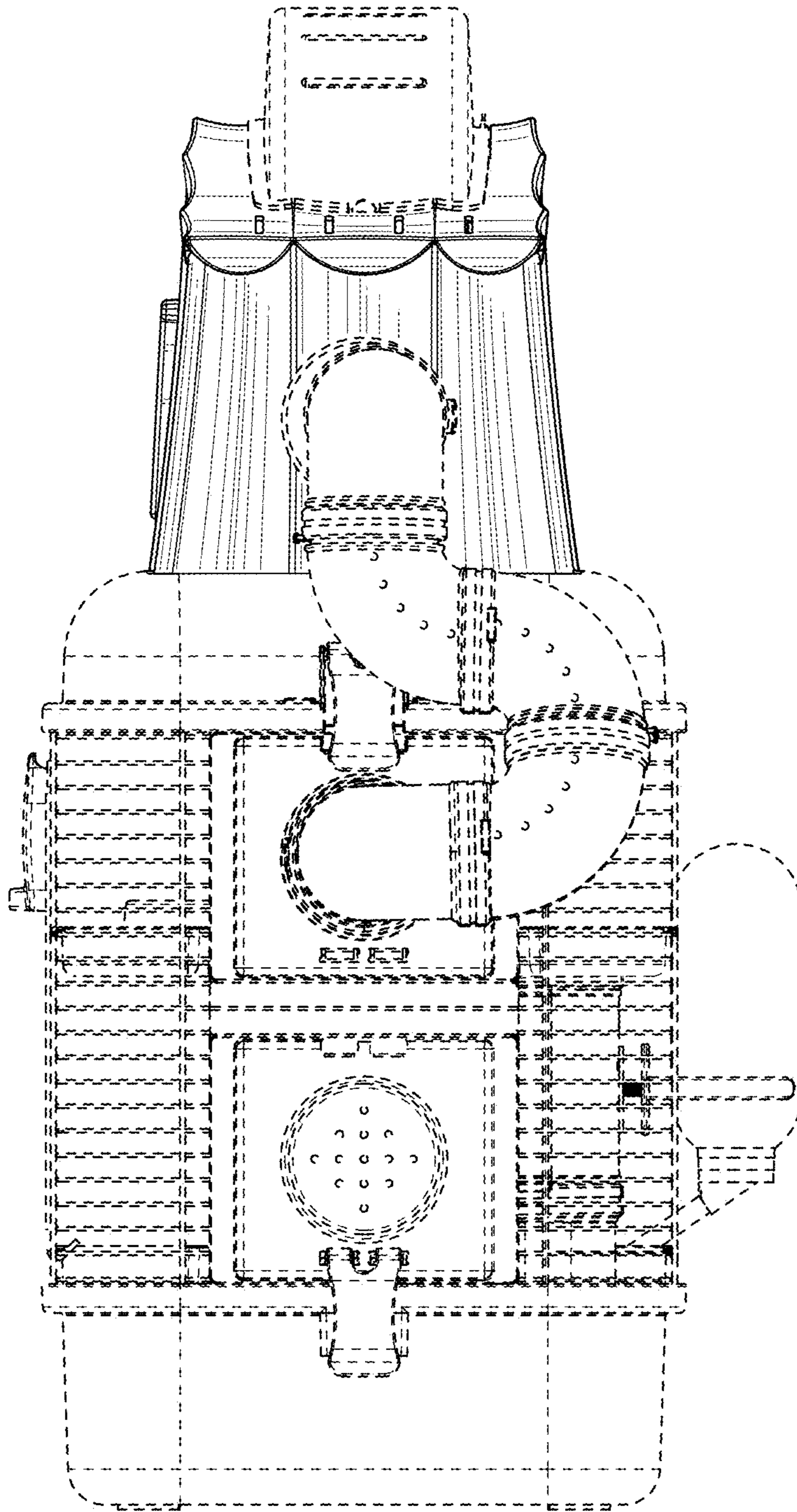


FIG. 4

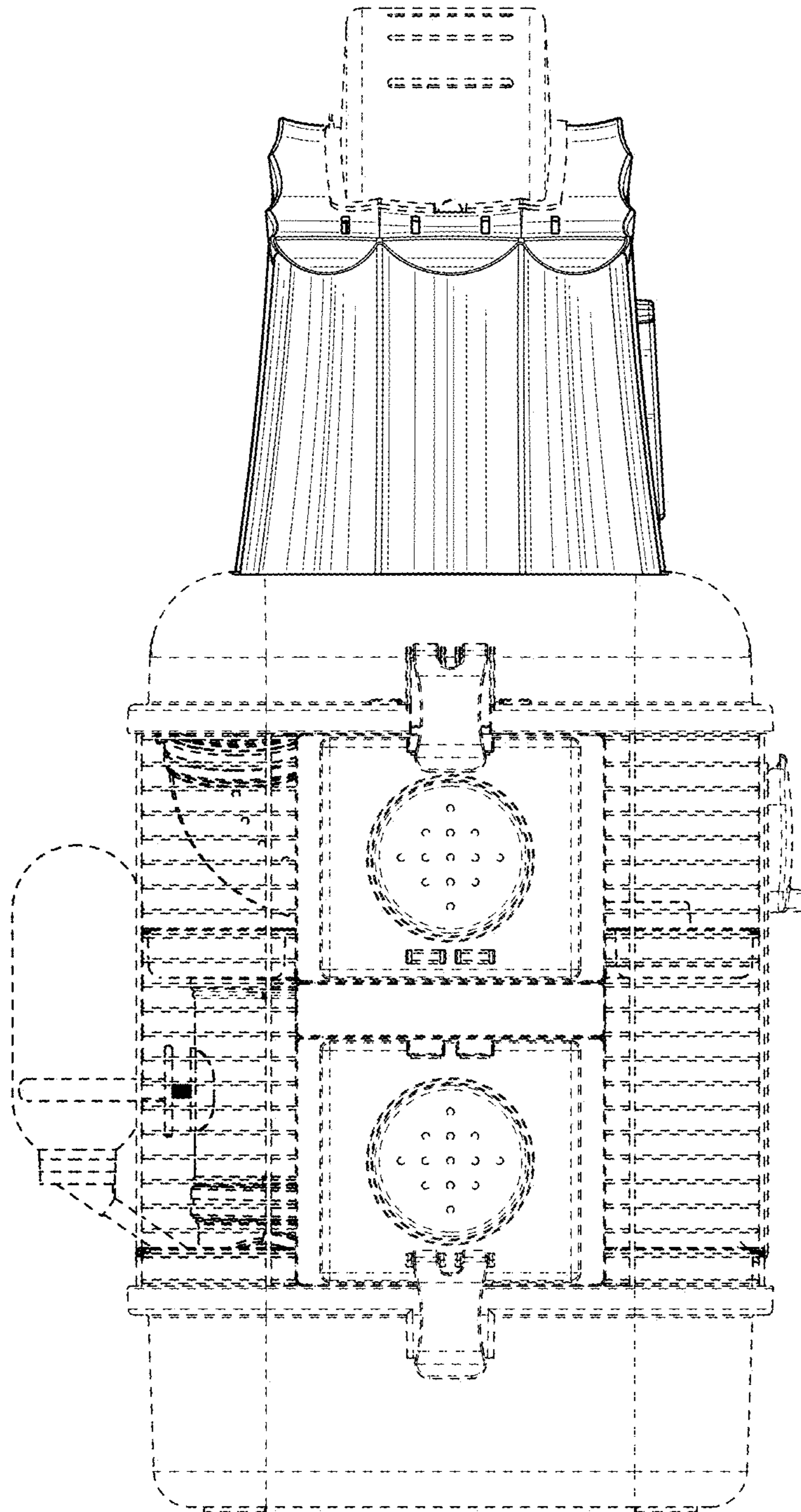


FIG. 5

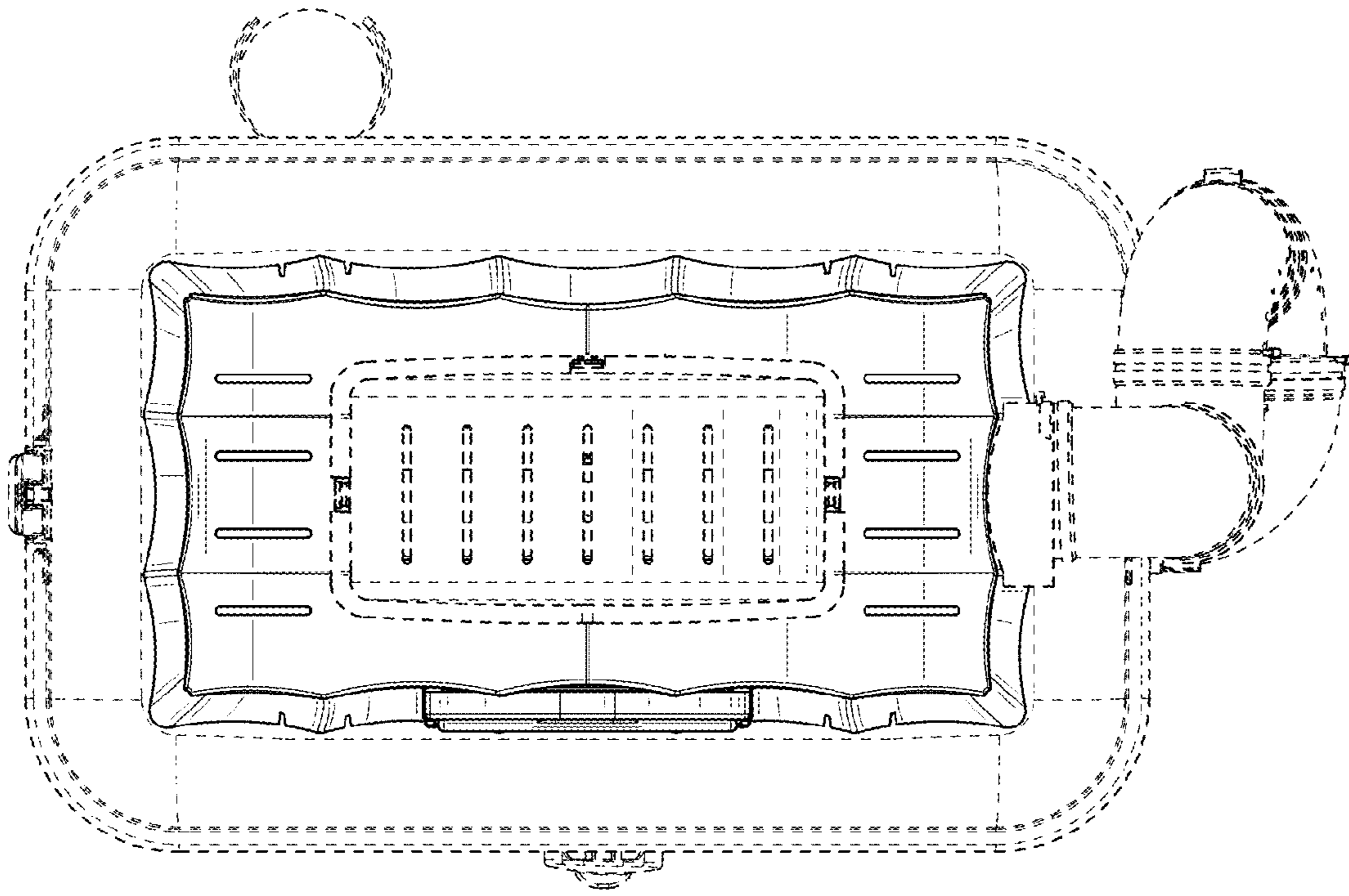


FIG. 6

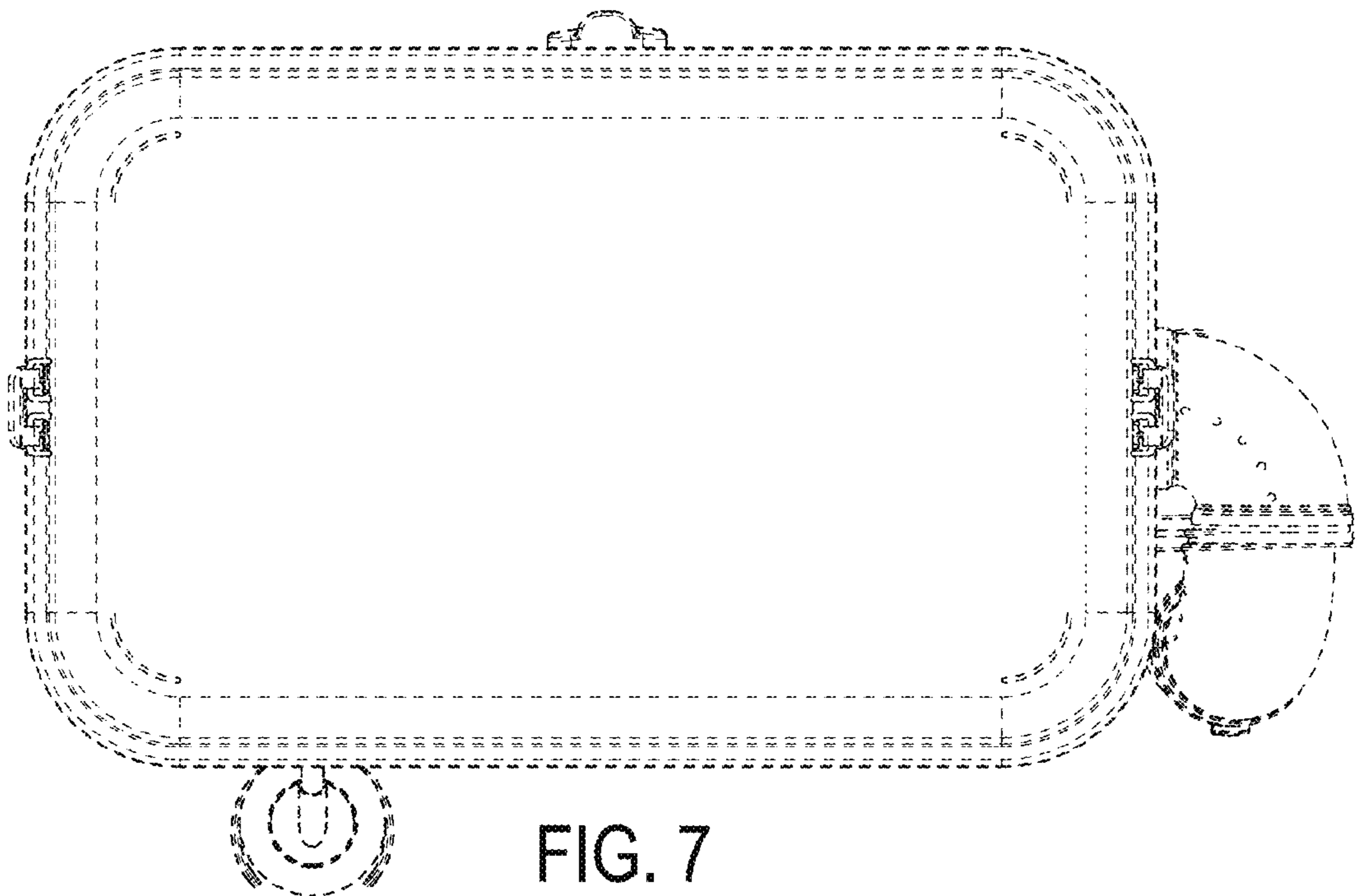


FIG. 7