



US00D872944S

(12) **United States Design Patent** (10) **Patent No.:** **US D872,944 S**
Seymour et al. (45) **Date of Patent:** **** Jan. 14, 2020**

(54) **RELOAD KIT CAP FOR FIRE EXTINGUISHER**

(71) Applicant: **Rusoh, Inc.**, Eau Claire, WI (US)
(72) Inventors: **Justun Seymour**, Eau Claire, WI (US);
Ryan Barrows, Eau Claire, WI (US);
Seth Rooney, Chippewa Falls, WI (US); **Randy Frank Rousseau**,
Riverside, CA (US)
(73) Assignee: **Rusoh, Inc.**, Eau Claire, WI (US)

(**) Term: **15 Years**

(21) Appl. No.: **29/681,538**

(22) Filed: **Feb. 26, 2019**

Related U.S. Application Data

(62) Division of application No. 29/615,505, filed on Aug. 29, 2017, now Pat. No. Des. 846,201, which is a division of application No. 29/566,668, filed on Jun. 1, 2016, now Pat. No. Des. 797,999.

(51) **LOC (12) Cl.** **29-02**

(52) **U.S. Cl.**
USPC **D29/129**

(58) **Field of Classification Search**
USPC D23/355-369, 213, 214, 223, 224, 225,
D23/231; D28/5, 6; 261/DIG. 17,
261/DIG. 42, DIG. 65, DIG. 88, DIG. 89,
261/DIG. 47, DIG. 55, DIG. 70; 392/356,
392/390, 392, 394, 395; 239/34, 44, 53,
239/55, 56, 326, 60, 308, 589; D9/687,
D9/600, 695; D7/591; D29/125, 126,
D29/129, 130; 169/7, 89; 222/210, 324
CPC .. A62C 2/00; A62C 8/00; A62C 13/76; A62C
13/64

See application file for complete search history.

(56) **References Cited**

U.S. PATENT DOCUMENTS

D171,066	S	12/1953	Sciver
3,650,329	A	3/1972	Sachs
3,858,659	A	1/1975	Fukushima
7,318,484	B2	1/2008	Rousseau et al.
7,650,948	B2	1/2010	Rousseau et al.
D682,034	S	5/2013	El-Saden et al.
D693,170	S	11/2013	Rosbach
8,757,582	B2	6/2014	Robinson
8,820,423	B2	9/2014	Rousseau et al.
D732,647	S	6/2015	McPhilliamy et al.
D738,741	S	9/2015	Shafer

(Continued)

OTHER PUBLICATIONS

“U.S. Appl. No. 29/566,668, Notice of Allowance dated May 23, 2017”, 8 pgs.

(Continued)

Primary Examiner — Randall H Gholson

(74) *Attorney, Agent, or Firm* — Schwegman Lundberg & Woessner, P.A.

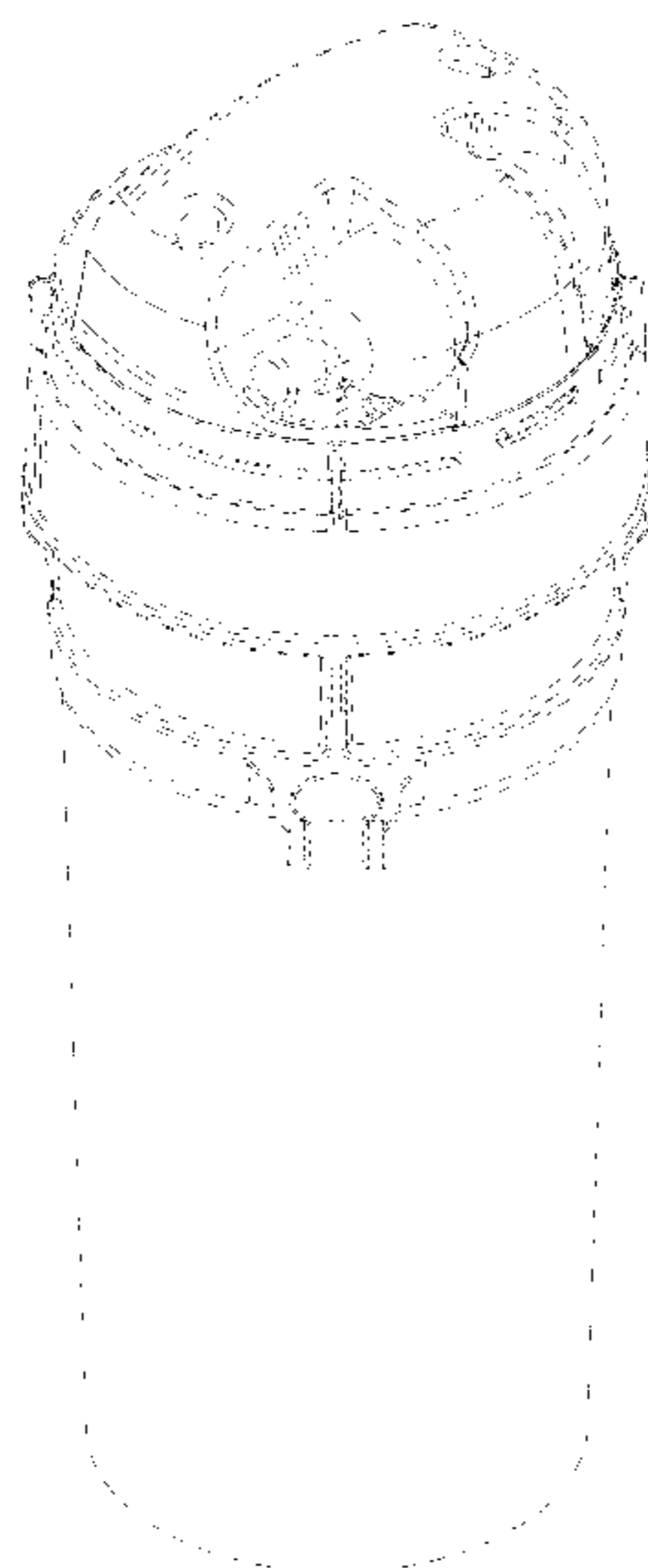
(57) **CLAIM**

The ornamental design for a reload kit cap for fire extinguisher, as shown and described.

DESCRIPTION

FIG. 1 is a top perspective view.
FIG. 2 is a side plan view.
FIG. 3 is a front plan view.
FIG. 4 is an other side plan view.
FIG. 5 is a rear plan view.
FIG. 6 a bottom plan view; and,
FIG. 7 is an another top perspective view.
Broken lines in the drawings are included for the purpose of illustrating an environment and form no part of the claimed design. The claimed invention can be used in other environments.

1 Claim, 7 Drawing Sheets



(56)

References Cited

U.S. PATENT DOCUMENTS

9,144,699	B1	9/2015	Wang	
D751,670	S	3/2016	Loiti Urquia et al.	
D777,991	S	1/2017	Rousseau et al.	
D779,323	S *	2/2017	Masrou	D9/443
D797,999	S	9/2017	Seymour et al.	
D803,632	S *	11/2017	Seiders	D29/129
D811,162	S *	2/2018	Rane	D7/396.2
9,914,001	B1	3/2018	Wang	
D824,218	S *	7/2018	Seiders	D7/608
D846,201	S	4/2019	Seymour et al.	

OTHER PUBLICATIONS

“U.S. Appl. No. 29/566,668, Preliminary Amendment filed Jul. 13, 2016”, 4 pgs.
“U.S. Appl. No. 29/566,668, Response filed Apr. 21, 2017 to Restriction Requirement dated Feb. 21, 2017”, 4 pgs.

“U.S. Appl. No. 29/566,668, Restriction Requirement dated Feb. 21, 2017”, 5 pgs.
“U.S. Appl. No. 29/615,505, Notice of Allowance dated Nov. 13, 2018”, 5 pgs.
“U.S. Appl. No. 29/615,505, Preliminary Amendment filed Aug. 29, 2017”, 7 pgs.
U.S. Appl. No. 29/566,668, filed Jun. 1, 2016, Reload Kit for Fire Extinguisher, U.S. Pat. No. Des. 797,999.
U.S. Appl. No. 29/615,505, filed Aug. 29, 2017, Reload Kit for Fire Extinguisher.
U.S. Appl. No. 15/878,171, filed Jan. 23, 2018, Reload Kit for Fire Extinguisher.
“U.S. Appl. No. 29/651,249, Non Final Office Action dated Apr. 15, 2019”, 6 pgs.
“U.S. Appl. No. 29/651,249, Response filed Jul. 15, 2019 to Non-Final Office Action dated Apr. 15, 2019”, 4 pgs.
“U.S. Appl. No. 29/651,249, Notice of Allowance dated Aug. 21, 2019”, 6 pgs.

* cited by examiner

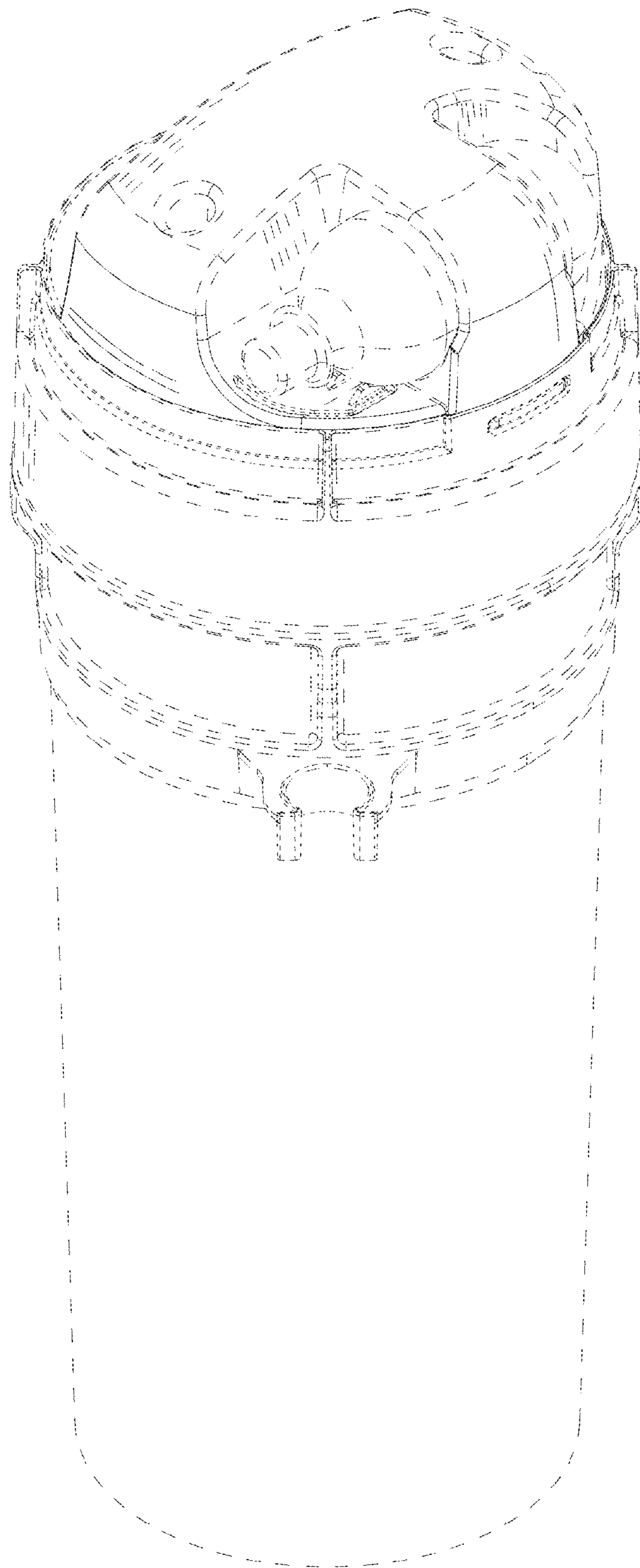


FIG. 1

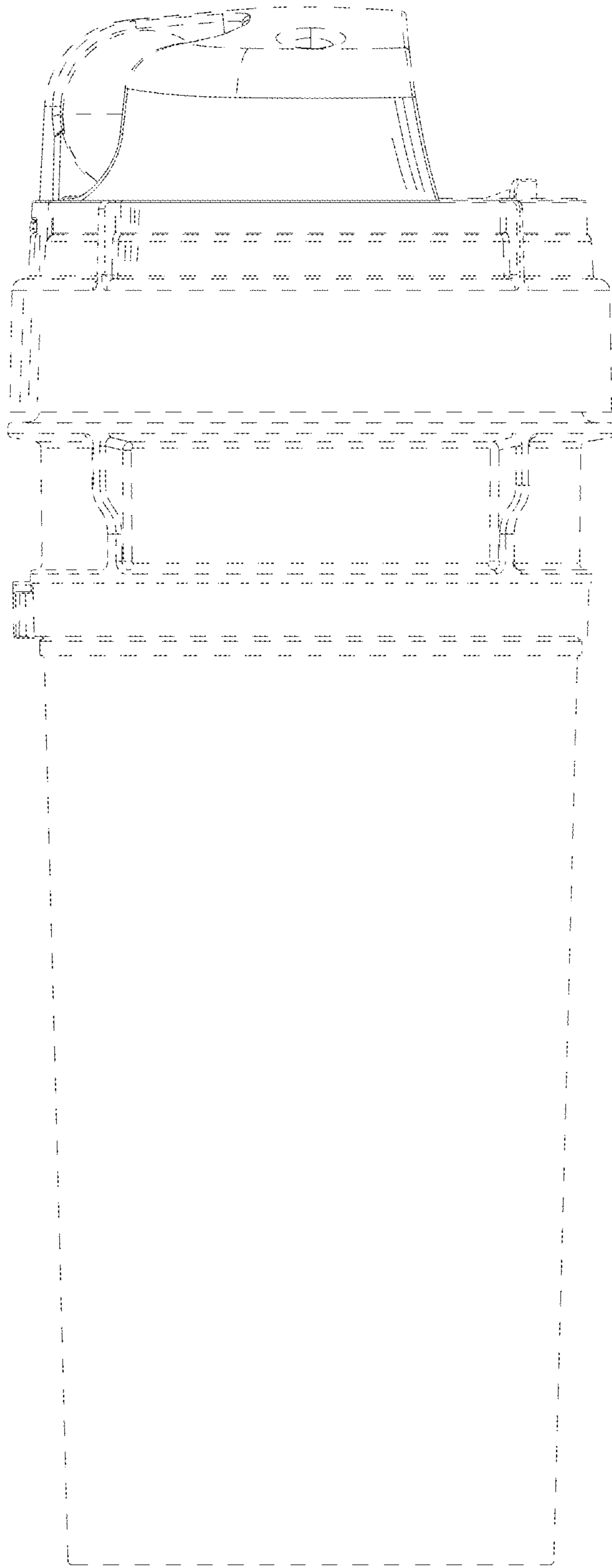


FIG. 2

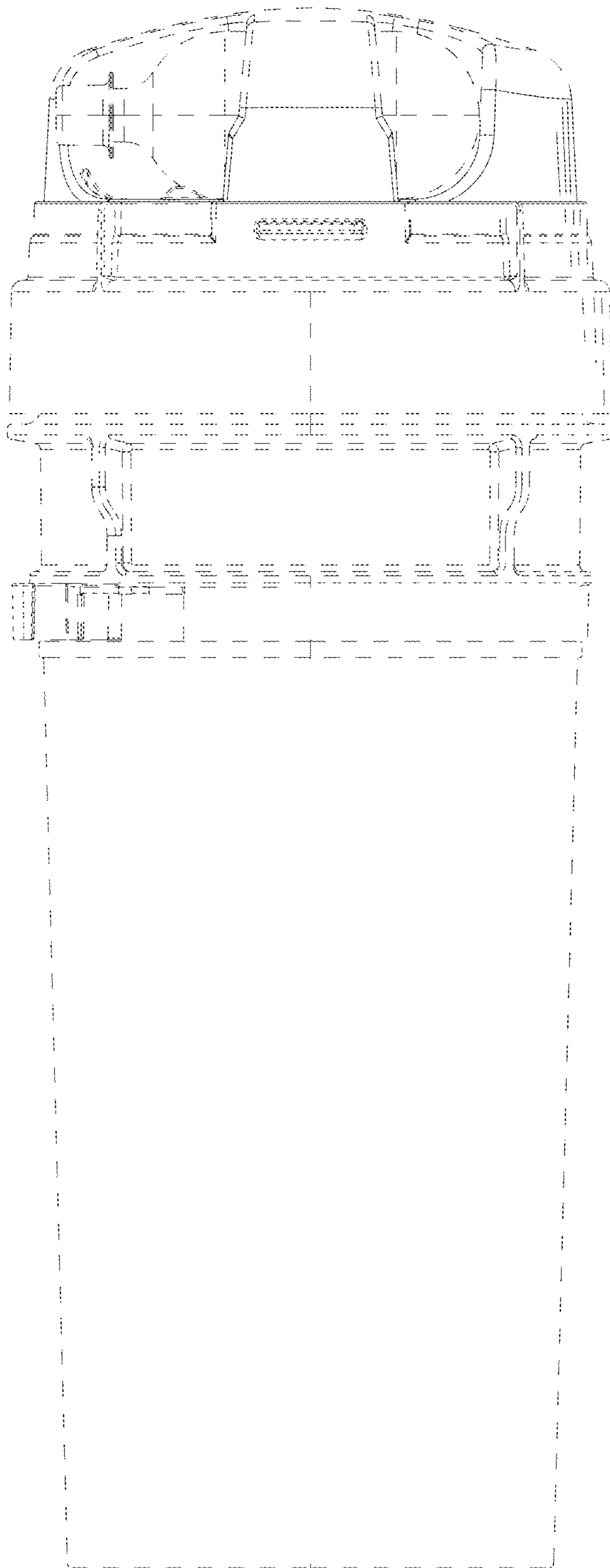


FIG. 3

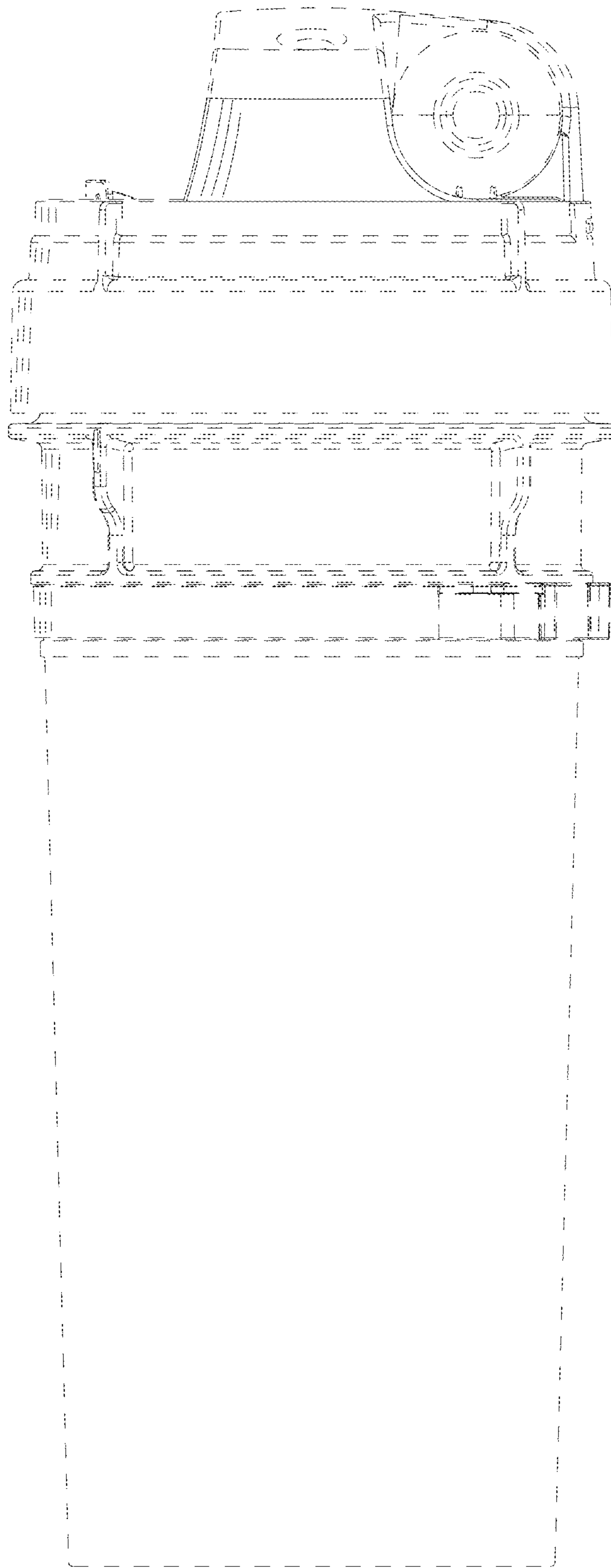


FIG. 4

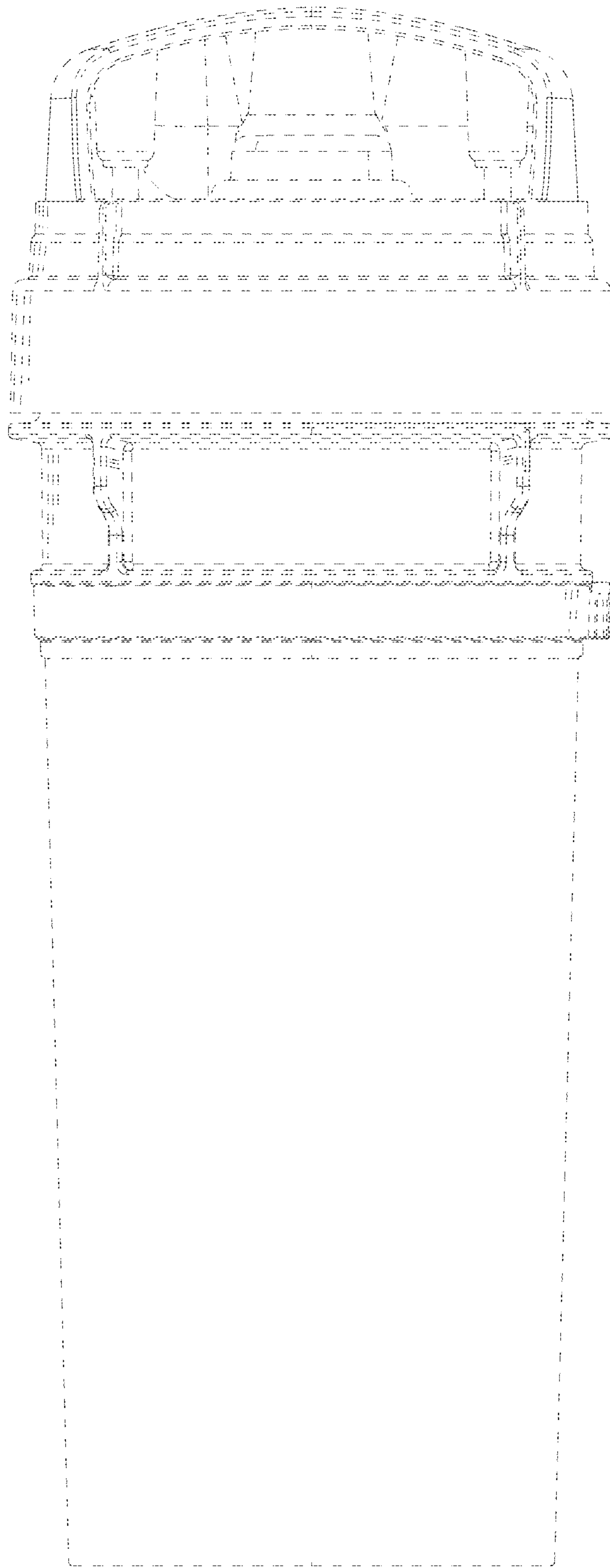


FIG. 5

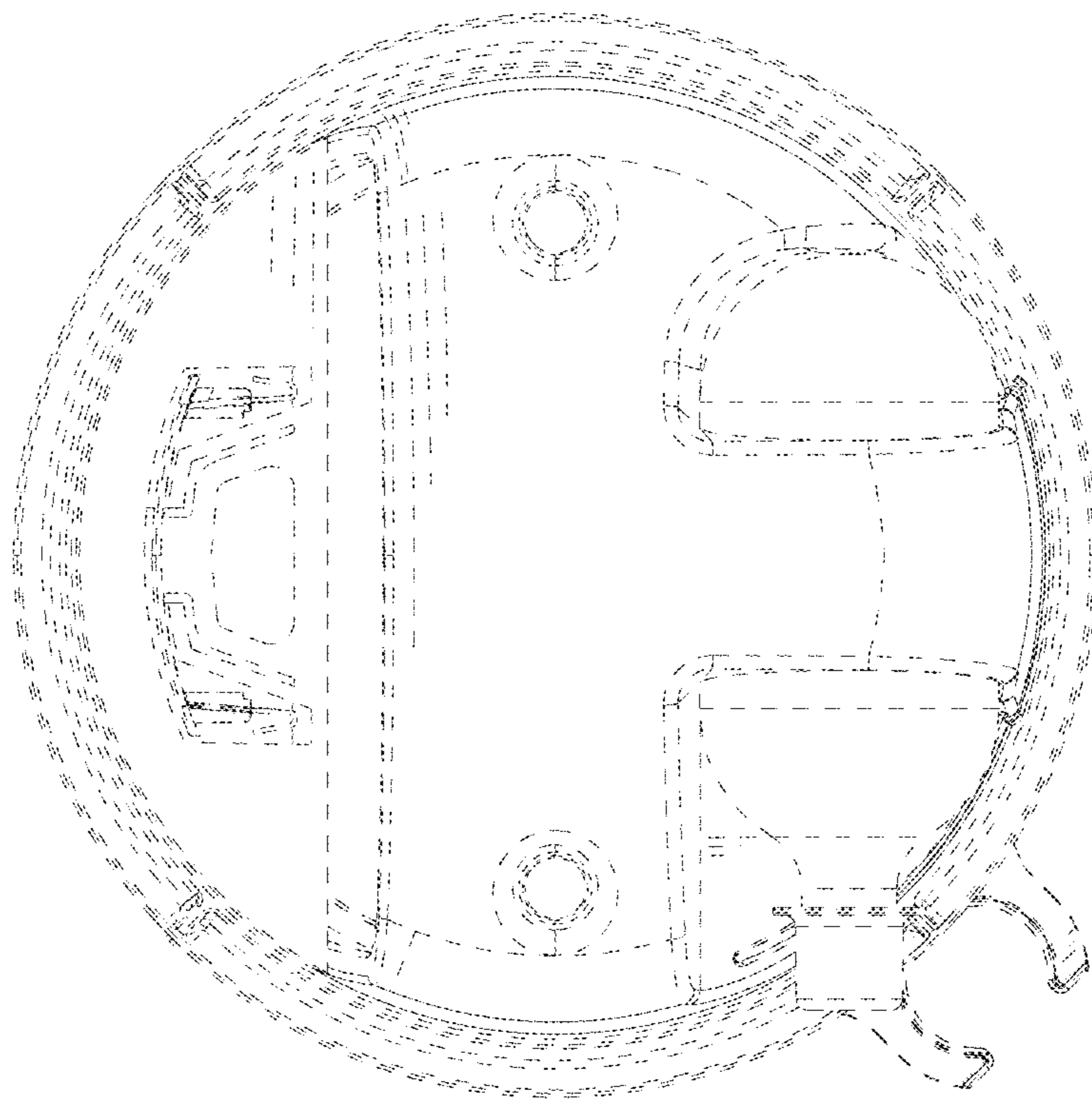


FIG. 6

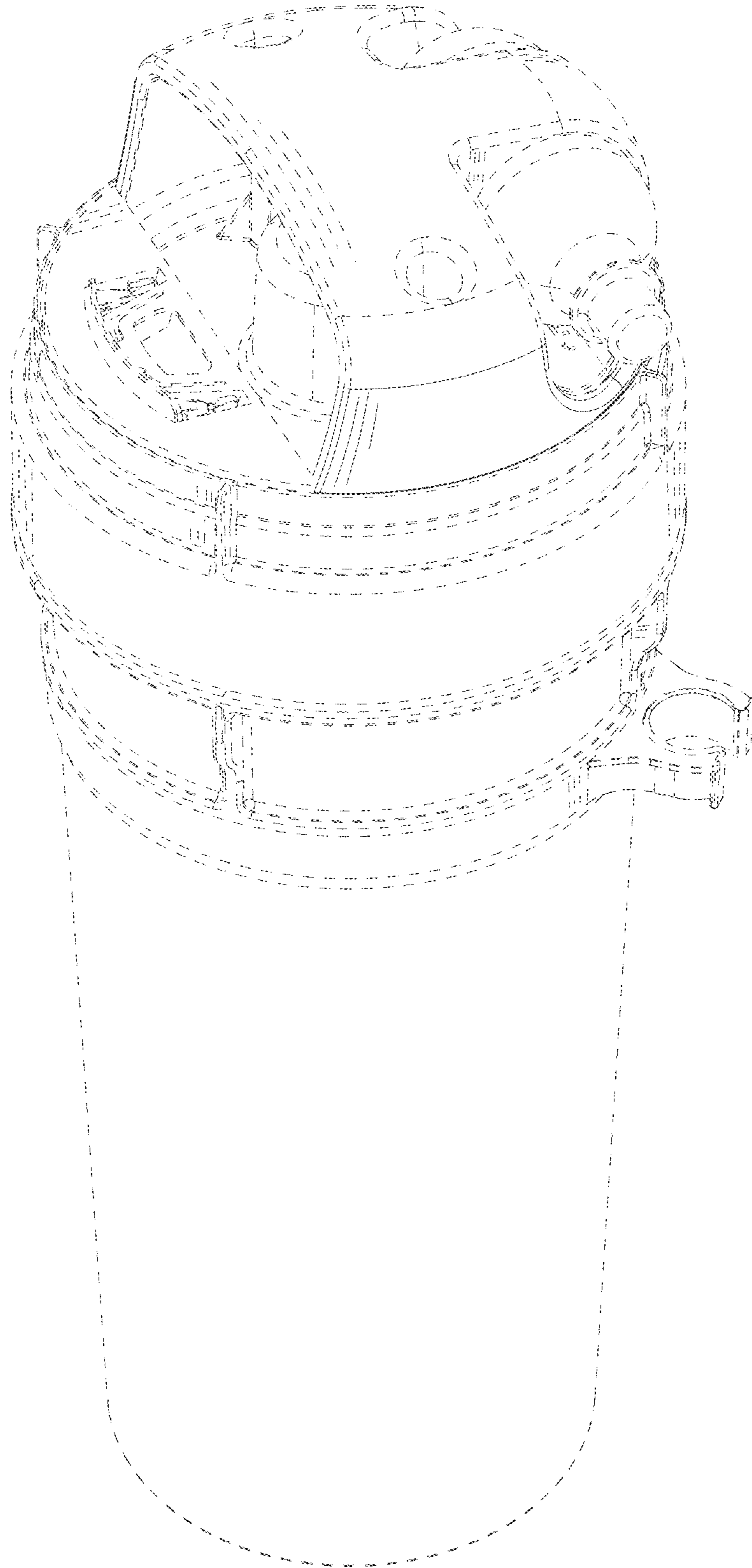


FIG. 7