



US00D872935S

(12) **United States Design Patent** (10) **Patent No.:** **US D872,935 S**
Kang (45) **Date of Patent:** **** Jan. 14, 2020**

(54) **AIR NOZZLE FOR HAIR DRYER**

(71) Applicant: **JMW CO., LTD.**, Seoul (KR)
(72) Inventor: **Jong Kwon Kang**, Hwaseong-si (KR)
(73) Assignee: **JMW CO., LTD.**, Seoul (KR)
(**) Term: **15 Years**

(21) Appl. No.: **35/504,782**

(22) Filed: **Oct. 18, 2017**

(80) **Hague Agreement Data**

Int. Filing Date: **Oct. 18, 2017**
Int. Reg. No.: **DM/099042**
Int. Reg. Date: **Oct. 18, 2017**
Int. Reg. Pub. Date: **Apr. 20, 2018**

(51) **LOC (12) Cl.** **28-03**

(52) **U.S. Cl.**
USPC **D28/18**

(58) **Field of Classification Search**
USPC D28/9, 10, 12-19, 35; 34/96-99;
D23/213, 223, 227
See application file for complete search history.

(56) **References Cited**

U.S. PATENT DOCUMENTS

D148,681	S *	2/1948	Dreyfuss	D32/33
D239,471	S *	4/1976	Gonzales	D28/18
D243,558	S *	3/1977	Long	D28/18
D552,718	S *	10/2007	Mayer	D23/259
D655,038	S *	2/2012	Petruccelli	D28/13
D672,496	S *	12/2012	Julemont	D28/13
D676,600	S *	2/2013	Thrasher, Jr.	D28/18
D697,667	S *	1/2014	Yoe	D28/13
D711,530	S *	8/2014	Gleason, Jr.	D24/112
8,813,384	B2 *	8/2014	Correll, Jr.	A45D 20/12 34/96
D721,456	S *	1/2015	Sayers	D28/18
D749,783	S *	2/2016	Norwid	D28/18
2005/0229423	A1 *	10/2005	Keong	A45D 20/12 34/96

OTHER PUBLICATIONS

Amazon, Parlux 3800 Nozzle, posted Aug. 19, 2013, [online], [visited Dec. 13, 2018]. Available from Internet, <URL: https://www.amazon.co.uk/Parlux-nozzle3800-3800-Nozzle-7-5cm/dp/B0069LCVT2/ref=sr_1_29_a_it?srs=1700603031&ie=UTF8&qid=1544733402&sr=8-29&th=1> (Year: 2013).*
Amazon, Hair Dryer Nozzle, posted Jul. 18, 2017, [online], [visited Dec. 13, 2018]. Available from Internet, <URL: https://www.amazon.co.uk/SROVFIDY-Plastic-Nozzle-Replacement-Concentrator/dp/B074169HTR/ref=olp_product_details?_encoding=UTF8&me=> (Year: 2017).*

* cited by examiner

Primary Examiner — Sheryl Lane
Assistant Examiner — Samantha N Wood
(74) *Attorney, Agent, or Firm* — Rabin & Berdo, P.C.

(57) **CLAIM**

The ornamental design for a air nozzle for hair dryer, as shown and described.

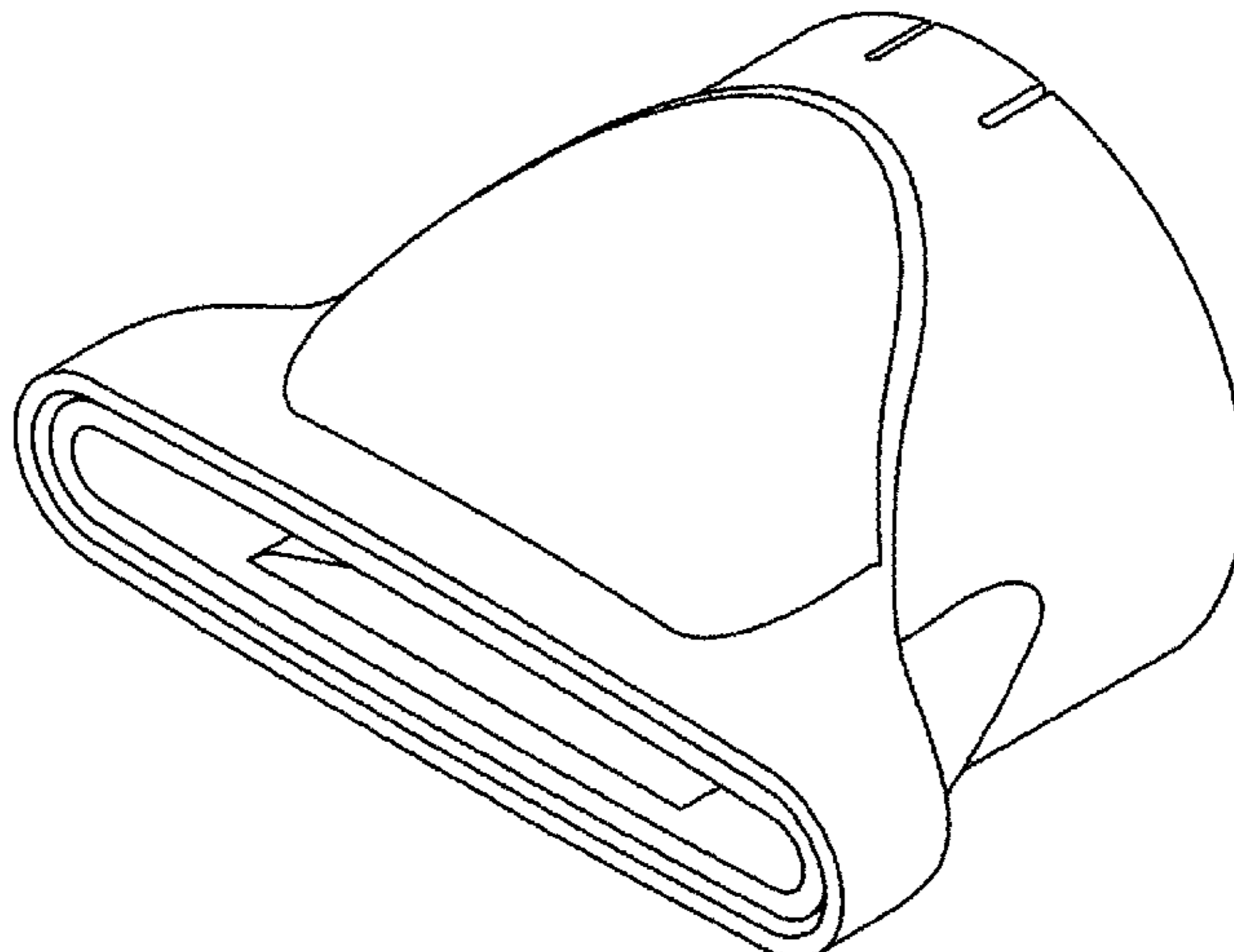
DESCRIPTION

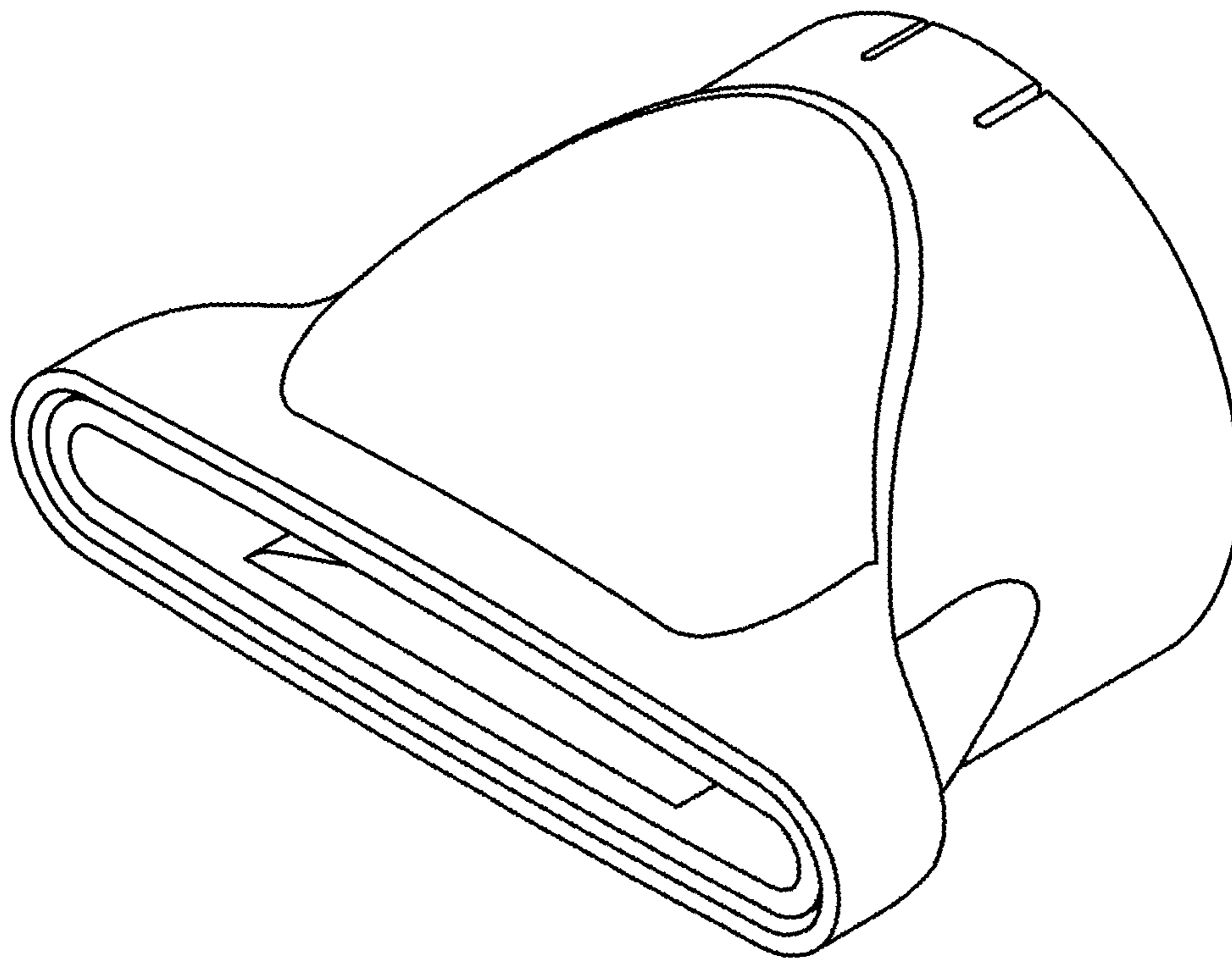
- 1.1: Perspective
- 1.2: Front
- 1.3: Enlarged view of portion circled in 1.2
- 1.4: Back
- 1.5: Left
- 1.6: Right
- 1.7: Top
- 1.8: Bottom
- 1.9: Exploded

The broken lines showing portions of the air nozzle are for the purpose of illustrating portions of the article and form no part of the claimed design.

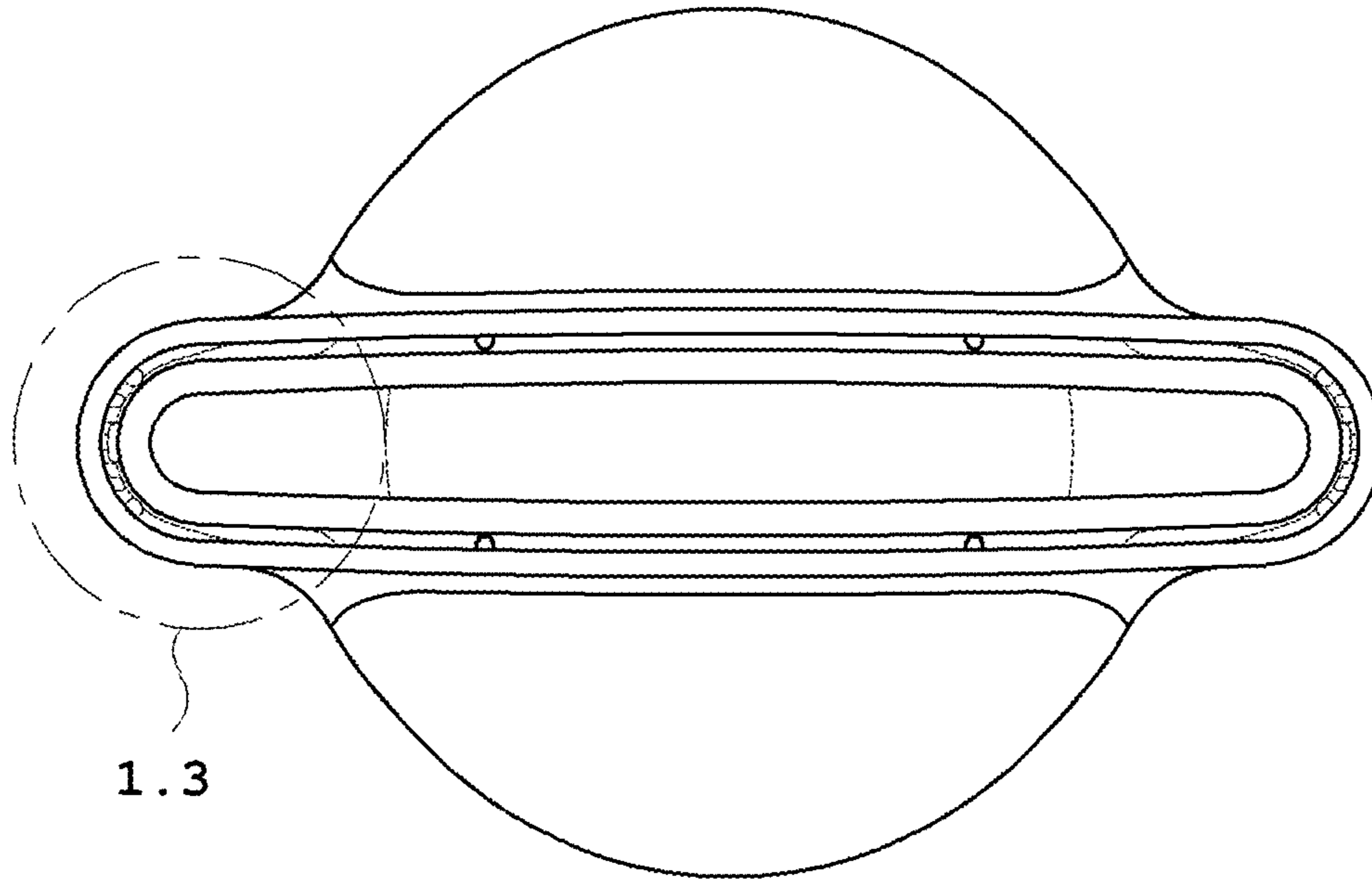
This design is the nozzle that is attached to outlet of hair dryer.

1 Claim, 8 Drawing Sheets



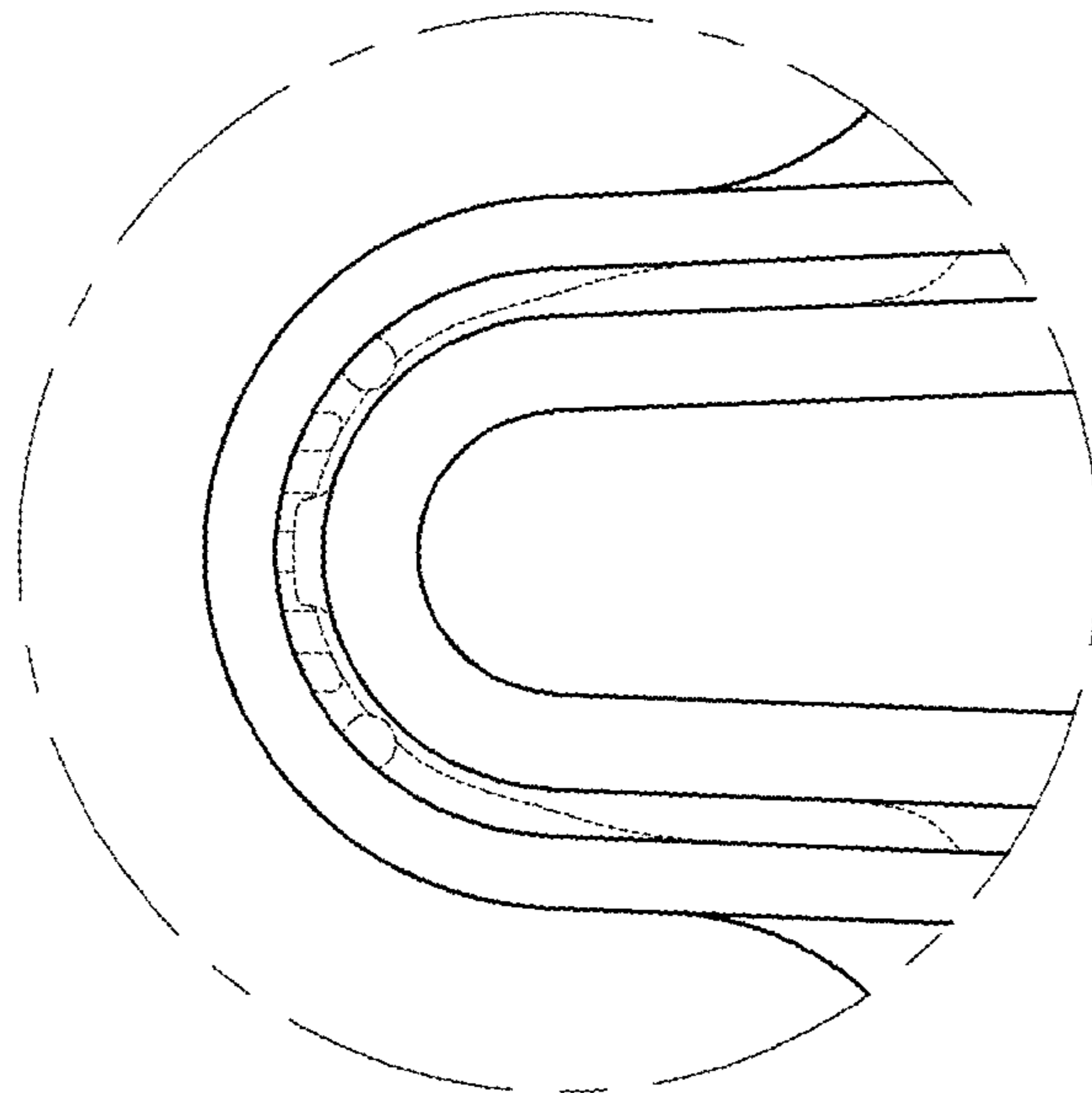


1.1

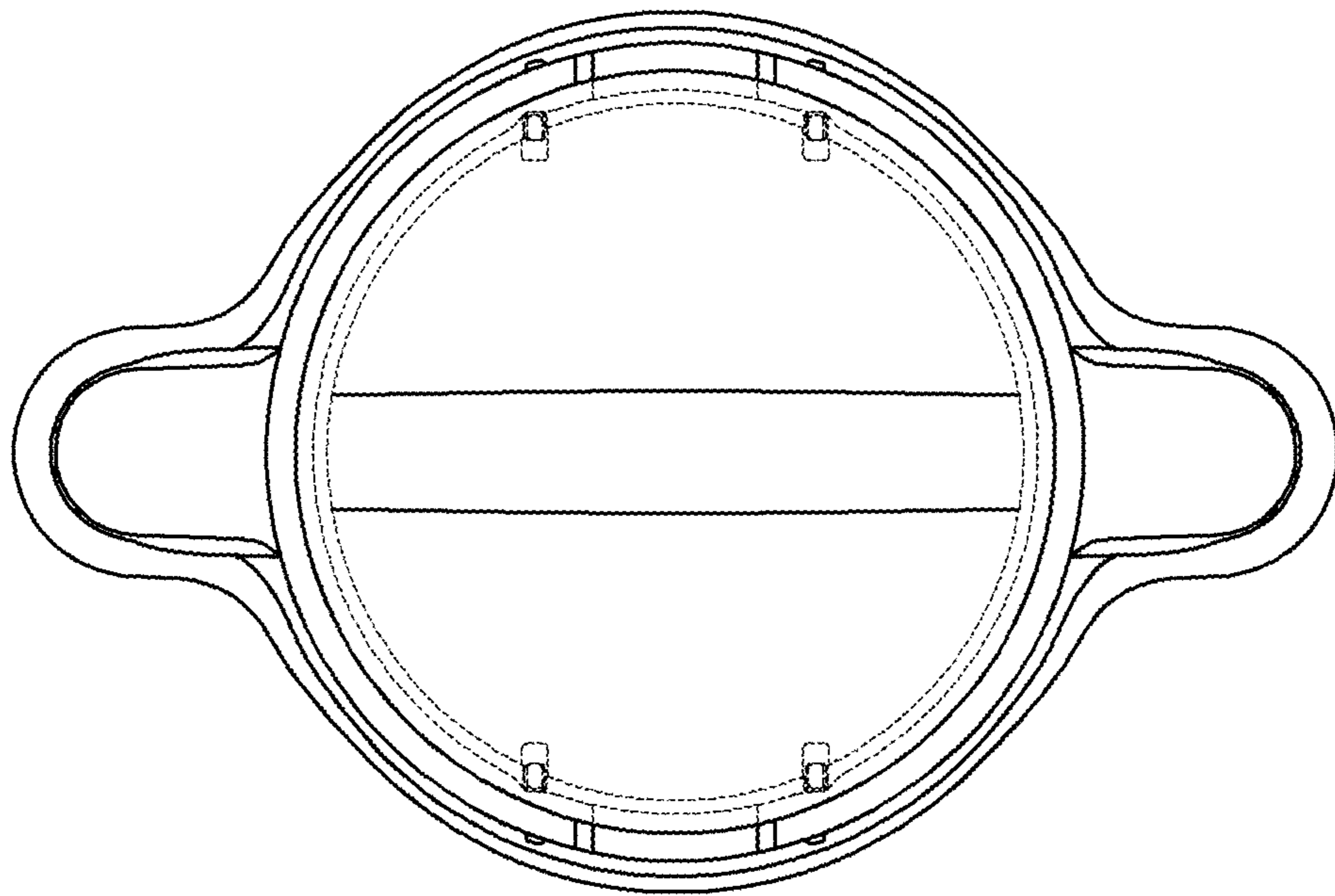


1.3

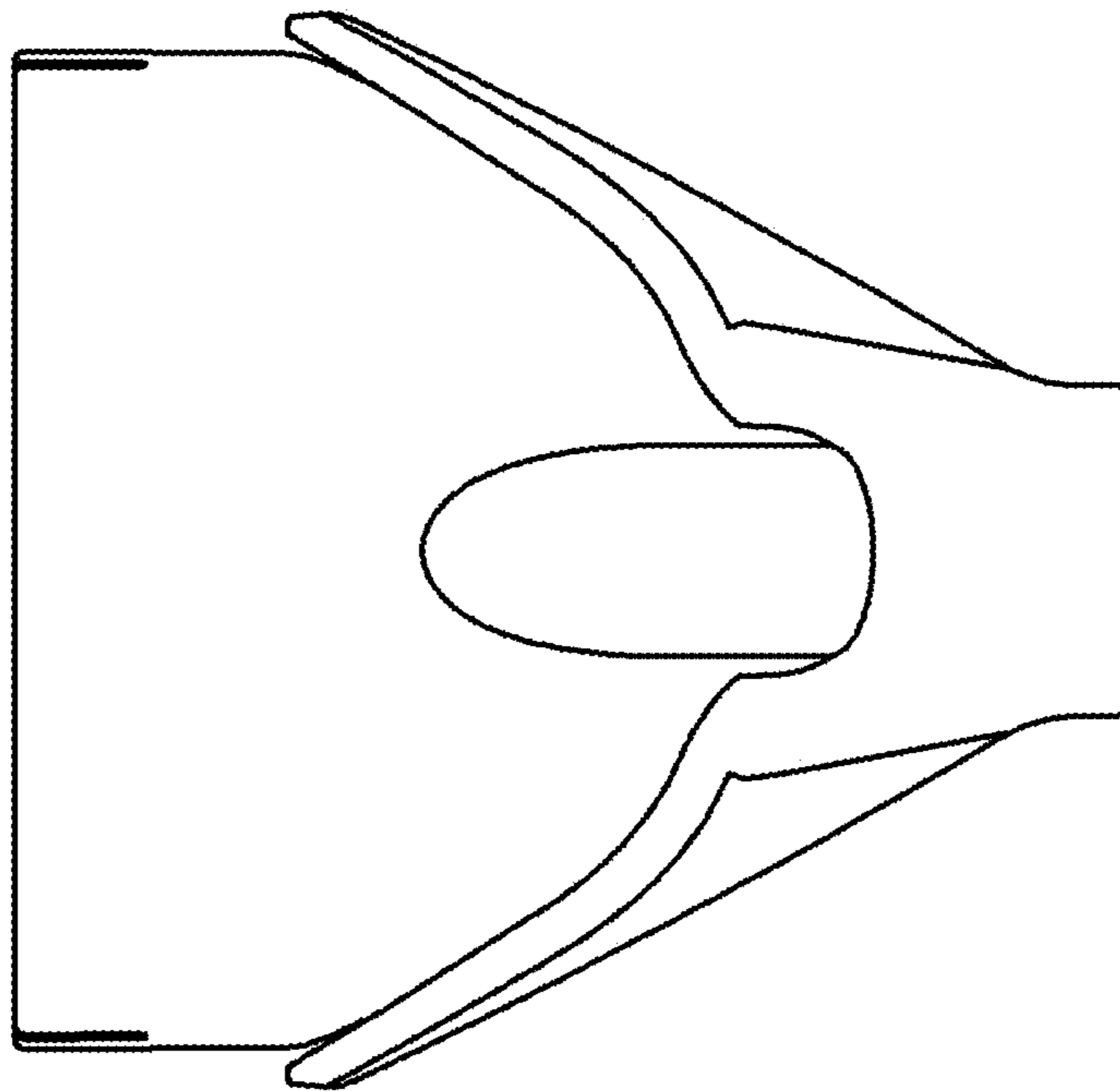
1.2



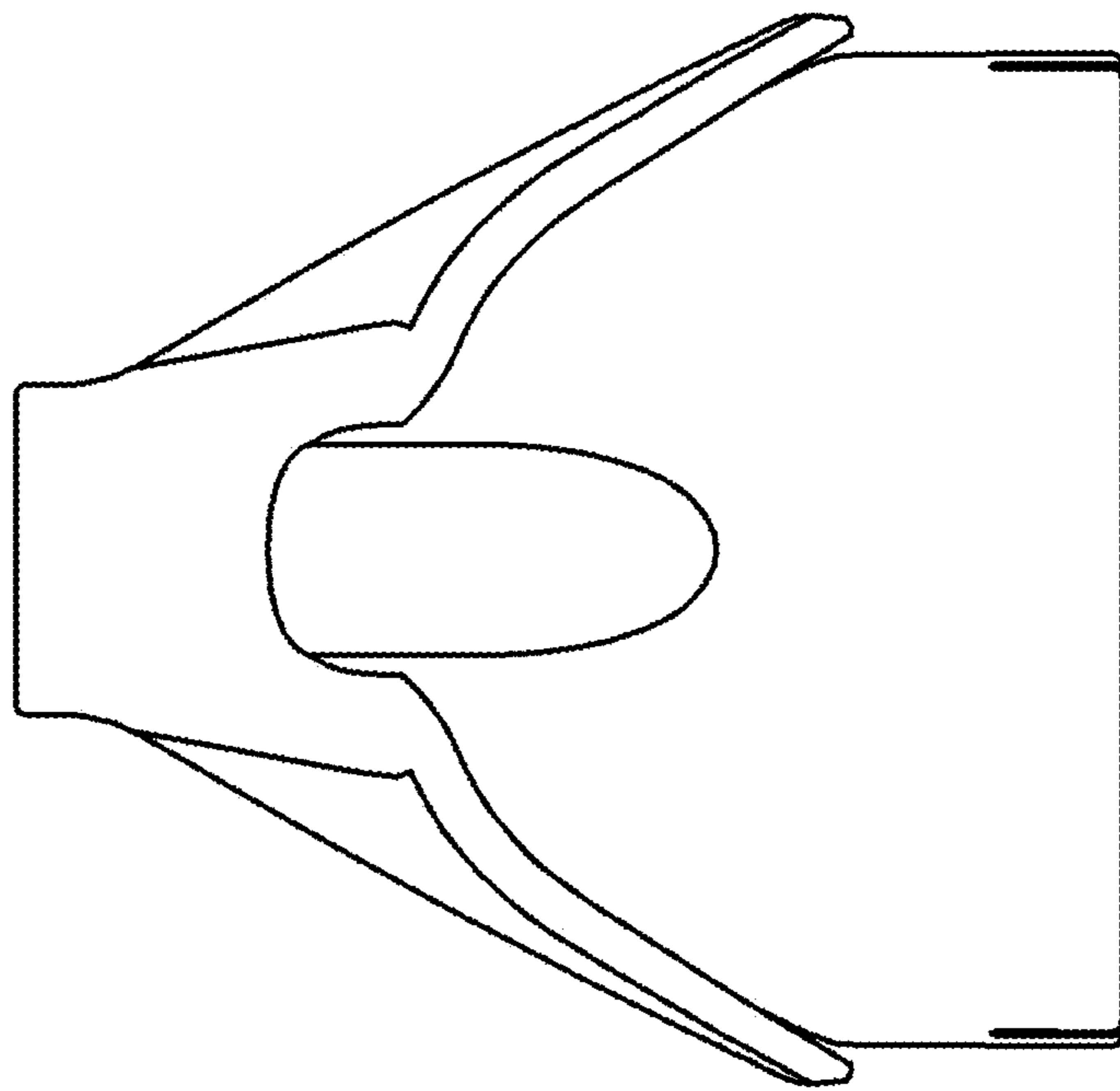
1.3



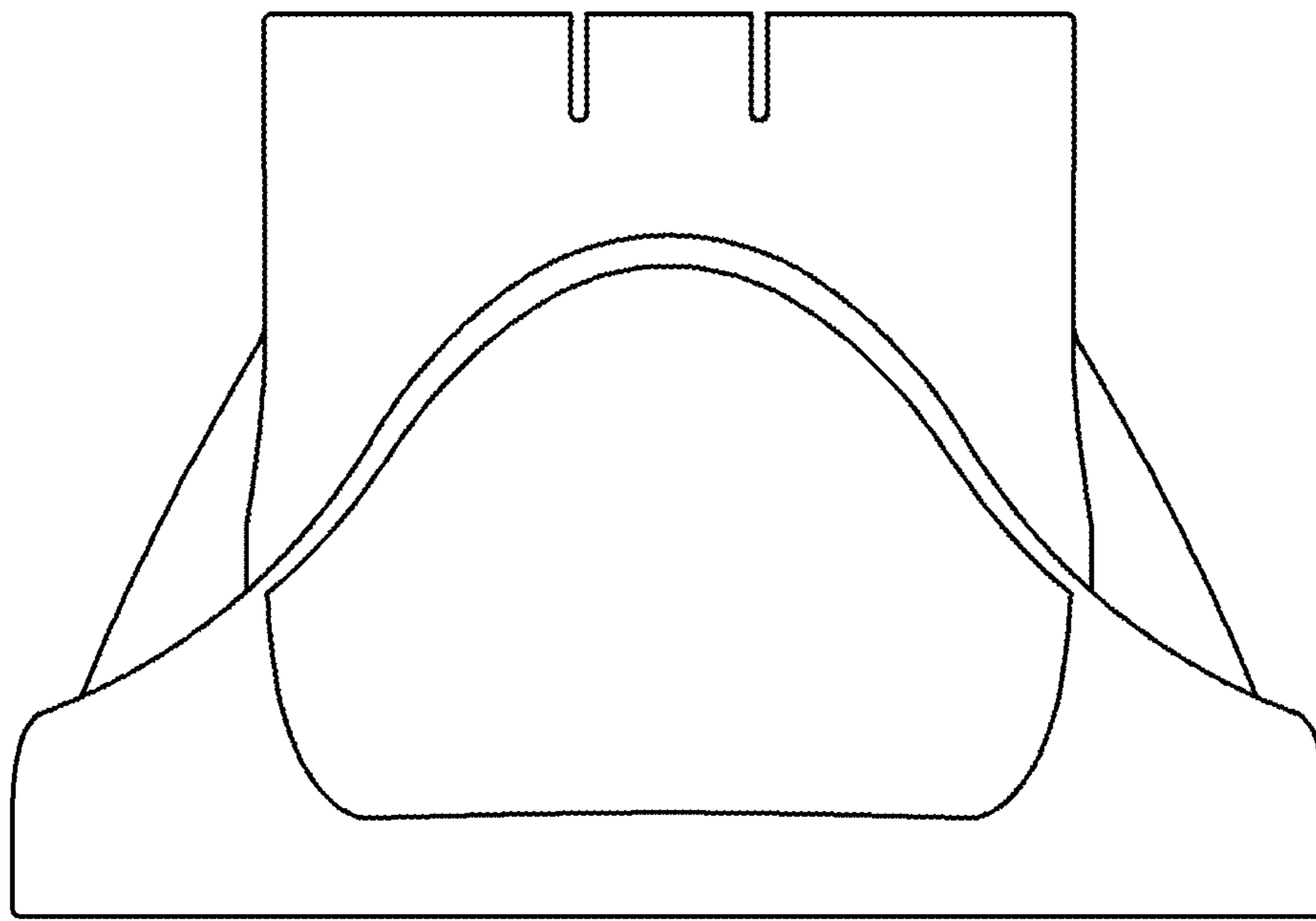
1.4



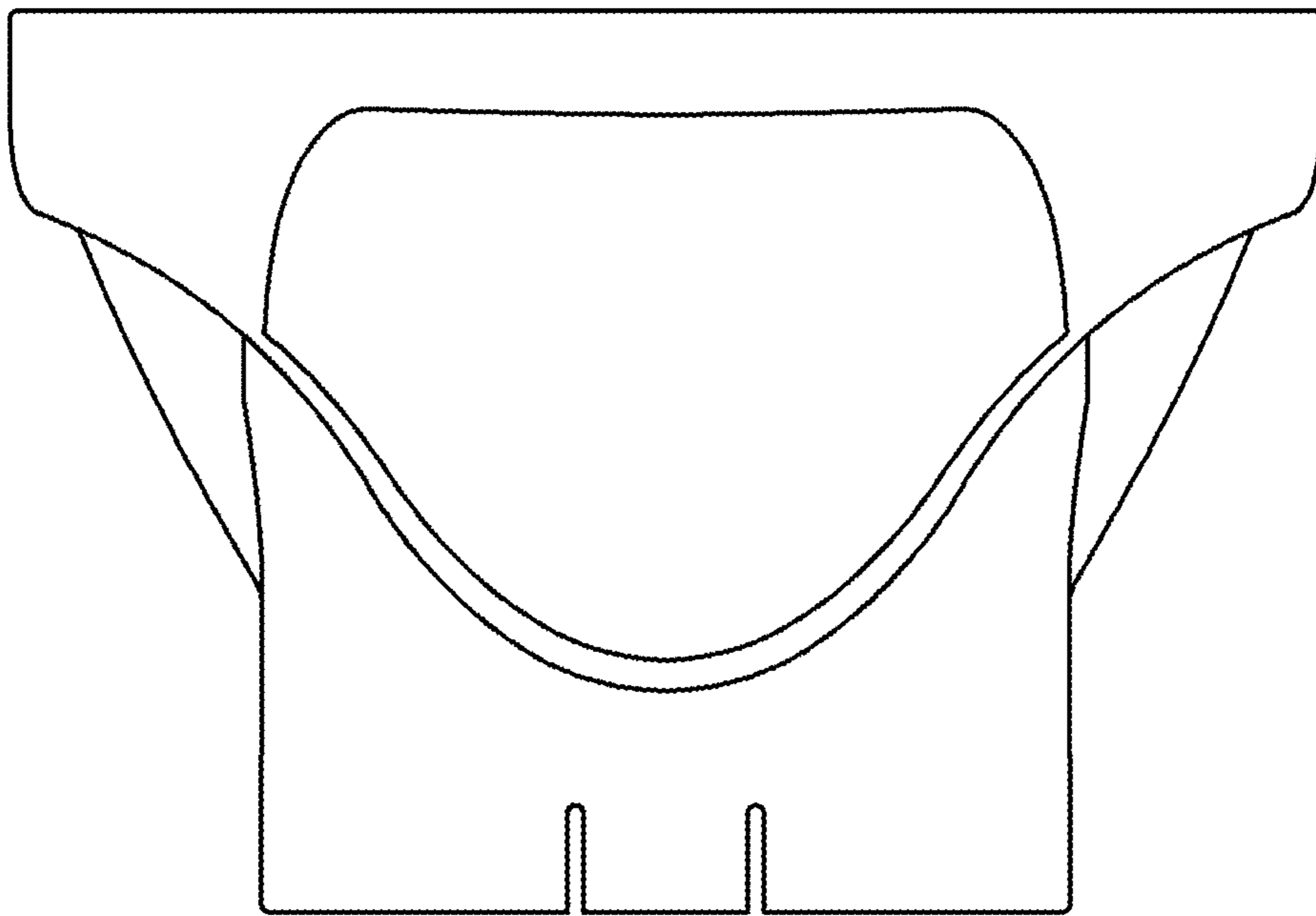
1.5



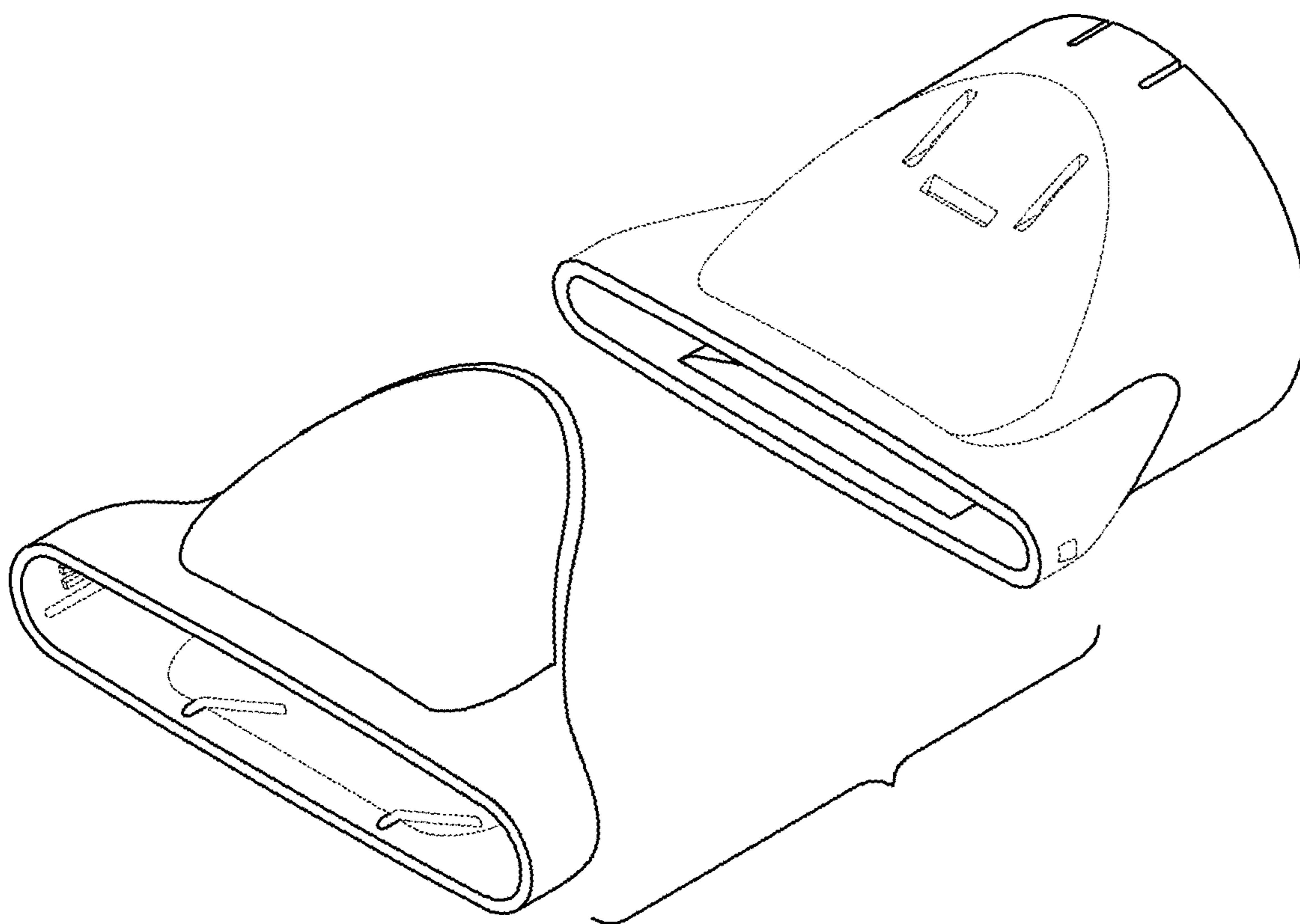
1.6



1.7



1.8



1.9