



US00D872934S

(12) **United States Design Patent** (10) **Patent No.:** **US D872,934 S**
Powell et al. (45) **Date of Patent:** **** Jan. 14, 2020**

(54) **AEROSOL GENERATOR CARTOMIZER**

FOREIGN PATENT DOCUMENTS

(71) Applicant: **British American Tobacco (Investments) Limited**, London (GB)

AU 201710494 4/2017
CN 203162984 U 8/2013
(Continued)

(72) Inventors: **David Hillary Powell**, London (GB);
Matthew Peter Tidnam, London (GB);
Neil Martin Baron, London (GB);
Rowan Stephen Williams, London (GB)

OTHER PUBLICATIONS

Decision to Grant in Russian Application No. 2018501854/49 dated Mar. 1, 2019, 10 pages.
(Continued)

(73) Assignee: **BRITISH AMERICAN TOBACCO (INVESTMENTS) LIMITED**, London (GB)

Primary Examiner — Susan Bennett Hattan
Assistant Examiner — Rebecca Tsehaye
(74) *Attorney, Agent, or Firm* — Patterson Thuent Pedersen, P.A.

(**) Term: **15 Years**

(57) **CLAIM**

(21) Appl. No.: **29/645,154**

We claim the ornamental design for an aerosol generator cartomizer, as shown and described.

(22) Filed: **Apr. 24, 2018**

DESCRIPTION

(30) **Foreign Application Priority Data**

Oct. 24, 2017 (EM) 004419653

(51) **LOC (12) Cl.** **27-02**

(52) **U.S. Cl.**
USPC **D27/163**

(58) **Field of Classification Search**
USPC D27/170, 101, 106, 108, 162, 163, 165,
D27/167-169, 172, 174, 175, 183,
(Continued)

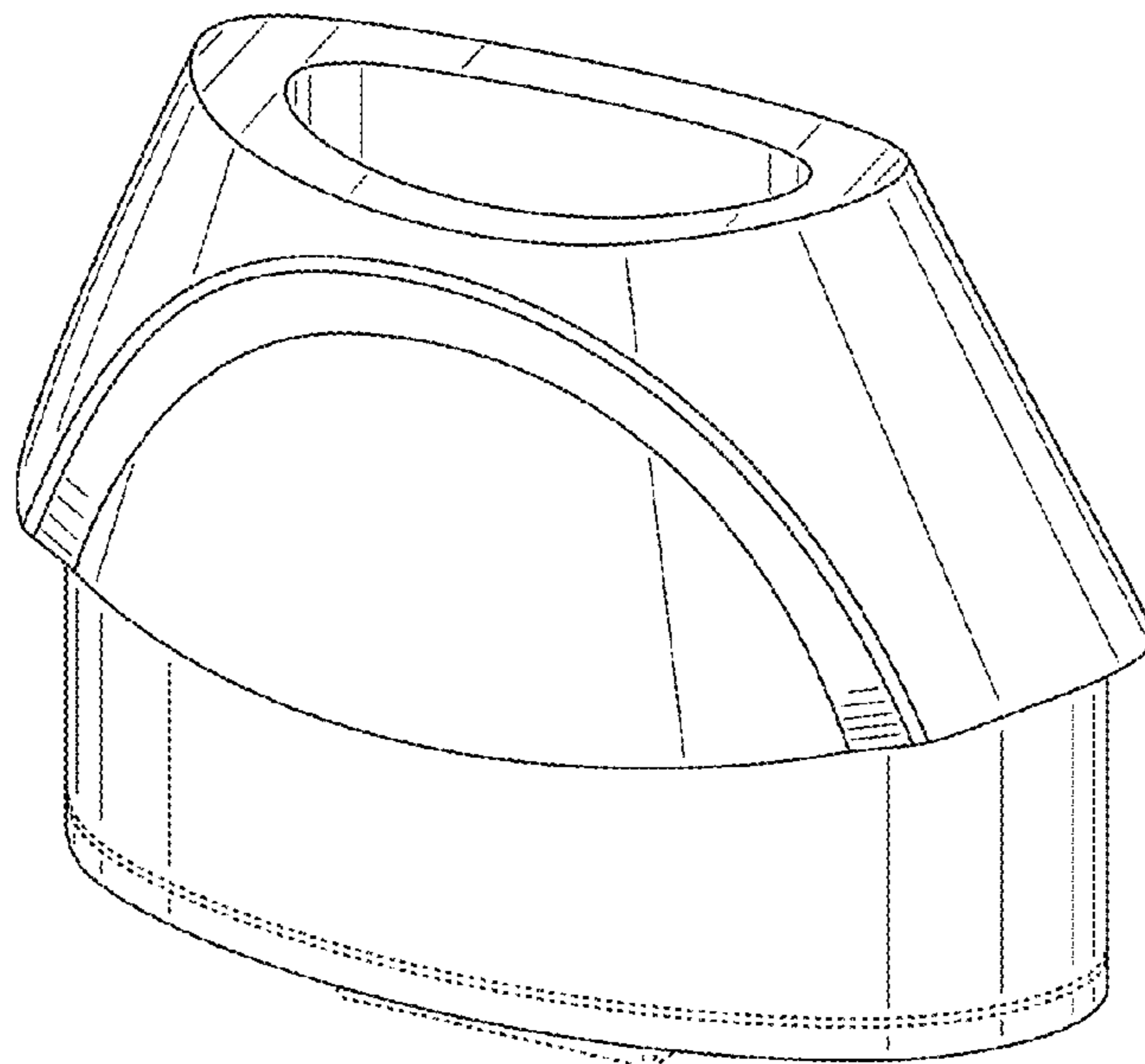
FIG. 1 is a front top perspective view of an aerosol generator cartomizer.
FIG. 2 is a rear bottom perspective view of the aerosol generator cartomizer depicted in FIG. 1.
FIG. 3 is a front elevational view of the aerosol generator cartomizer depicted in FIG. 1.
FIG. 4 is a rear elevational view of the aerosol generator cartomizer depicted in FIG. 1.
FIG. 5 is a right side elevational view of the aerosol generator cartomizer depicted in FIG. 1, the left side elevational view being a mirror image thereof.
FIG. 6 is a top plan view of the aerosol generator cartomizer depicted in FIG. 1; and,
FIG. 7 is a bottom plan view of the aerosol generator cartomizer depicted in FIG. 1.
The broken lines in the drawings illustrate portions of the aerosol generator cartomizer that form no part of the claimed design.

(56) **References Cited**

U.S. PATENT DOCUMENTS

D201,420 S 6/1965 Bernard
D365,889 S 1/1996 Kim
(Continued)

1 Claim, 7 Drawing Sheets



(58) **Field of Classification Search**
 USPC D27/186-190, 193, 195; D24/110, 110.5;
 131/273, 274, 191, 329, 330
 CPC A24F 9/00; A24F 47/002; A24F 47/004;
 A24F 47/006; A24F 47/008; A61M 15/06
 See application file for complete search history.

(56) **References Cited**

U.S. PATENT DOCUMENTS

D418,253 S 12/1999 Bakic
 D421,300 S * 2/2000 Denyer D24/110
 D426,030 S 5/2000 Heeter et al.
 D447,948 S * 9/2001 Pannozzo D9/448
 D463,618 S 9/2002 Smith
 D473,796 S 4/2003 Calello et al.
 D485,639 S 1/2004 Stronski
 D493,912 S 8/2004 Wong
 D502,285 S 2/2005 Tufts, Jr. et al.
 D532,927 S 11/2006 Sann
 D536,969 S * 2/2007 Geier D9/448
 D546,939 S 7/2007 Collins et al.
 D561,891 S * 2/2008 Lithgow D24/110
 D579,342 S 10/2008 Claughton et al.
 D580,776 S 11/2008 Claughton et al.
 D612,480 S * 3/2010 Cork D24/110
 D613,395 S * 4/2010 Nakao D24/110
 D613,396 S * 4/2010 Nakao D24/110
 D614,285 S 4/2010 Birath et al.
 D627,638 S * 11/2010 Bodet D9/448
 D634,065 S * 3/2011 Borushek D27/170
 D641,409 S 7/2011 Wang et al.
 D644,375 S 8/2011 Zhou
 D673,325 S 12/2012 Marines
 D676,621 S 2/2013 Florkiewicz et al.
 D680,432 S * 4/2013 Geier D9/448
 8,499,766 B1 8/2013 Newton
 D690,383 S 9/2013 Sheikh et al.
 D691,324 S 10/2013 Saliman
 D696,455 S 12/2013 Abroff
 D707,484 S 6/2014 Fee
 D711,528 S * 8/2014 Grunstad D24/110
 D718,492 S 11/2014 Albanese
 D720,499 S 12/2014 Alima
 D720,882 S 1/2015 Albanese
 D720,883 S 1/2015 Albanese
 D722,721 S * 2/2015 Ross D27/167
 D723,216 S 2/2015 Chen
 D725,310 S 3/2015 Ekosuzian
 D728,855 S 5/2015 Liu
 D729,366 S 5/2015 Kauss et al.
 D736,994 S 8/2015 Miuttersinker
 D741,178 S 10/2015 Higareda et al.
 D741,179 S 10/2015 Higareda et al.
 D743,622 S 11/2015 Alima
 D746,680 S * 1/2016 Orasche D9/448
 D748,853 S 2/2016 Seibel et al.
 D750,492 S * 3/2016 Campbell D9/448
 D750,834 S 3/2016 Wei
 D750,835 S 3/2016 Wei
 D752,278 S 3/2016 Verleur
 D753,874 S 4/2016 Moreno
 D756,031 S 5/2016 Wu
 D757,352 S 5/2016 Bagai
 D758,656 S 6/2016 Freshwater et al.
 D760,948 S 7/2016 Eksouzian
 D761,998 S 7/2016 Pinder
 D763,501 S 8/2016 McGarry et al.
 D763,502 S 8/2016 Verleur et al.
 D764,701 S 8/2016 Malhi
 D768,915 S 10/2016 Wright et al.
 D771,867 S 11/2016 Leidel et al.
 D773,727 S 12/2016 Eksouzian
 D776,337 S 1/2017 Levin et al.
 D776,869 S 1/2017 Heidl
 D778,493 S 2/2017 Scott
 D778,494 S 2/2017 Scott et al.

D779,719 S 2/2017 Qiu
 D780,991 S 3/2017 Liu
 D782,728 S 3/2017 Pinder
 D782,729 S 3/2017 Wright et al.
 D786,497 S 5/2017 Sudlow et al.
 D787,114 S 5/2017 Scott
 D790,123 S 6/2017 Beer et al.
 D790,124 S 6/2017 Beer et al.
 D790,125 S 6/2017 Beer et al.
 D792,021 S 7/2017 Beer et al.
 D792,643 S 7/2017 Wong et al.
 D795,496 S 8/2017 Beer et al.
 D799,110 S 10/2017 Qiu
 D799,112 S 10/2017 Qiu
 D799,113 S 10/2017 Qiu
 D799,745 S 10/2017 Qiu
 D800,383 S 10/2017 Verleur et al.
 D801,581 S 10/2017 Scott et al.
 D802,208 S 11/2017 Scott
 D802,839 S 11/2017 Scott
 D804,091 S 11/2017 Fornarelli
 D805,684 S 12/2017 Thuery
 D807,576 S 1/2018 Liu et al.
 D814,303 S 4/2018 Ascherl et al.
 D818,638 S 5/2018 Wright et al.
 D819,880 S 6/2018 Qiu
 D820,515 S * 6/2018 Nettenstrom D27/167
 D823,536 S 7/2018 Lai
 D825,099 S 8/2018 Wright et al.
 D825,103 S 8/2018 Wright et al.
 D827,117 S 8/2018 Rigbi
 D831,270 S 10/2018 Qiu
 D831,271 S 10/2018 Qiu
 D832,501 S 10/2018 Qiu et al.
 D843,052 S 3/2019 Powell et al.
 2008/0164285 A1 * 7/2008 Hygema B65D 83/205
 222/153.11
 2010/0200008 A1 8/2010 Taieb
 2013/0042865 A1 2/2013 Monsees et al.
 2013/0152954 A1 6/2013 Youn
 2013/0199528 A1 8/2013 Goodman et al.
 2014/0026903 A1 1/2014 Haider
 2014/0283858 A1 9/2014 Liu
 2015/0034104 A1 2/2015 Zhou
 2015/0059786 A1 3/2015 Li et al.
 2015/0101623 A1 4/2015 Liu
 2015/0114406 A1 4/2015 Newton
 2015/0128971 A1 5/2015 Verleur et al.
 2015/0150307 A1 6/2015 Liu
 2015/0164141 A1 6/2015 Newton
 2015/0181930 A1 7/2015 Liu
 2015/0181940 A1 7/2015 Liu
 2015/0196055 A1 7/2015 Liu
 2015/0208728 A1 7/2015 Lord
 2015/0333542 A1 11/2015 Alarcon et al.
 2015/0335075 A1 11/2015 Minskoff et al.
 2015/0342255 A1 12/2015 Wu
 2016/0050976 A1 2/2016 Righetti
 2016/0113325 A1 4/2016 Liu
 2016/0150823 A1 6/2016 Liu
 2016/0204637 A1 7/2016 Alarcon et al.
 2016/0213065 A1 7/2016 Wensley et al.
 2016/0270441 A1 9/2016 Lewis et al.
 2016/0270446 A1 9/2016 Shenkal et al.
 2016/0278163 A1 9/2016 Chen
 2016/0278436 A1 9/2016 Verleur et al.
 2016/0286864 A1 10/2016 Lin
 2016/0366941 A1 12/2016 Lin
 2017/0035117 A1 2/2017 Lin
 2019/0083720 A1 * 3/2019 Leadley A24F 47/008

FOREIGN PATENT DOCUMENTS

CN 302876551 7/2014
 CN 303115457 S 2/2015
 CN 104432543 A 3/2015
 CN 303879350 S 10/2016
 EM 001279020-0001 7/2011
 EM 001316533-0003 3/2012

(56)

References Cited

FOREIGN PATENT DOCUMENTS

EM	001307631-0024	4/2012
EM	003346022-0012	8/2016
JP	1519006 S	3/2015
JP	1519007 S	3/2015
JP	1561415 S	10/2016
JP	1563215 S	11/2016
JP	1563216 S	11/2016
KR	3006818400000	2/2013
KR	3006818400001	5/2013
KR	3006818400002	5/2013
KR	3007215630000	12/2013
RU	96946 S	1/2016
WO	WODM081209	6/2013

OTHER PUBLICATIONS

Decision to Grant in Russian Application No. 2018501853/49 dated Mar. 1, 2019, 10 pages.
 Design U.S. Appl. No. 29/633,974, filed Jan. 17, 2018. Inventors: Powell et al., 118 pages.

Design U.S. Appl. No. 29/633,976, filed Jan. 17, 2018. Inventors: Powell et al., 95 pages.
 Design U.S. Appl. No. 29/645,149, filed Apr. 24, 2018. Inventors: Powell et al., 73 pages.
 Design U.S. Appl. No. 29/645,152, filed Apr. 24, 2018. Inventors: Powell et al., 74 pages.
 Design U.S. Appl. No. 29/645,155, filed Apr. 24, 2018. Inventors: Power et al., 75 pages.
 Decision to Grant in Russian Application No. 2018500239/49, dated Jul. 6, 2018, 4 pages.
 Decision to Grant in Russian Application No. 2018500240/49, dated Jul. 6, 2018, 4 pages.
 Notice of Allowance in Japanese Application No. 2018-000974, dated Apr. 3, 2018, 4 pages.
 Notice of Allowance in Japanese Application No. 2018-000975, dated Apr. 3, 2018, 4 pages.
 Decision to Grant in Russian Application No. 2018501855/49, dated Apr. 23, 2018, 6 pages.
 Decision to Grant in Russian Application No. 2018501856/49 dated Apr. 23, 2018, 6 pages.

* cited by examiner

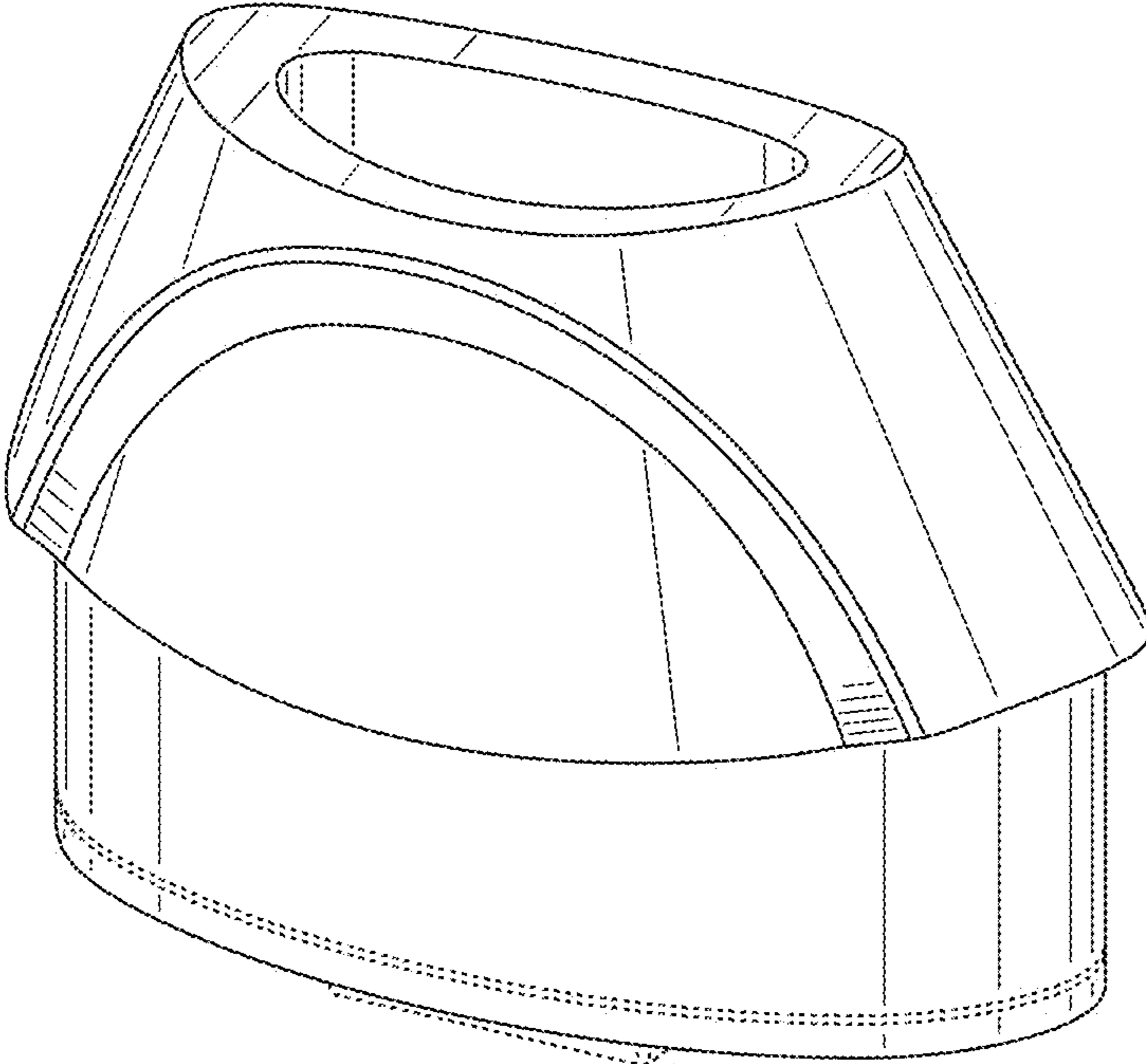


FIG. 1

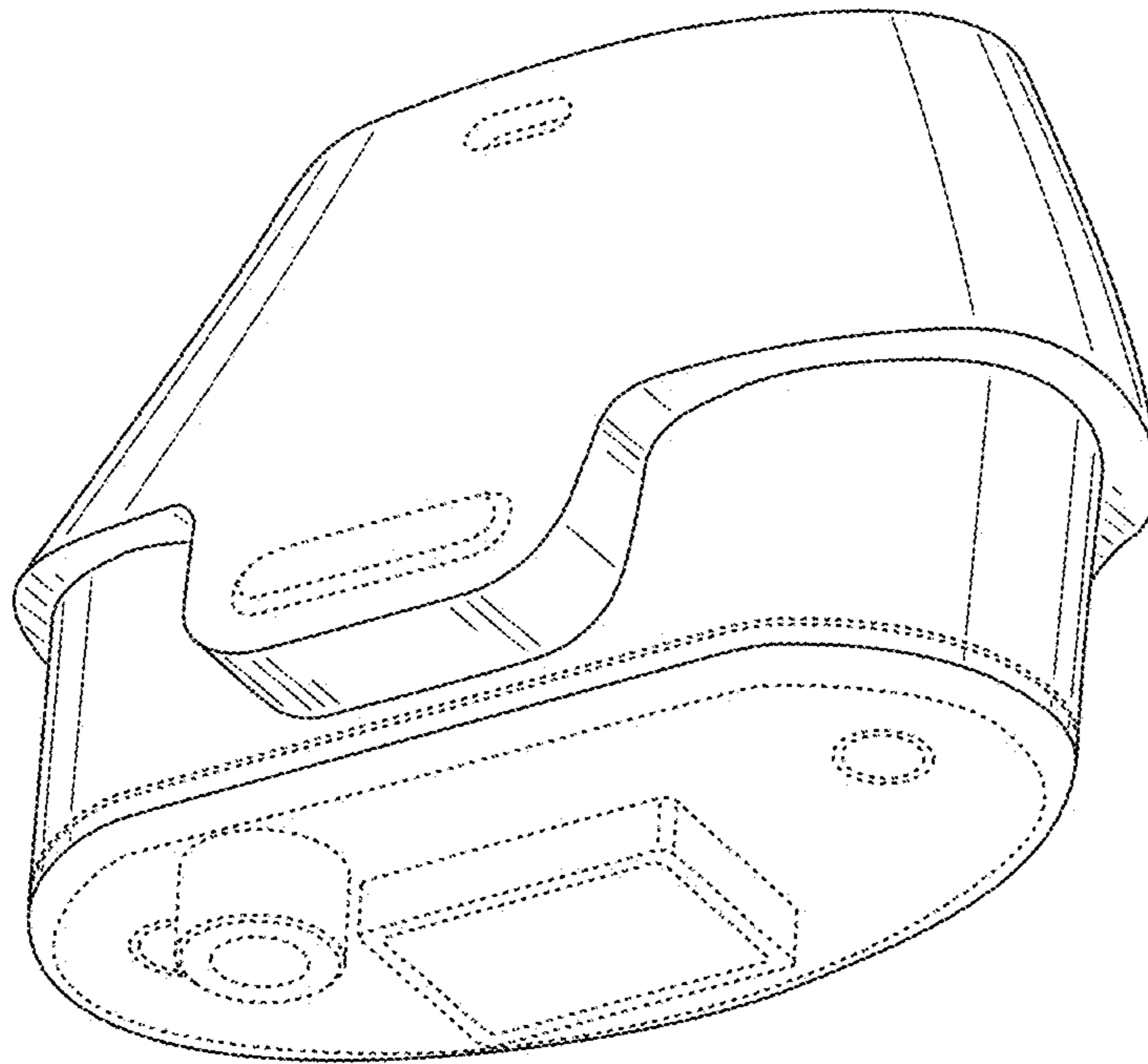


FIG. 2

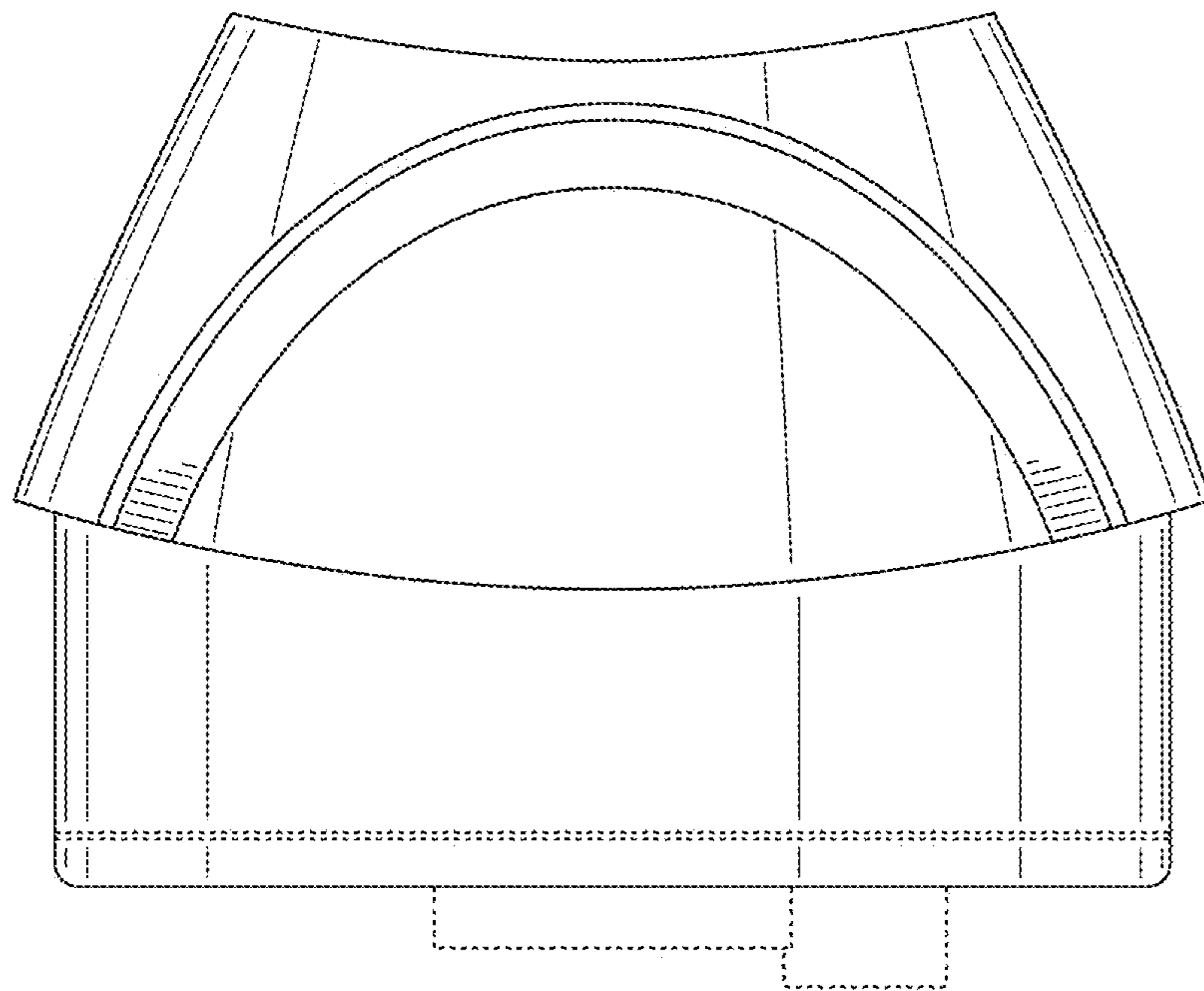


FIG. 3

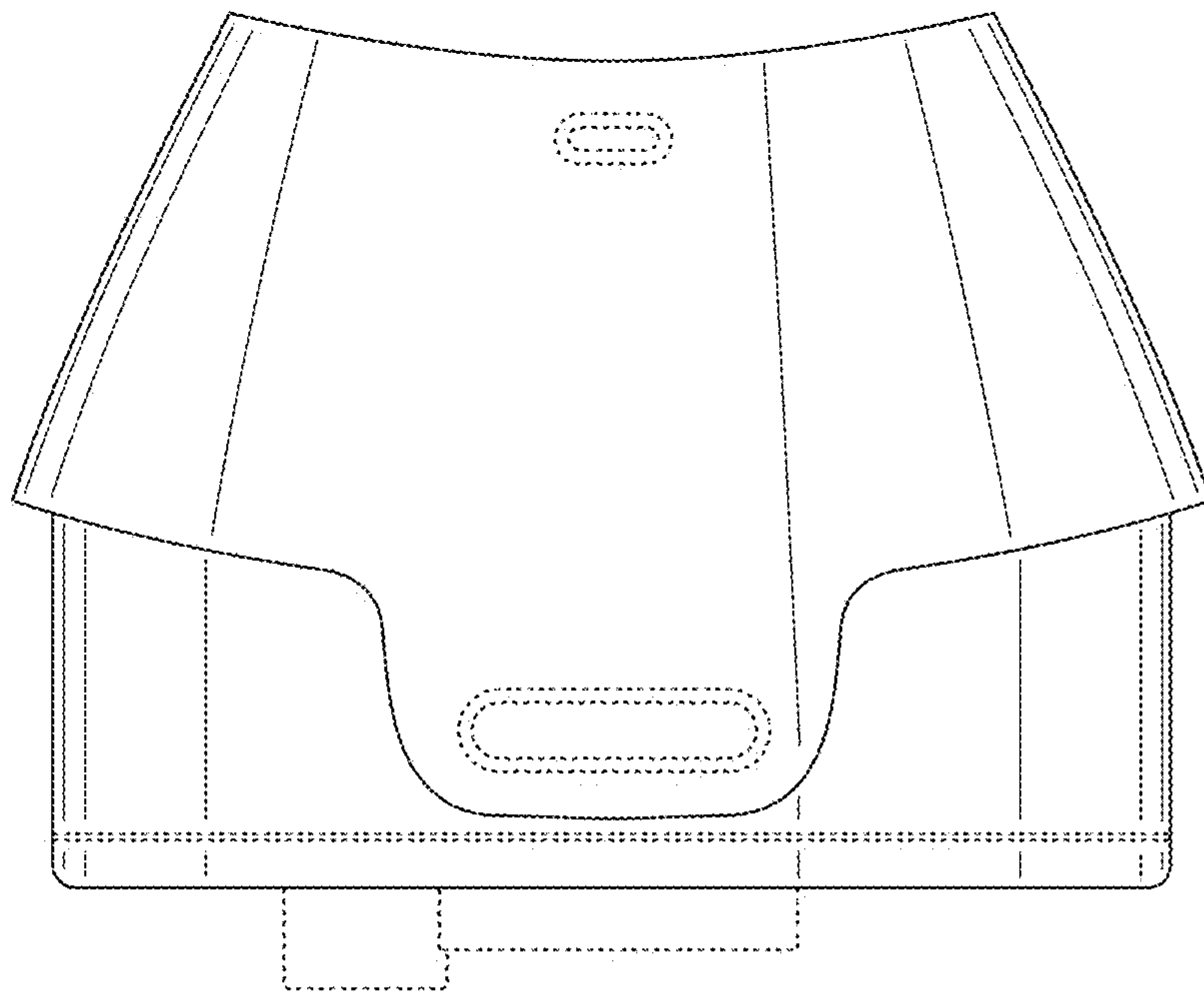


FIG. 4

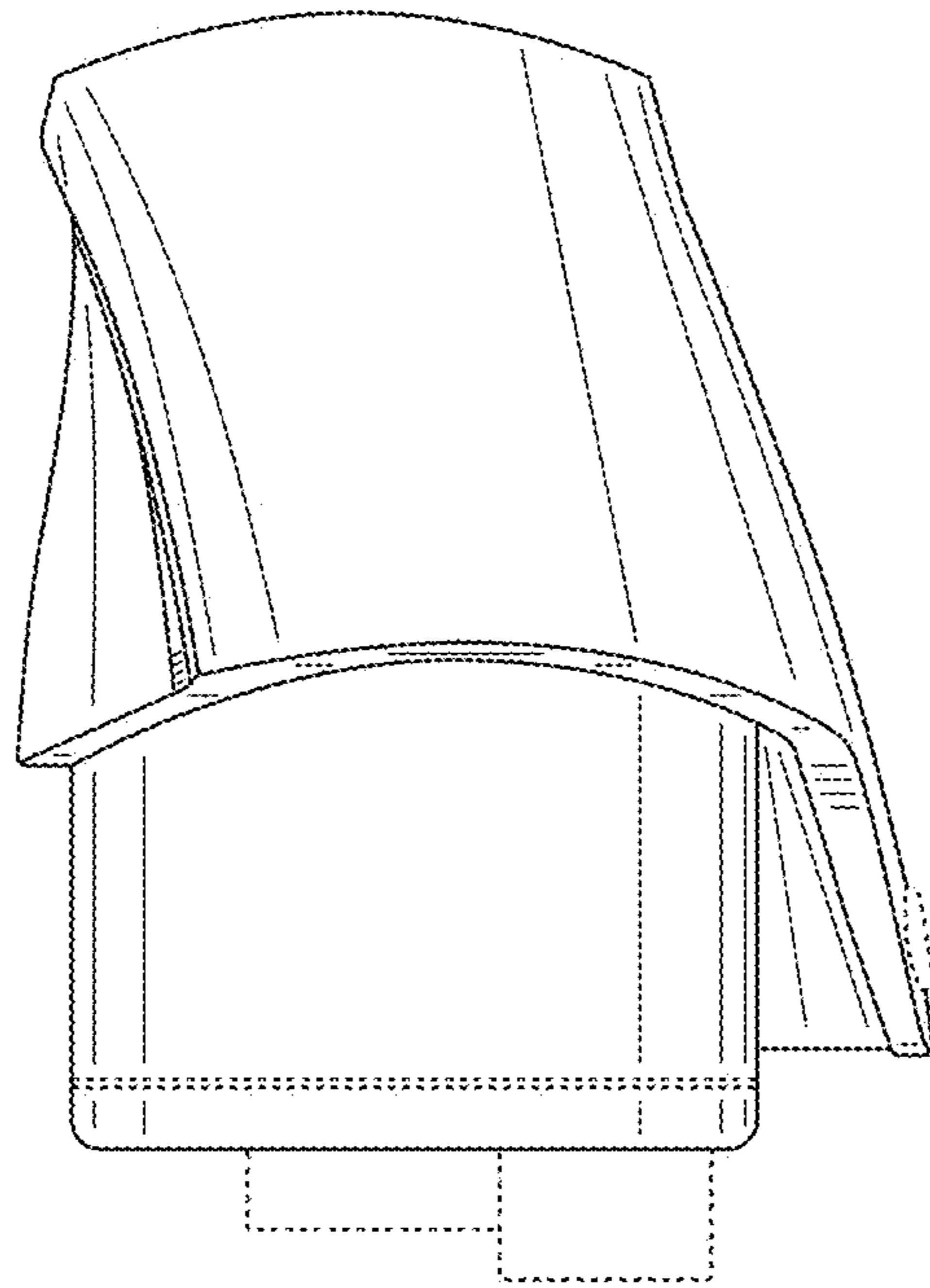


FIG. 5

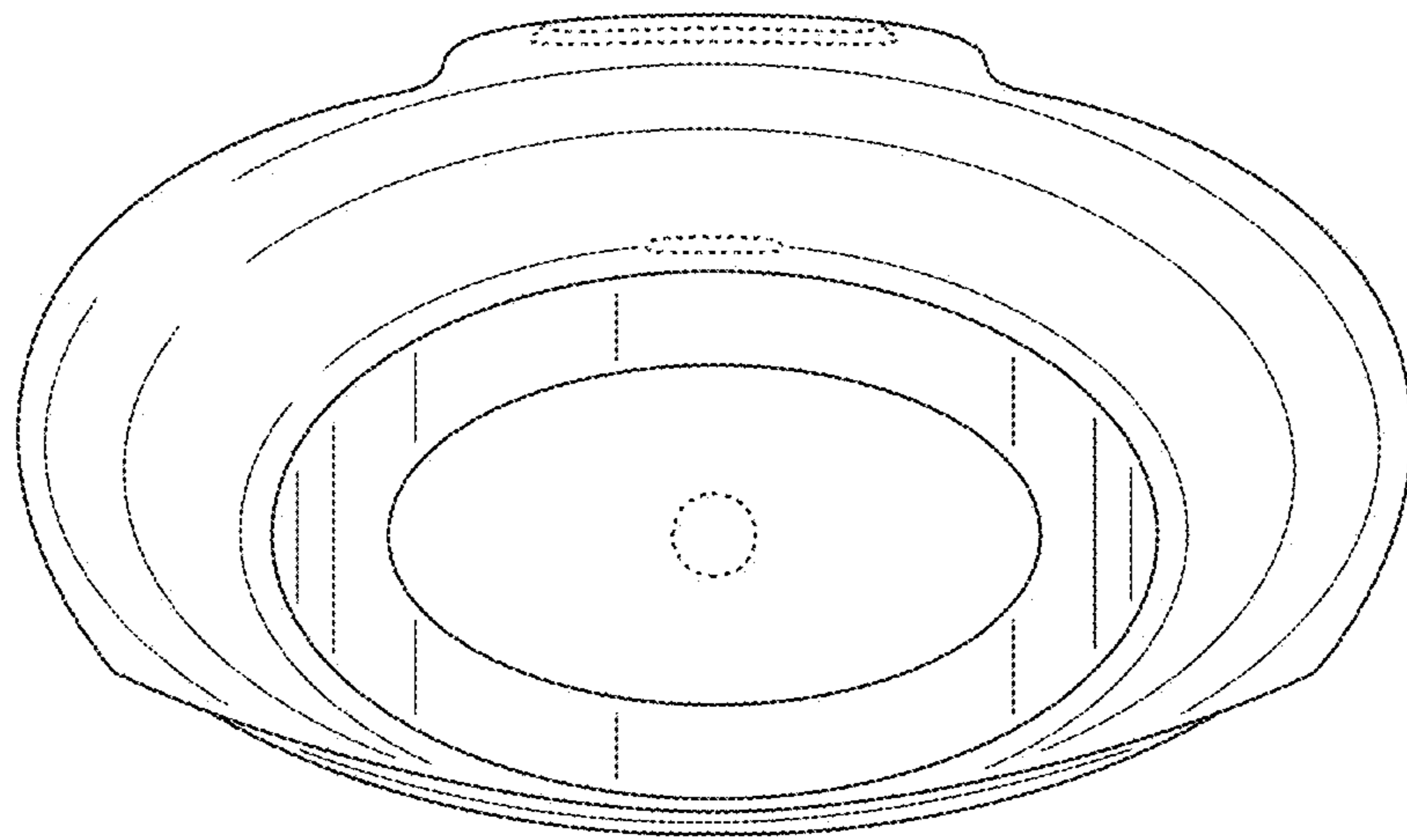


FIG. 6

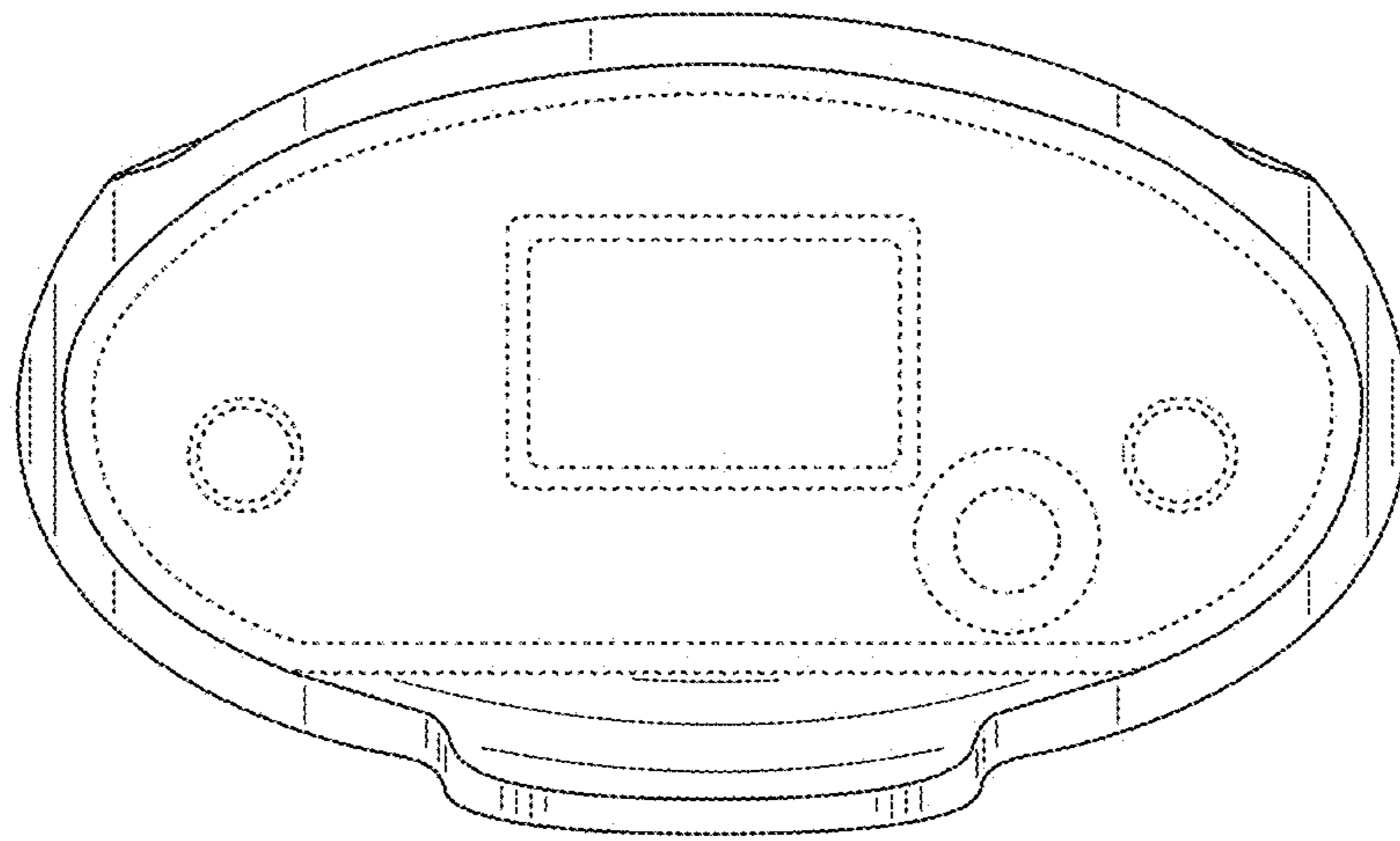


FIG. 7