



US00D872933S

(12) **United States Design Patent**
Santos

(10) **Patent No.:** **US D872,933 S**
(45) **Date of Patent:** **** Jan. 14, 2020**

- (54) **VAPORIZATION RIG**
- (71) Applicant: **Rodrigo Escorcio Santos**, Bethesda, MD (US)
- (72) Inventor: **Rodrigo Escorcio Santos**, Bethesda, MD (US)
- (**) Term: **15 Years**
- (21) Appl. No.: **29/666,277**
- (22) Filed: **Oct. 11, 2018**
- (51) **LOC (12) Cl.** **27-02**
- (52) **U.S. Cl.**
USPC **D27/162**
- (58) **Field of Classification Search**
USPC D27/162, 101, 106, 108, 139–142, 153, D27/157–161, 163–167, 169–175, 183, D27/186–190, 193, 195; D24/110, 110.5; 131/273, 274, 191, 330, 329, 328
CPC A24F 9/00; A24F 47/002; A24F 47/004; A24F 47/006; A24F 47/008; A61M 15/06
See application file for complete search history.

D822,272 S *	7/2018	Miller	D27/101
10,039,324 B2 *	8/2018	Liu	A24F 47/008
D831,269 S *	10/2018	Qiu	D27/162
10,292,431 B2 *	5/2019	White	A24B 15/16
D854,236 S *	7/2019	Qiu	D27/101

OTHER PUBLICATIONS

www.pinterest.com/pin/383087512051548419/ (Sep. 19, 2019).*

* cited by examiner

Primary Examiner — Marissa J Cash

Assistant Examiner — Rebecca Tsehaye

(74) *Attorney, Agent, or Firm* — Edell, Shapiro & Finnan, LLC

(57) **CLAIM**

The ornamental design for a vaporization rig, as shown and described.

DESCRIPTION

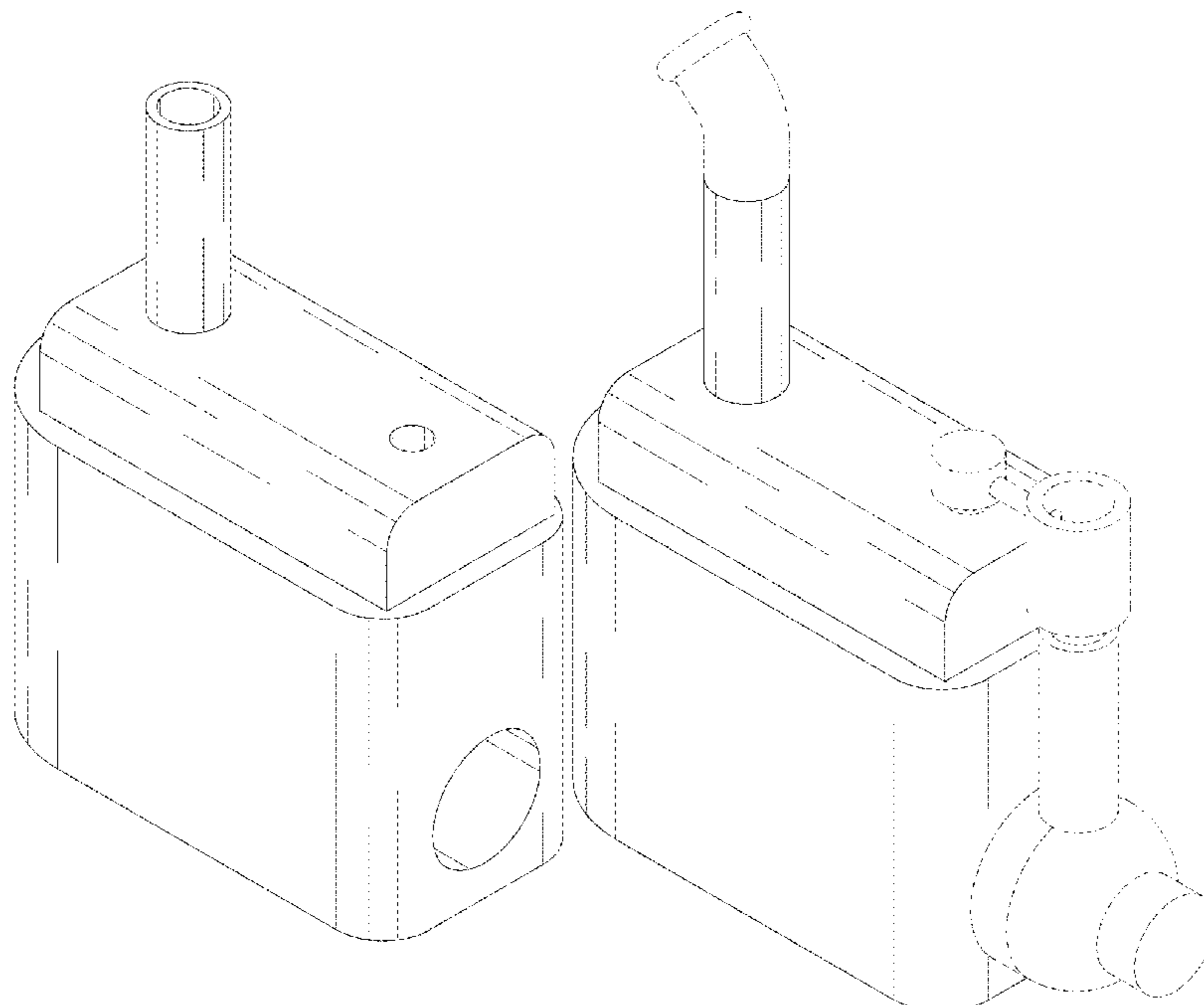
FIG. 1 is a top perspective view of a vaporization rig;
 FIG. 2 is a bottom perspective view of the vaporization rig of FIG. 1;
 FIG. 3 is a front view of the vaporization rig of FIG. 1;
 FIG. 4 is a back view of the vaporization rig of FIG. 1;
 FIG. 5 is a first side view of the vaporization rig of FIG. 1;
 FIG. 6 is a second side view of the vaporization rig of FIG. 1;
 FIG. 7 is a top view of the vaporization rig of FIG. 1;
 FIG. 8 is a bottom view of the vaporization rig of FIG. 1;
 and,
 FIG. 9 is a top perspective view of the vaporization rig of FIG. 1 shown in an environment of use.
 The broken lines in the drawings illustrate environmental subject matter only and form no part of the claimed design.

(56) **References Cited**

U.S. PATENT DOCUMENTS

D649,708 S *	11/2011	Oneil	D27/163
D690,002 S *	9/2013	Storey	D24/110
D745,213 S *	12/2015	Alima	D27/143
D753,336 S *	4/2016	Chen	D27/101
D771,867 S *	11/2016	Leidel	D27/163
D773,114 S *	11/2016	Leidel	D27/163
D775,762 S *	1/2017	Chen	D27/101
D799,746 S *	10/2017	Leidel	D27/163
D802,834 S *	11/2017	Mathias	D27/163
D819,880 S *	6/2018	Qiu	D27/101
D821,639 S *	6/2018	Dai	D27/162

1 Claim, 6 Drawing Sheets



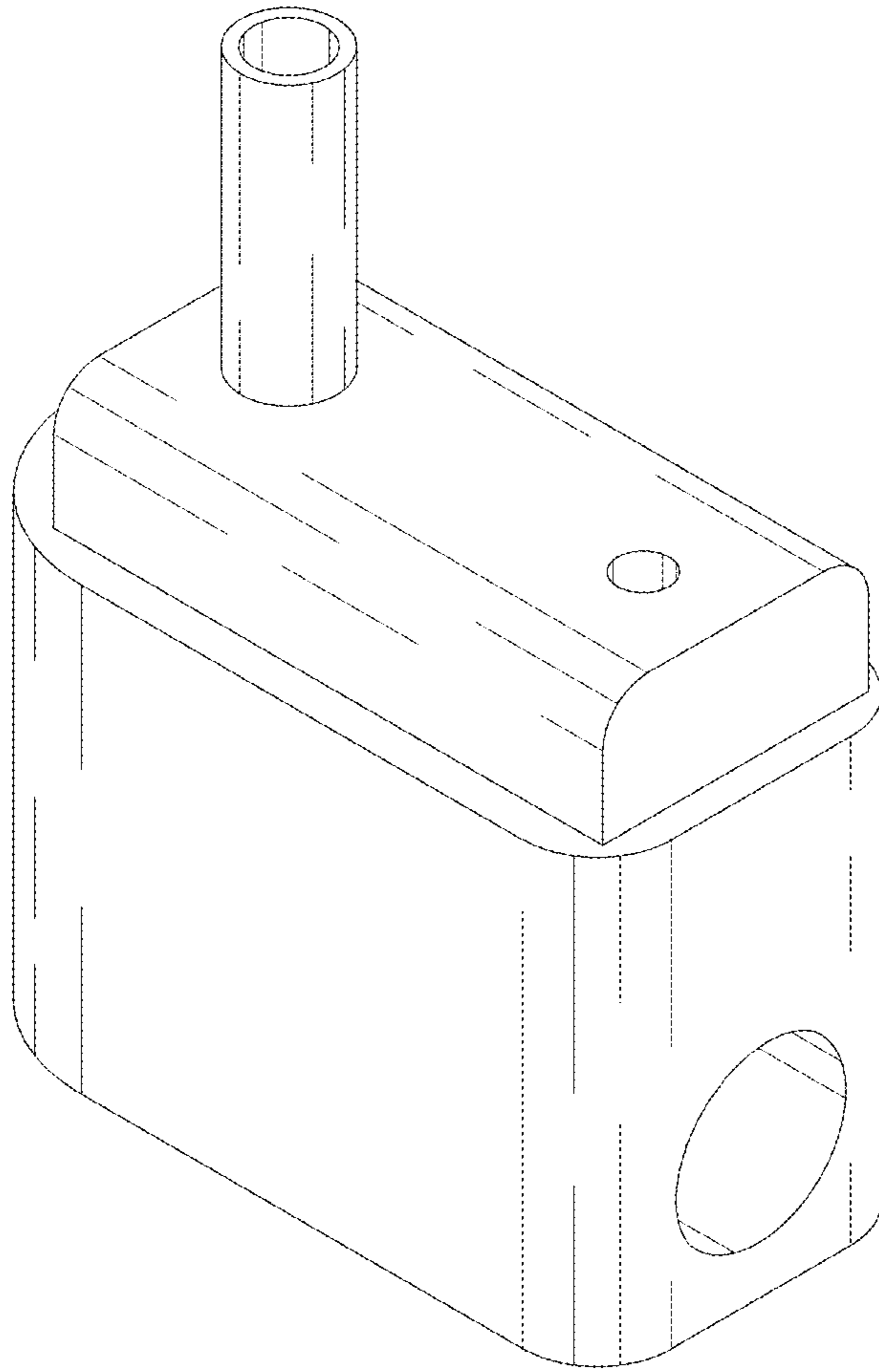


FIG.1

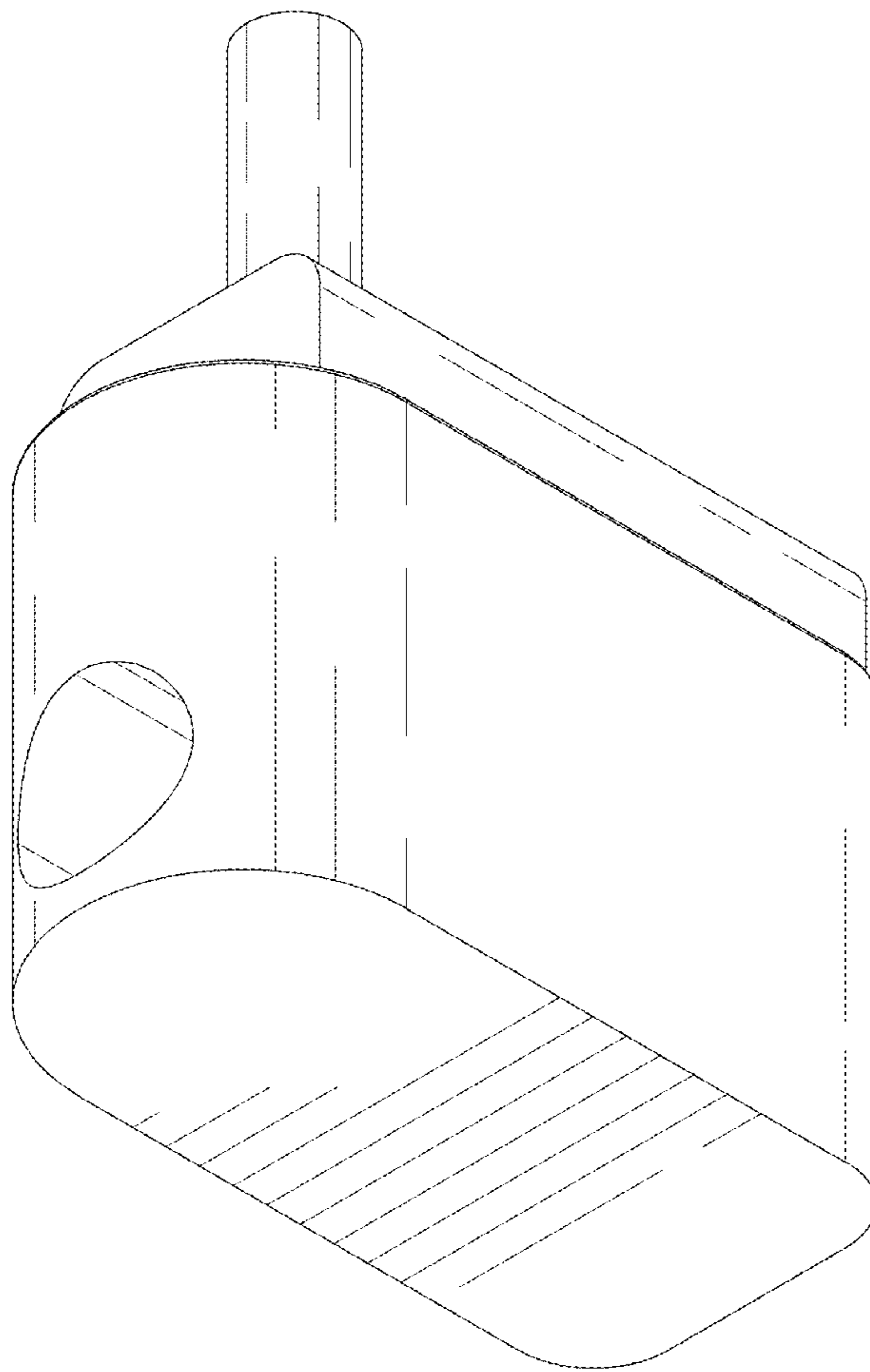


FIG. 2

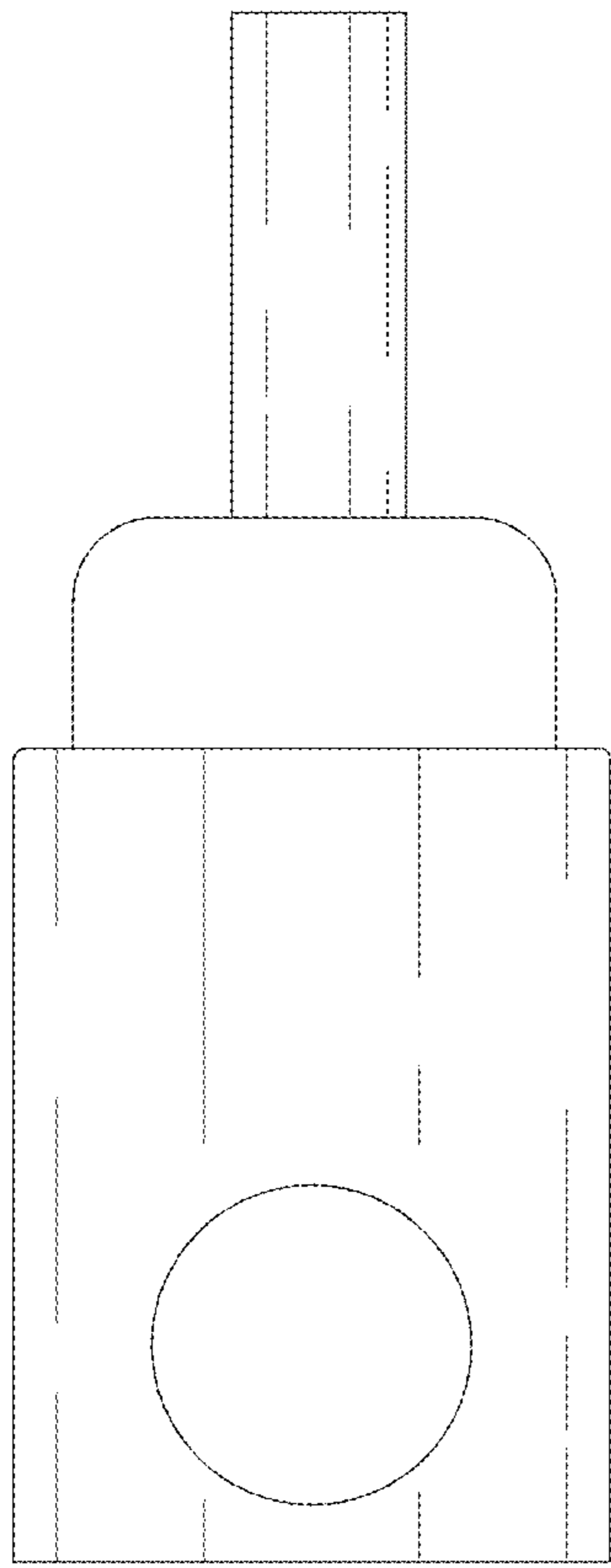


FIG.3

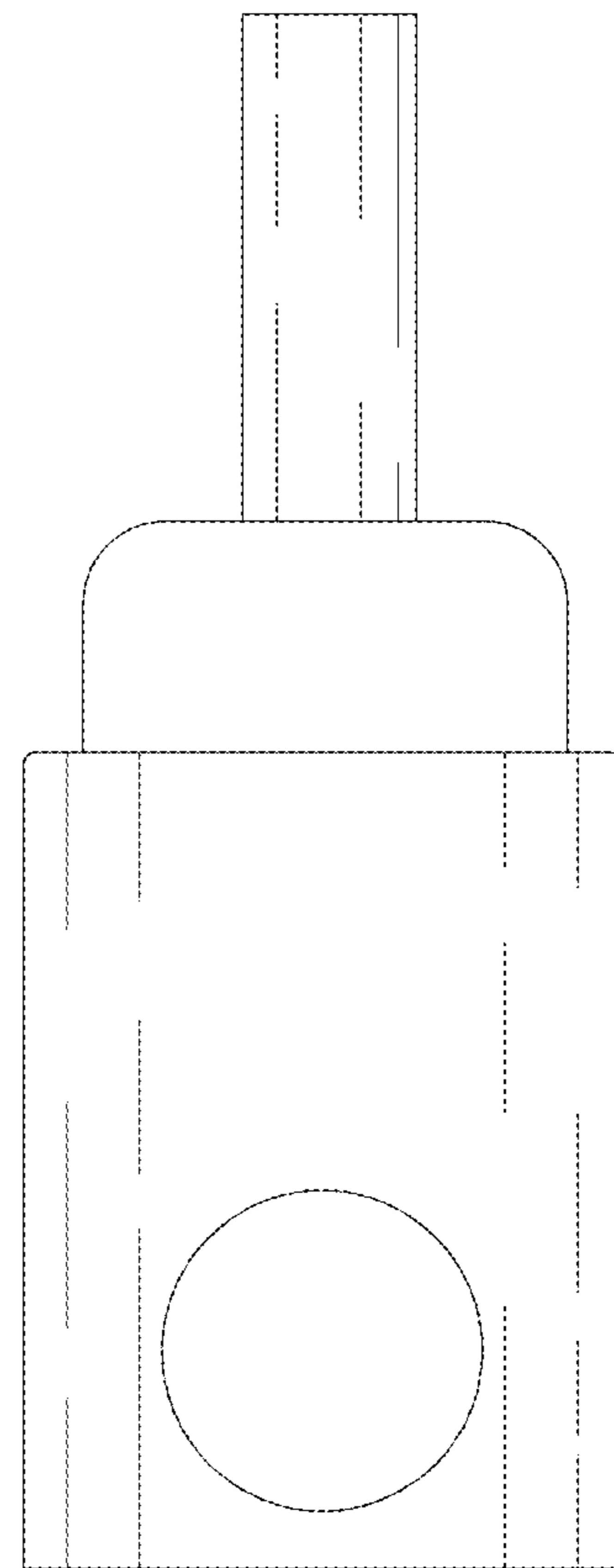


FIG.4

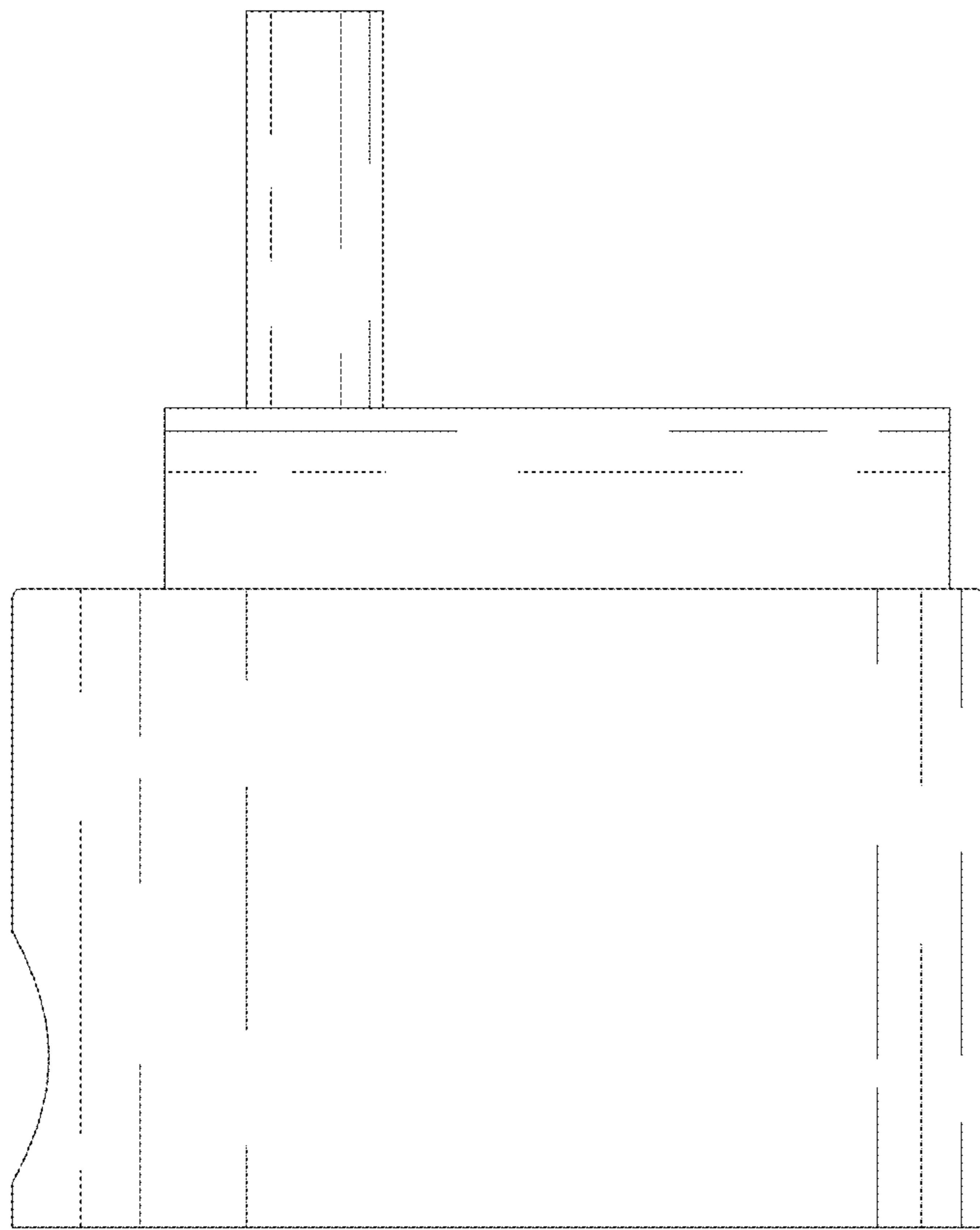


FIG.5

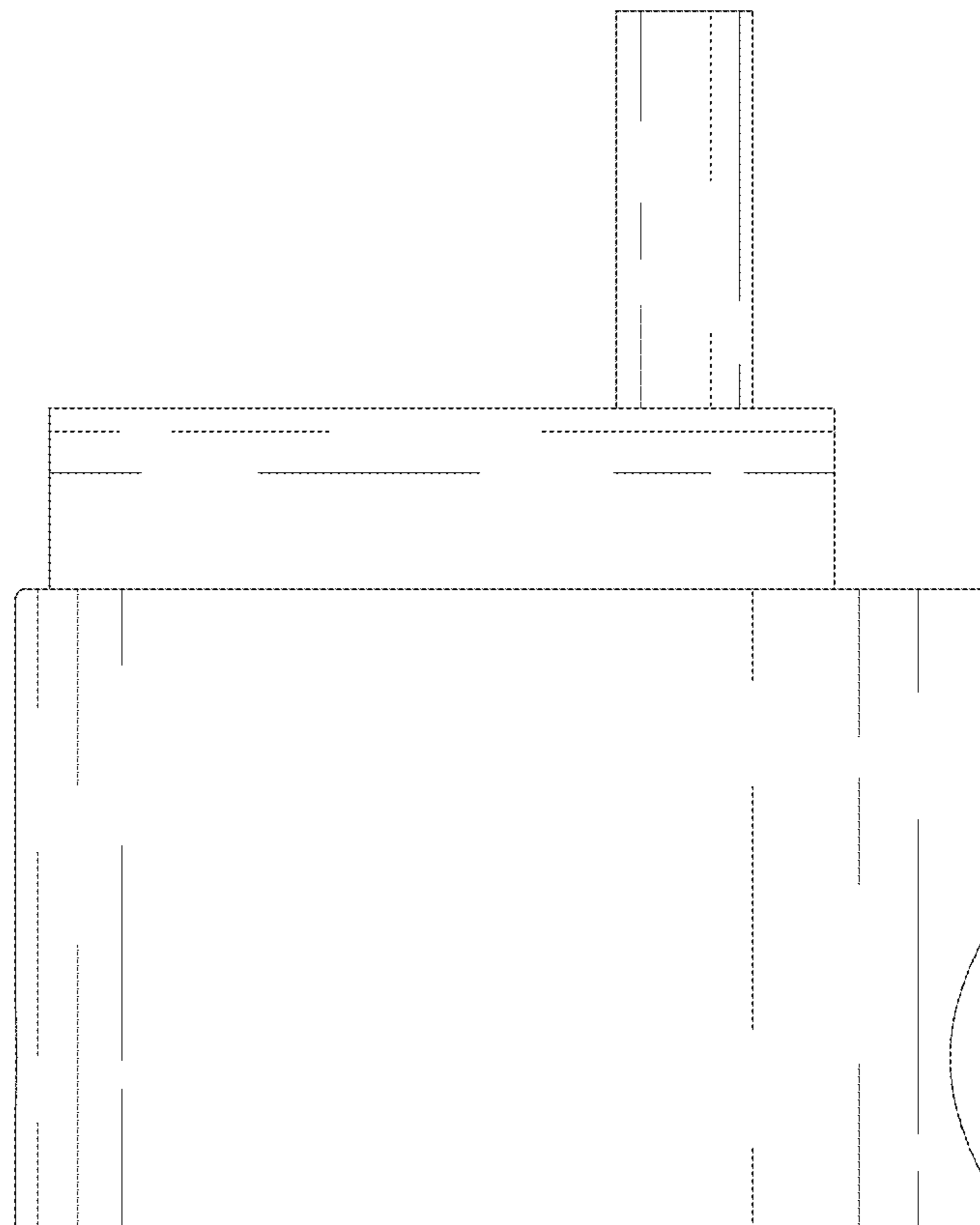


FIG.6

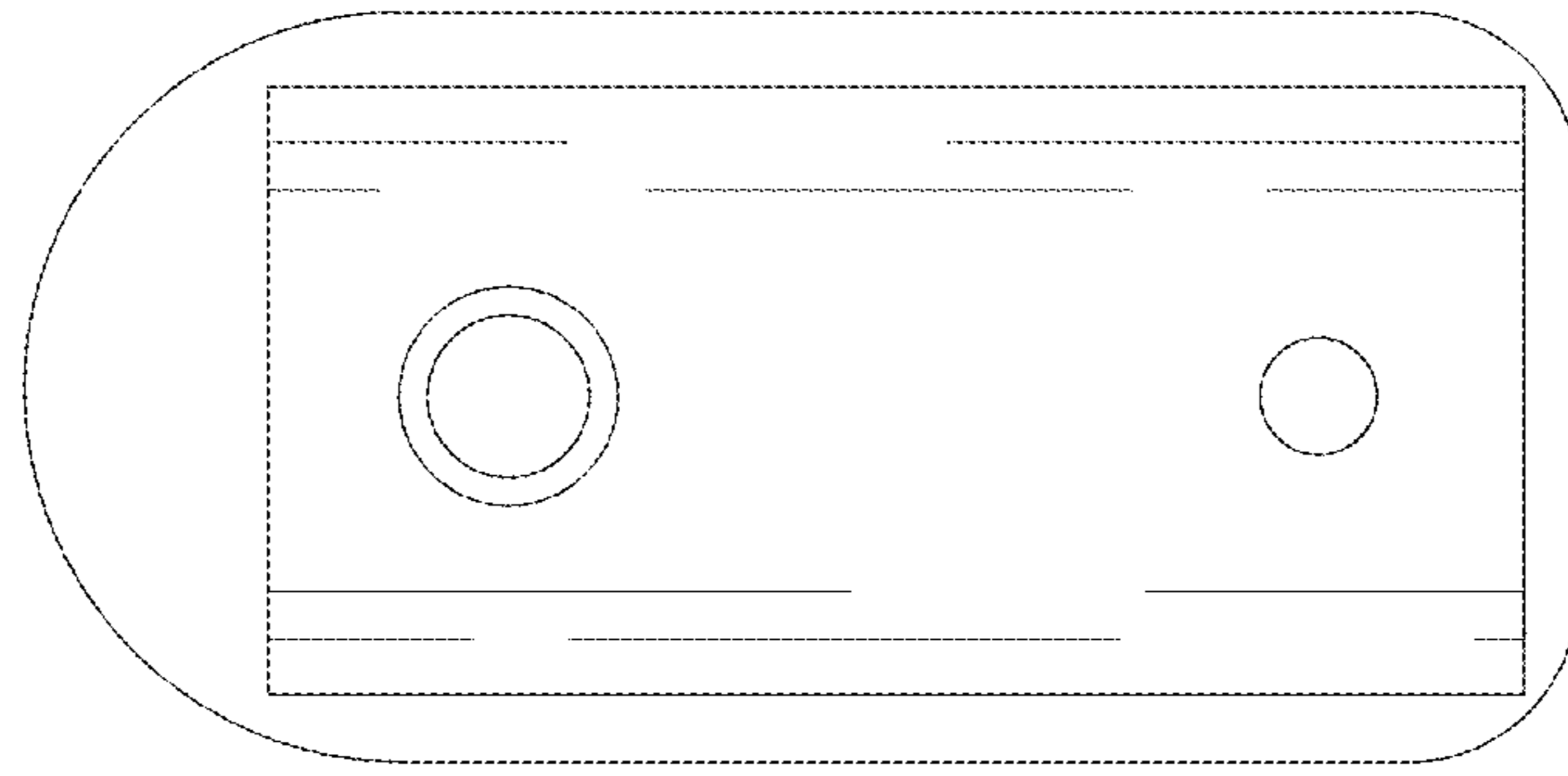


FIG.7

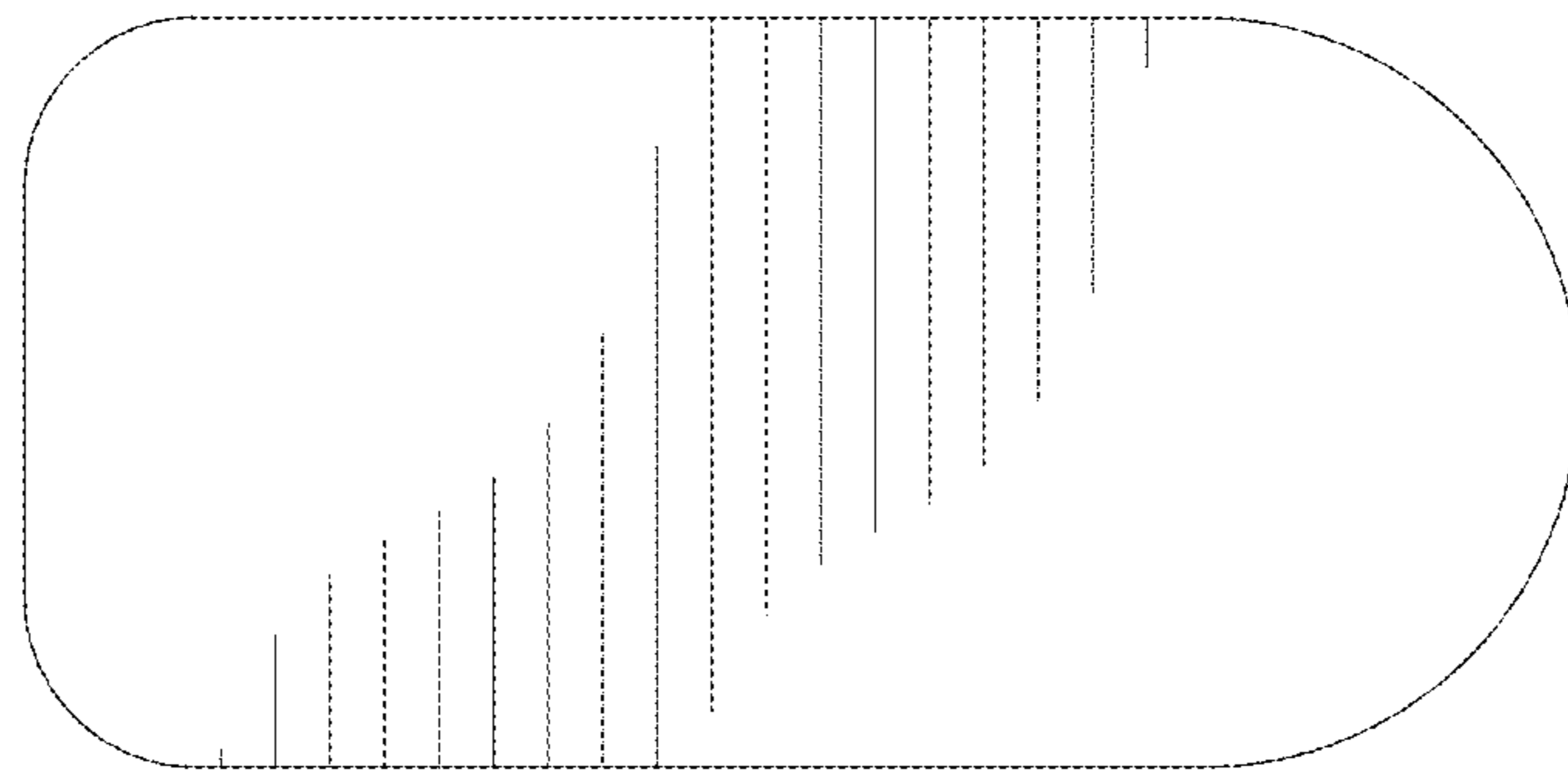


FIG.8

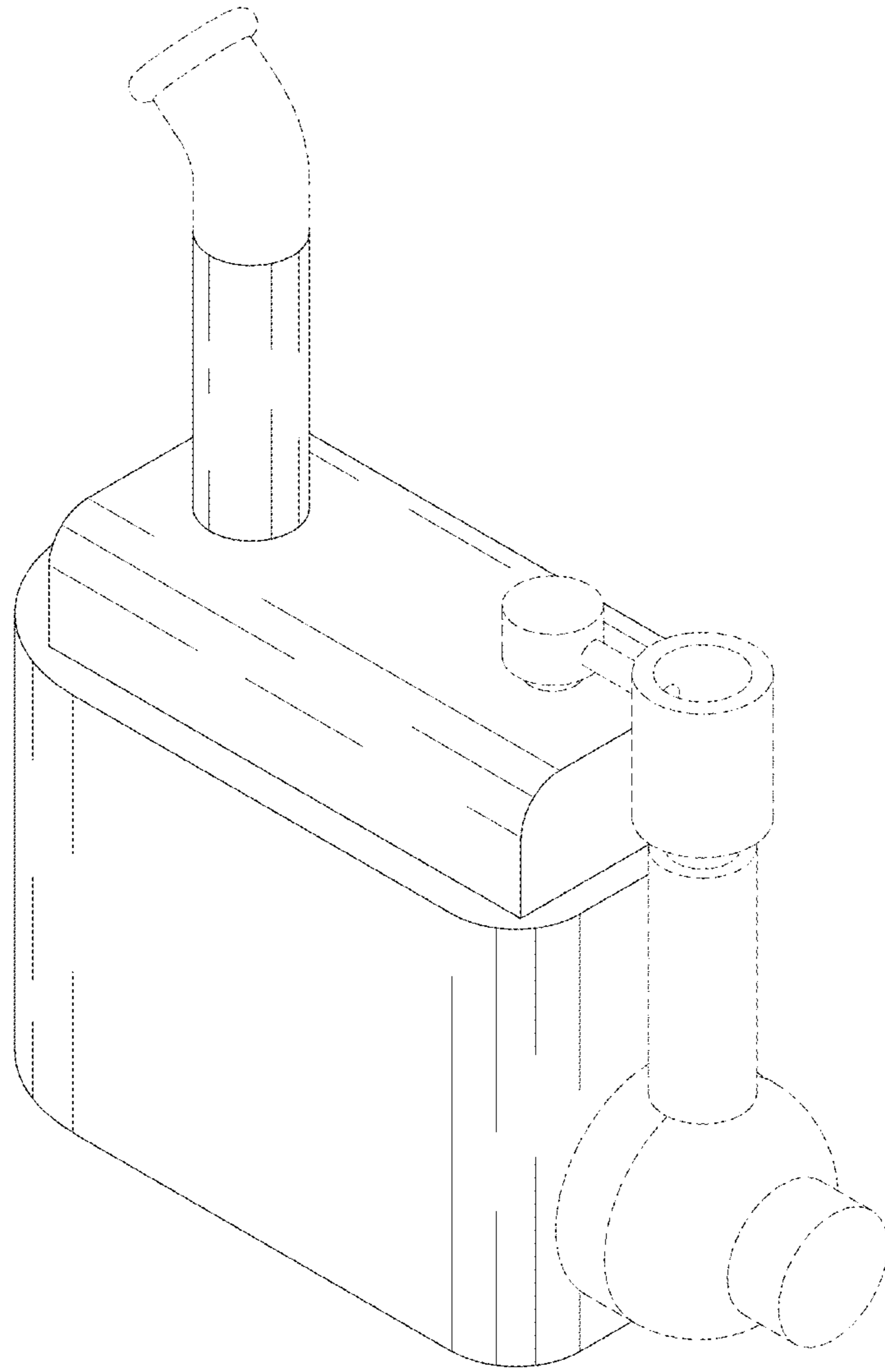


FIG. 9