



US00D872928S

(12) **United States Design Patent**  
**Gordin et al.**

(10) **Patent No.:** **US D872,928 S**

(45) **Date of Patent:** **\*\* Jan. 14, 2020**

(54) **LIGHTING FIXTURE WITH VISOR**

(71) Applicant: **Musco Corporation**, Oskaloosa, IA (US)

(72) Inventors: **Myron Gordin**, Oskaloosa, IA (US);  
**Joel D. DeBoef**, New Sharon, IA (US);  
**Steven T. Heaton**, Oskaloosa, IA (US);  
**Kenneth G. Lewis, Jr.**, New Sharon, IA (US);  
**Chris P. Lickiss**, Newton, IA (US);  
**Luke C. McKee**, Oskaloosa, IA (US)

(73) Assignee: **Musco Corporation**, Oskaloosa, IA (US)

(\*\*) Term: **15 Years**

(21) Appl. No.: **29/637,425**

(22) Filed: **Feb. 19, 2018**

(51) **LOC (12) Cl.** ..... **26-03**

(52) **U.S. Cl.**  
USPC ..... **D26/118; D26/63**

(58) **Field of Classification Search**  
USPC ..... D26/60-66, 72, 85, 87, 92, 118  
CPC . F21K 9/00; F21V 5/007; F21V 7/005; F21V 7/05; F21V 7/0083; F21V 11/04; F21V 11/14; F21V 15/01; F21V 19/001; F21V 21/002; F21V 21/06; F21V 21/0885; F21V 21/145; F21V 21/30; F21V 33/0024  
See application file for complete search history.

(56) **References Cited**

**U.S. PATENT DOCUMENTS**

D391,382 S \* 2/1998 Rahn ..... D26/63  
D411,025 S \* 6/1999 Rahn ..... D26/63  
D678,596 S \* 3/2013 Bryant ..... D26/118  
D714,992 S \* 10/2014 Bryant ..... D26/118

D747,533 S \* 1/2016 Bryant ..... D26/118  
D757,991 S \* 5/2016 Intelisano ..... D26/118  
D793,606 S \* 8/2017 Bryant ..... D26/118  
D841,854 S \* 2/2019 Gordin ..... D26/63  
D841,855 S \* 2/2019 Gordin ..... D26/63  
D841,856 S \* 2/2019 Gordin ..... D26/63  
2018/0347787 A1\* 12/2018 Gordin ..... F21V 14/04

**FOREIGN PATENT DOCUMENTS**

IN 230185-0001 \* 3/2011

**OTHER PUBLICATIONS**

Light-Structure System a Complete Outdoor Solution <http://www.musco.com/light-structure-system/> Dec. 2016 (Year: 2016).\*

(Continued)

*Primary Examiner* — Leanne Was-Englehart

(74) *Attorney, Agent, or Firm* — Jessica R. Boer

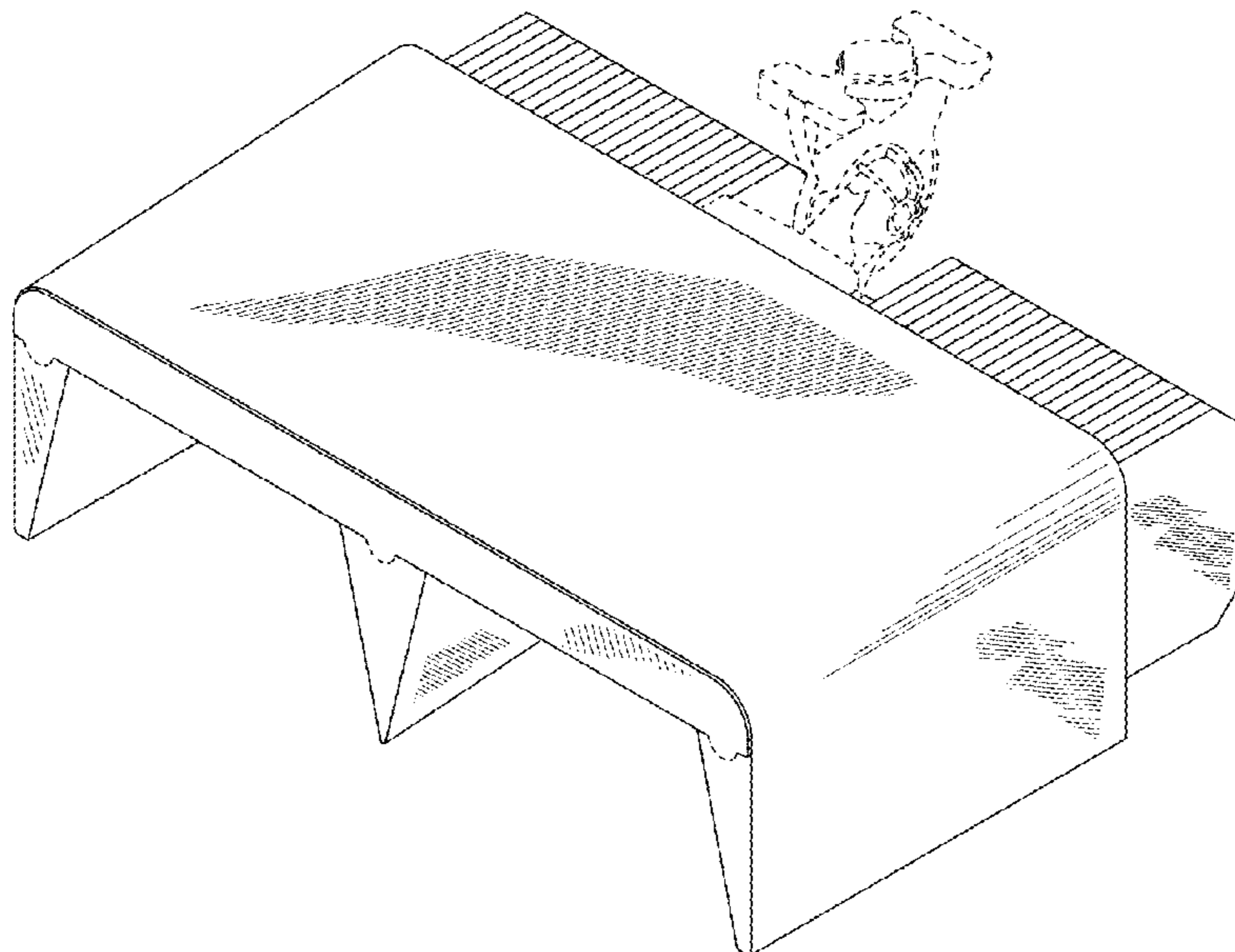
(57) **CLAIM**

The ornamental design for a lighting fixture with visor, as shown and described.

**DESCRIPTION**

FIG. 1 is a top front perspective view of the lighting fixture with visor;  
FIG. 2 is a bottom front perspective view of the lighting fixture with visor;  
FIG. 3 is a front elevation of FIG. 1;  
FIG. 4 is a back elevation of FIG. 1;  
FIG. 5 is a right side elevation of FIG. 1;  
FIG. 6 is a left side elevation of FIG. 1;  
FIG. 7 is a top plan view of FIG. 1; and,  
FIG. 8 is a bottom plan view of FIG. 1.  
The broken lines shown in the drawings illustrate unclaimed portions of the lighting fixture with visor, and form no part of the claimed design.

**1 Claim, 8 Drawing Sheets**



(56)

**References Cited**

OTHER PUBLICATIONS

Gordin, Myron, unpublished Pending Utility U.S. Appl. No. 62/457,641, Apparatus, Method, and System for Providing Extreme Cutoff and/or Glare Control in LED Lighting Fixtures, filed Feb. 10, 2017.  
Gordin, Myron et al., unpublished Pending Design U.S. Appl. No. 29/627,868, Adjustable Lighting Fixture, filed Nov. 30, 2017.  
Gordin, Myron et al., unpublished Pending Design U.S. Appl. No. 29/627,873, Adjustable Lighting Fixture, filed Nov. 30, 2017.  
Gordin, Myron et al., unpublished Pending Design U.S. Appl. No. 29/627,901, Adjustable Lighting Fixture, filed Nov. 30, 2017.

\* cited by examiner

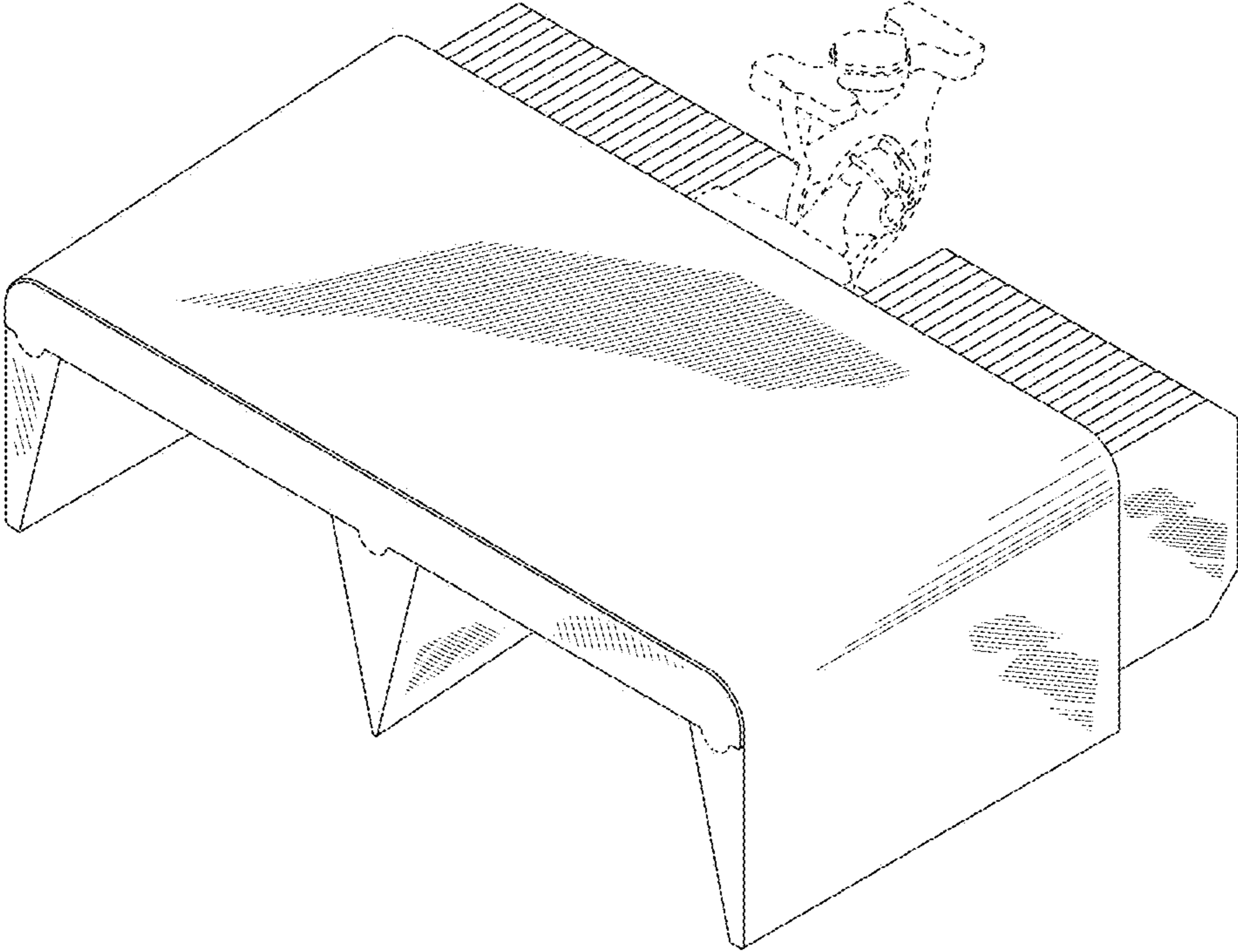


Fig 1

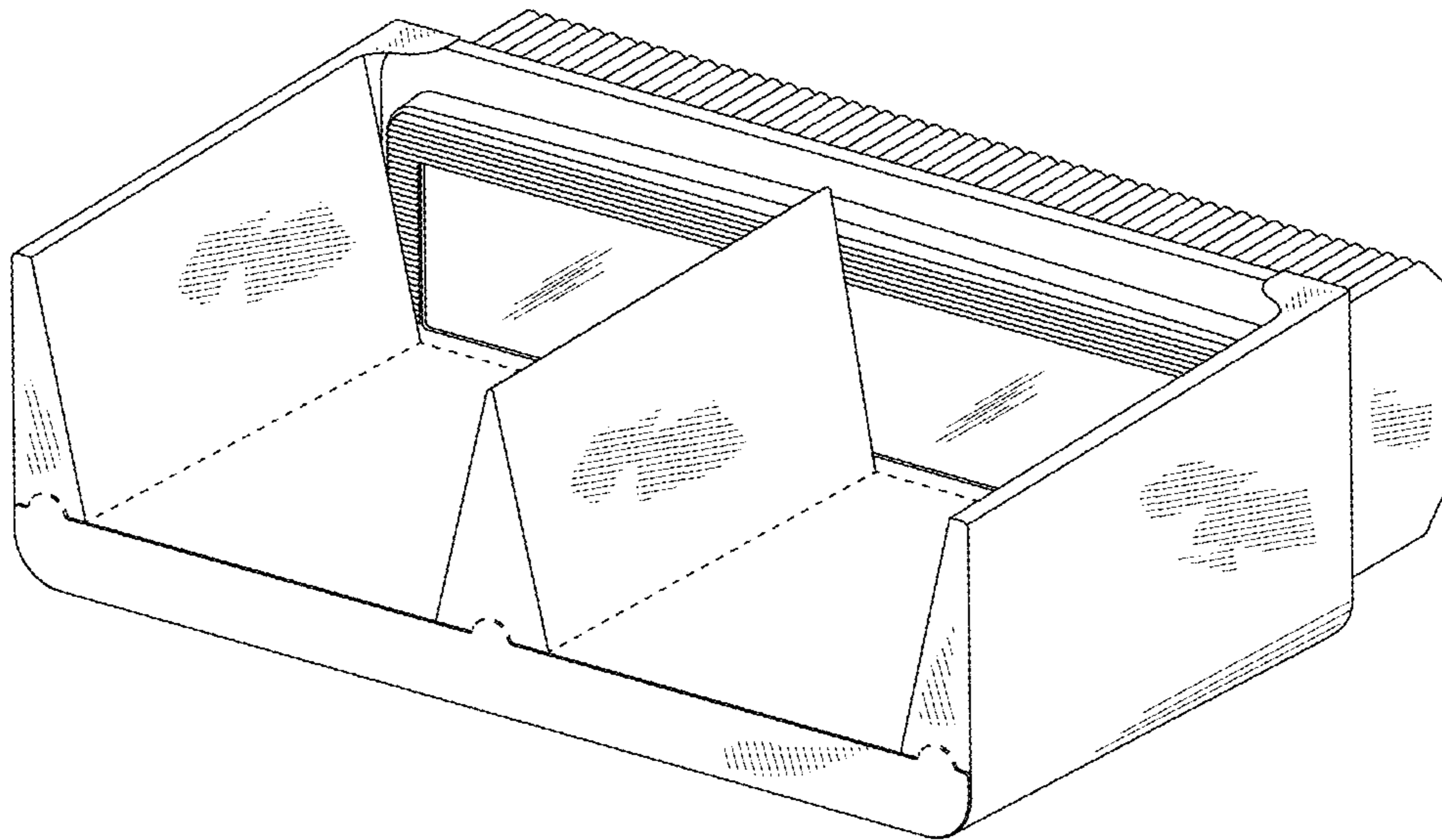


Fig 2

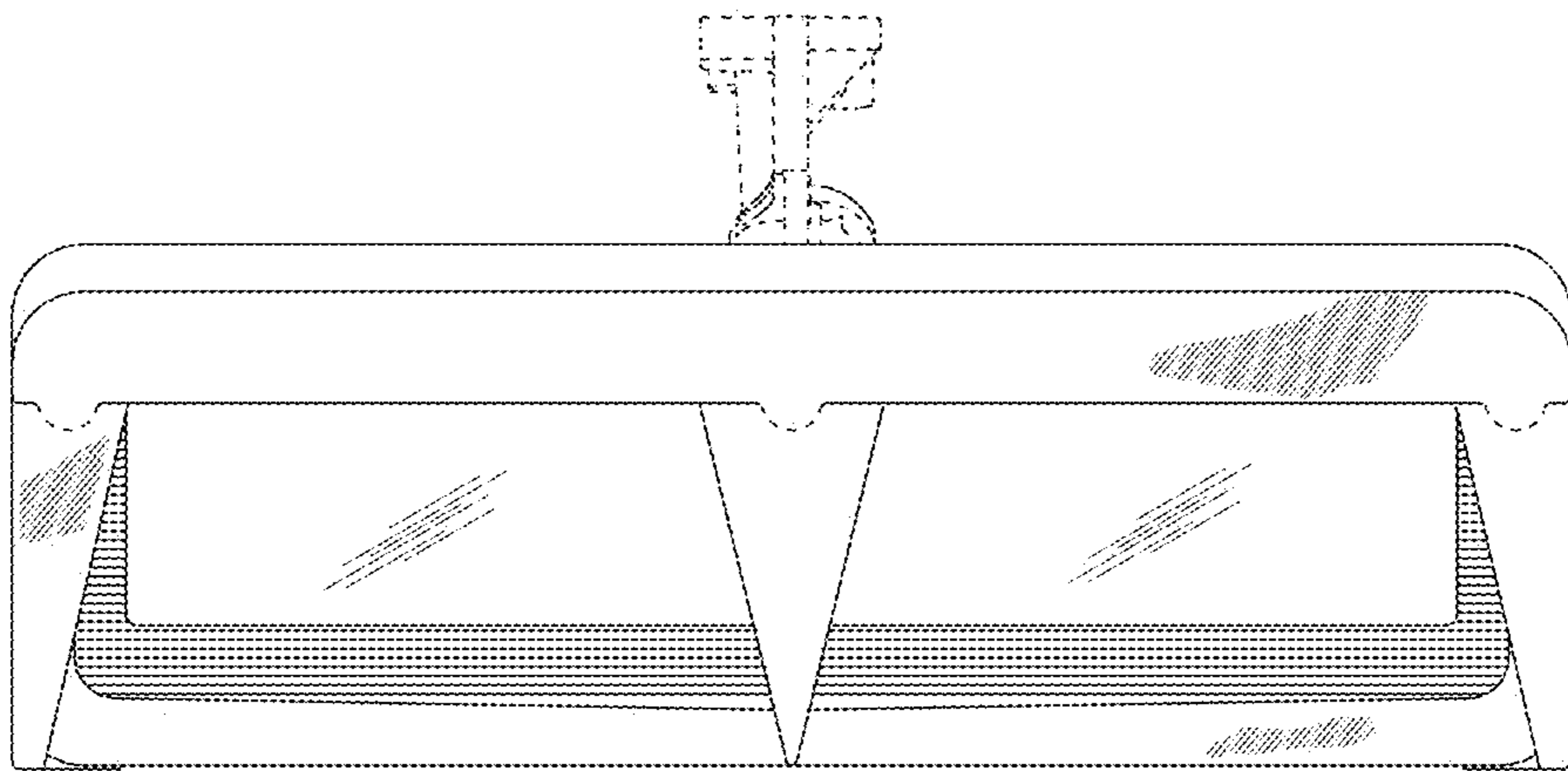


Fig 3

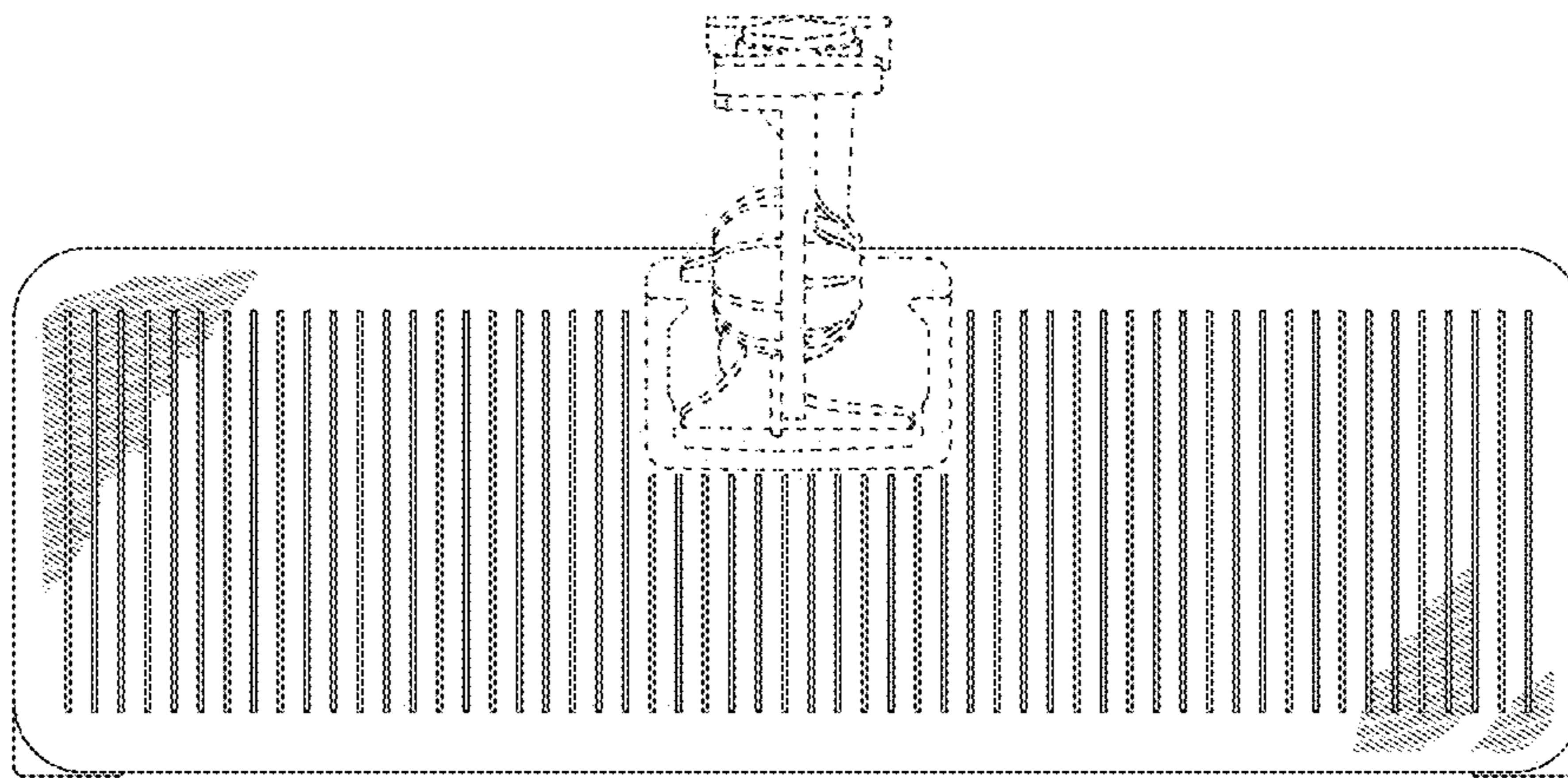


Fig 4



Fig 5

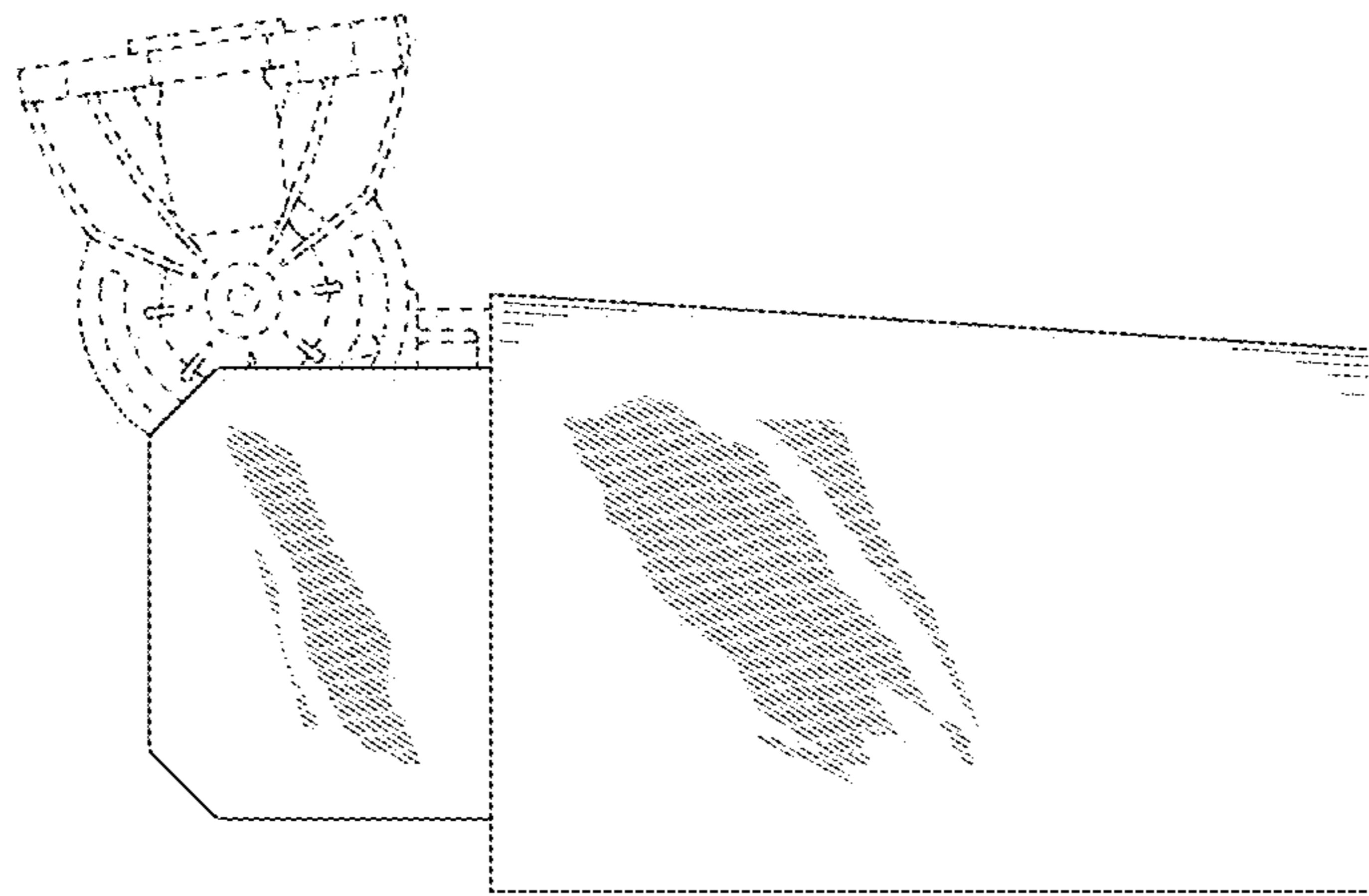


Fig 6



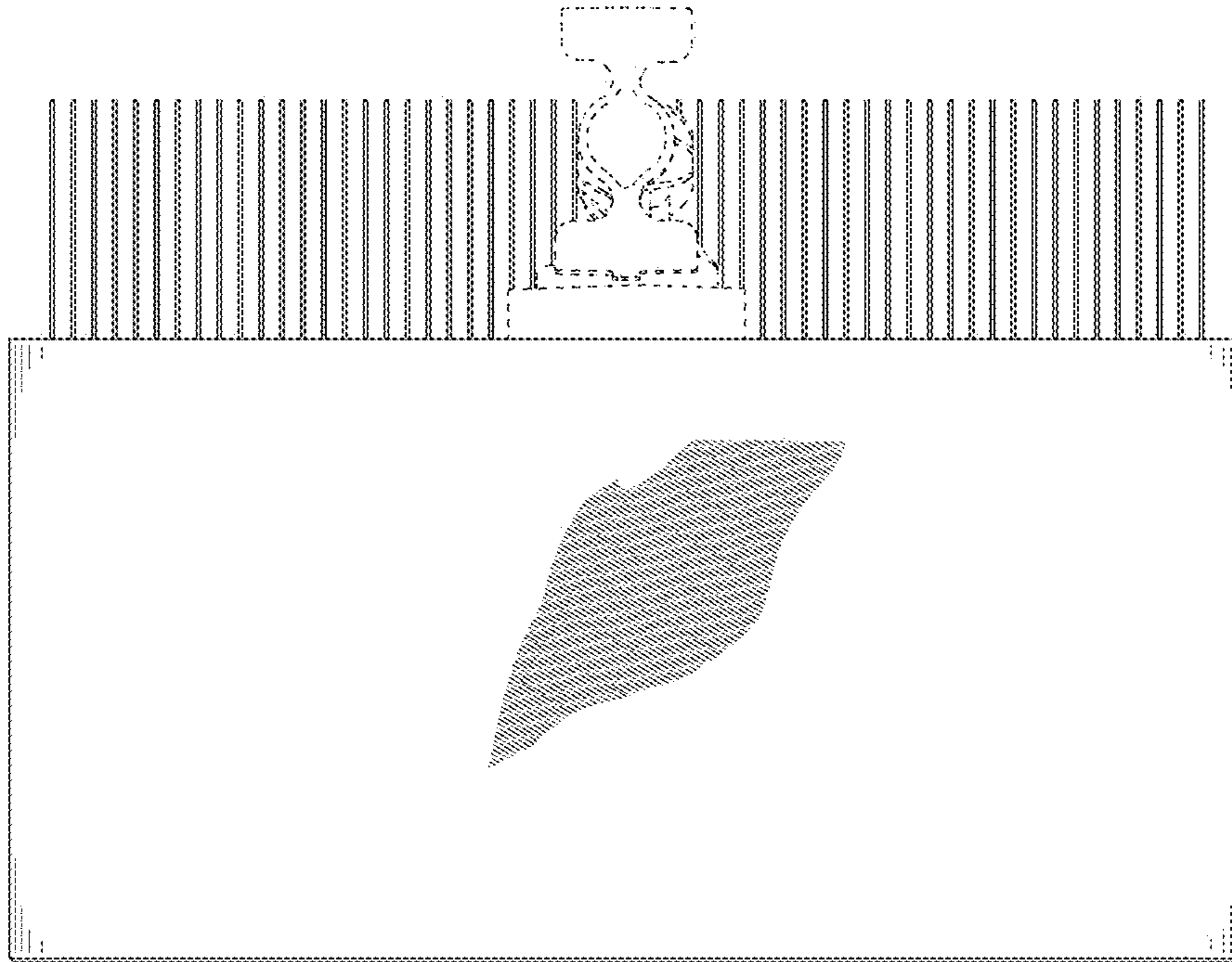


Fig 7

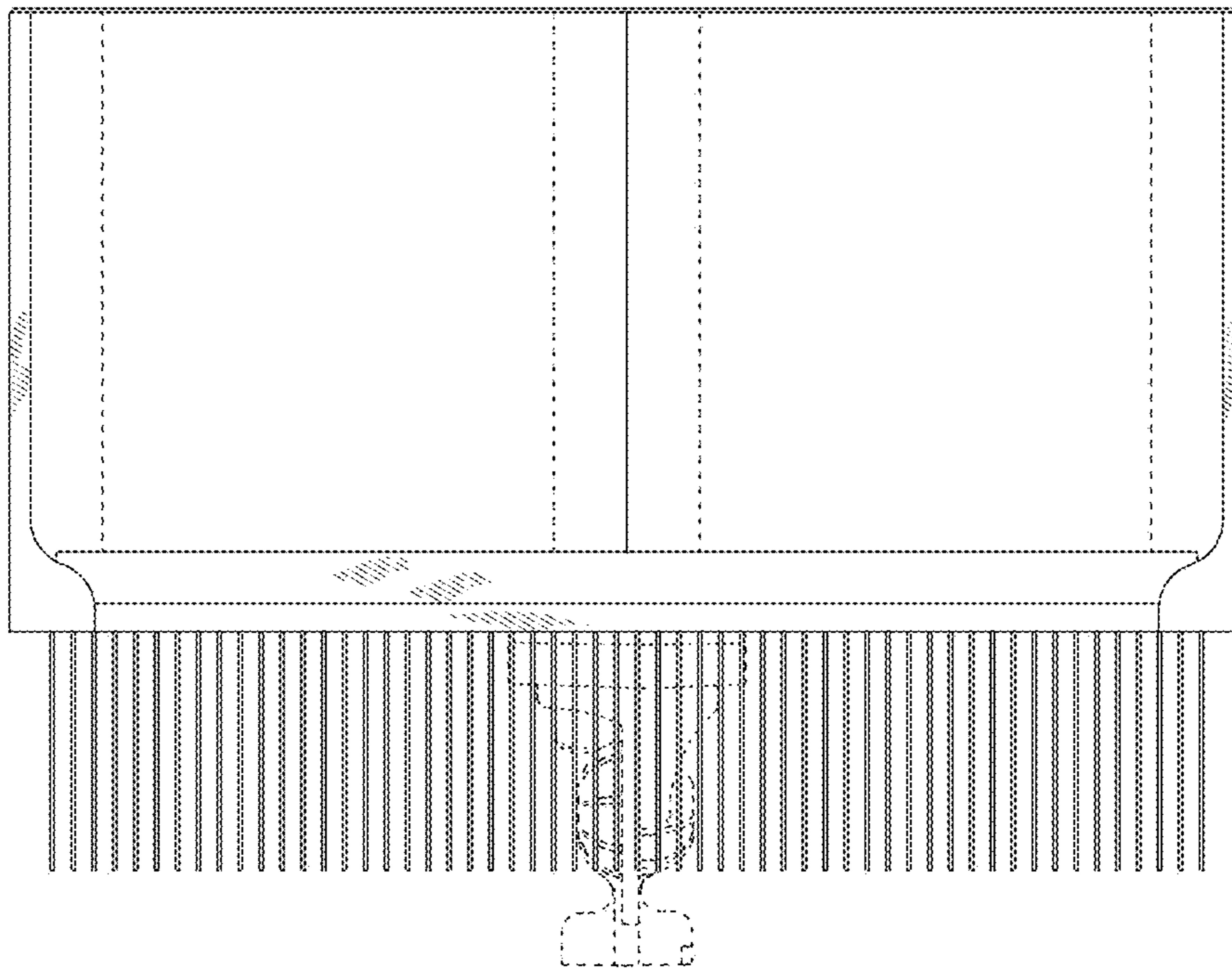


Fig 8