



US00D872927S

(12) **United States Design Patent** (10) **Patent No.:** **US D872,927 S**
Gordin et al. (45) **Date of Patent:** **** Jan. 14, 2020**

(54) **LIGHTING FIXTURE WITH VISOR**

(71) Applicant: **Musco Corporation**, Oskaloosa, IA (US)

(72) Inventors: **Myron Gordin**, Oskaloosa, IA (US); **Joel D. DeBoef**, New Sharon, IA (US); **Steven T. Heaton**, Oskaloosa, IA (US); **Kenneth G. Lewis, Jr.**, New Sharon, IA (US); **Chris P. Lickiss**, Newton, IA (US); **Luke C. McKee**, Oskaloosa, IA (US)

(73) Assignee: **Musco Corporation**, Oskaloosa, IA (US)

(**) Term: **15 Years**

(21) Appl. No.: **29/637,422**

(22) Filed: **Feb. 19, 2018**

(51) **LOC (12) Cl.** **26-03**

(52) **U.S. Cl.**
USPC **D26/118; D26/63**

(58) **Field of Classification Search**
USPC D26/60-66, 72, 85, 87, 92, 118
CPC . F21K 9/00; F21V 5/007; F21V 7/005; F21V 7/05; F21V 7/0083; F21V 11/04; F21V 11/14; F21V 15/01; F21V 19/001; F21V 21/002; F21V 21/06; F21V 21/0885; F21V 21/145; F21V 21/30; F21V 33/0024
See application file for complete search history.

(56) **References Cited**

U.S. PATENT DOCUMENTS

D391,382 S * 2/1998 Rahn D26/63
D411,025 S * 6/1999 Rahn D26/63
D678,596 S * 3/2013 Bryant D26/118
D714,992 S * 10/2014 Bryant D26/118

D747,533 S * 1/2016 Bryant D26/118
D757,991 S * 5/2016 Intelisano D26/118
D793,606 S * 8/2017 Bryant D26/118
D841,854 S * 2/2019 Gordin D26/63
D841,855 S * 2/2019 Gordin D26/63
D841,856 S * 2/2019 Gordin D26/63
2018/0347787 A1* 12/2018 Gordin F21V 14/04

FOREIGN PATENT DOCUMENTS

IN 230185-0001 * 3/2011

OTHER PUBLICATIONS

Light-Structure System A Complete Outdoor Solution <http://www.musco.com/light-structure-system/> Dec. 2016 (Year: 2016).*

(Continued)

Primary Examiner — Leanne Was-Englehart

(74) *Attorney, Agent, or Firm* — Jessica R. Boer

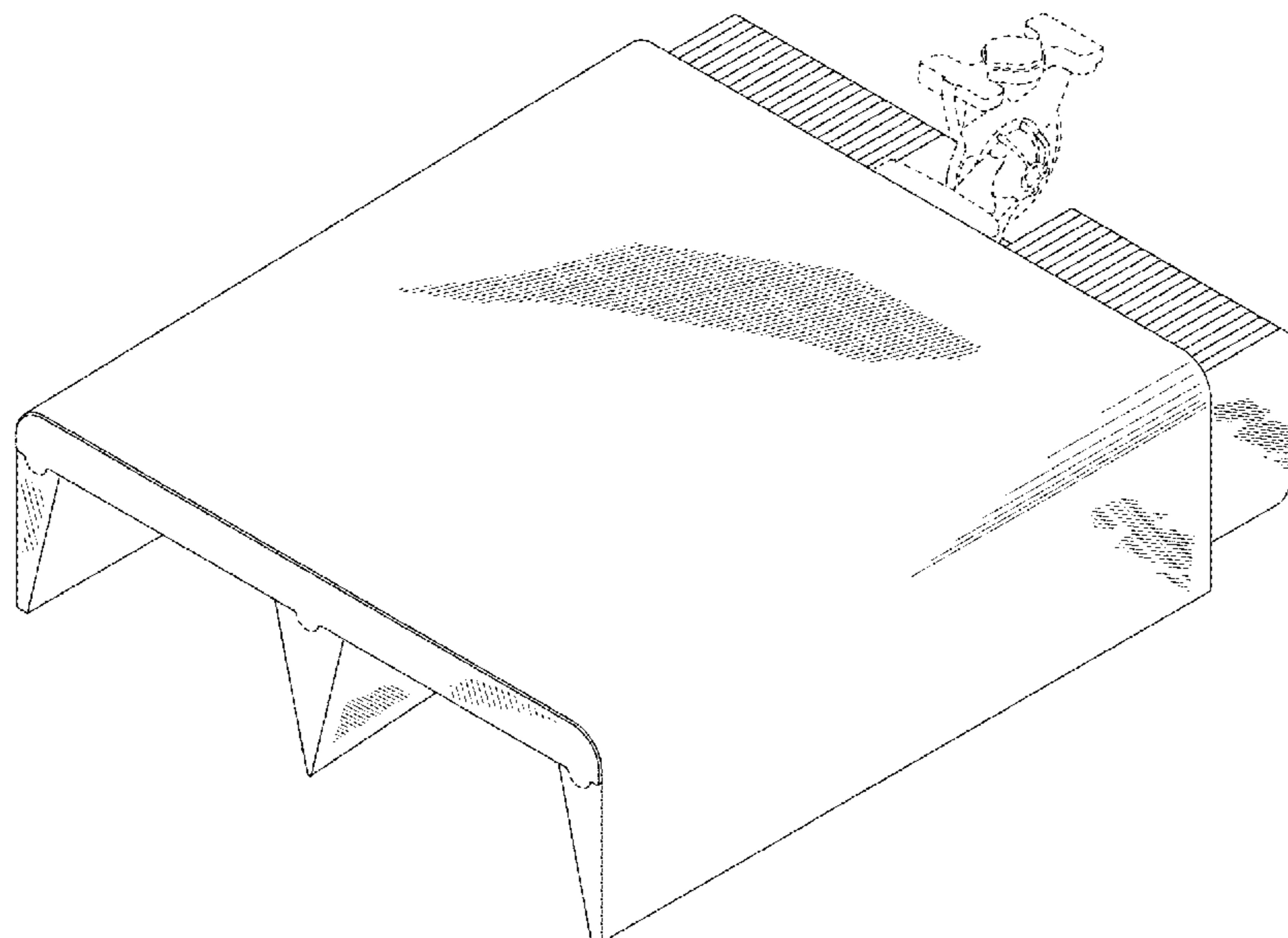
(57) **CLAIM**

The ornamental design for a lighting fixture with visor, as shown and described.

DESCRIPTION

FIG. 1 is a top front perspective view of the lighting fixture with visor;
FIG. 2 is a bottom front perspective view of the lighting fixture with visor;
FIG. 3 is a front elevation of FIG. 1;
FIG. 4 is a back elevation of FIG. 1;
FIG. 5 is a right side elevation of FIG. 1;
FIG. 6 is a left side elevation of FIG. 1;
FIG. 7 is a top plan view of FIG. 1; and,
FIG. 8 is a bottom plan view of FIG. 1.
The broken lines shown in the drawings illustrate unclaimed portions of the lighting fixture with visor, and form no part of the claimed design.

1 Claim, 8 Drawing Sheets



(56)

References Cited

OTHER PUBLICATIONS

Gordin, Myron, unpublished Pending Utility U.S. Appl. No. 62/457,641, Apparatus, Method, and System for Provising Extreme Cutoff and/or Glare Control in LED Lighting Fixtures, filed Feb. 10, 2017.
Gordin, Myron et al., unpublished Pending Design U.S. Appl. No. 29/627,868, Adjustable Lighting Fixture, filed Nov. 30, 2017.
Gordin, Myron et al., unpublished Pending Design U.S. Appl. No. 29/627,873, Adjustable Lighting Fixture, filed Nov. 30, 2017.
Gordin, Myron et al., unpublished Pending Design U.S. Appl. No. 29/627,901, Adjustable Lighting Fixture, filed Nov. 30, 2017.

* cited by examiner

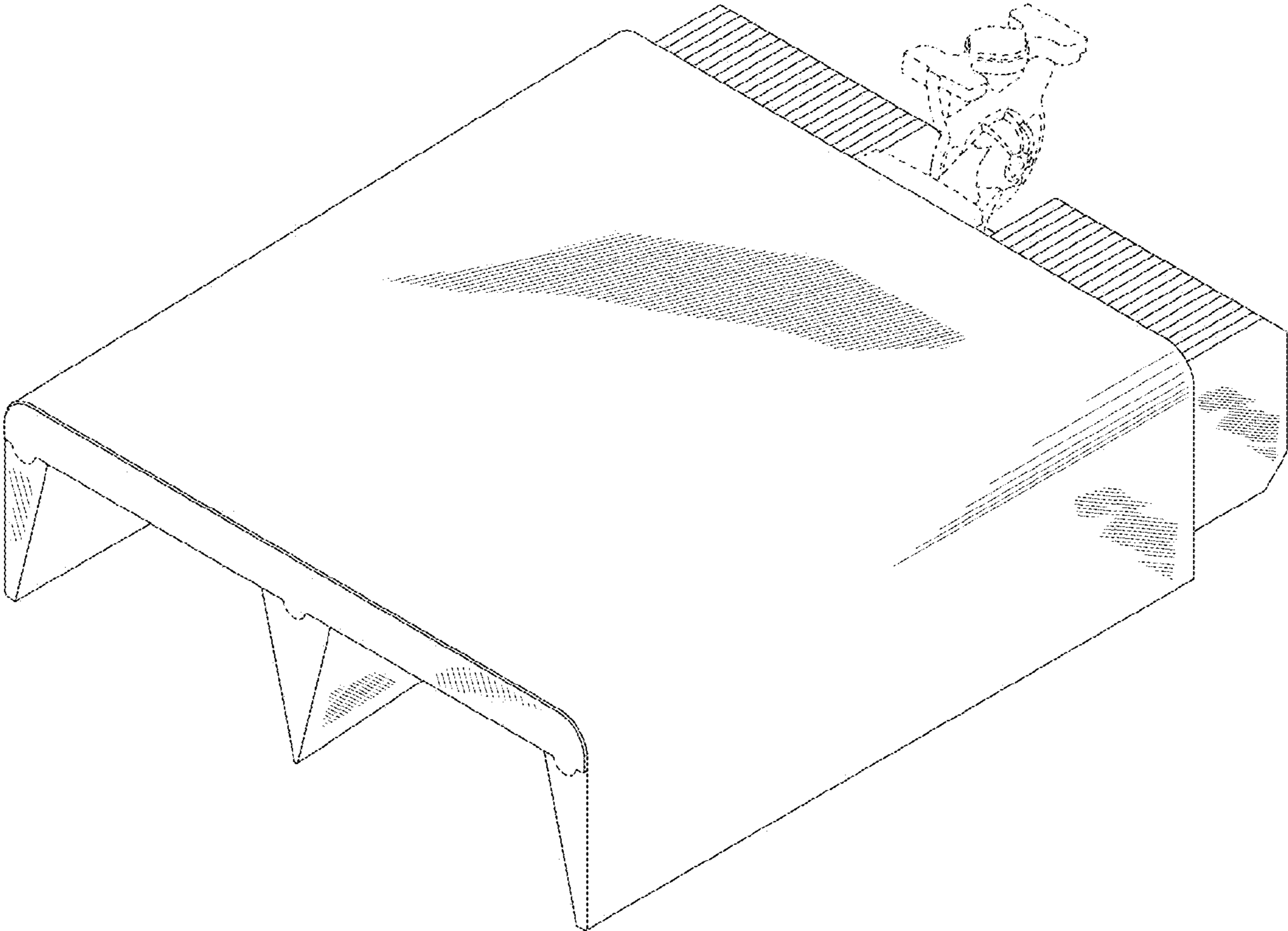


Fig 1

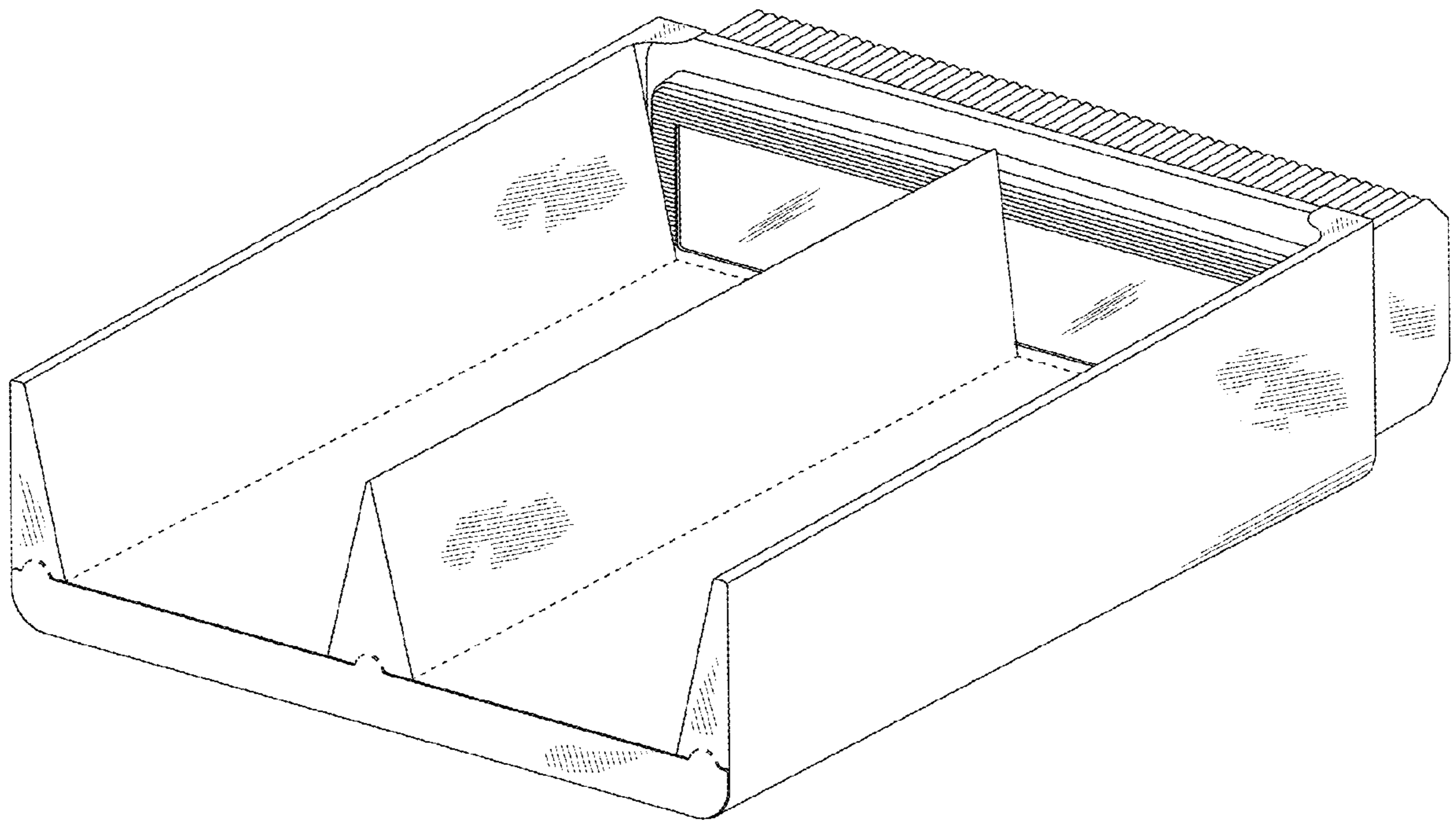


Fig 2

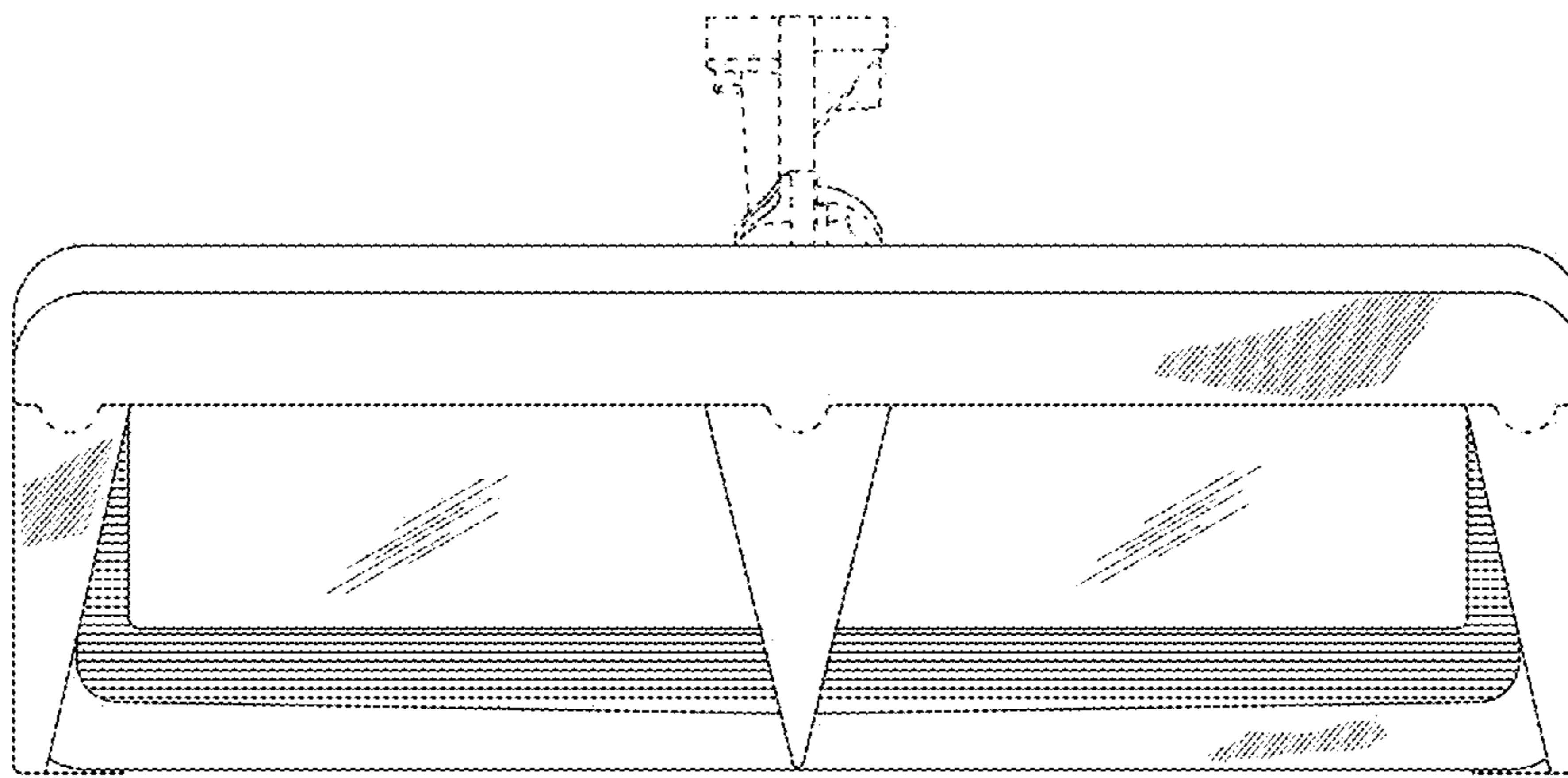


Fig 3

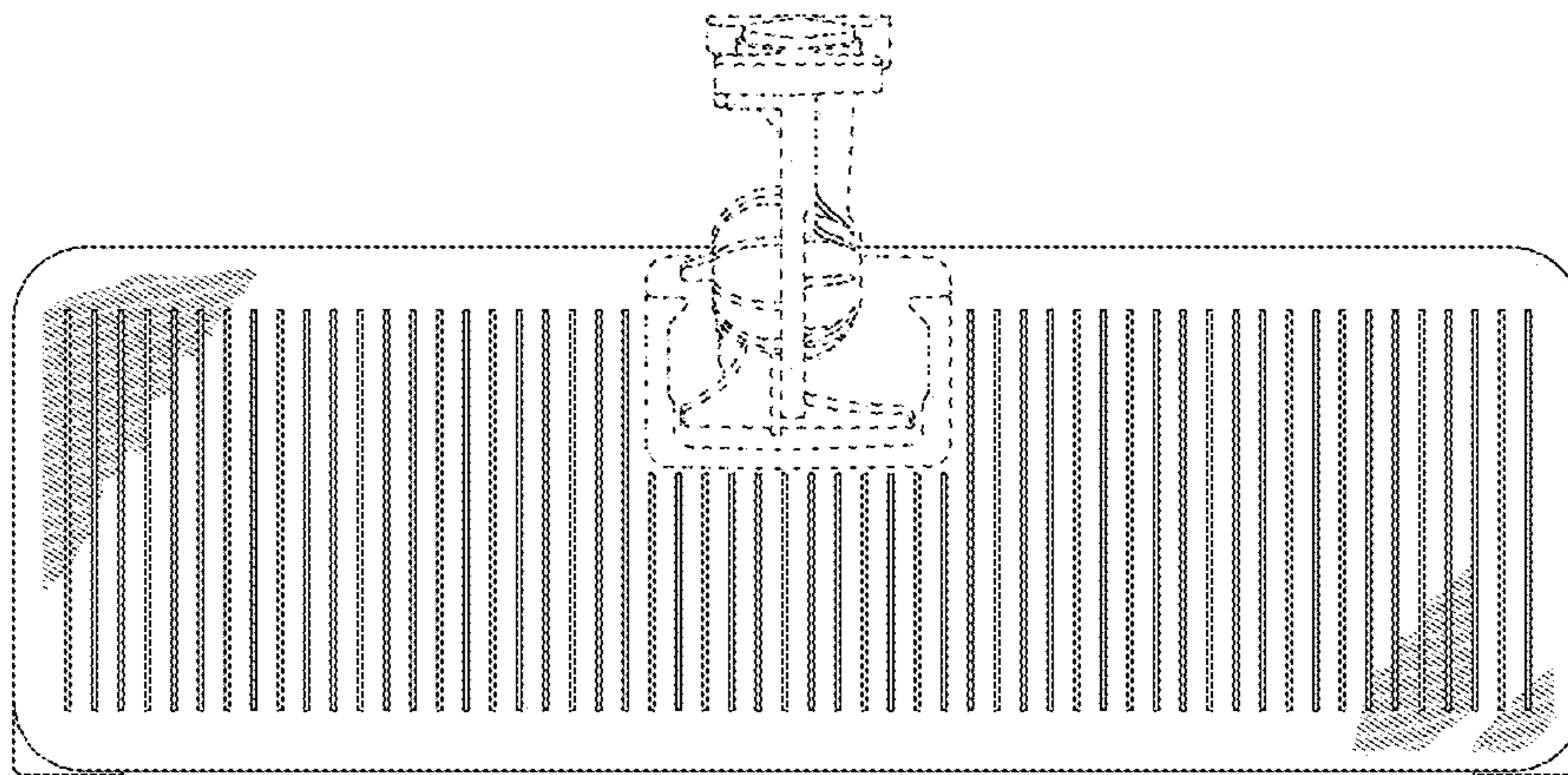


Fig 4

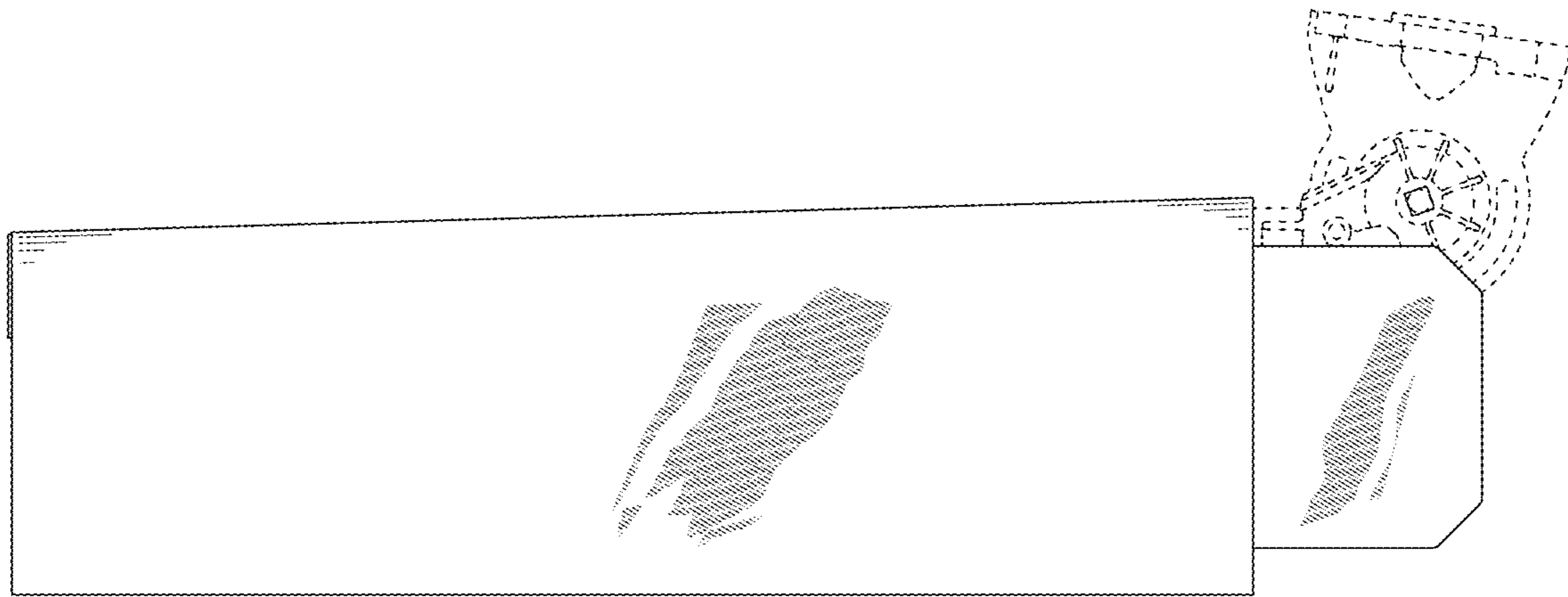


Fig 5

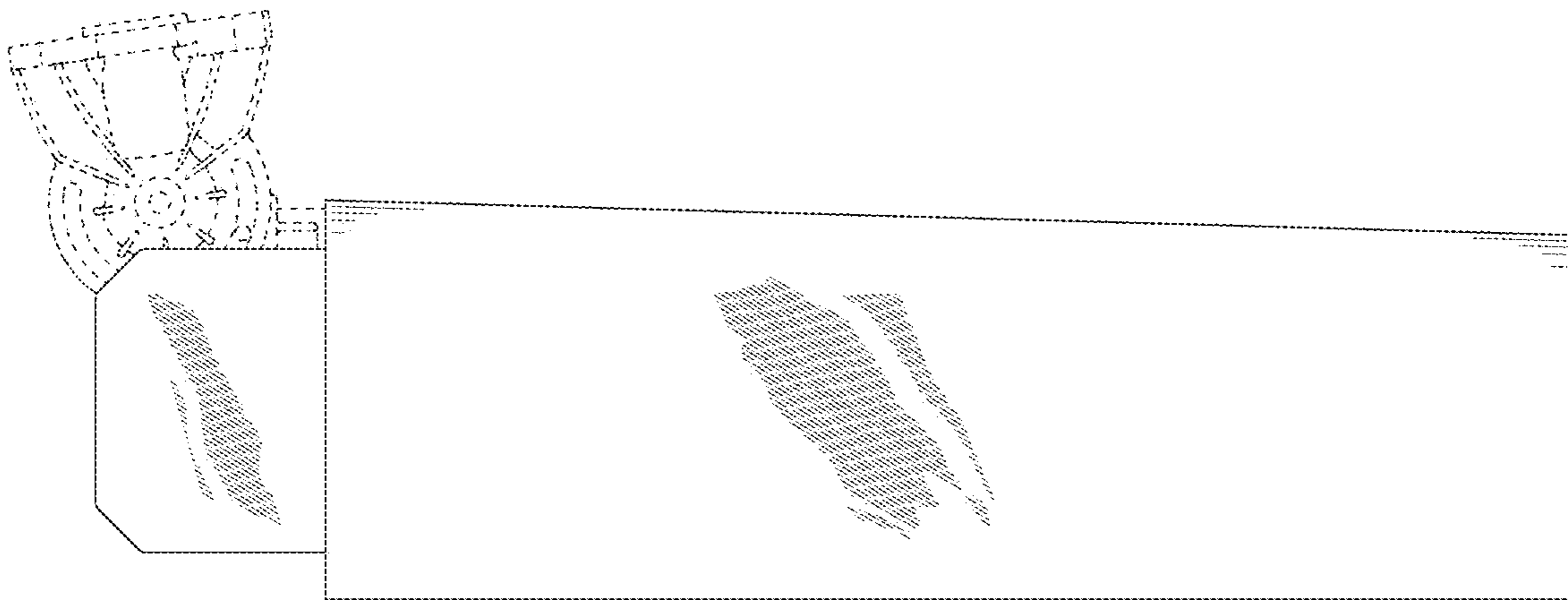


Fig 6

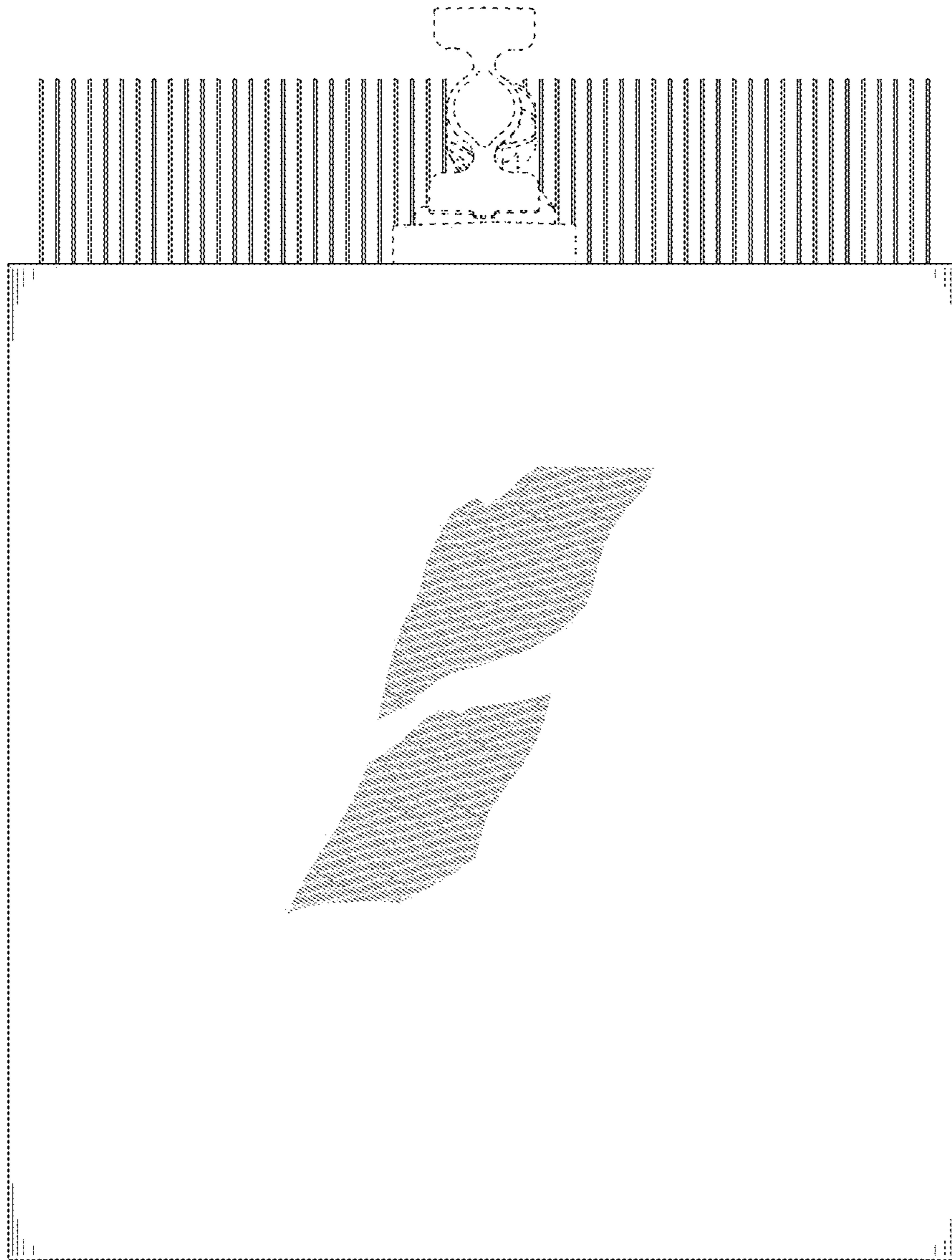


Fig 7

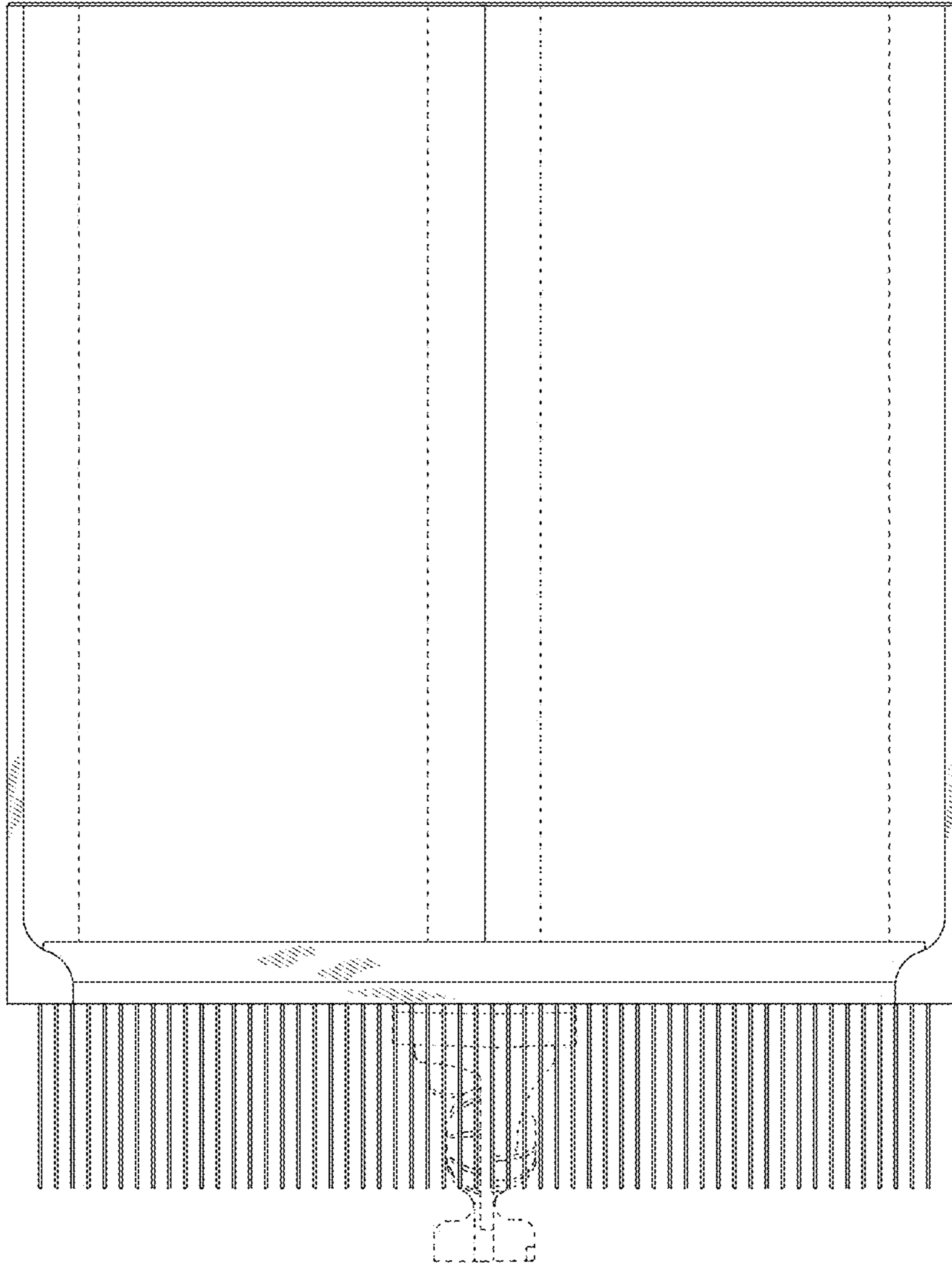


Fig 8