



US00D872925S

(12) **United States Design Patent** (10) **Patent No.:** **US D872,925 S**  
**Xiao** (45) **Date of Patent:** **\*\* Jan. 14, 2020**

(54) **LED TABLE LAMP**

(71) Applicant: **Gang Xiao**, GuangDong (CN)

(72) Inventor: **Gang Xiao**, GuangDong (CN)

(\*\*) Term: **15 Years**

(21) Appl. No.: **29/633,460**

(22) Filed: **Jan. 14, 2018**

(30) **Foreign Application Priority Data**

Sep. 28, 2017 (CN) ..... 2017 3 0467709

(51) **LOC (12) Cl.** ..... **26-03**

(52) **U.S. Cl.**  
USPC ..... **D26/107**

(58) **Field of Classification Search**  
USPC ..... D26/1, 24, 93, 104, 106, 107, 109, 110,  
D26/62  
CPC ..... F21S 6/00; F21S 6/043; F21S 8/08; F21V  
21/00; F21V 21/02; F21W 2121/00;  
F21W 2131/30  
See application file for complete search history.

(56) **References Cited**

**U.S. PATENT DOCUMENTS**

D728,845 S \* 5/2015 Huang ..... D26/107  
D757,342 S \* 5/2016 Cai ..... D26/107

D763,716 S \* 8/2016 Arbore ..... D26/107  
D781,489 S \* 3/2017 Jiao ..... D26/107  
D785,232 S \* 4/2017 Qin ..... D26/107  
D790,750 S \* 6/2017 Xiao ..... D26/107  
D792,015 S \* 7/2017 Xiao ..... D26/106  
D809,187 S \* 1/2018 Dai ..... D26/107  
D810,994 S \* 2/2018 Yang ..... D26/107

\* cited by examiner

*Primary Examiner* — Brian N. Vinson

(74) *Attorney, Agent, or Firm* — Gokalp Bayramoglu

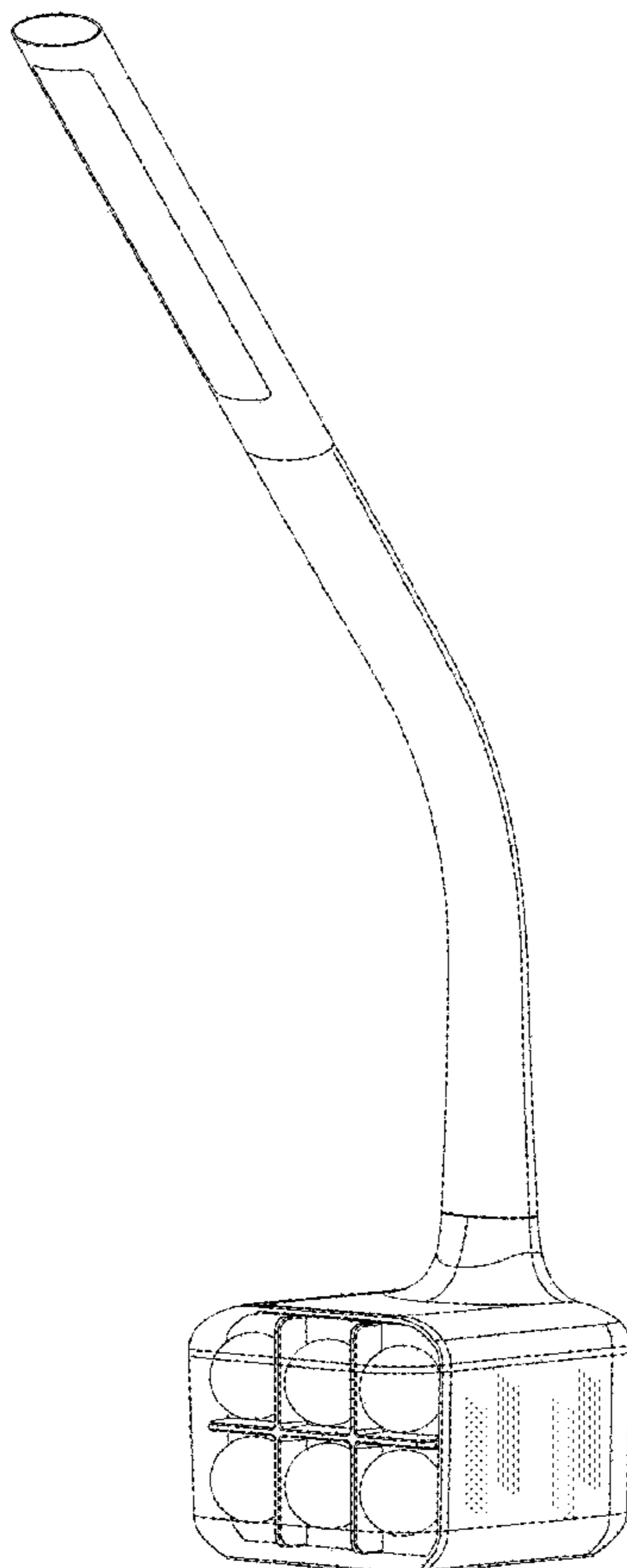
(57) **CLAIM**

The ornamental design for a LED table lamp, as shown and described.

**DESCRIPTION**

FIG. 1 is a front elevational view of a LED table lamp showing my new design;  
FIG. 2 is a rear elevational view thereof;  
FIG. 3 is a left side elevational view thereof;  
FIG. 4 is a right side elevational view thereof;  
FIG. 5 is a top plan view thereof;  
FIG. 6 is a bottom plan view thereof; and,  
FIG. 7 is a perspective view thereof.

**1 Claim, 7 Drawing Sheets**



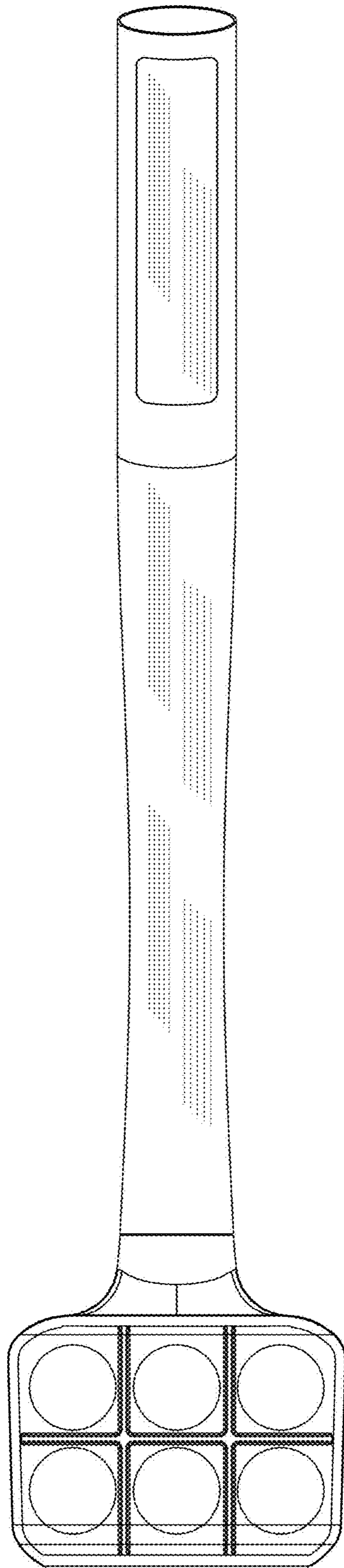


FIG. 1

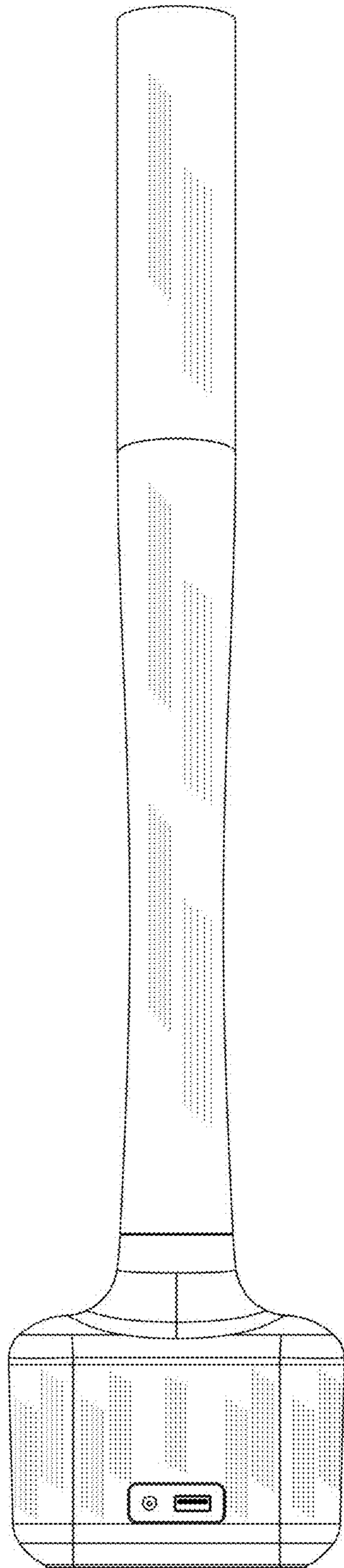


FIG.2

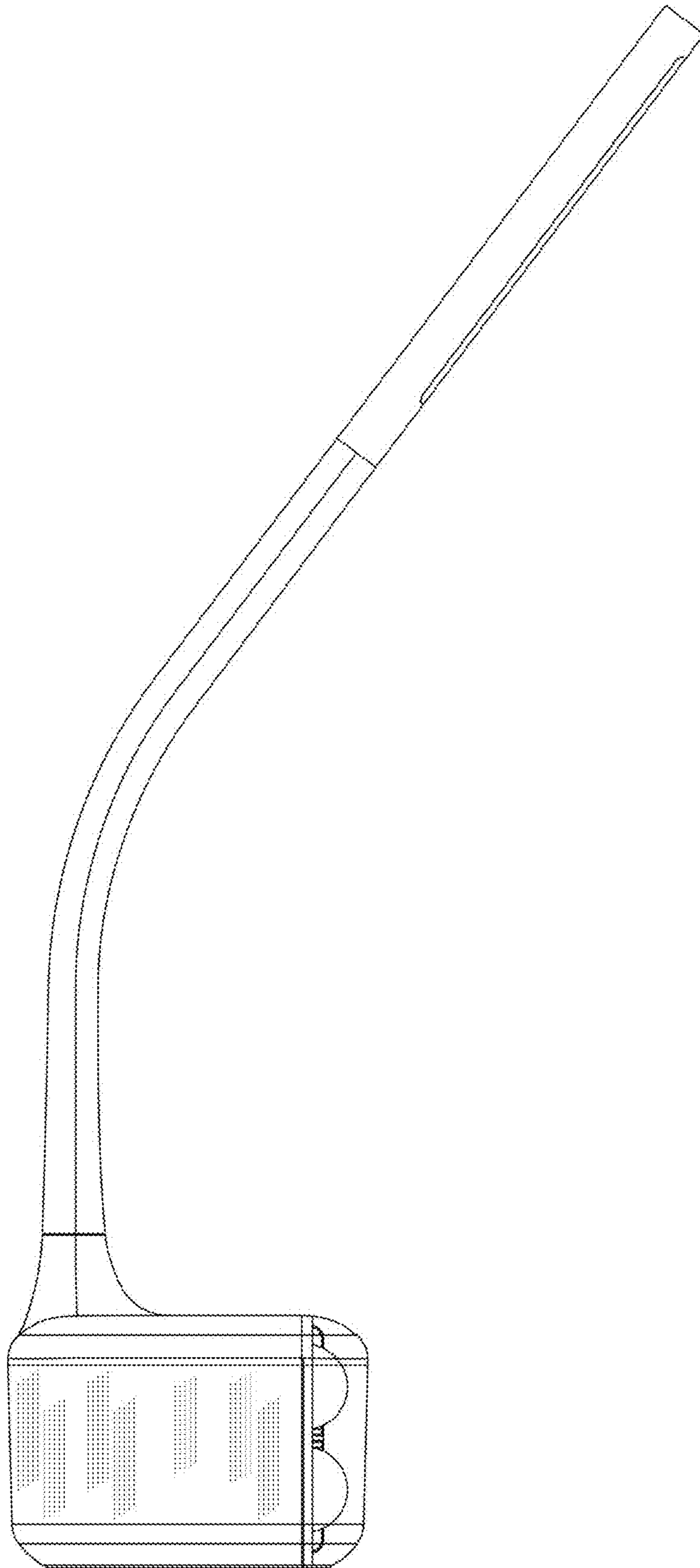


FIG. 3

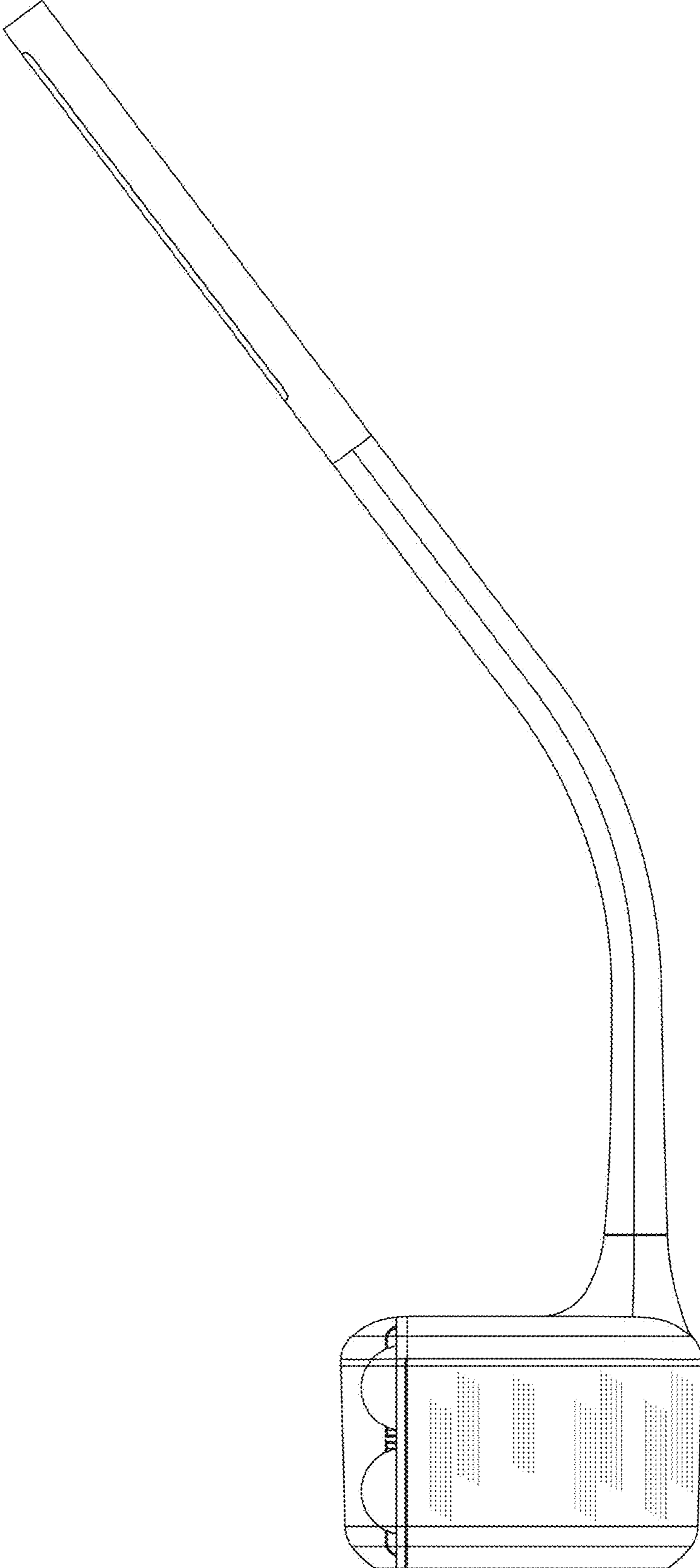


FIG. 4

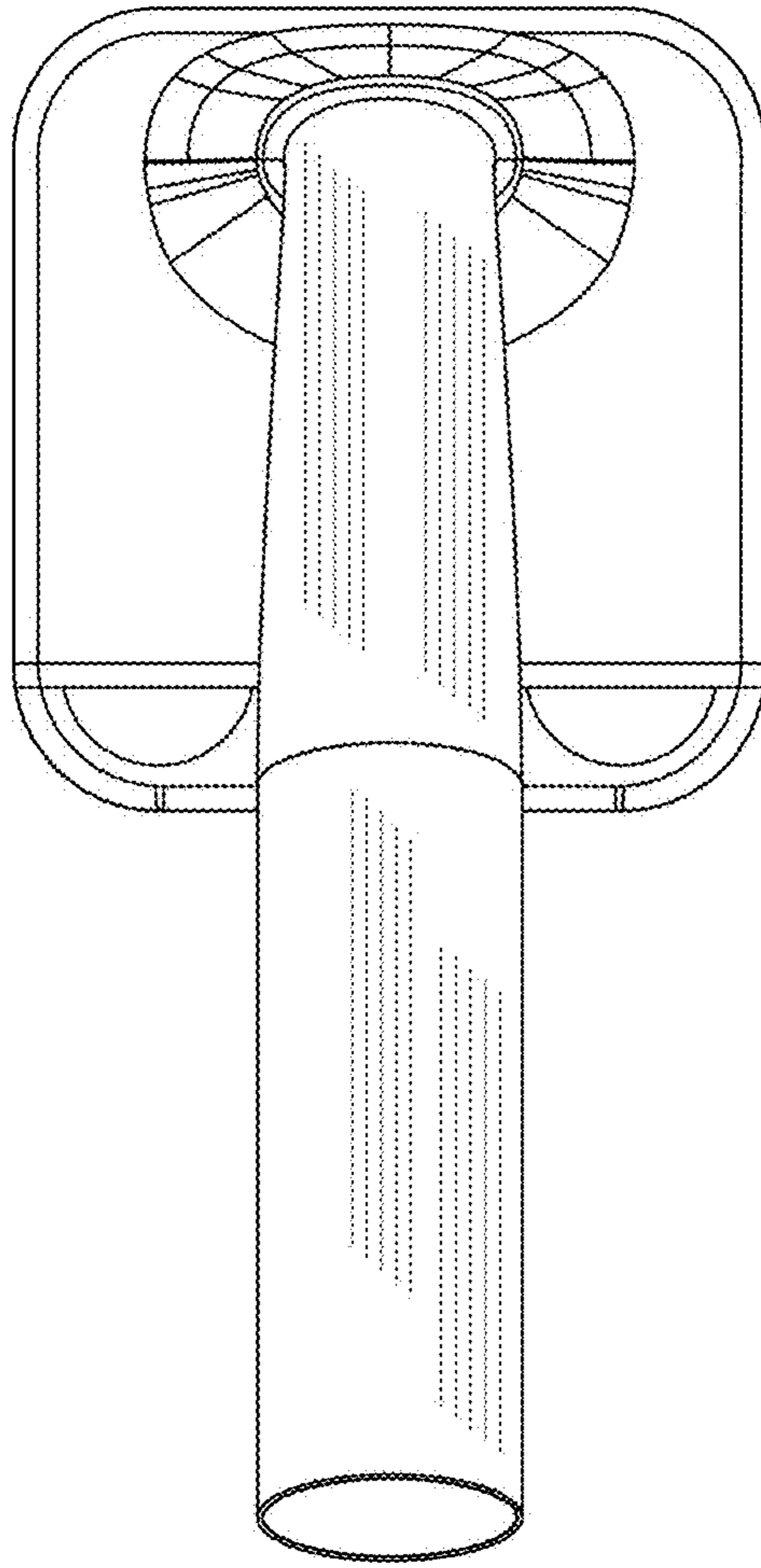


FIG. 5

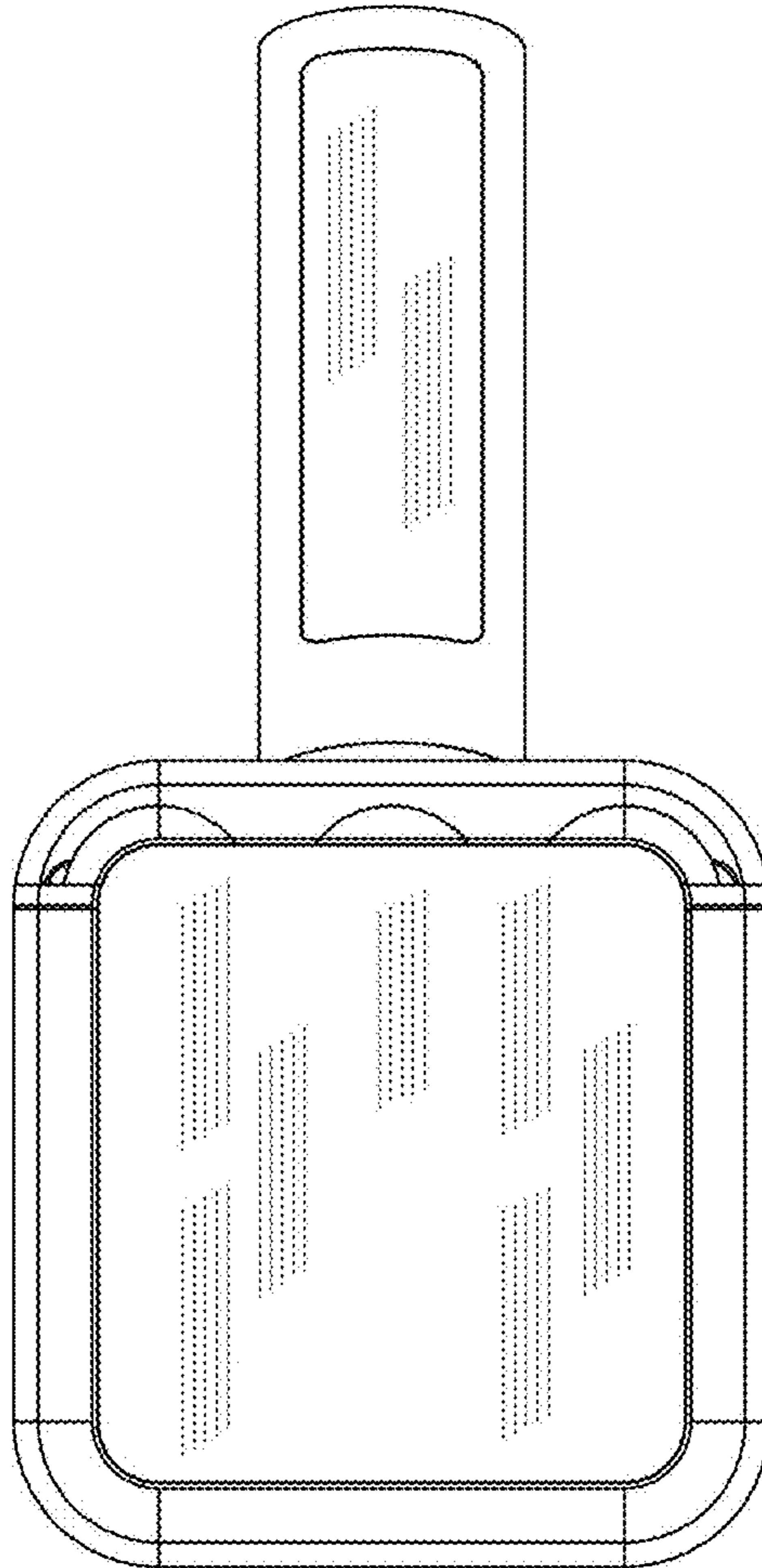


FIG. 6

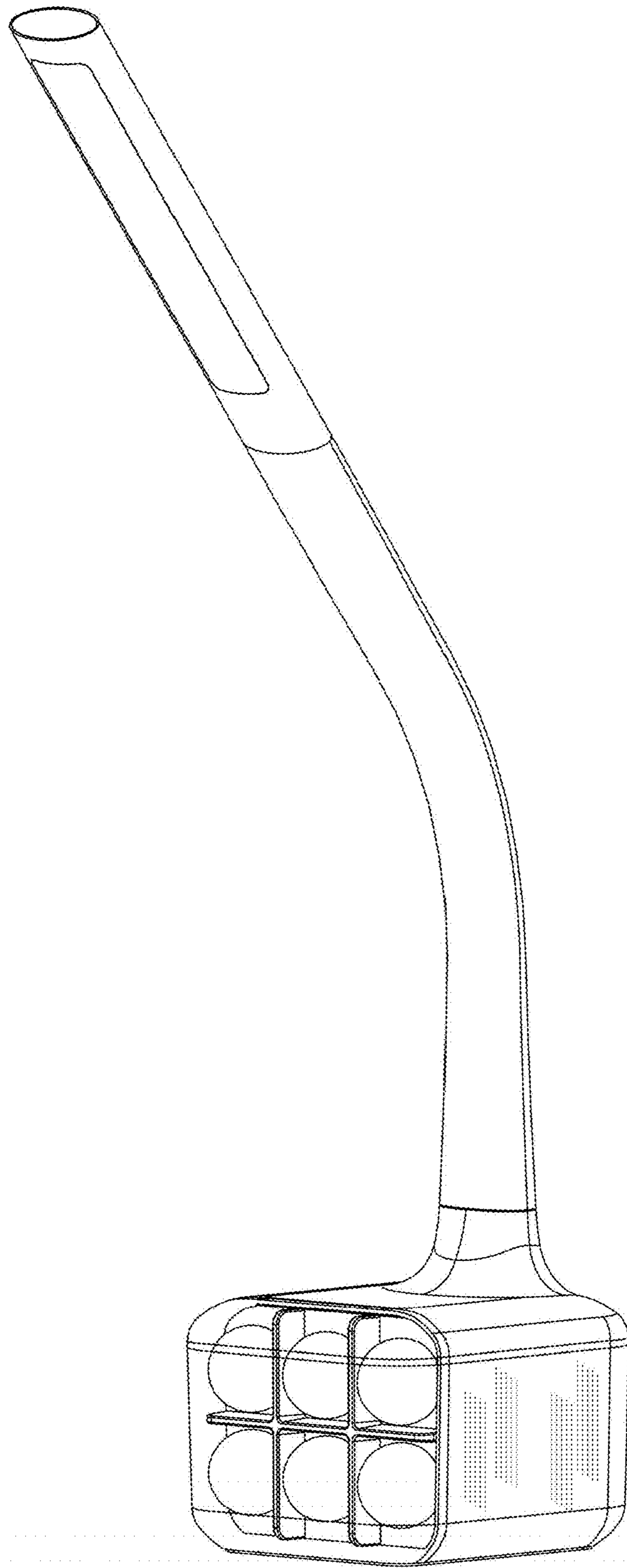


FIG. 7