



US00D872922S

(12) **United States Design Patent**
Deng

(10) **Patent No.:** **US D872,922 S**

(45) **Date of Patent:** **** Jan. 14, 2020**

(54) **EXPLOSION-PROOF LIGHT**

(71) Applicant: **Jinsheng Deng**, Dongguan (CN)

(72) Inventor: **Jinsheng Deng**, Dongguan (CN)

(73) Assignee: **DONGGUAN PAN AMERICAN ELECTRONICS CO., LTD**,
Dongguan, Guangdong (CN)

(**) Term: **15 Years**

(21) Appl. No.: **29/643,676**

(22) Filed: **Apr. 10, 2018**

(51) **LOC (12) Cl.** **26-03**

(52) **U.S. Cl.**
USPC **D26/72**

(58) **Field of Classification Search**
USPC D26/26, 51, 61, 63, 67-72, 76, 80, 81,
D26/85-88, 92, 154; D20/19, 42
CPC F21S 8/032; F21S 8/04; F21S 8/043; F21S
8/06; F21S 9/03; F21S 9/032; F21S
9/035; F21S 9/037; F21W 2131/10;
F21W 2131/103; F21W 2131/107; F21W
2131/109; F21L 4/00; F21V 15/00; F21V
15/01; F21V 15/04; G09F 13/00; G09F
2013/0459

See application file for complete search history.

(56) **References Cited**

U.S. PATENT DOCUMENTS

D619,749 S * 7/2010 Jong D26/71
D625,363 S * 10/2010 Lee D20/42
D671,251 S * 11/2012 Piepgras D26/63

D697,975 S * 1/2014 Yu D20/19
D808,567 S * 1/2018 Goetz-Schaefer D26/76
2006/0225328 A1 * 10/2006 Hasan G09F 13/18
40/570
2010/0107462 A1 * 5/2010 Lee G08B 7/062
40/546
2013/0342342 A1 * 12/2013 Sabre G09F 13/18
340/509
2014/0331533 A1 * 11/2014 Hasan G09F 13/0413
40/570
2015/0049511 A1 * 2/2015 Tarsa G02B 6/0021
362/612

OTHER PUBLICATIONS

HZEX Class 1 Division 1 Exit Sign, Emergency Lights Company, Internet Archive date of Nov. 14, 2016, image retrieved Aug. 21, 2019, available online at <https://web.archive.org/web/20161114083909/https://www.emergencylights.net/product/XPEX-exit-sign-edge-lit-class-1-div-1/> (Year: 2016).*

* cited by examiner

Primary Examiner — Cathron C Brooks

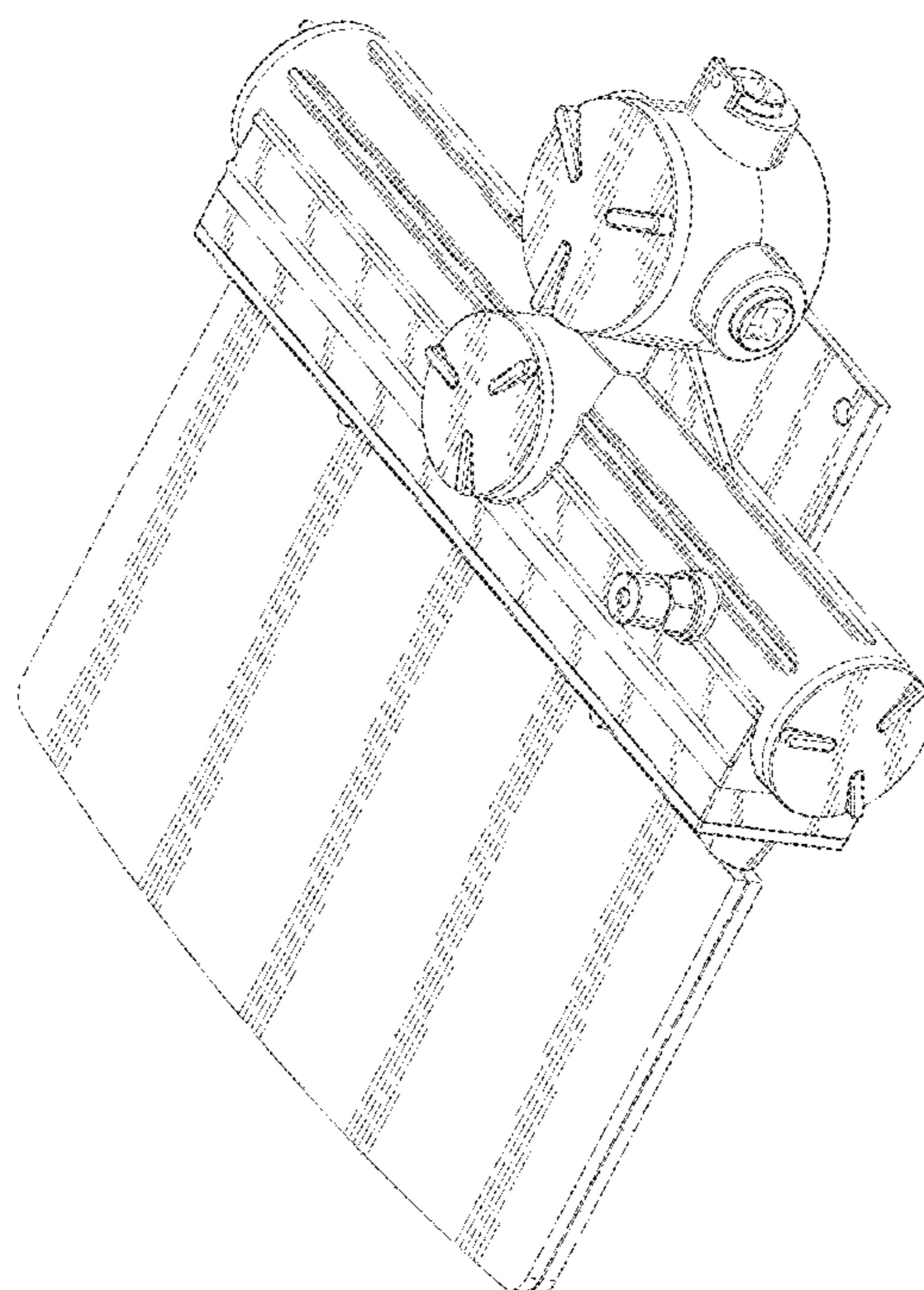
(57) **CLAIM**

The ornamental design for an explosion-proof light, as shown and described.

DESCRIPTION

FIG. 1 is a perspective view of an explosion-proof light showing my new design;
FIG. 2 is a front elevation view thereof;
FIG. 3 is a rear elevation view thereof;
FIG. 4 is a left side elevation view thereof;
FIG. 5 is a right side elevation view thereof;
FIG. 6 is a top plan view thereof; and,
FIG. 7 is a bottom plan view thereof.

1 Claim, 7 Drawing Sheets



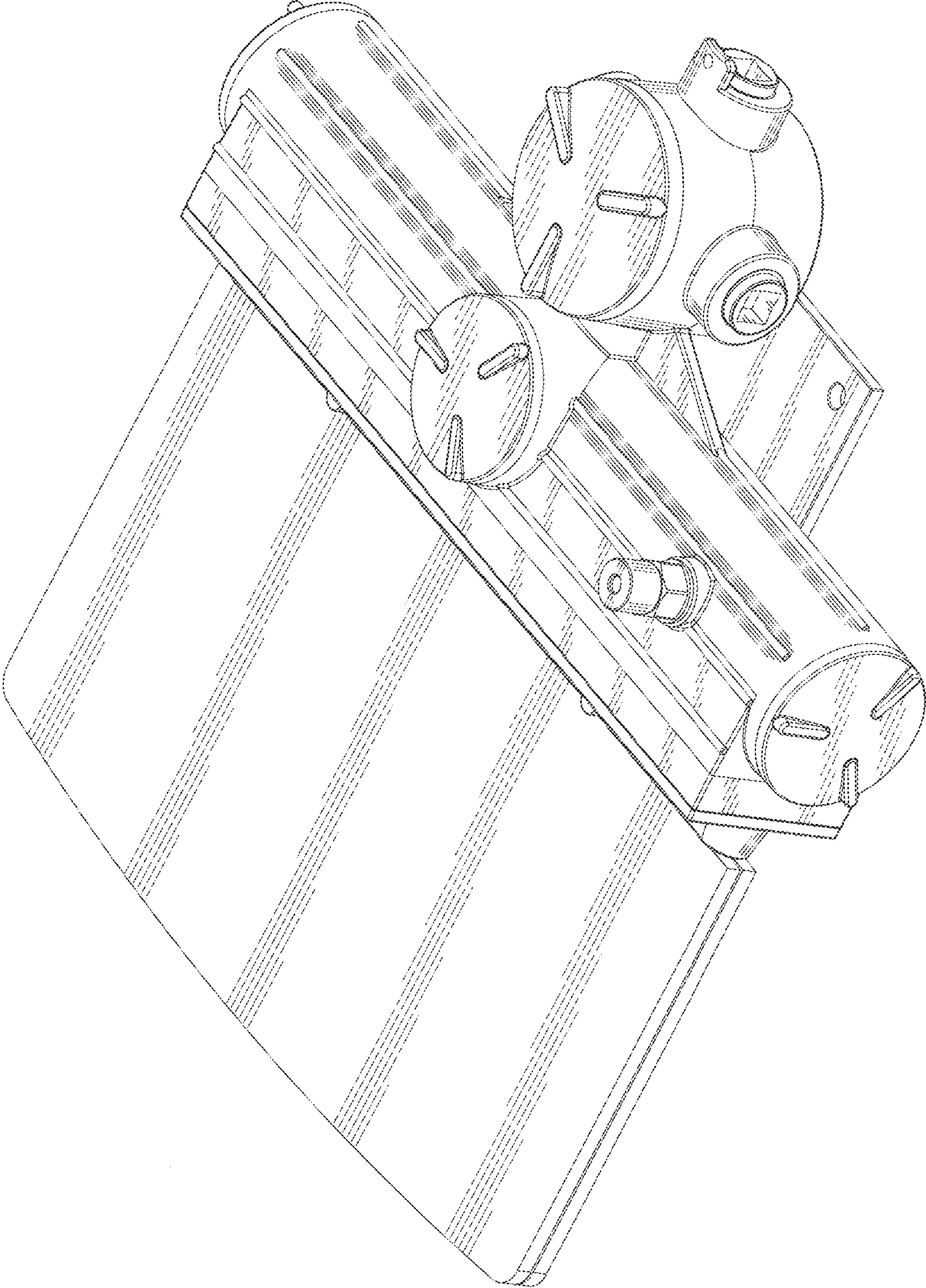


Fig. 1

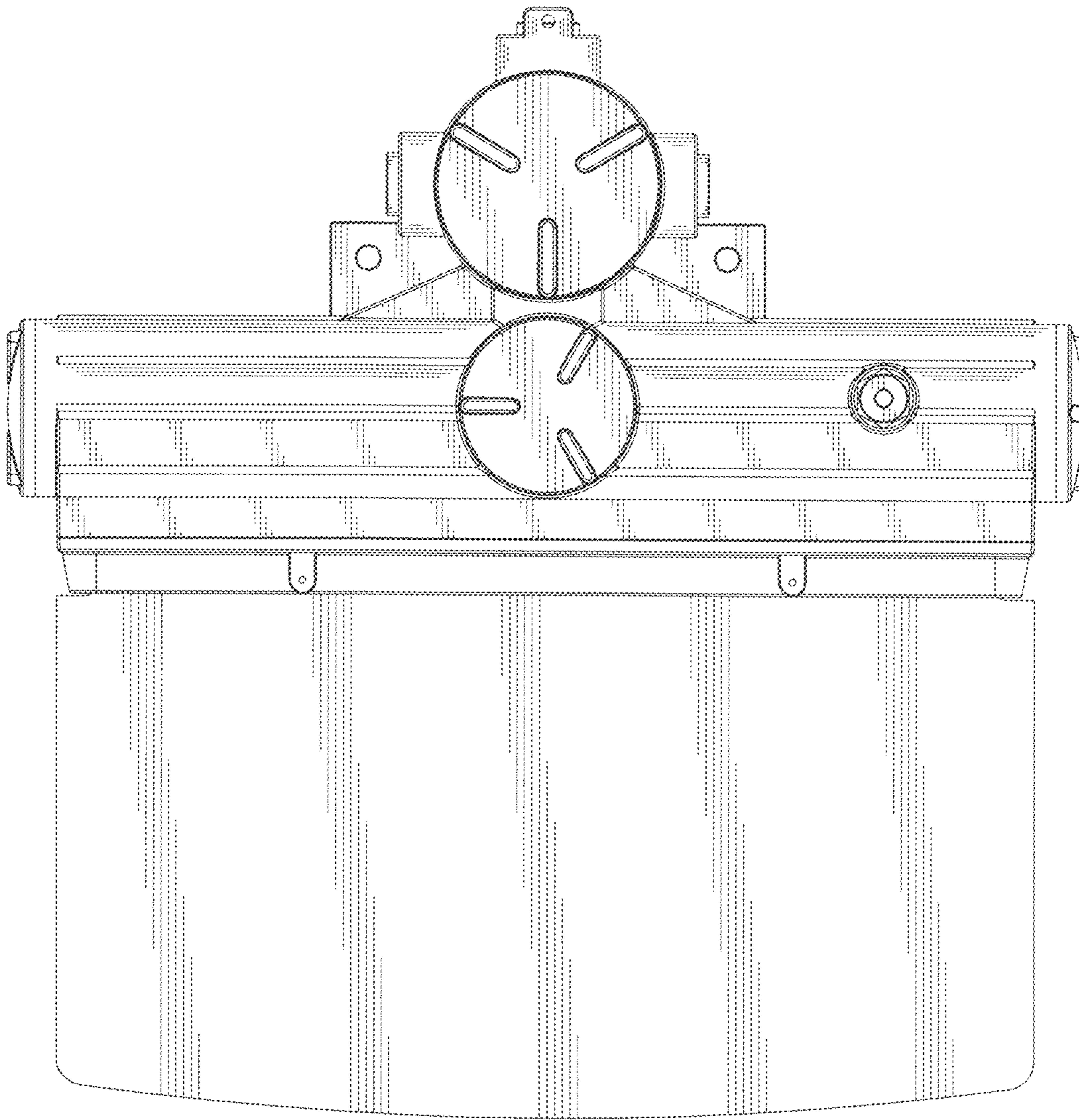


Fig.2

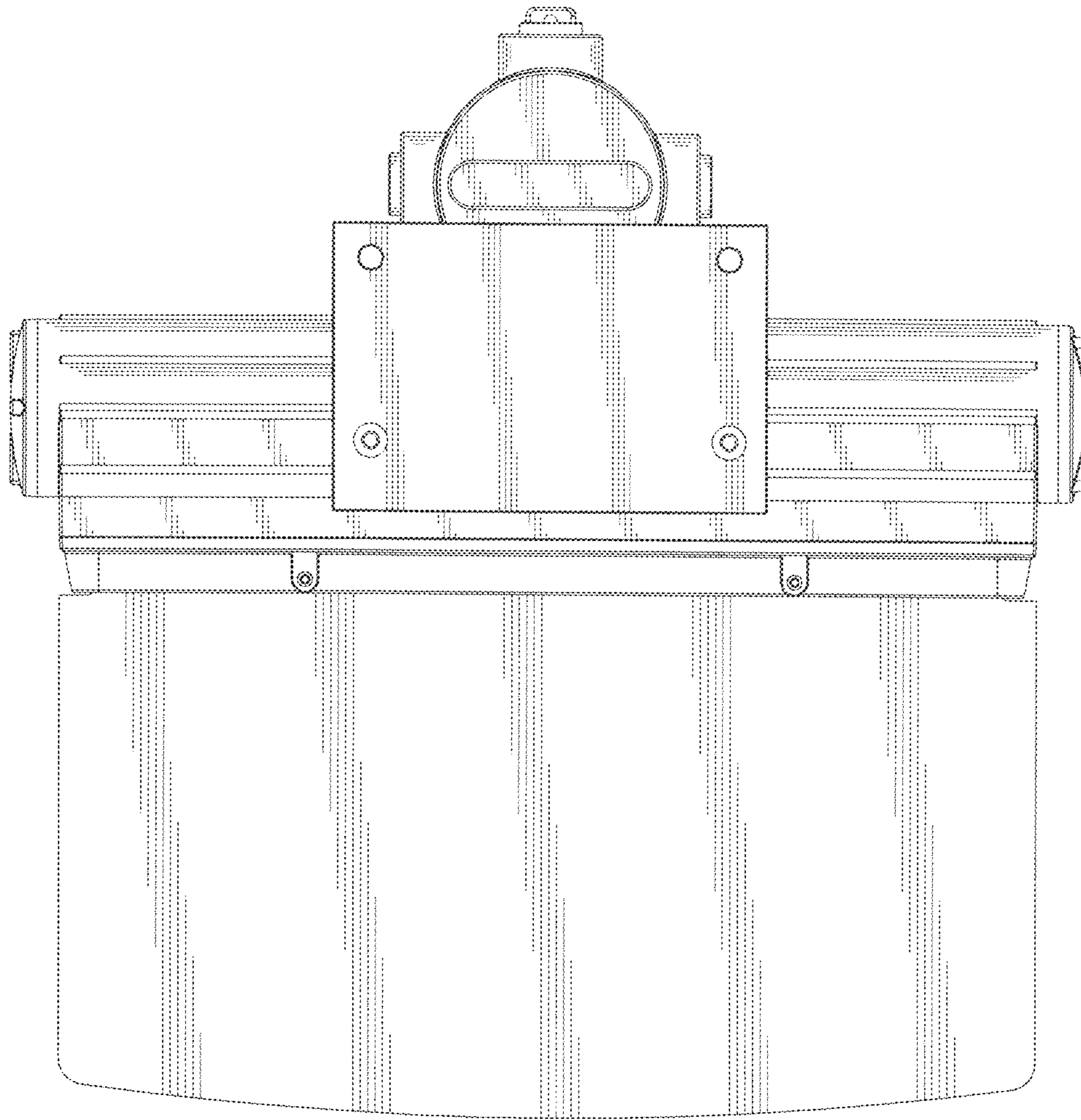


Fig.3

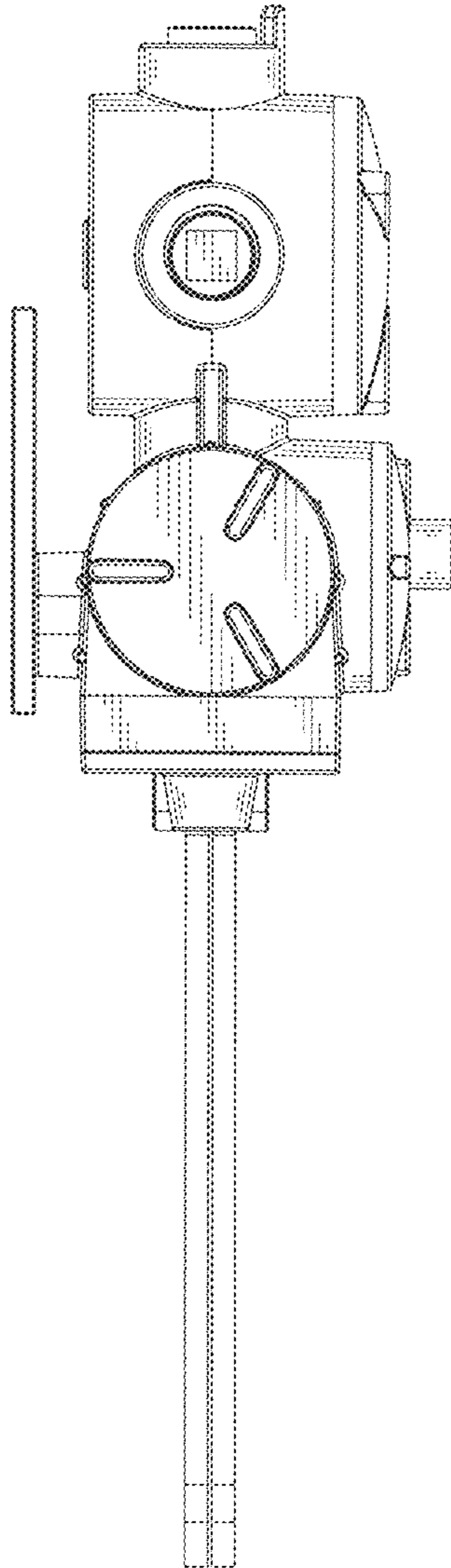


Fig.4

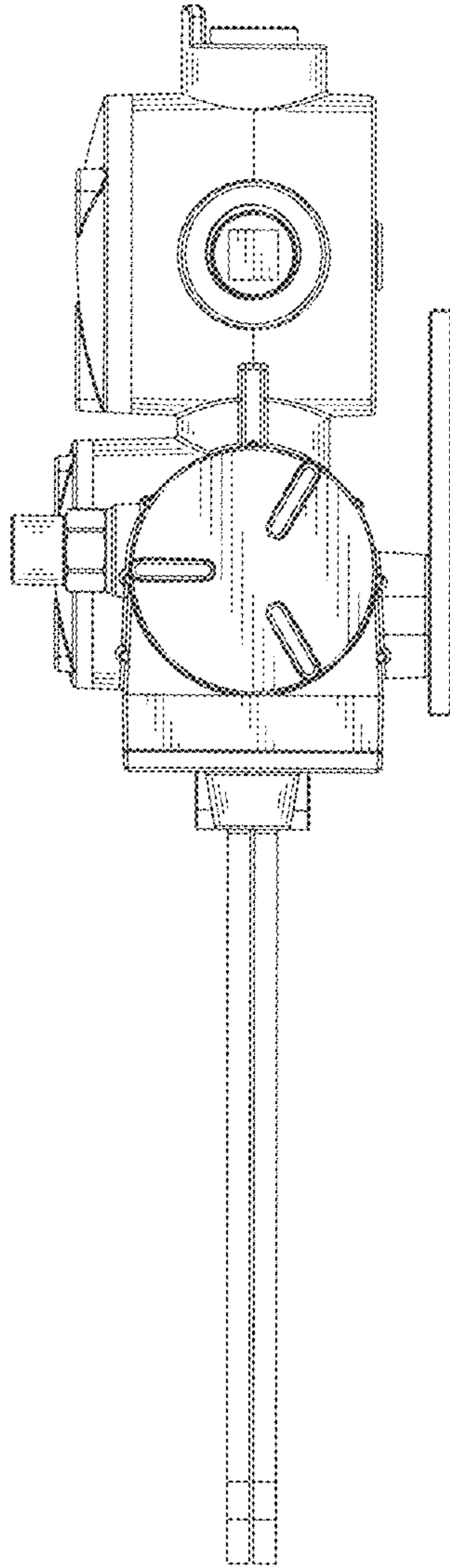


Fig.5

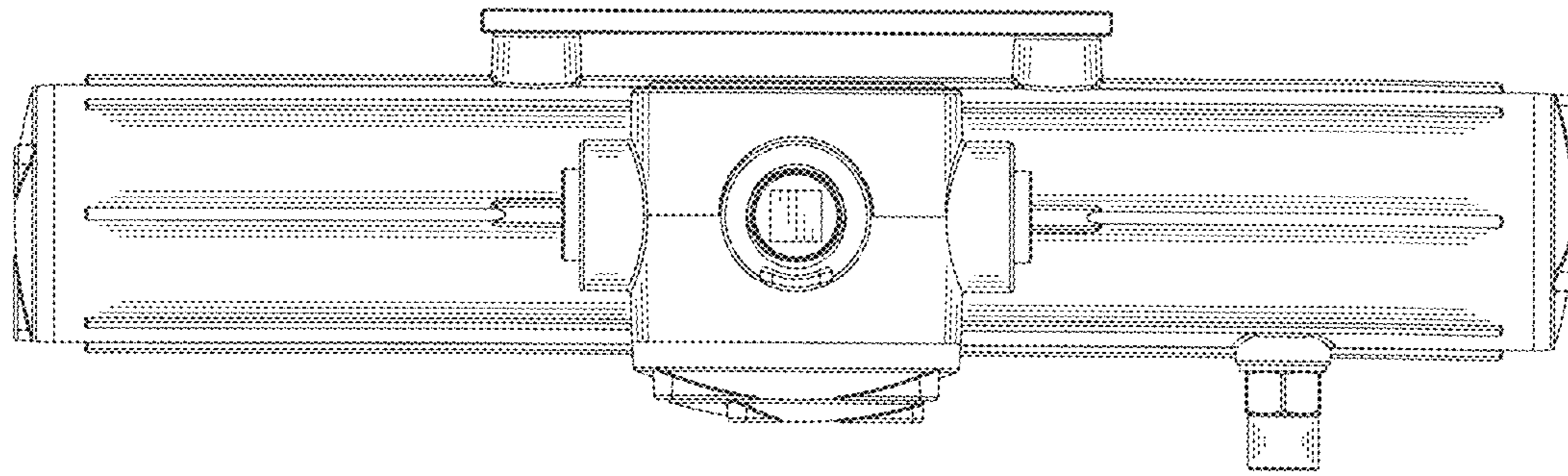


Fig.6

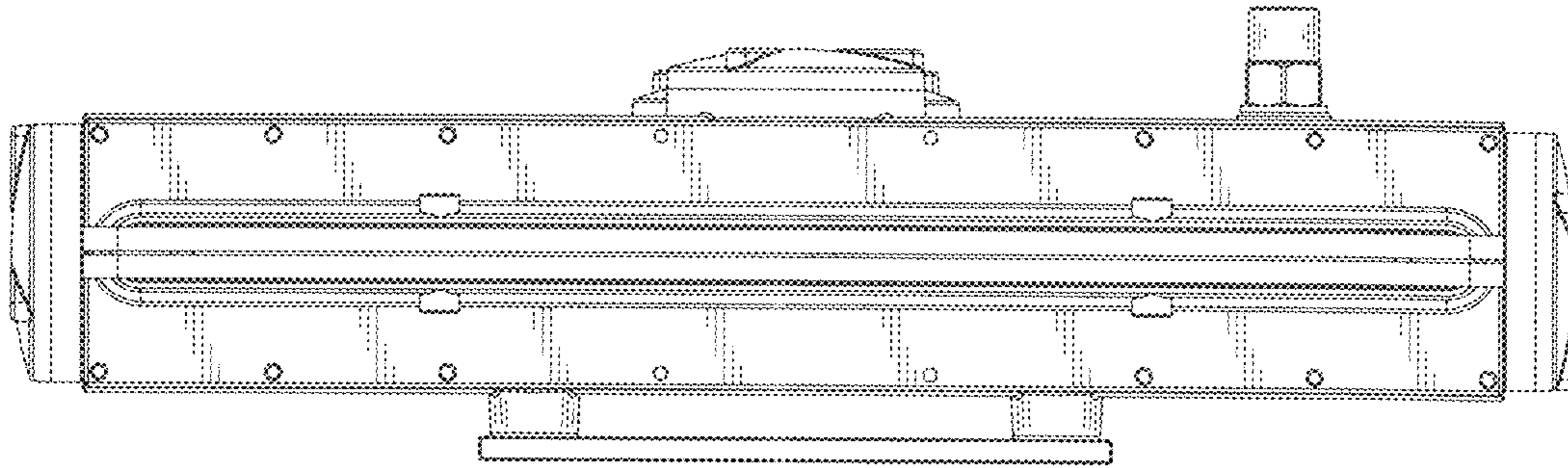


Fig.7