



US00D872919S

(12) **United States Design Patent** (10) **Patent No.:** **US D872,919 S**
Fan (45) **Date of Patent:** **** Jan. 14, 2020**

- (54) **LED WEAPONLIGHT**
- (71) Applicant: **Shenzhen Olight E-Commerce Technology Co., Ltd., Guangdong (CN)**
- (72) Inventor: **Jiang Fan, HuBei (CN)**
- (**) Term: **15 Years**
- (21) Appl. No.: **29/662,130**
- (22) Filed: **Sep. 3, 2018**
- (51) **LOC (12) Cl.** **26-05**
- (52) **U.S. Cl.**
USPC **D26/60; D22/108; D22/109**
- (58) **Field of Classification Search**
USPC D26/1, 24, 37, 44, 45, 51, 60; D22/108, D22/109, 110, 199; D10/46; D16/132, D16/133, 135, 136, 220
CPC F41G 1/34; F41G 1/35; F41G 1/36; F41G 1/345; G02B 23/16; G02B 23/105
See application file for complete search history.

- D857,268 S * 8/2019 Worman D26/60
- D857,960 S * 8/2019 Worman D26/60
- 2019/0154243 A1 * 5/2019 Worman F21V 23/0421
- 2019/0219365 A1 * 7/2019 Ma F41G 1/35

* cited by examiner

Primary Examiner — Wan Laymon
Assistant Examiner — Clint A Samuel
(74) *Attorney, Agent, or Firm* — Prakash Nama; Global IP Services, PLLC

(57) **CLAIM**

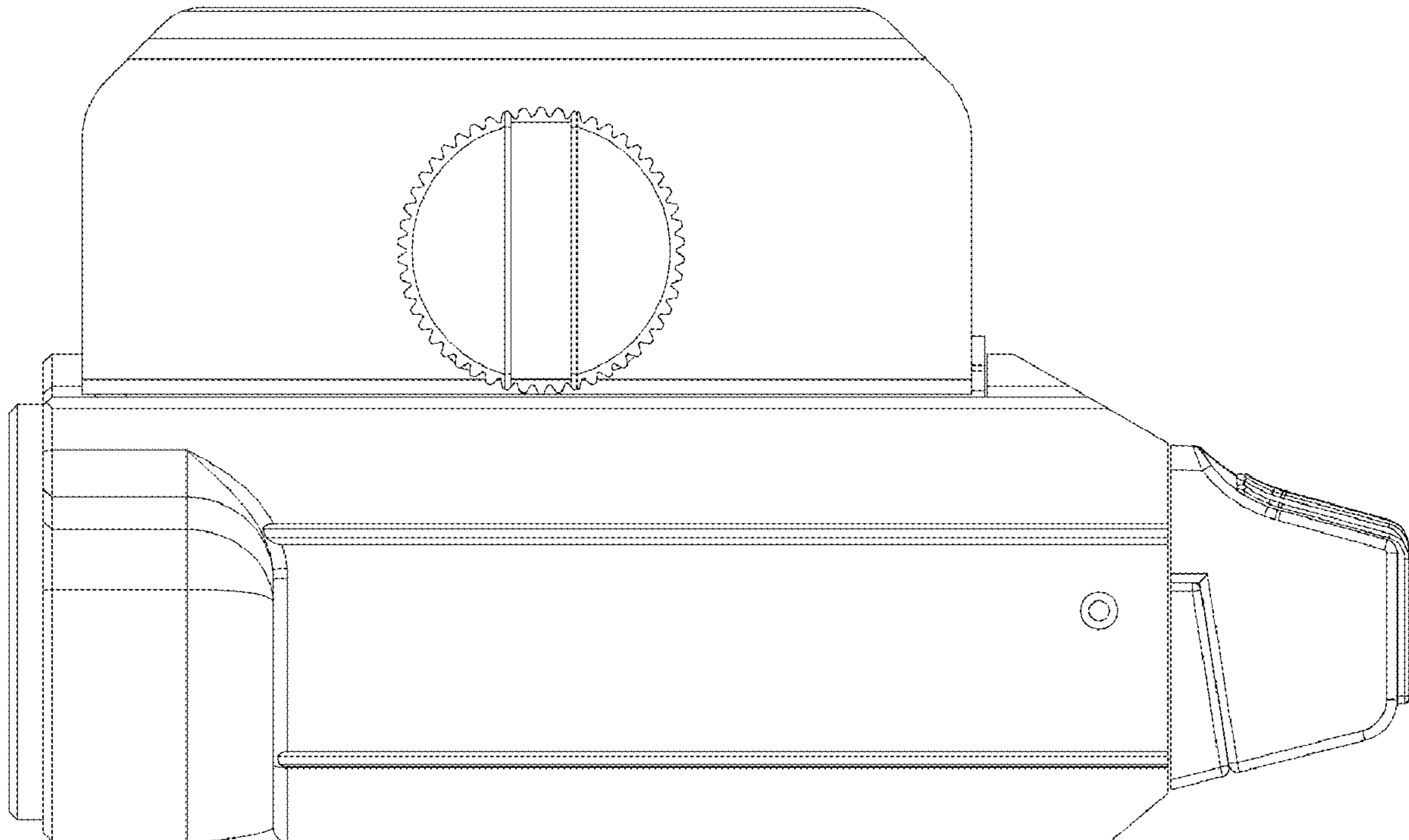
The ornamental design for a LED weaponlight, as shown and described.

DESCRIPTION

FIG. 1 is a front elevational view of a LED weaponlight showing my new design;
FIG. 2 is a rear elevational view thereof;
FIG. 3 is a left side view thereof;
FIG. 4 is a right side view thereof;
FIG. 5 is a top plan view thereof;
FIG. 6 is a bottom plan view thereof;
FIG. 7 is a perspective view thereof; and,
FIG. 8 is another perspective view thereof.
The broken lines shown in LED weaponlight form no part of the claimed design.

1 Claim, 4 Drawing Sheets

- (56) **References Cited**
U.S. PATENT DOCUMENTS
D548,385 S * 8/2007 Sharrah D26/51
D567,894 S * 4/2008 Sterling D22/108
D568,508 S * 5/2008 Howe D26/38
D800,362 S * 10/2017 Galli D26/60
D812,178 S * 3/2018 Galli D22/108
10,365,069 B1 * 7/2019 Tayon



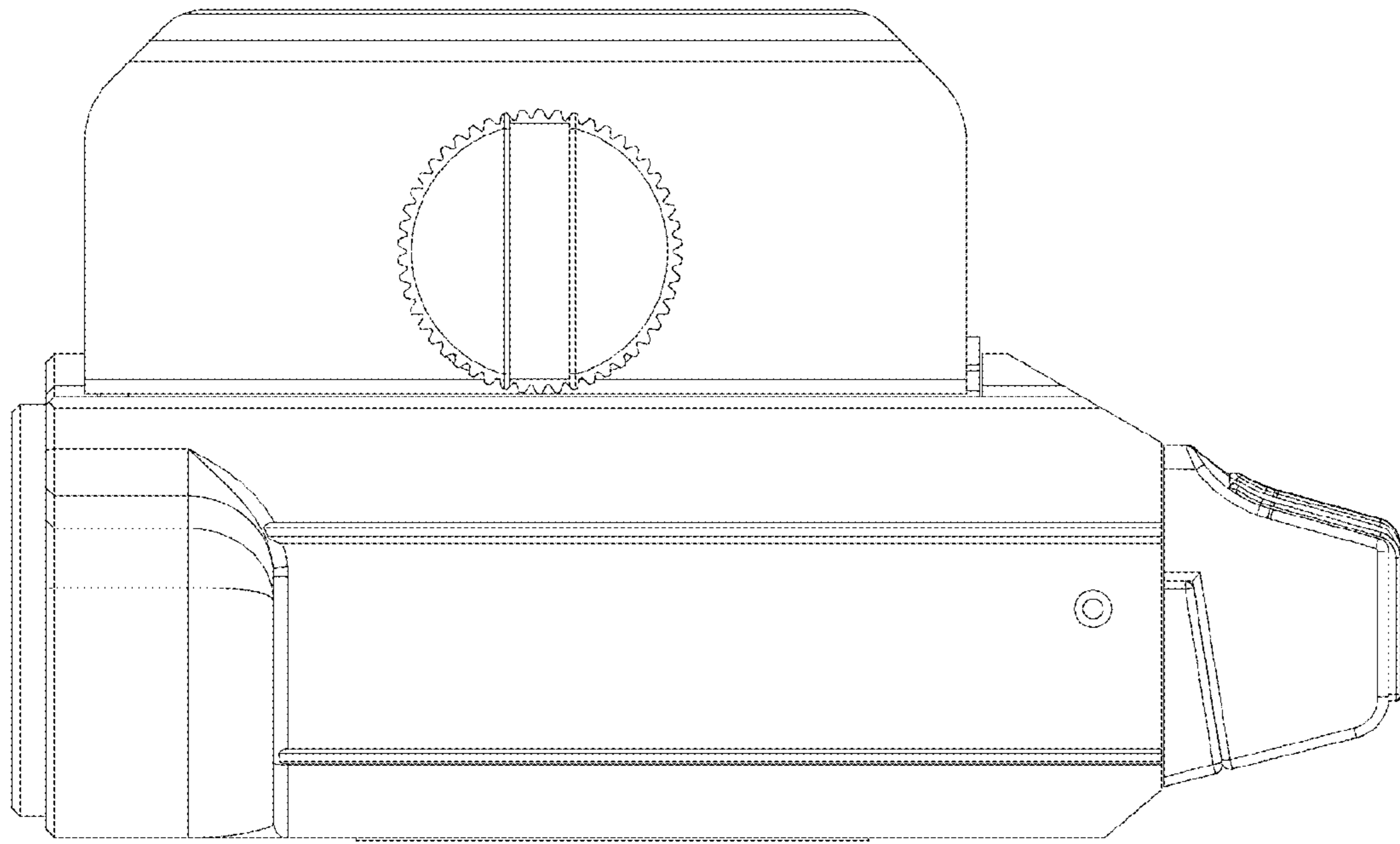


Fig. 1

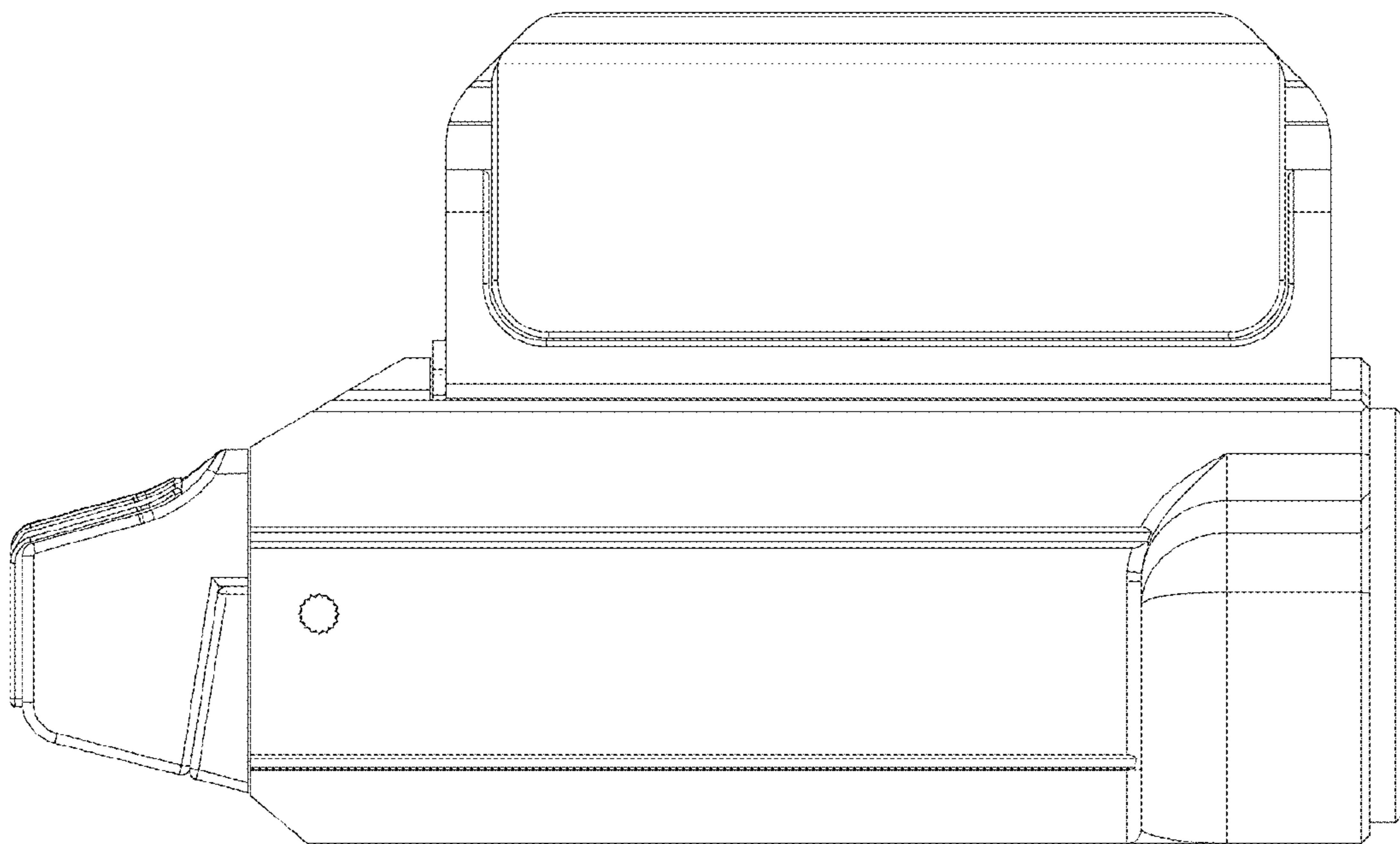


Fig. 2

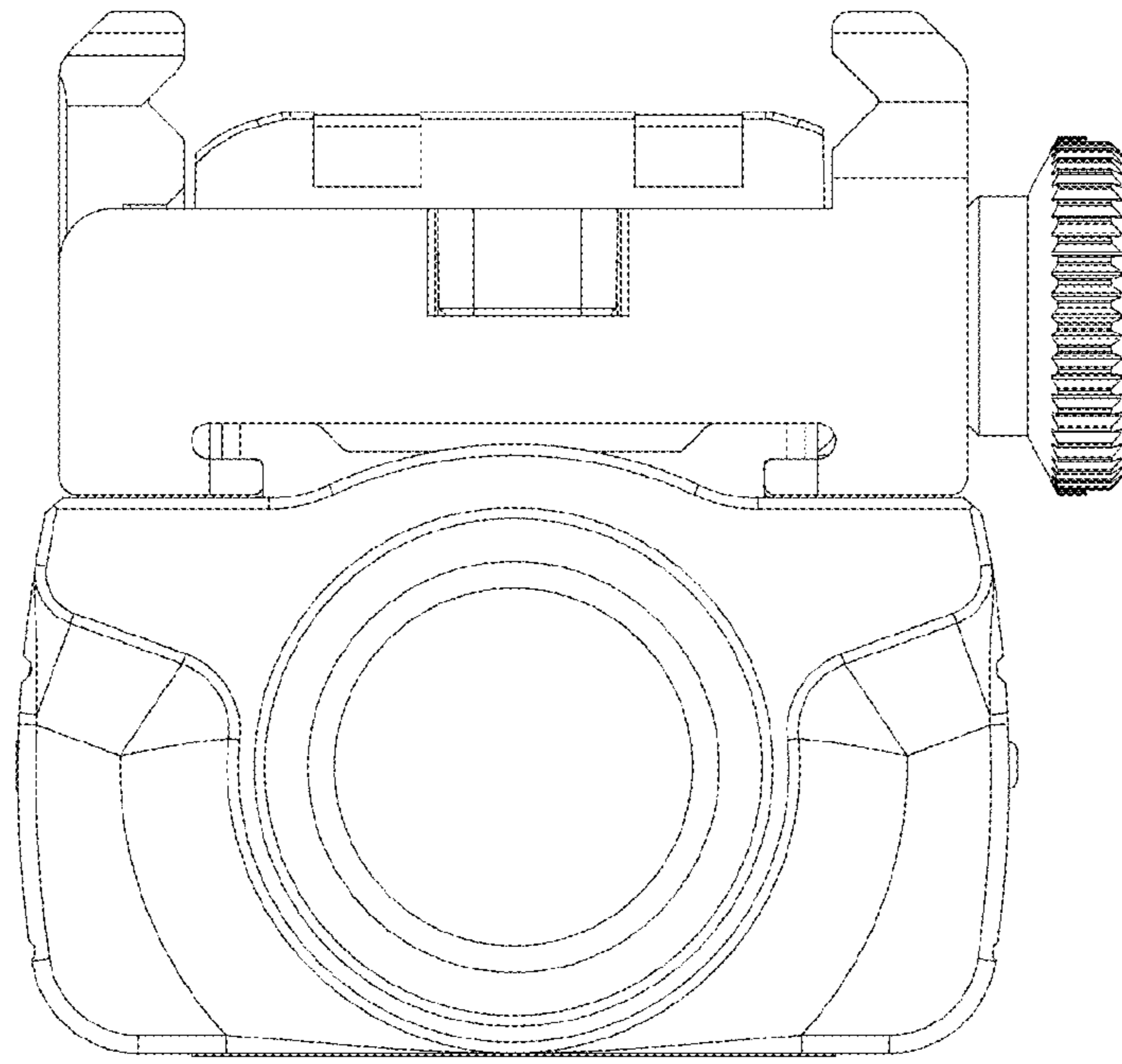


Fig. 3

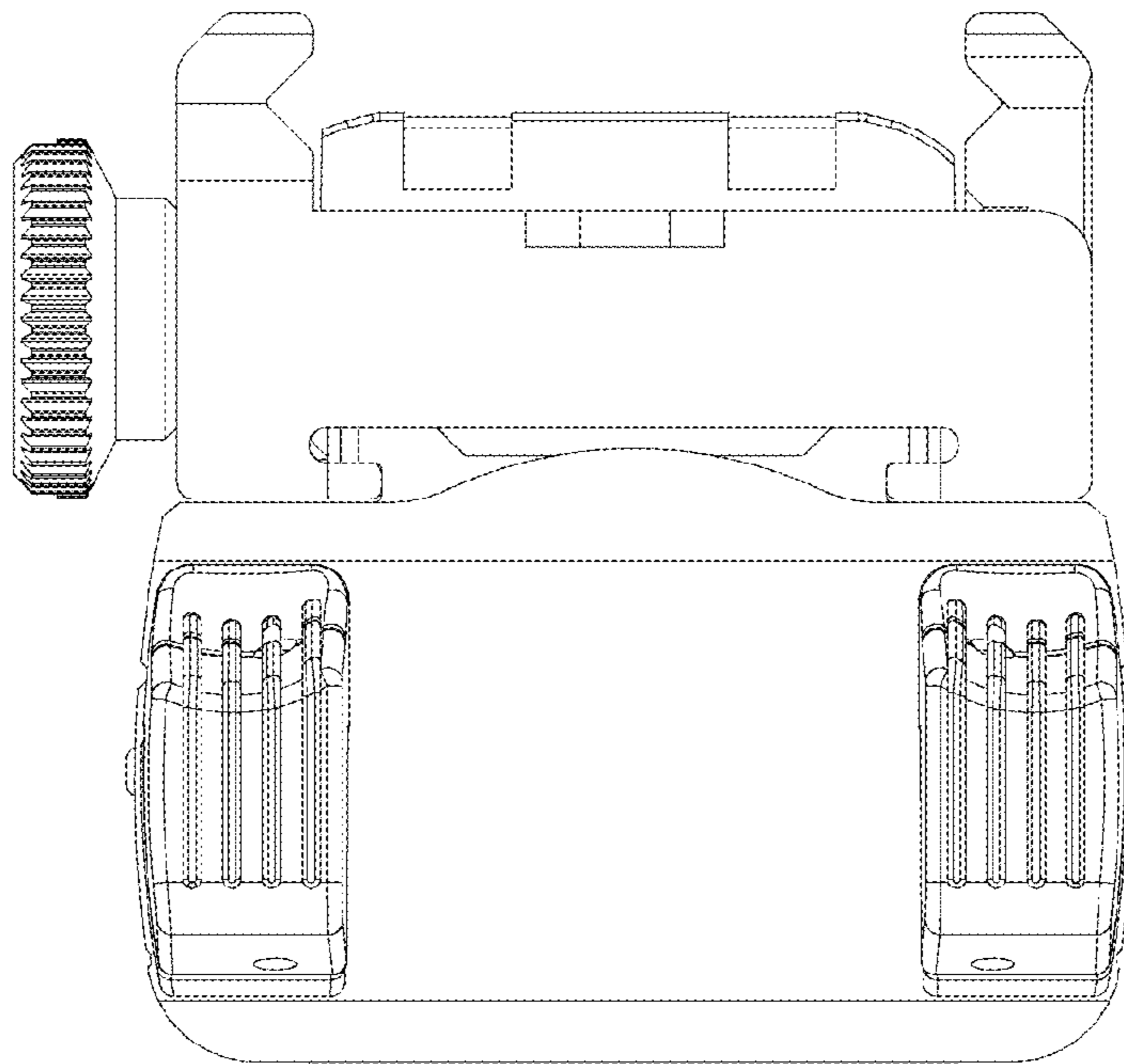


Fig. 4

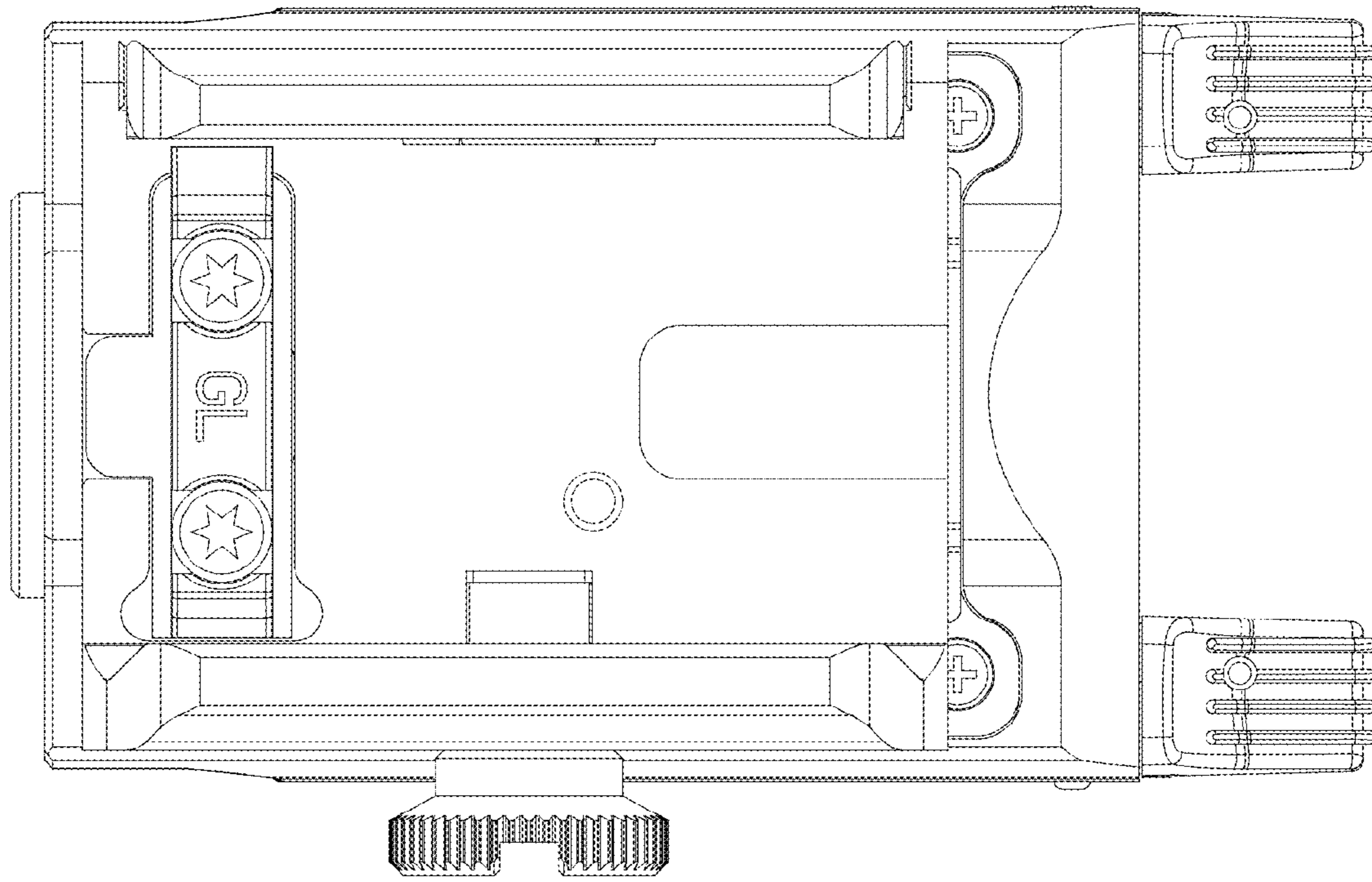


Fig. 5

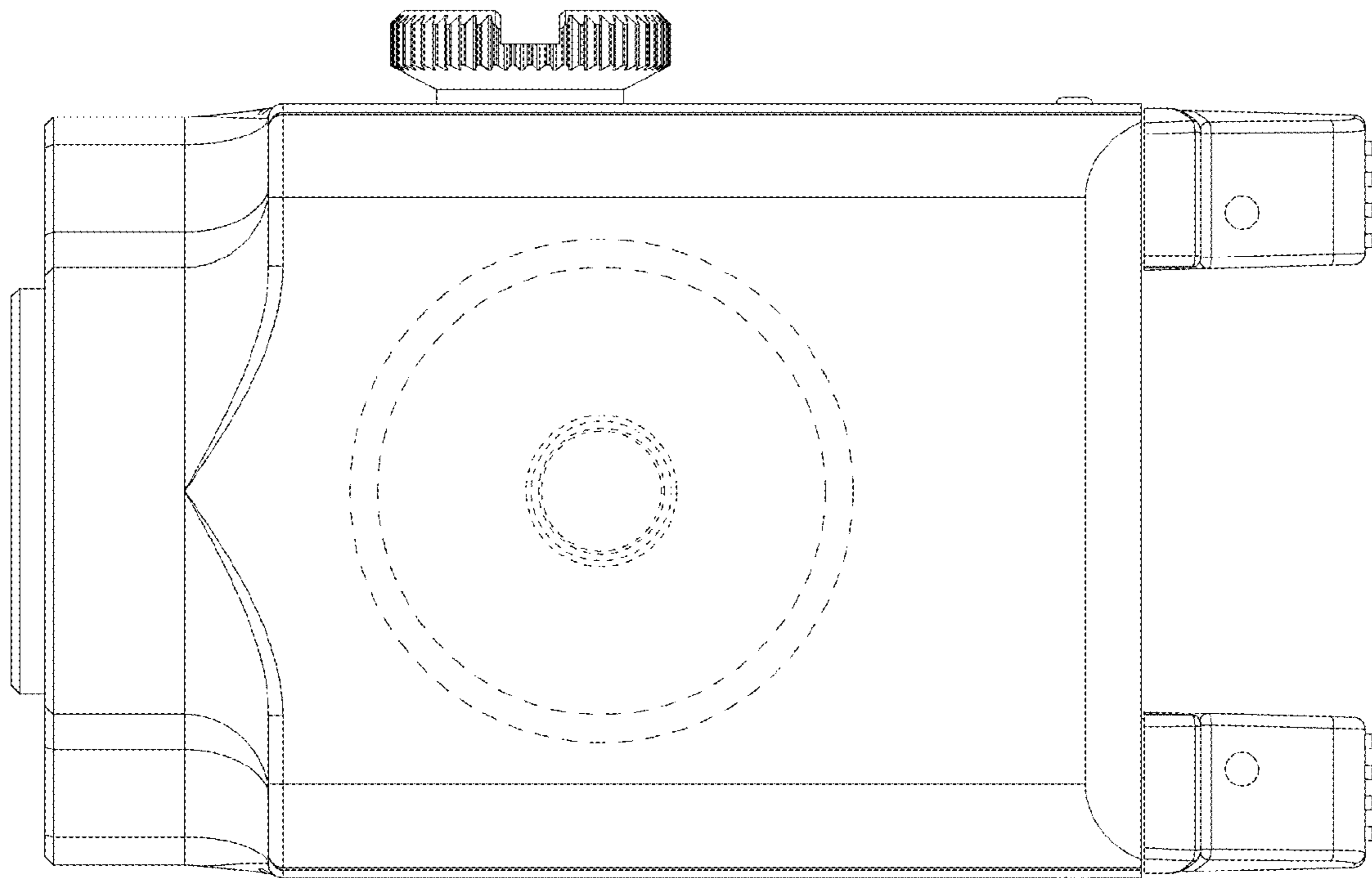


Fig. 6

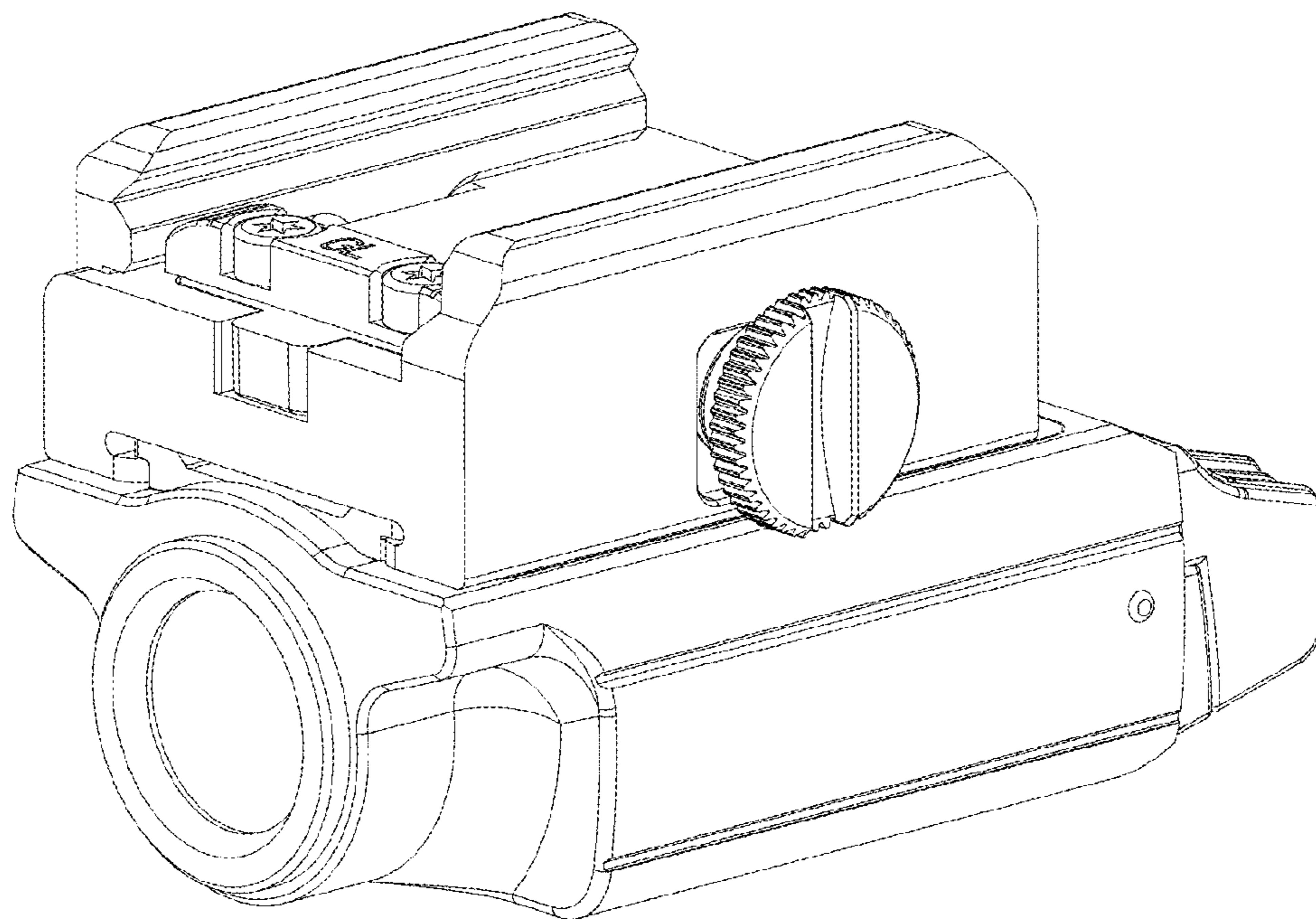


Fig. 7

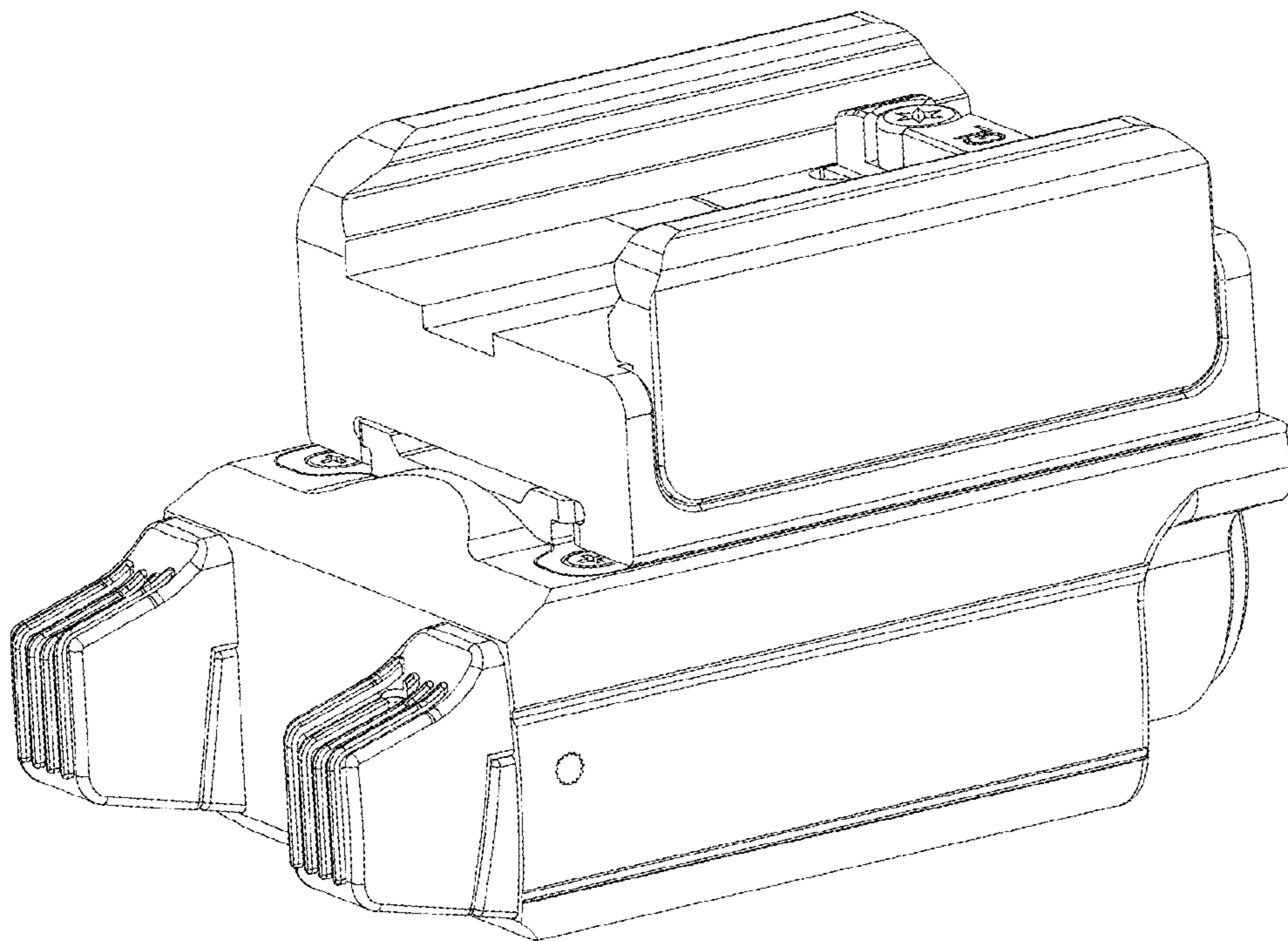


Fig. 8