



US00D872918S

(12) **United States Design Patent**
Smith

(10) **Patent No.:** **US D872,918 S**
(45) **Date of Patent:** **** Jan. 14, 2020**

(54) **LIGHTING DEVICE**

(71) Applicant: **Energizer Brands, LLC**, St. Louis, MO (US)

(72) Inventor: **Jeffrey James Smith**, Honeoye Falls, NY (US)

(73) Assignee: **Energizer Brands, LLC**, St. Louis, MO (US)

(**) Term: **15 Years**

(21) Appl. No.: **29/659,405**

(22) Filed: **Aug. 8, 2018**

(51) **LOC (12) Cl.** **26-02**

(52) **U.S. Cl.**
USPC **D26/39**

(58) **Field of Classification Search**
USPC D26/1, 24, 25, 43, 60, 110, 113, 28, 37, D26/61, 85, 102, 138-140; 362/249.14, 362/311.02, 311.13
CPC F21S 4/00; F21S 4/10; F21S 4/15; F21S 4/26; F21S 2/00; F21V 11/02; F21V 11/06; F21V 17/10; F21V 17/16; F21V 21/0296; F21V 21/0054; F21V 21/008; F21V 21/00; F21V 21/08; F21V 23/00; F21V 23/04; F21V 33/00; F21W 2121/00; F21W 2121/04; F21Y 2115/10; F21L 4/00; F21L 4/02; F21L 4/04; F21L 4/08
See application file for complete search history.

(56) **References Cited**

U.S. PATENT DOCUMENTS

| | | |
|------------|--------|------------------|
| D426,330 S | 6/2000 | Cramer |
| D470,615 S | 2/2003 | Janice et al. |
| D472,998 S | 4/2003 | Paris et al. |
| D488,140 S | 4/2004 | Hanselman et al. |
| D492,052 S | 6/2004 | Schnell |

| | | |
|------------|---------|--------------------|
| D506,846 S | 6/2005 | Kang et al. |
| D547,475 S | 7/2007 | Xu |
| D552,278 S | 10/2007 | Spartano et al. |
| D560,009 S | 1/2008 | Spartano et al. |
| D560,298 S | 1/2008 | Spartano et al. |
| D566,310 S | 4/2008 | Alessio |
| D568,510 S | 5/2008 | Shiu |
| D573,736 S | 7/2008 | Poon |
| D575,888 S | 8/2008 | Shiu |
| D581,567 S | 11/2008 | Crawford et al. |
| D583,971 S | 12/2008 | Castellucci et al. |
| D590,531 S | 4/2009 | Ma |
| D590,975 S | 4/2009 | Ma |
| D592,782 S | 5/2009 | Hine et al. |
| D596,770 S | 7/2009 | Hine et al. |
| D615,227 S | 5/2010 | Hine et al. |

(Continued)

Primary Examiner — Abraham Bahta

(74) *Attorney, Agent, or Firm* — Alston & Bird LLP

(57) **CLAIM**

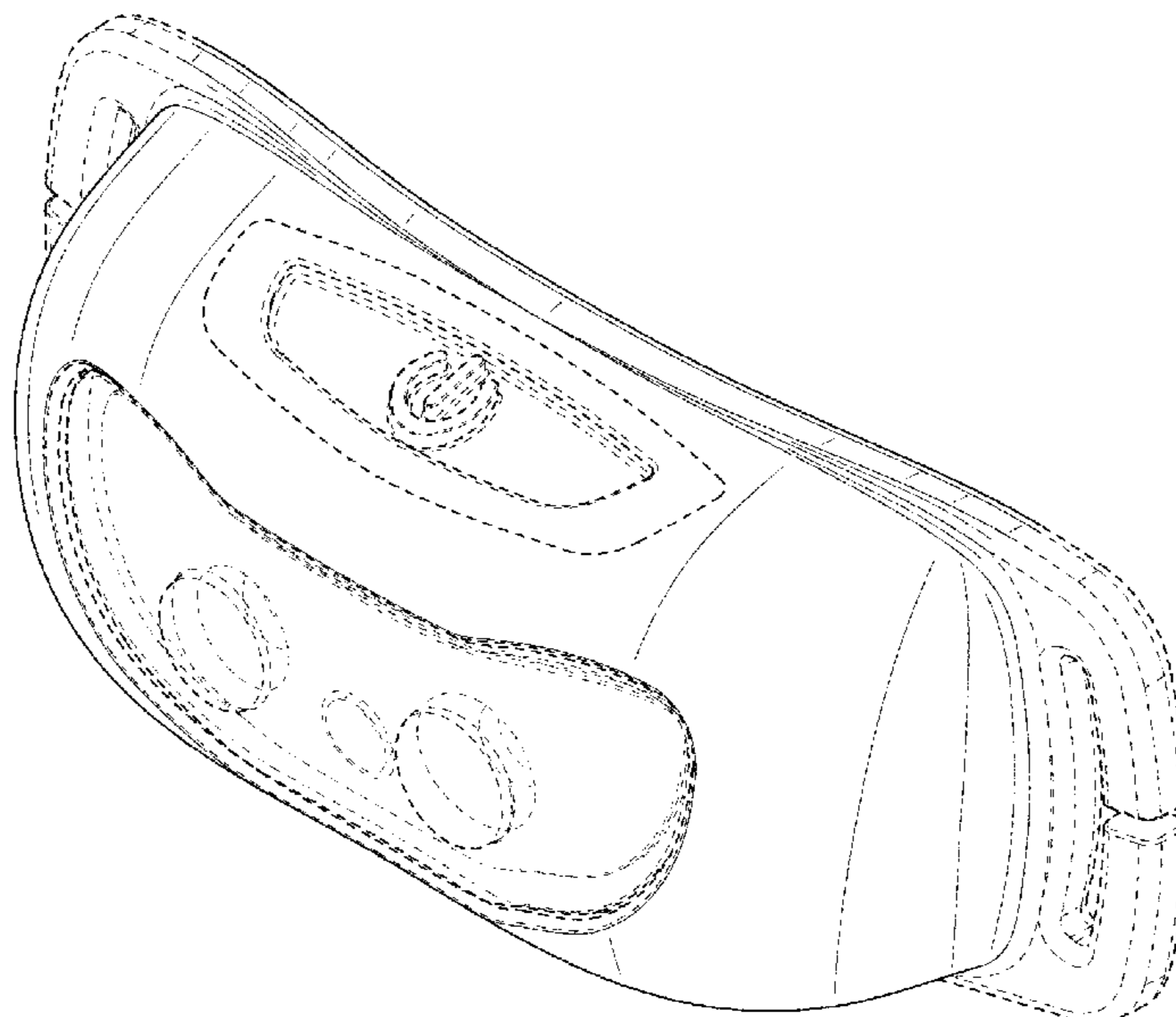
The ornamental design for a lighting device, as shown and described.

DESCRIPTION

FIG. 1 is a top front perspective view of a lighting device according to one exemplary embodiment of the present design.
FIG. 2 is a front view the lighting device of FIG. 1.
FIG. 3 is a back view of the lighting device of FIG. 1.
FIG. 4 is a left side view of the lighting device of FIG. 1.
FIG. 5 is a right side view of the lighting device of FIG. 1.
FIG. 6 is a top view of the lighting device of FIG. 1.
FIG. 7 is a bottom view of the lighting device of FIG. 1; and, FIG. 8 is a bottom rear perspective view of the lighting device of FIG. 1.

The broken lines shown are provided for the purpose of illustrating environmental structure and form no part of the claimed design.

1 Claim, 7 Drawing Sheets



(56)

References Cited

U.S. PATENT DOCUMENTS

| | | | | | |
|--------------|---------|------------------------|-----------------|---------|-----------------------|
| D620,160 S | 7/2010 | Kang et al. | D742,051 S | 10/2015 | Abernethy et al. |
| D625,862 S | 10/2010 | Fitch et al. | D743,597 S | 11/2015 | Abernethy et al. |
| D625,863 S | 10/2010 | Kingston et al. | D744,134 S | 11/2015 | Hine et al. |
| D631,587 S | 1/2011 | Hine et al. | D752,257 S | 3/2016 | Hine et al. |
| 7,922,349 B2 | 4/2011 | Hunnewell et al. | D752,258 S | 3/2016 | Hine et al. |
| D648,468 S | 11/2011 | Gibson | D752,259 S | 3/2016 | Hine et al. |
| D651,732 S | 1/2012 | Hopkins | D752,260 S | 3/2016 | Hine et al. |
| D658,323 S | 4/2012 | Freschl | D752,261 S | 3/2016 | Ma |
| D683,489 S * | 5/2013 | Lee D26/39 | D752,790 S | 3/2016 | Hine et al. |
| 8,517,559 B1 | 8/2013 | Freschl | D806,294 S | 12/2017 | Nguyen et al. |
| D696,803 S | 12/2013 | Kingston et al. | D813,432 S * | 3/2018 | Koshiba D26/39 |
| D702,863 S | 4/2014 | Kotsis | D814,083 S | 3/2018 | Green |
| D703,355 S | 4/2014 | Kotsis | D824,059 S | 7/2018 | Inskeep |
| D707,867 S | 6/2014 | Kotsis et al. | D830,601 S | 10/2018 | Petzl |
| D711,028 S * | 8/2014 | Pritchett D26/37 | D830,602 S * | 10/2018 | Melchior D26/39 |
| D736,977 S | 8/2015 | Petzl | D836,810 S | 12/2018 | DeBrunner |
| D736,978 S | 8/2015 | Petzl | D844,869 S | 4/2019 | Green |
| D736,979 S | 8/2015 | Petzl | D845,526 S | 4/2019 | Windom et al. |
| D736,980 S | 8/2015 | Petzl | D851,307 S * | 6/2019 | Sharrah D26/39 |
| | | | D861,212 S | 9/2019 | Windom et al. |
| | | | D861,940 S | 10/2019 | Kunzendorf |
| | | | 2008/0025036 A1 | 1/2008 | Takada et al. |

* cited by examiner

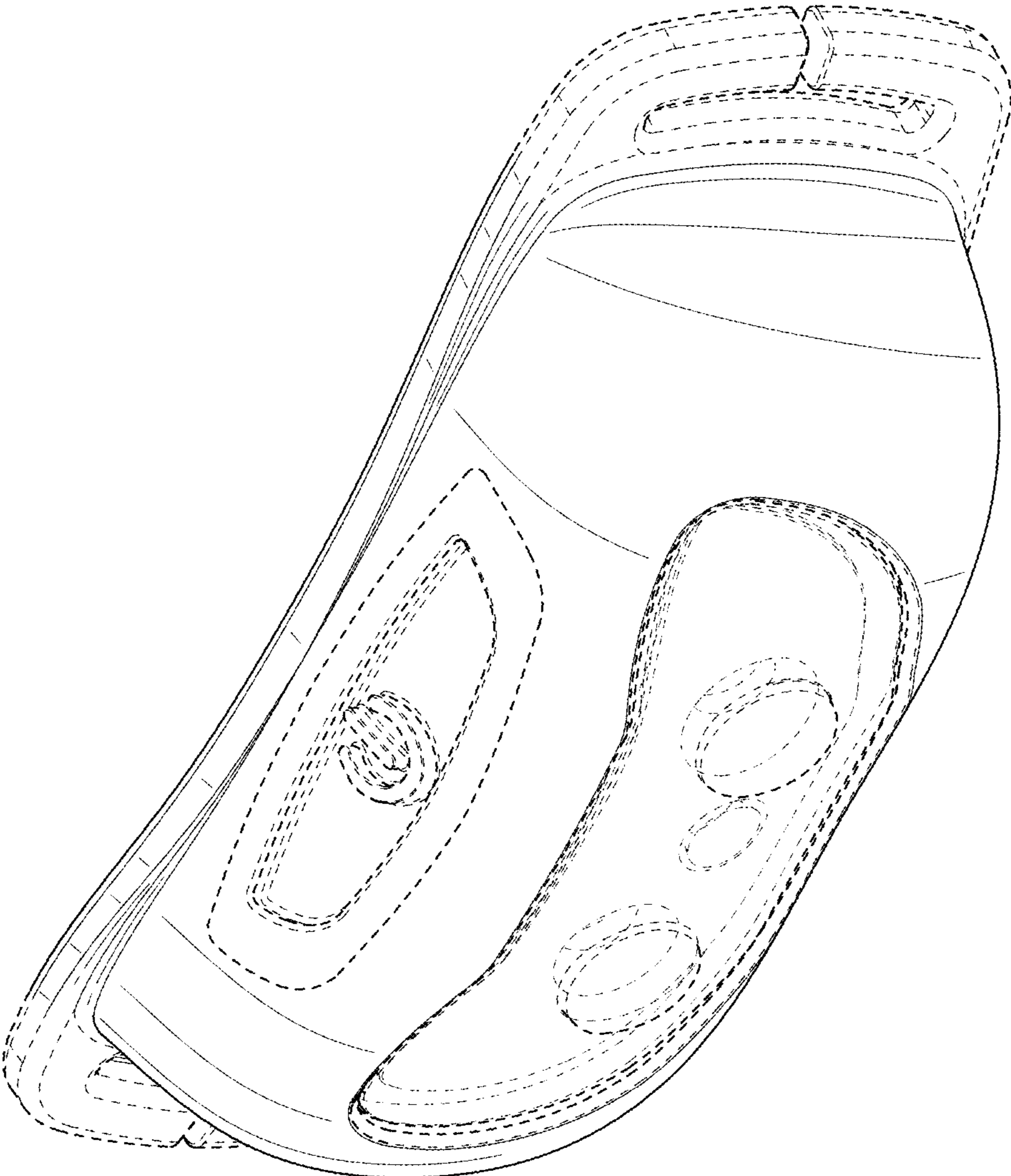


FIG. 1

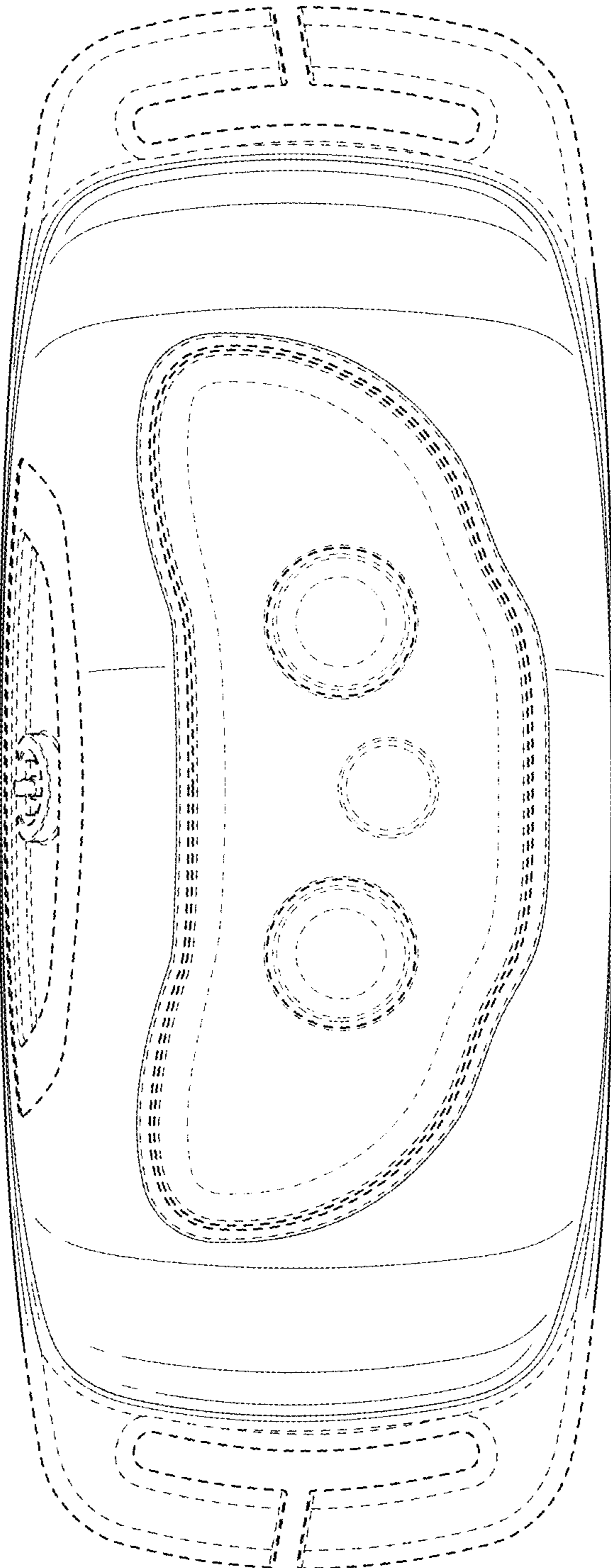


FIG. 2

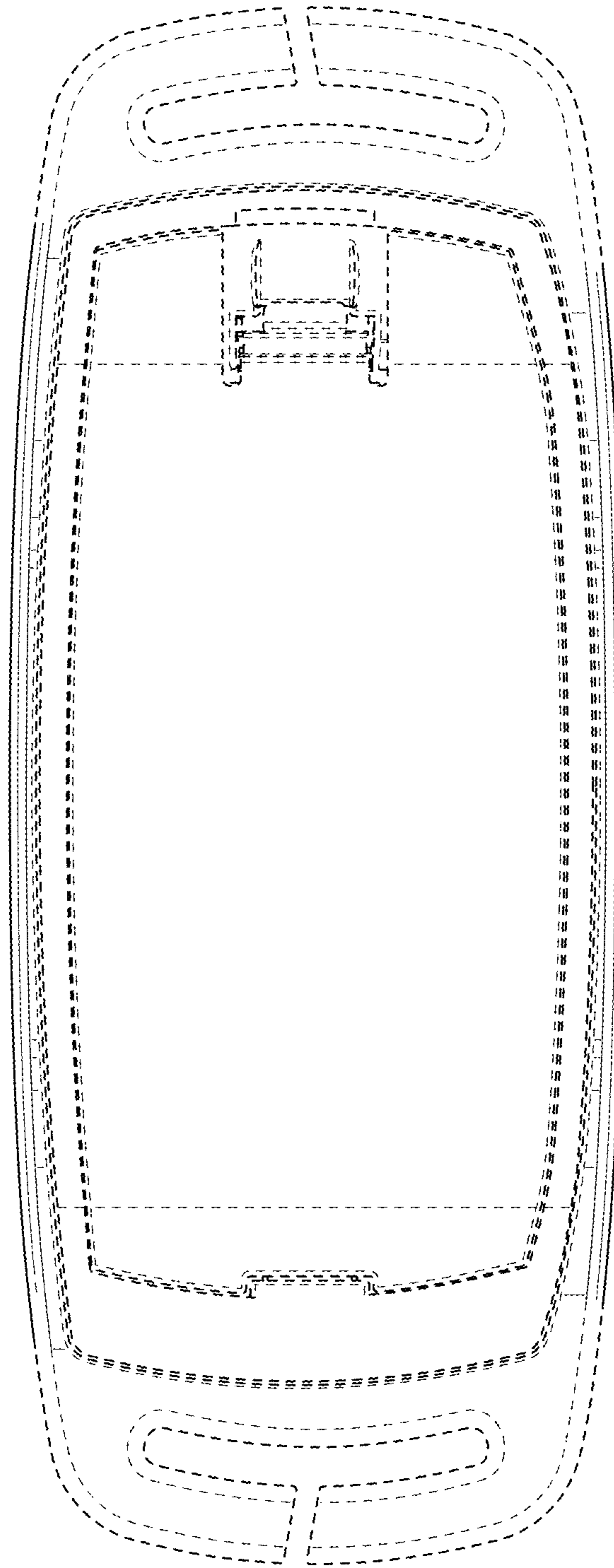


FIG. 3

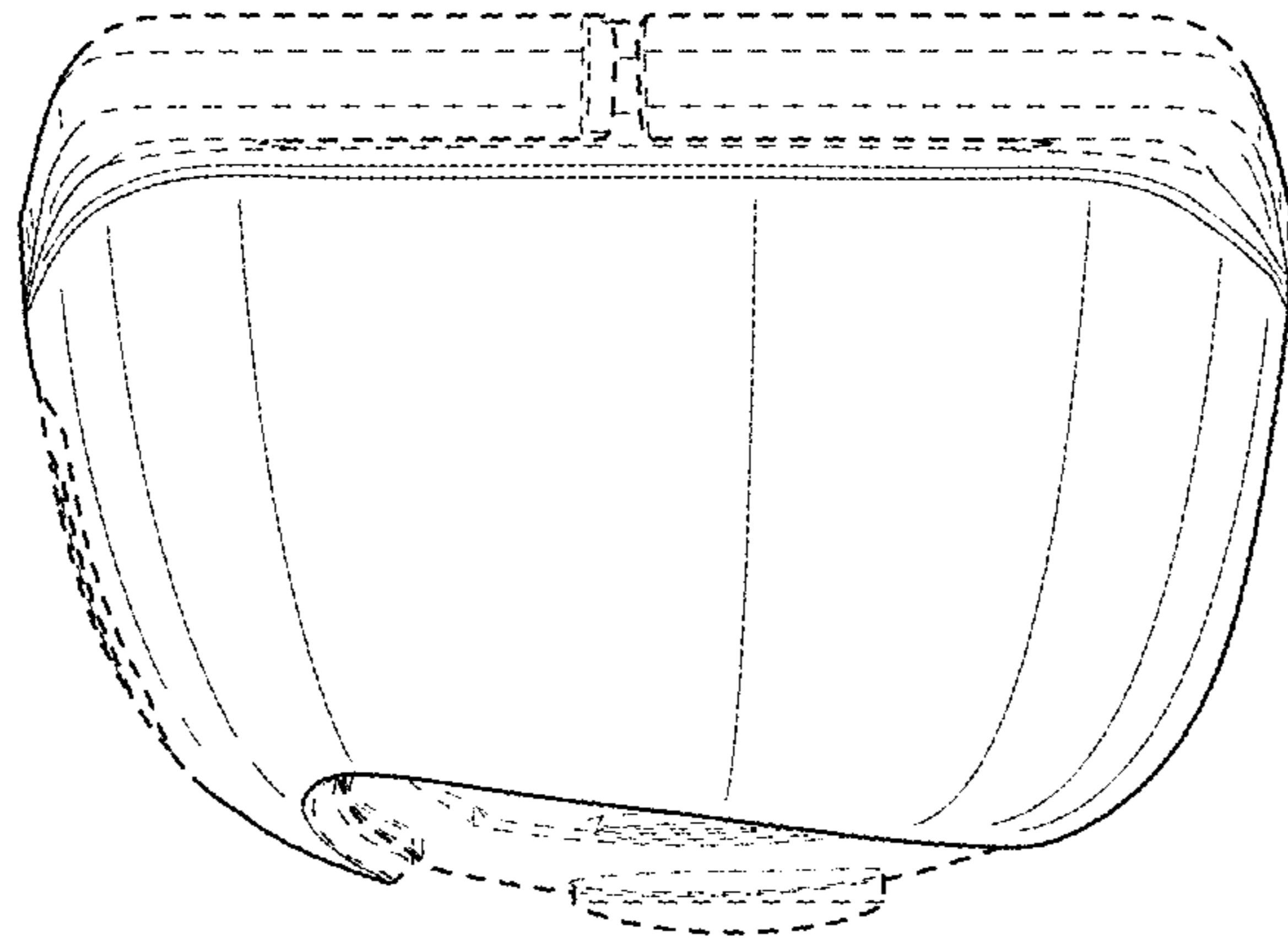


FIG. 5

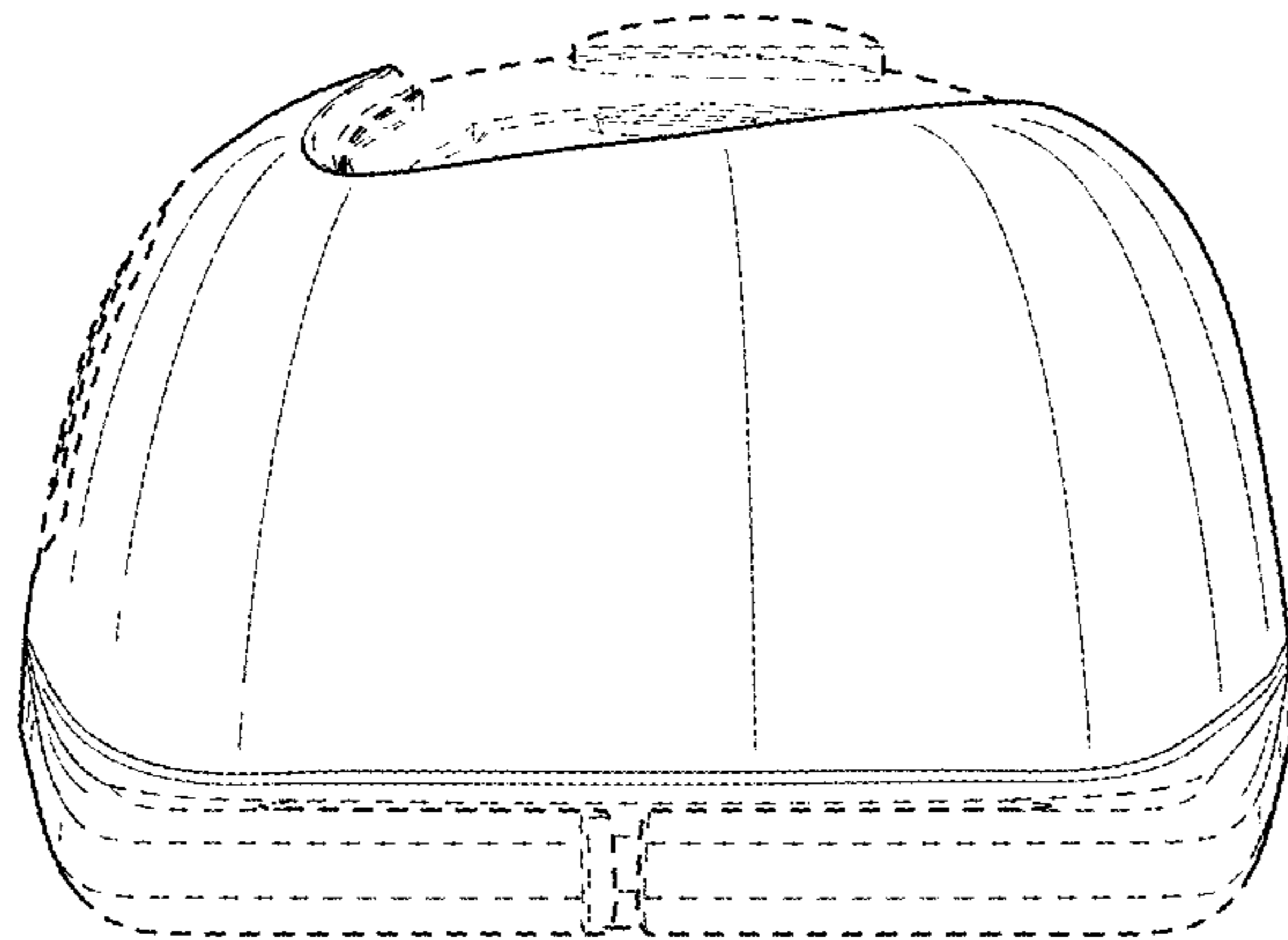


FIG. 4

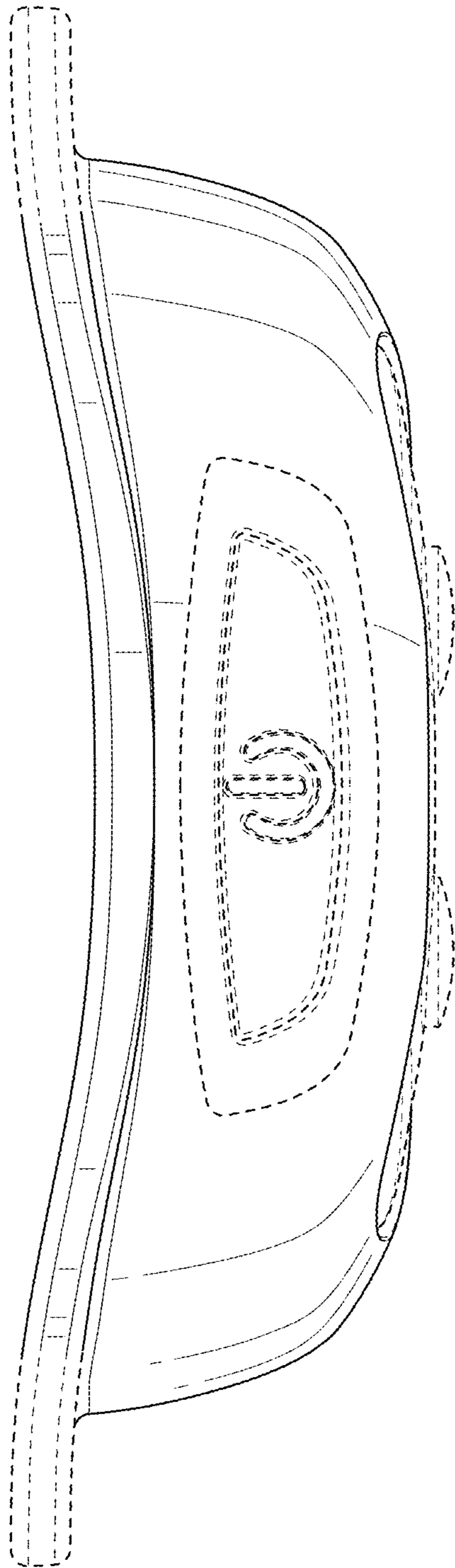


FIG. 6

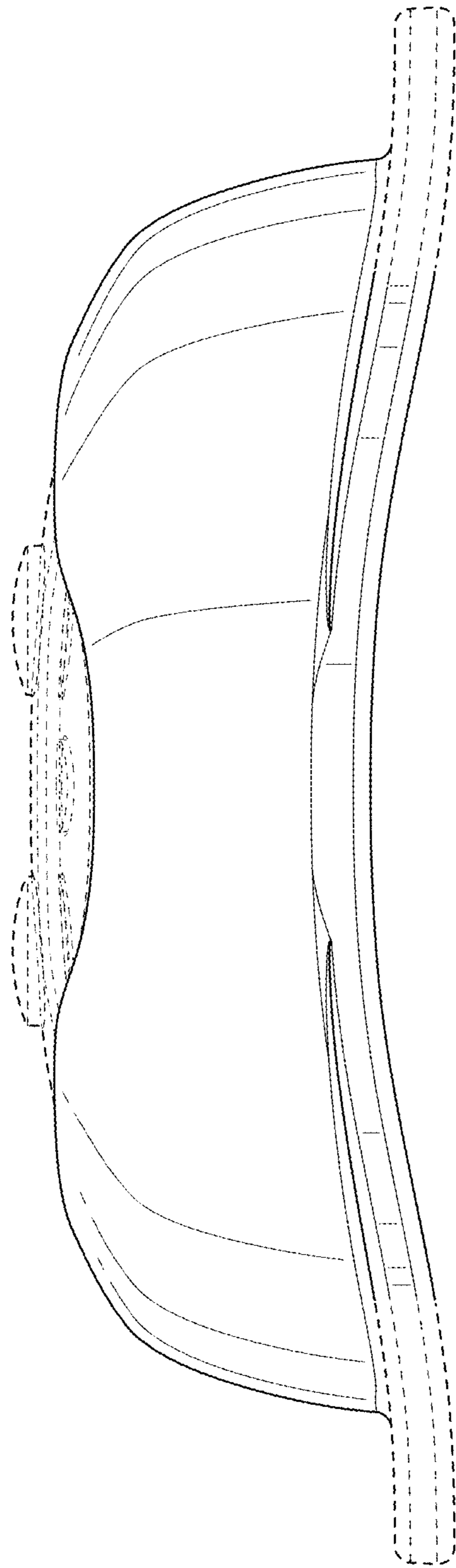


FIG. 7

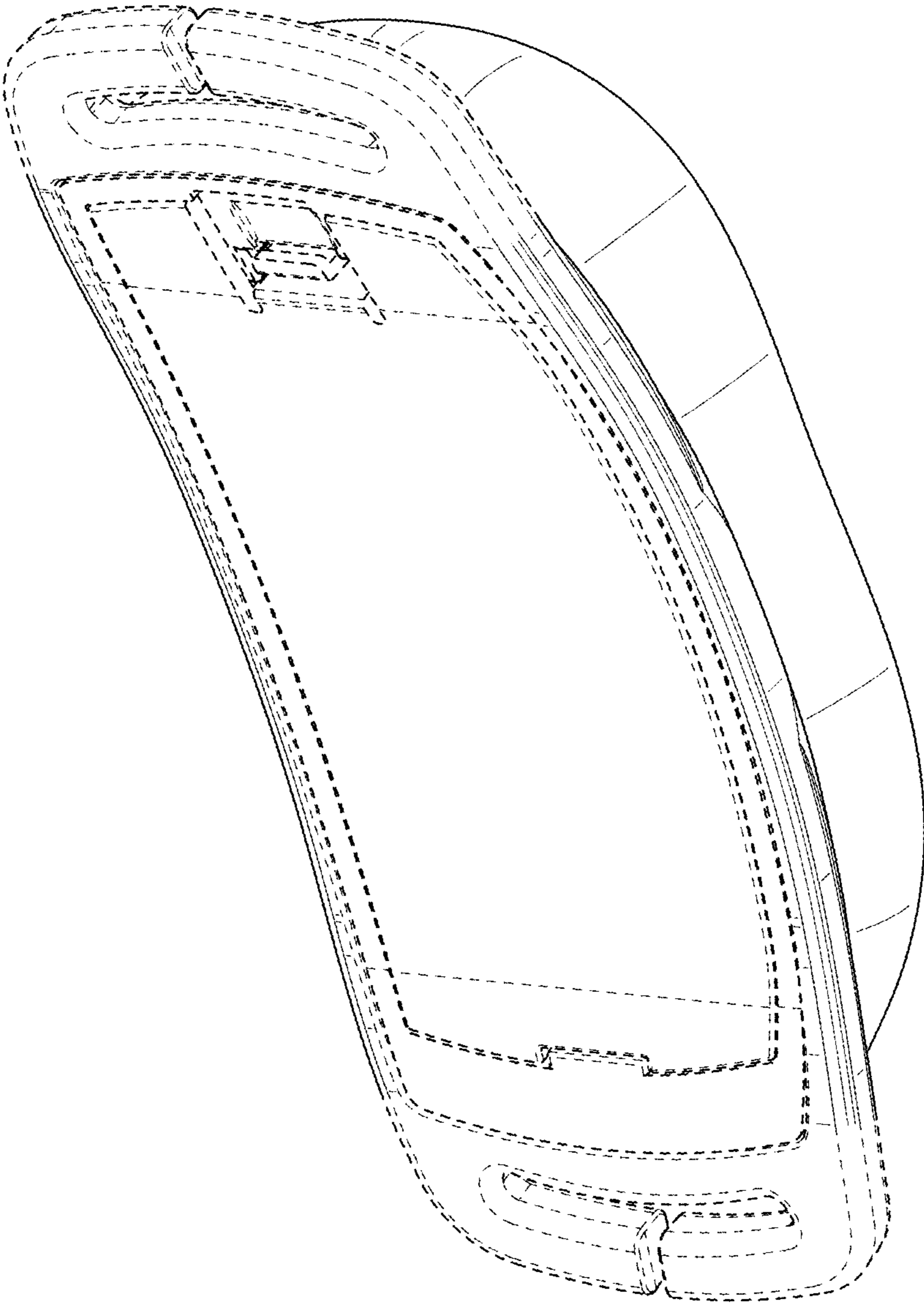


FIG. 8