



US00D872916S

(12) **United States Design Patent** (10) **Patent No.:** **US D872,916 S**
Han et al. (45) **Date of Patent:** **** Jan. 14, 2020**

(54) **HEAD LAMP FOR AN AUTOMOBILE**

(56) **References Cited**

(71) Applicants: **HYUNDAI MOTOR COMPANY**,
Seoul (KR); **KIA MOTORS**
CORPORATION, Seoul (KR)

(72) Inventors: **Jaе Do Han**, Yongin-si (KR); **Min Jae**
Kwon, Seoul (KR); **Keon Soo Jin**,
Ulsan (KR); **Byung Ho Kong**, Seoul
(KR)

(73) Assignees: **Hyundai Motor Company**, Seoul
(KR); **Kia Motors Corporation**, Seoul
(KR)

U.S. PATENT DOCUMENTS

D739,057 S *	9/2015	Park	D26/28
D755,424 S *	5/2016	Kong	D26/28
D755,425 S *	5/2016	Kong	D26/28
D763,486 S *	8/2016	Kwon	D26/28
D785,833 S *	5/2017	Lee	D26/28
D787,726 S *	5/2017	Hong	D26/28
D788,956 S *	6/2017	Hong	D26/28
D818,164 S *	5/2018	Ha	D26/28
D843,028 S *	3/2019	Lee	D26/28
D843,034 S *	3/2019	Kim	D26/28
D846,777 S *	4/2019	Hwang	D26/28
D846,778 S *	4/2019	Hwang	D26/28
D856,558 S *	8/2019	Lin	D26/28

(**) Term: **15 Years**

* cited by examiner

(21) Appl. No.: **35/506,236**

Primary Examiner — Robert M. Spear

(22) Filed: **Jun. 18, 2018**

(74) *Attorney, Agent, or Firm* — Mintz Levin Cohn Ferris
Glovsky and Popeo, P.C.; Peter F. Corless; Carolina E.
Säve

(80) **Hague Agreement Data**

Int. Filing Date: **Jun. 18, 2018**
Int. Reg. No.: **DM/101784**
Int. Reg. Date: **Jun. 18, 2018**
Int. Reg. Pub. Date: **Dec. 21, 2018**

(57) **CLAIM**

The ornamental design for head lamp for an automobile, as
shown and described.

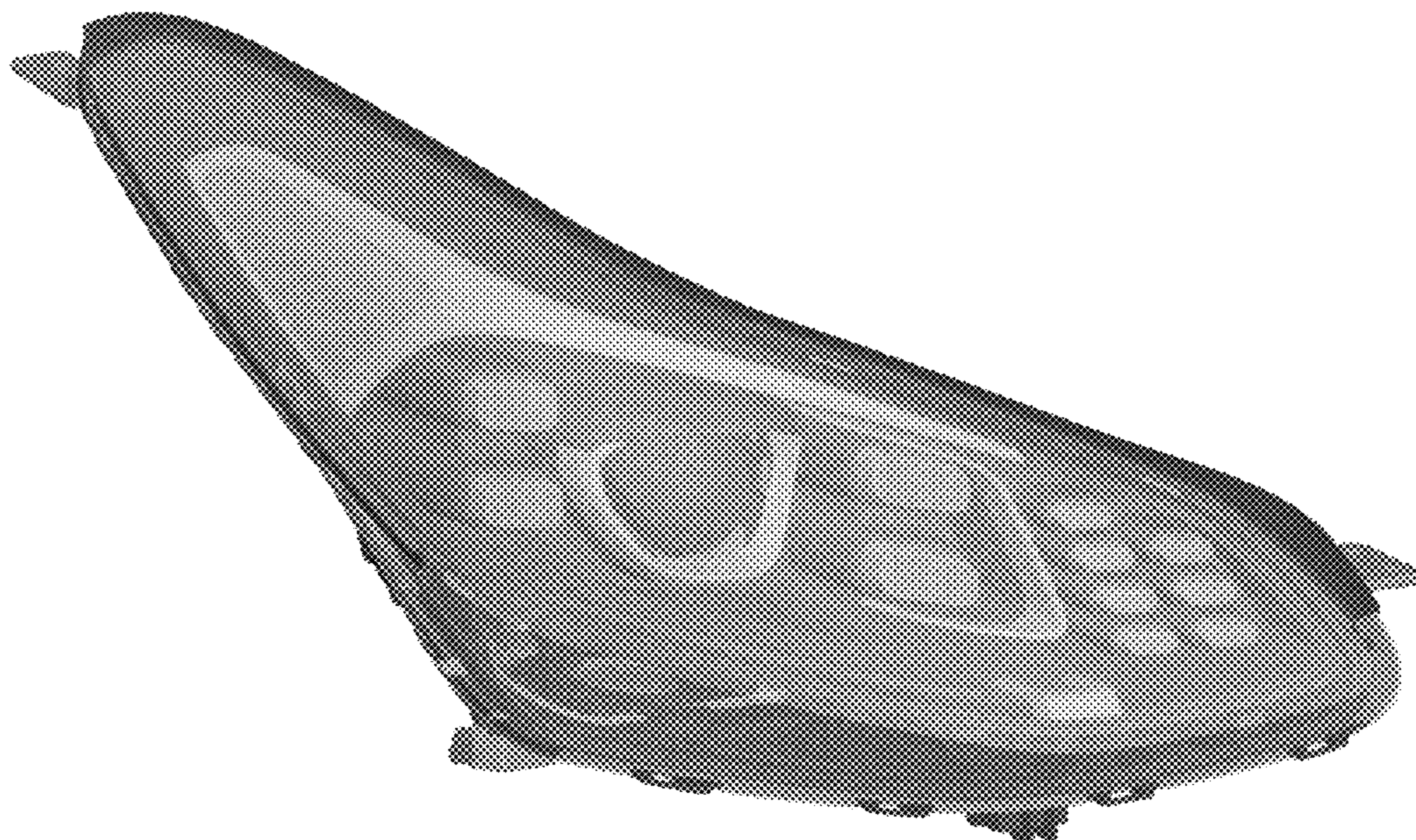
(30) **Foreign Application Priority Data**

DESCRIPTION

Apr. 13, 2018 (KR) 30-2018-0017484
(51) **LOC (12) Cl.** **26-06**
(52) **U.S. Cl.**
USPC **D26/28**
(58) **Field of Classification Search**
USPC D12/196; D26/28, 35, 36; D21/433
CPC .. F21S 41/00; F21S 41/20; F21S 41/30; F21S
43/14; F21S 43/15; F21S 43/20
See application file for complete search history.

- 1. Head lamp for an automobile
- 1.1 : Perspective
- 1.2 : Front
- 1.3 : Back
- 1.4 : Left
- 1.5 : Right
- 1.6 : Top
- 1.7 : Bottom

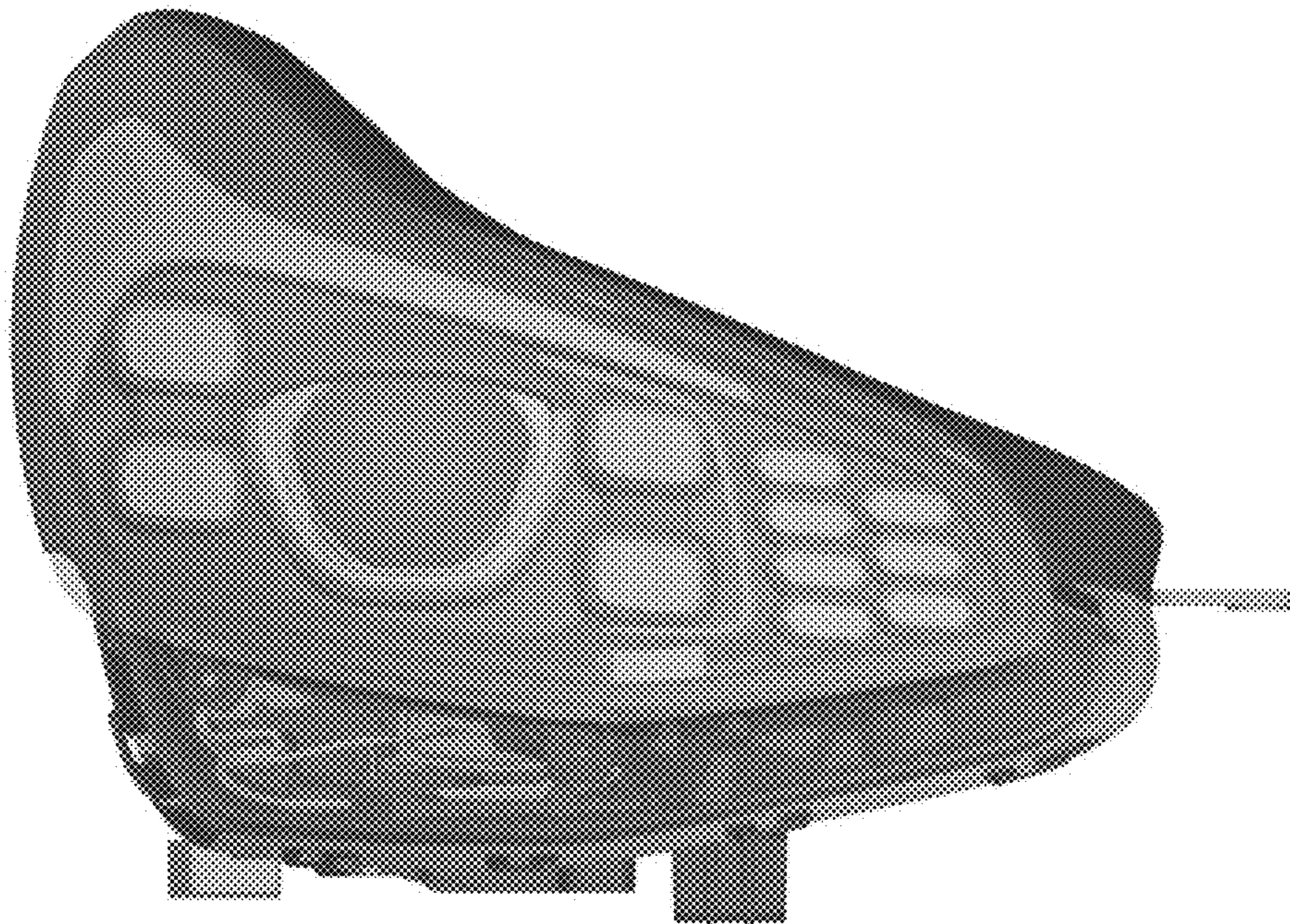
1 Claim, 7 Drawing Sheets



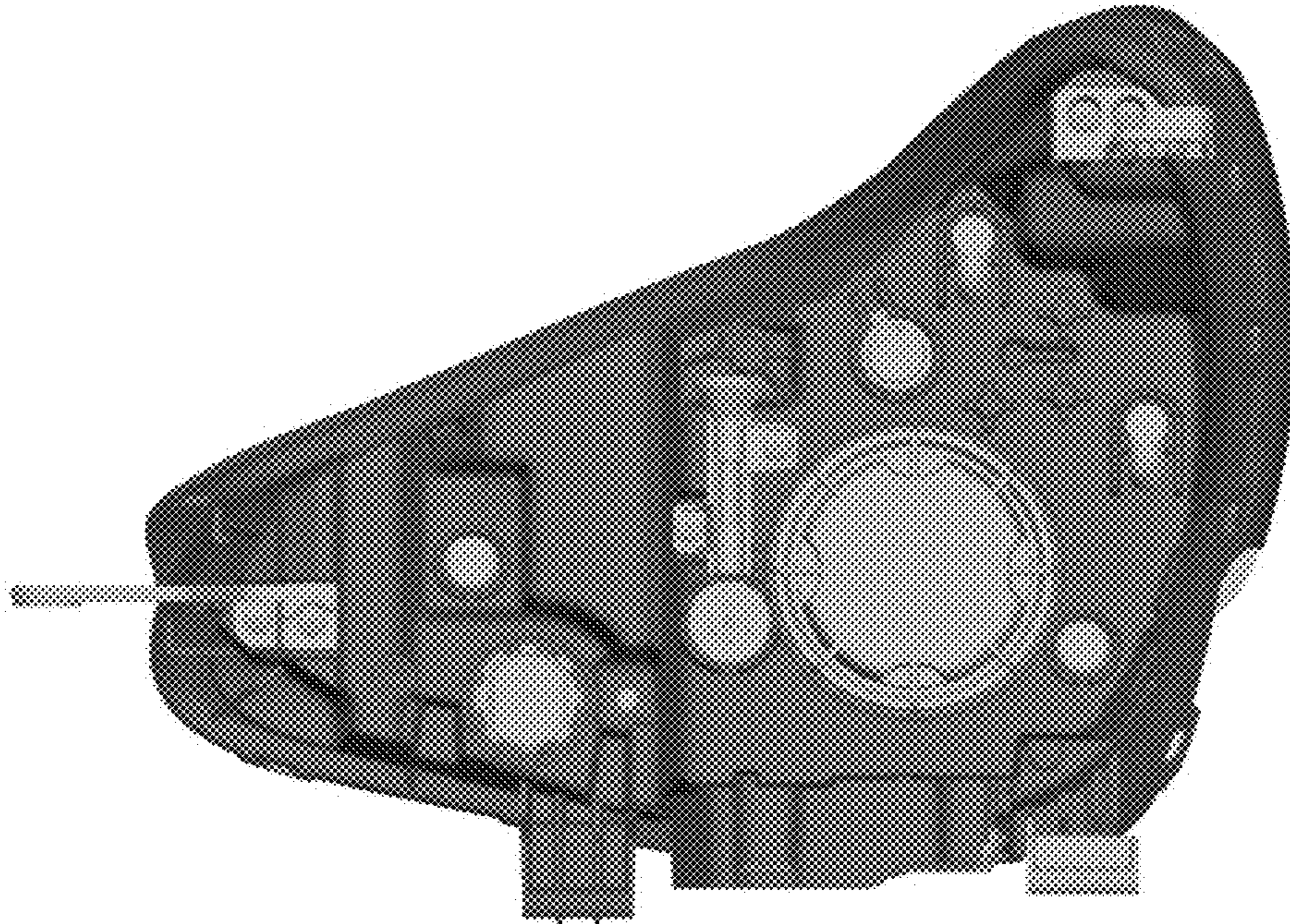
1.1



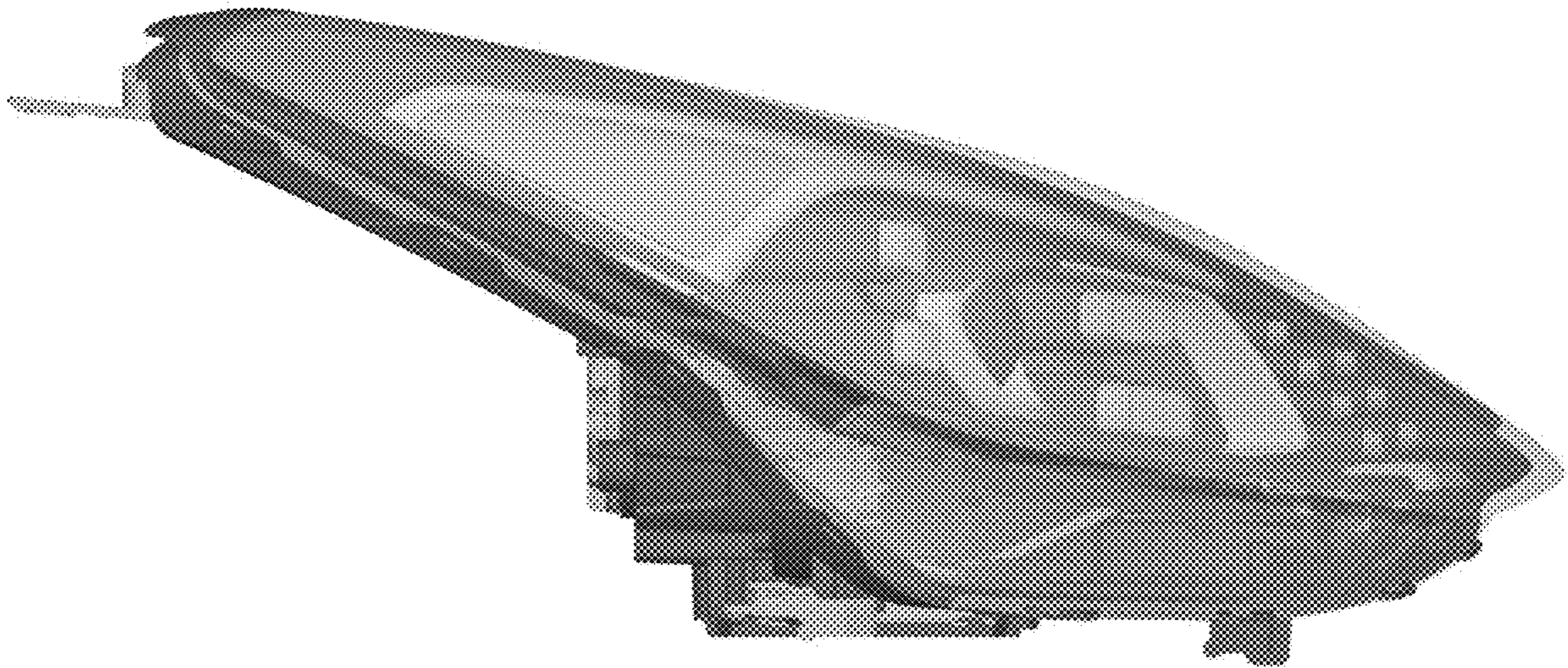
1.2



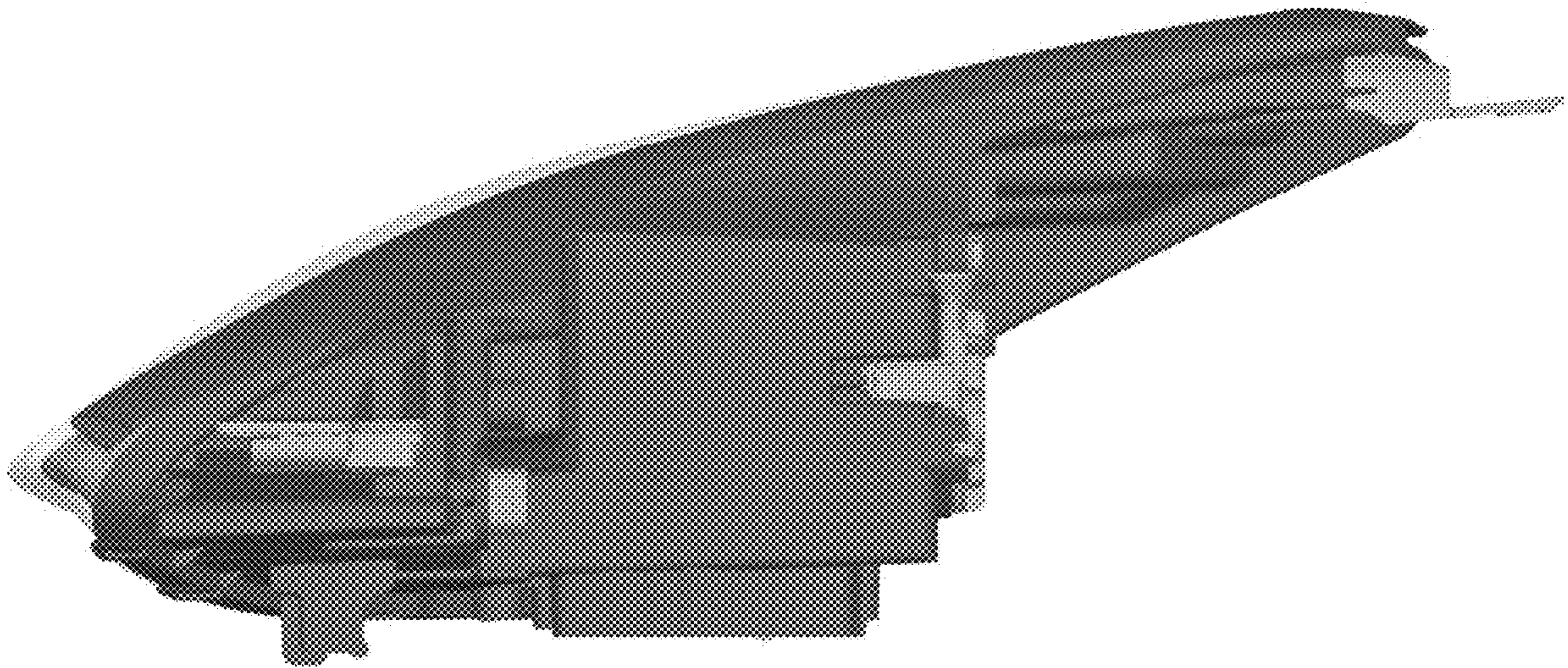
1.3



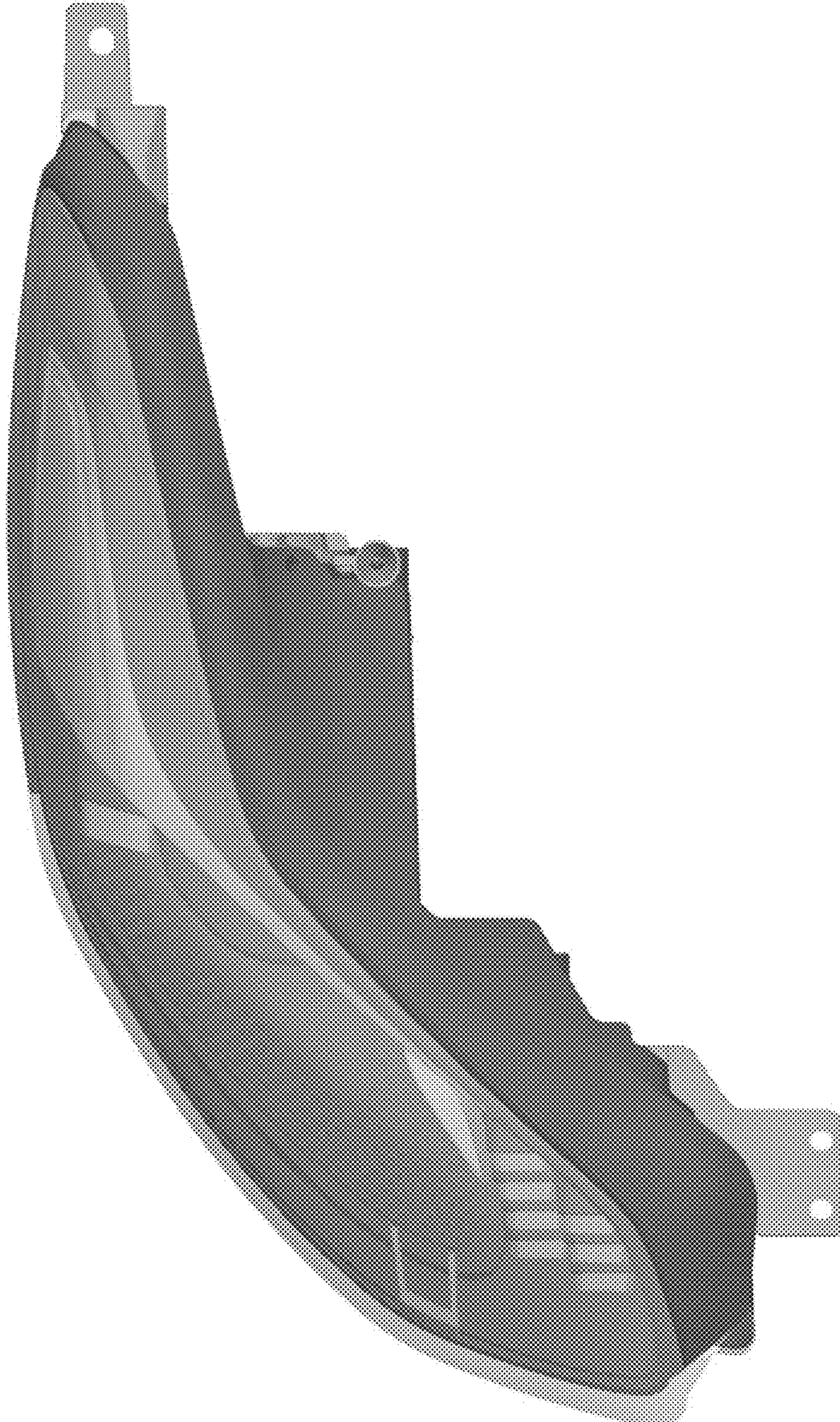
1.4



1.5



1.6



1.7

