



US00D872915S

(12) **United States Design Patent** (10) **Patent No.:** **US D872,915 S**  
**Han et al.** (45) **Date of Patent:** **\*\* Jan. 14, 2020**

(54) **REAR COMBINATION LAMP FOR AN AUTOMOBILE**

CPC .. F21S 41/00; F21S 41/20; F21S 41/30; F21S 43/14; F21S 43/15; F21S 43/20  
See application file for complete search history.

(71) Applicants: **HYUNDAI MOTOR COMPANY**, Seoul (KR); **KIA MOTORS CORPORATION**, Seoul (KR)

(56) **References Cited**

U.S. PATENT DOCUMENTS

(72) Inventors: **Jae Do Han**, Yongin-si (KR); **Keon Soo Jin**, Ulsan (KR); **Min Jae Kwon**, Seoul (KR); **Sung Uk Choi**, Suwon-si (KR); **Byung Ho Kong**, Seoul (KR)

D776,313 S *	1/2017	Han	.....	D26/28
D777,960 S *	1/2017	Han	.....	D26/28
D844,190 S *	3/2019	Nordmann	.....	D26/28
D844,192 S *	3/2019	Nordmann	.....	D26/28
D858,817 S *	9/2019	Henriques	.....	D26/28
D858,818 S *	9/2019	McMahan	.....	D26/28

(73) Assignees: **Hyundai Motor Company**, Seoul (KR); **Kia Motors Corporation**, Seoul (KR)

\* cited by examiner

(\*\*) Term: **15 Years**

*Primary Examiner* — Robert M. Spear

(21) Appl. No.: **35/506,229**

(74) *Attorney, Agent, or Firm* — Mintz Levin Cohn Ferris Glovsky and Popeo, P.C.; Peter F. Corless; Carolina E. Säve

(22) Filed: **Jun. 18, 2018**

(57) **CLAIM**

(80) **Hague Agreement Data**

Int. Filing Date: **Jun. 18, 2018**  
Int. Reg. No.: **DM/101746**  
Int. Reg. Date: **Jun. 18, 2018**  
Int. Reg. Pub. Date: **Dec. 21, 2018**

The ornamental design for rear combination lamp for an automobile, as shown and described.

**DESCRIPTION**

(30) **Foreign Application Priority Data**

Apr. 13, 2018 (KR) ..... 30-2018-0017482

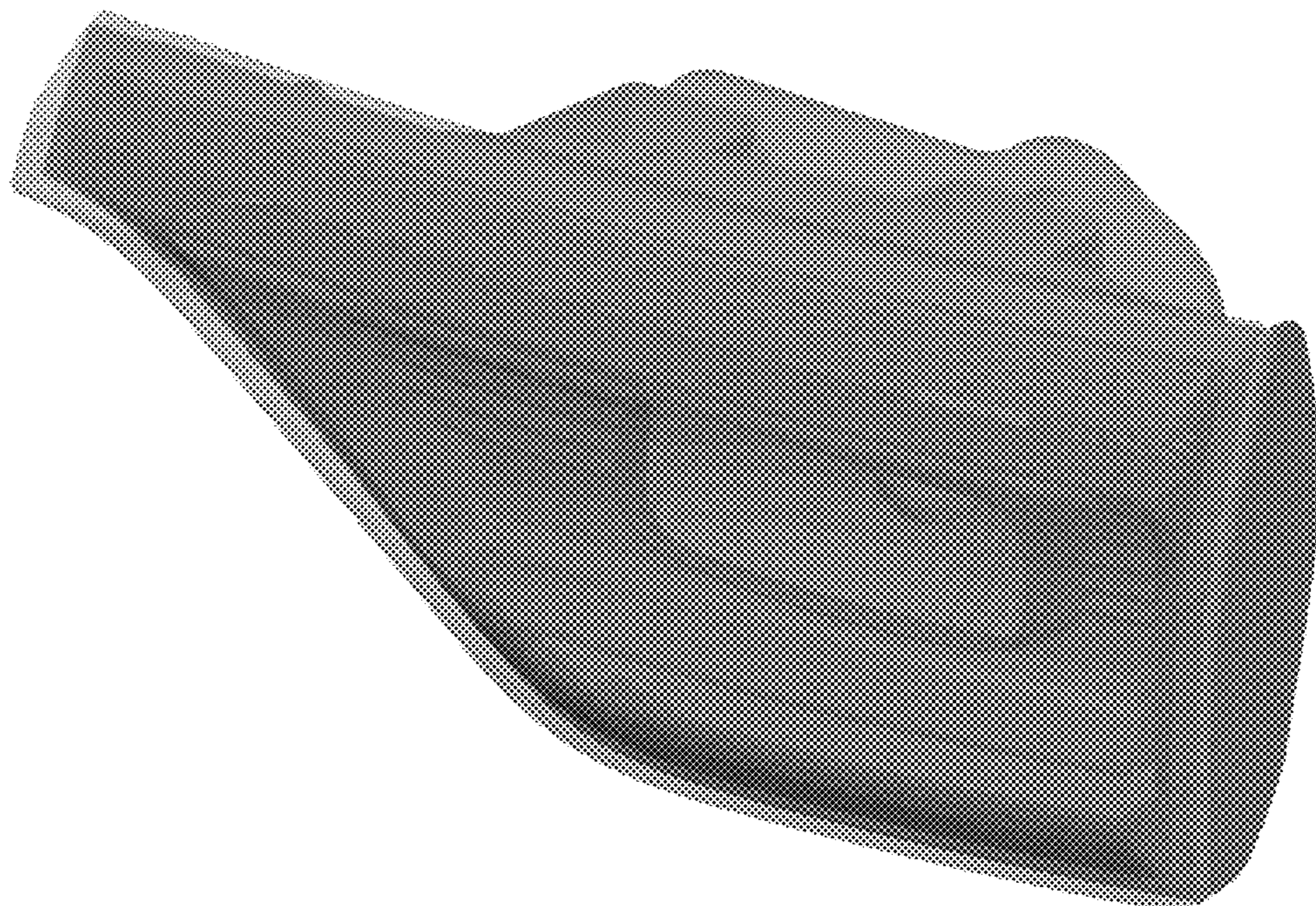
(51) **LOC (12) Cl.** ..... **26-06**

(52) **U.S. Cl.** ..... **D26/28**  
USPC .....

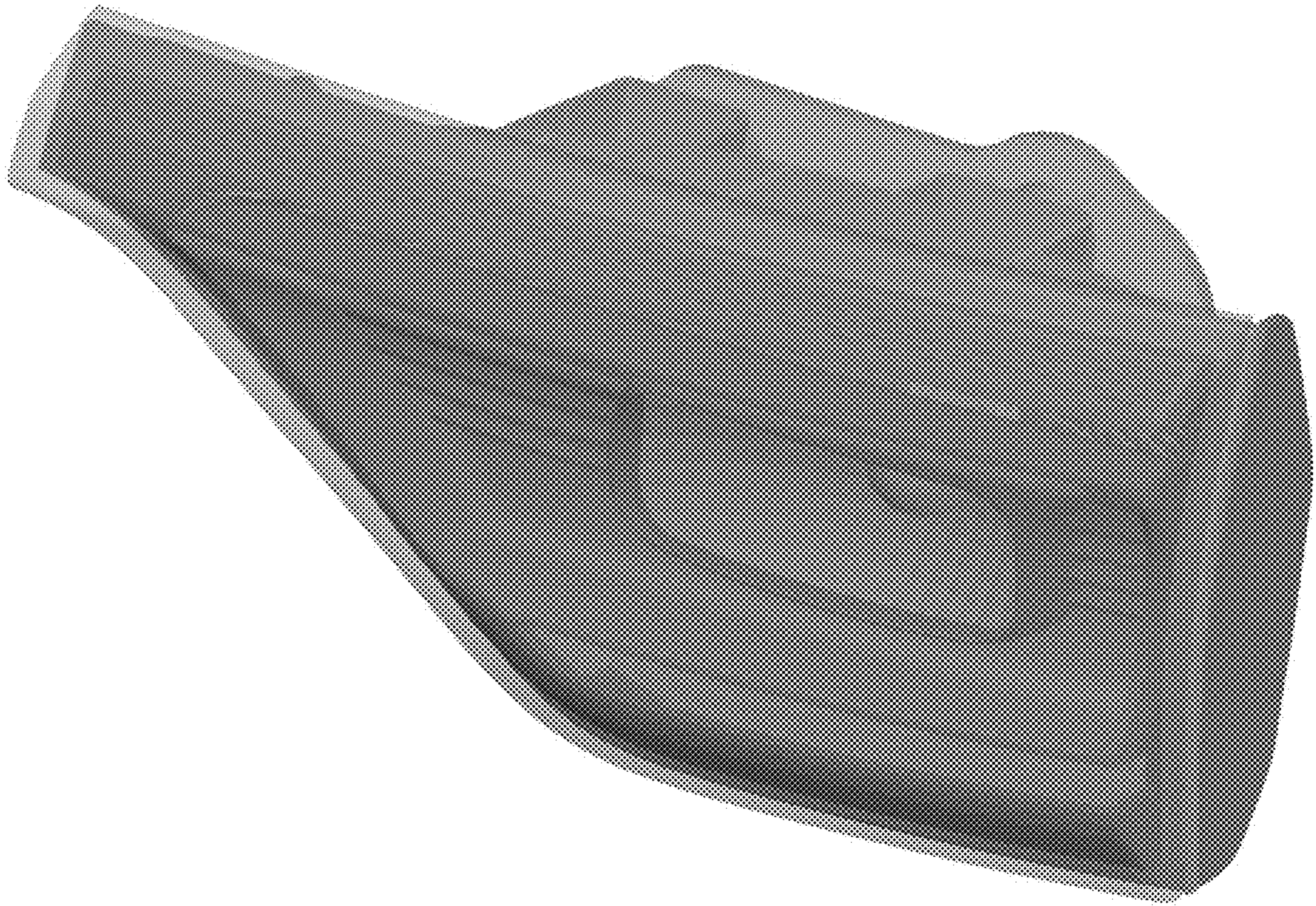
(58) **Field of Classification Search**  
USPC ..... D12/196; D26/28, 35, 36; D21/433

1. Rear combination lamp for an automobile
- 1.1 : Perspective
- 1.2 : Front
- 1.3 : Back
- 1.4 : Left
- 1.5 : Right
- 1.6 : Top
- 1.7 : Bottom

**1 Claim, 7 Drawing Sheets**



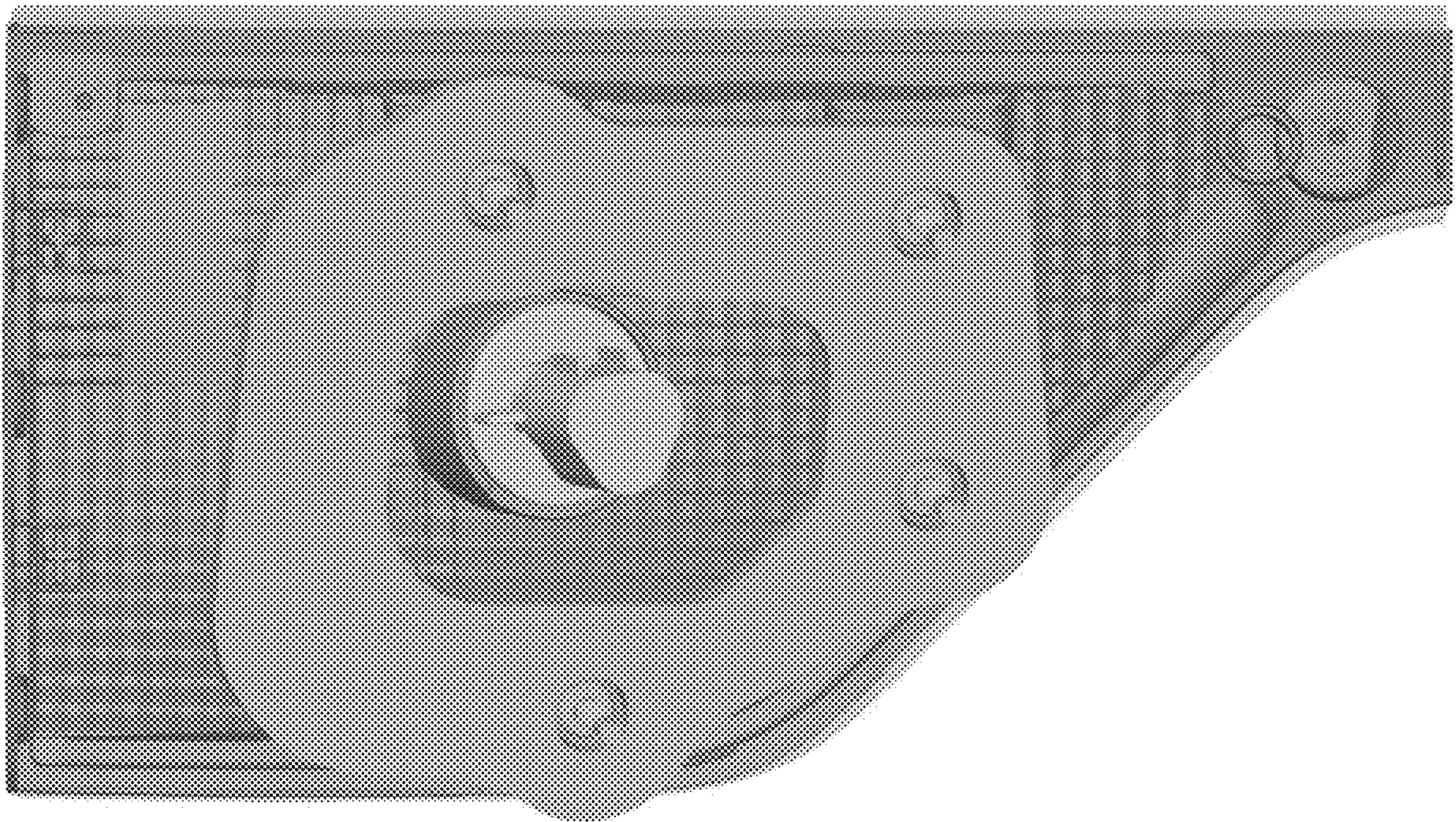
1.1



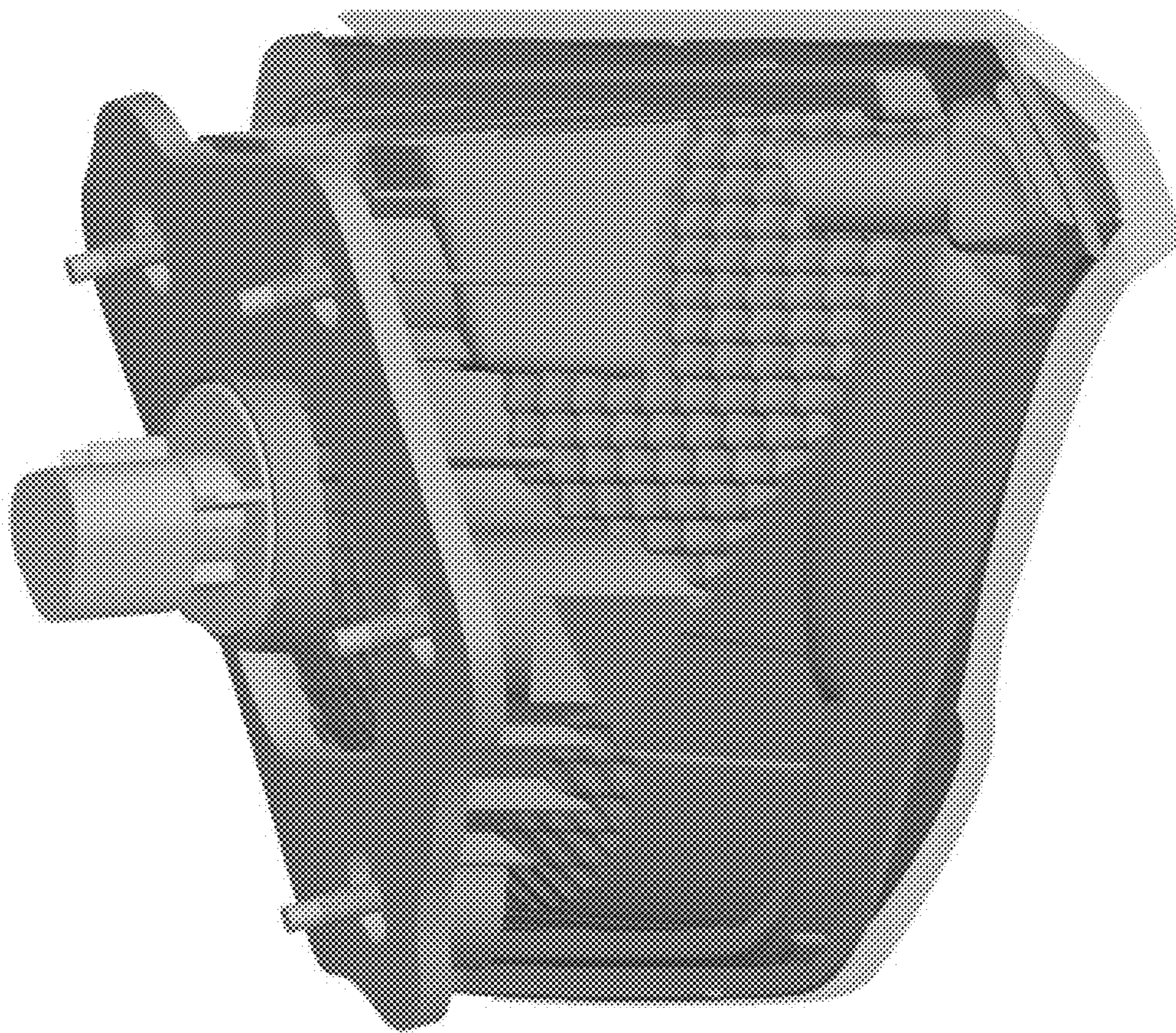
1.2



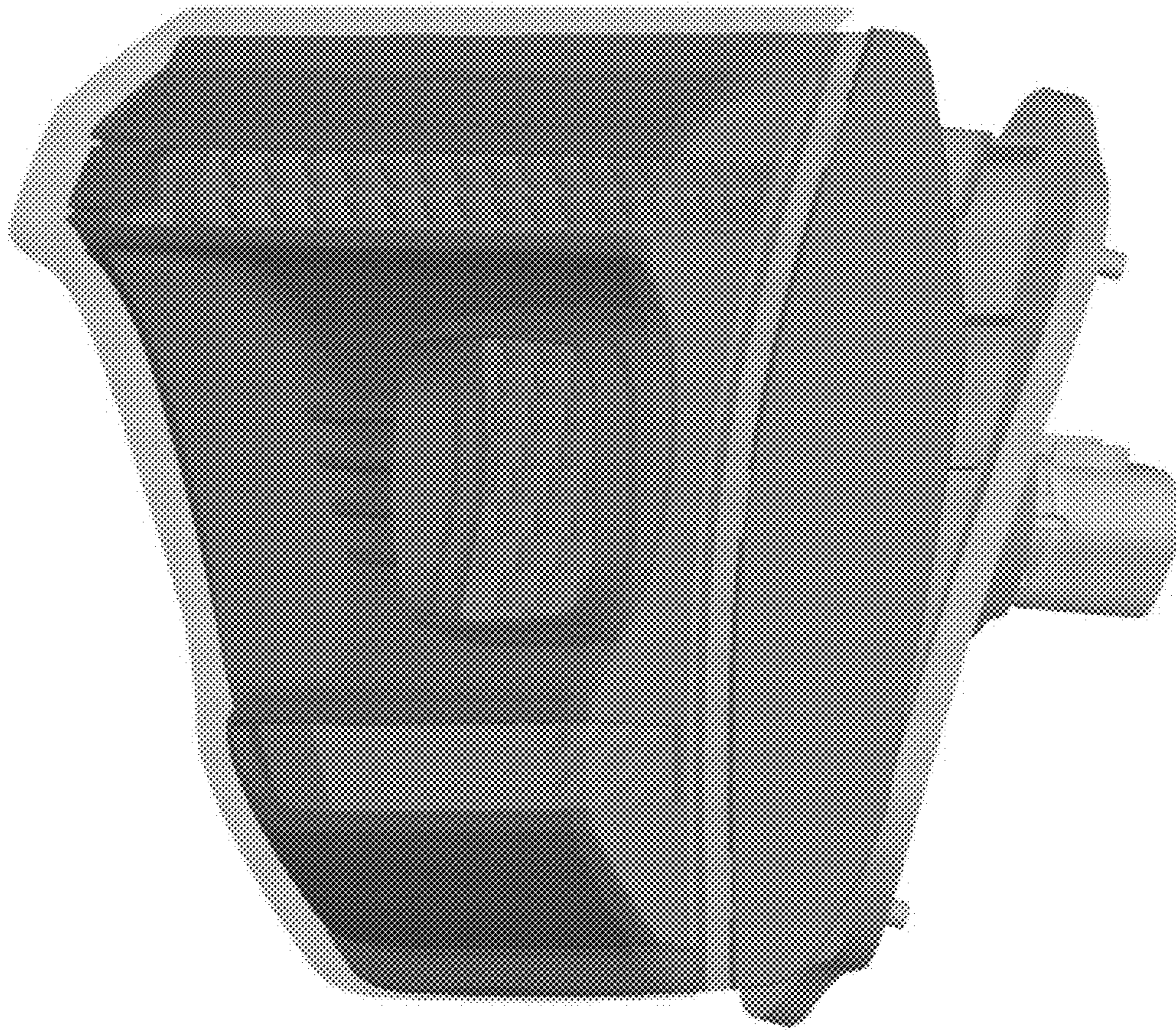
1.3



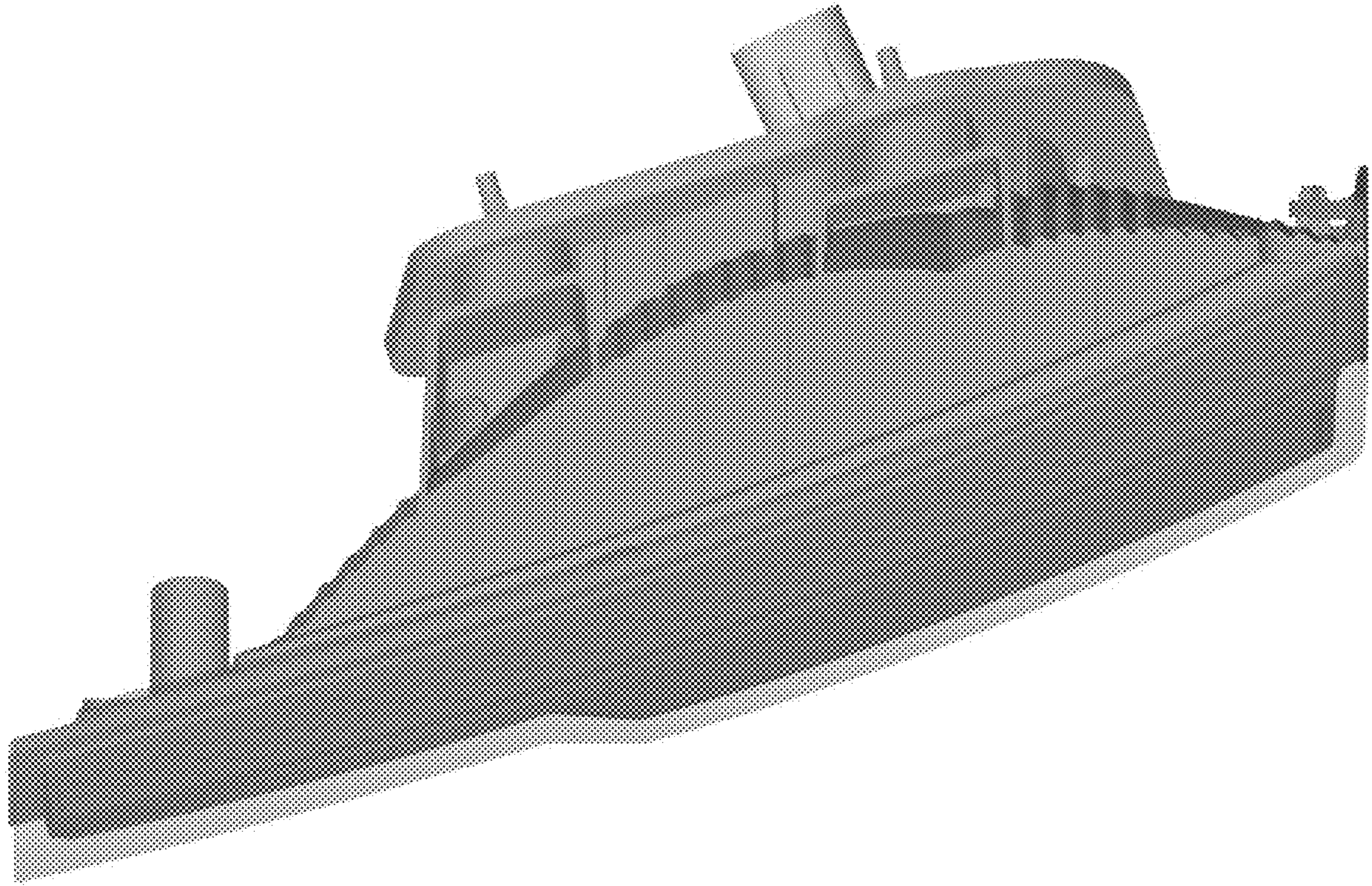
1.4



1.5



1.6



1.7

