

US00D872913S

(12) **United States Design Patent** (10) **Patent No.:** **US D872,913 S**
Ye (45) **Date of Patent:** **** Jan. 14, 2020**

(54) **BUMPER HEADLIGHT ASSEMBLY FOR GOLF CAR**

(71) Applicant: **Chongqing Richland Mold Corp., Chongqing (CN)**

(72) Inventor: **Lin Ye, Chongqing (CN)**

(73) Assignee: **CHONGQING RICHLAND MOLD CORP., Chongqing (CN)**

(**) Term: **15 Years**

(21) Appl. No.: **29/668,953**

(22) Filed: **Nov. 2, 2018**

(51) **LOC (12) Cl.** **26-06**

(52) **U.S. Cl.**
USPC **D26/28**

(58) **Field of Classification Search**
USPC D26/28-36; 345/459-468, 475-478, 345/485-487

CPC F21S 48/00; F21S 48/10; F21S 48/115; F21S 48/225; F21S 48/1233; F21S 48/1266; F21S 48/1388; F21S 48/2268; F21V 21/04

See application file for complete search history.

(56) **References Cited**

U.S. PATENT DOCUMENTS

D560,828 S * 1/2008 Martinez D26/28
D568,501 S * 5/2008 Nakazawa D26/28

D596,767 S * 7/2009 Idei D26/28
D602,617 S * 10/2009 Kogo D26/28
D638,151 S * 5/2011 Hung D26/28
D713,072 S * 9/2014 Phutrakool D26/28
D713,573 S * 9/2014 Futamata D26/28
D740,977 S * 10/2015 Shibuta D26/28
D748,832 S * 2/2016 Huang D26/28
D773,698 S * 12/2016 Yamada D26/28
D773,699 S * 12/2016 Yamada D26/28
D796,087 S * 8/2017 Futamata D26/28
D805,010 S * 12/2017 Ye D12/171

* cited by examiner

Primary Examiner — Angela J Lee

(74) *Attorney, Agent, or Firm* — Cheng-Ju Chiang

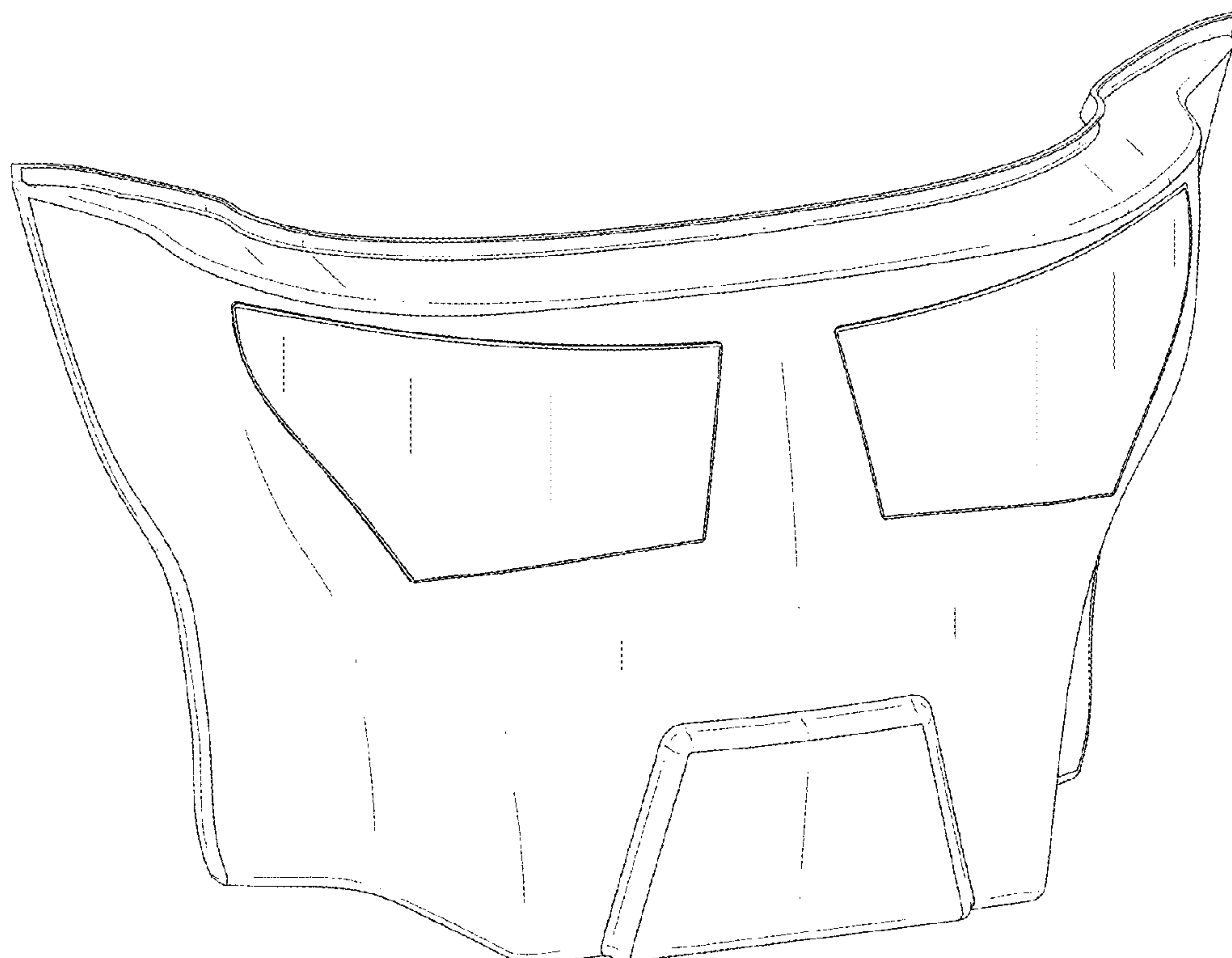
(57) **CLAIM**

The ornamental design for a bumper headlight assembly for golf car, as shown and described.

DESCRIPTION

FIG. 1 is a front, left and top perspective view of a bumper headlight assembly for golf car showing my new design; FIG. 2 is a rear, right and bottom perspective view thereof. FIG. 3 is a front elevational view thereof. FIG. 4 is a back elevational view thereof; FIG. 5 is a left side elevational view thereof; FIG. 6 is a right side elevational view thereof; FIG. 7 is a top plan view thereof; and, FIG. 8 is a bottom plan view thereof. The broken line portion of the drawings is included to show unclaimed subject matter only and forms no part of the claimed design.

1 Claim, 8 Drawing Sheets



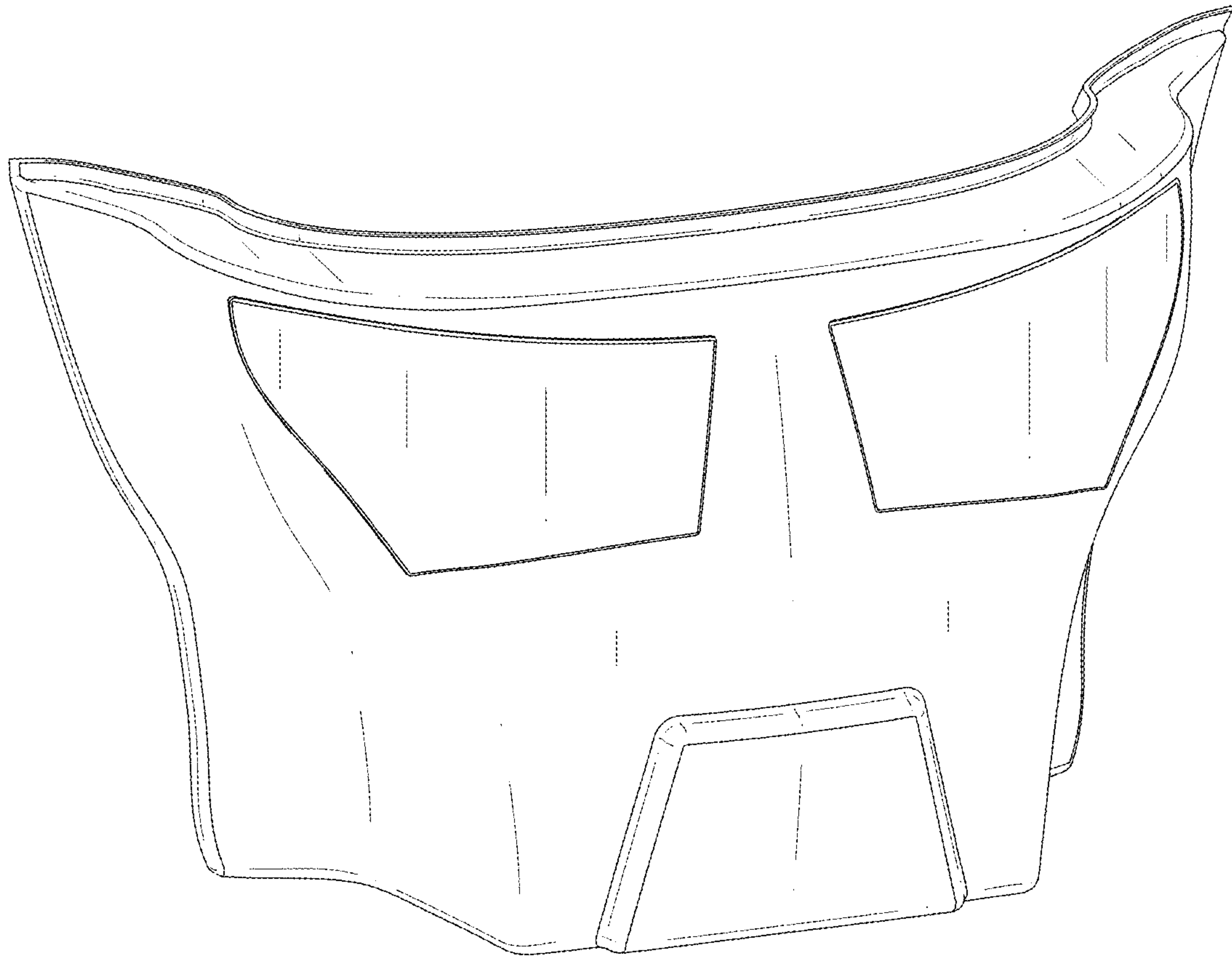


FIG. 1

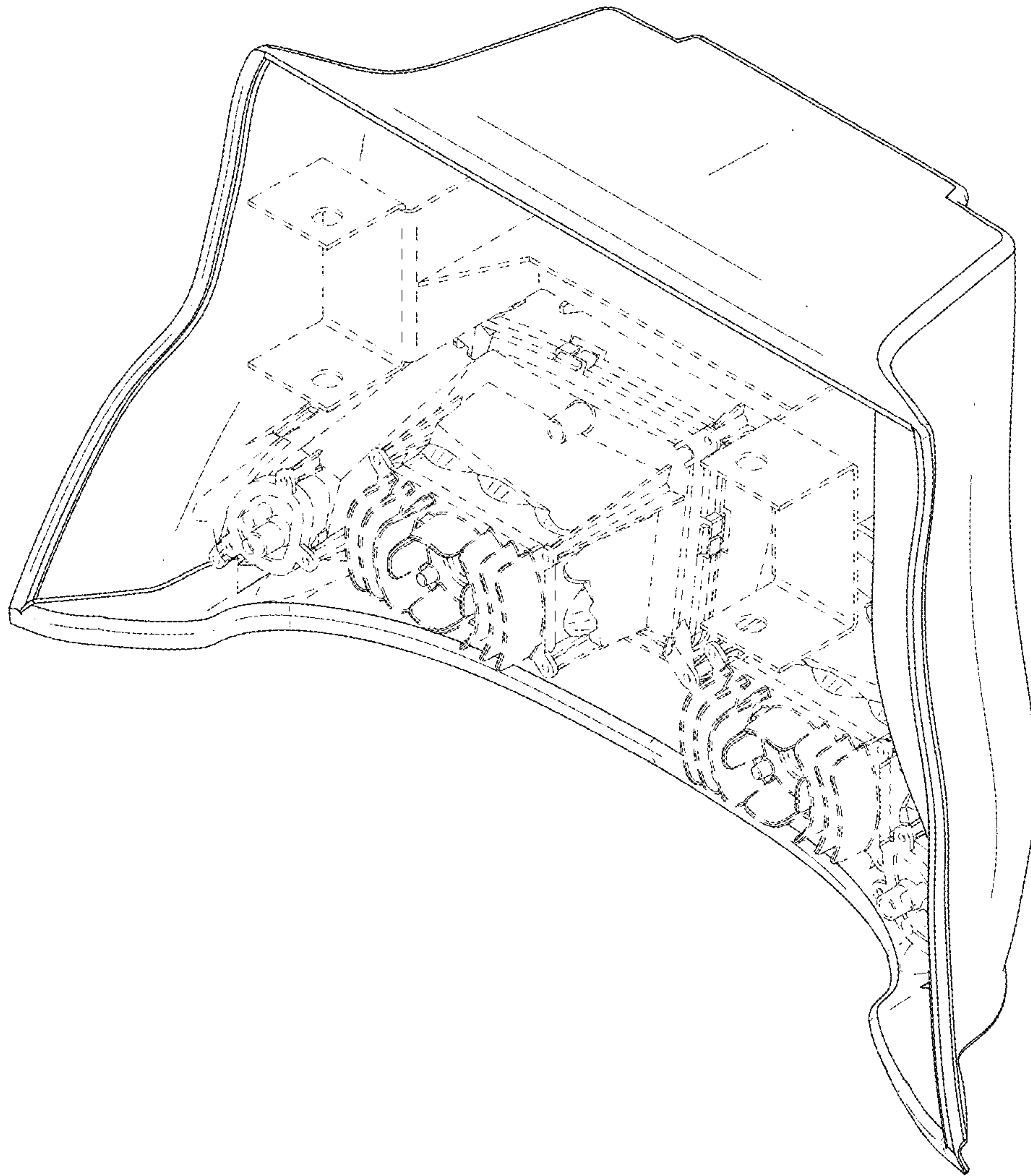


FIG. 2

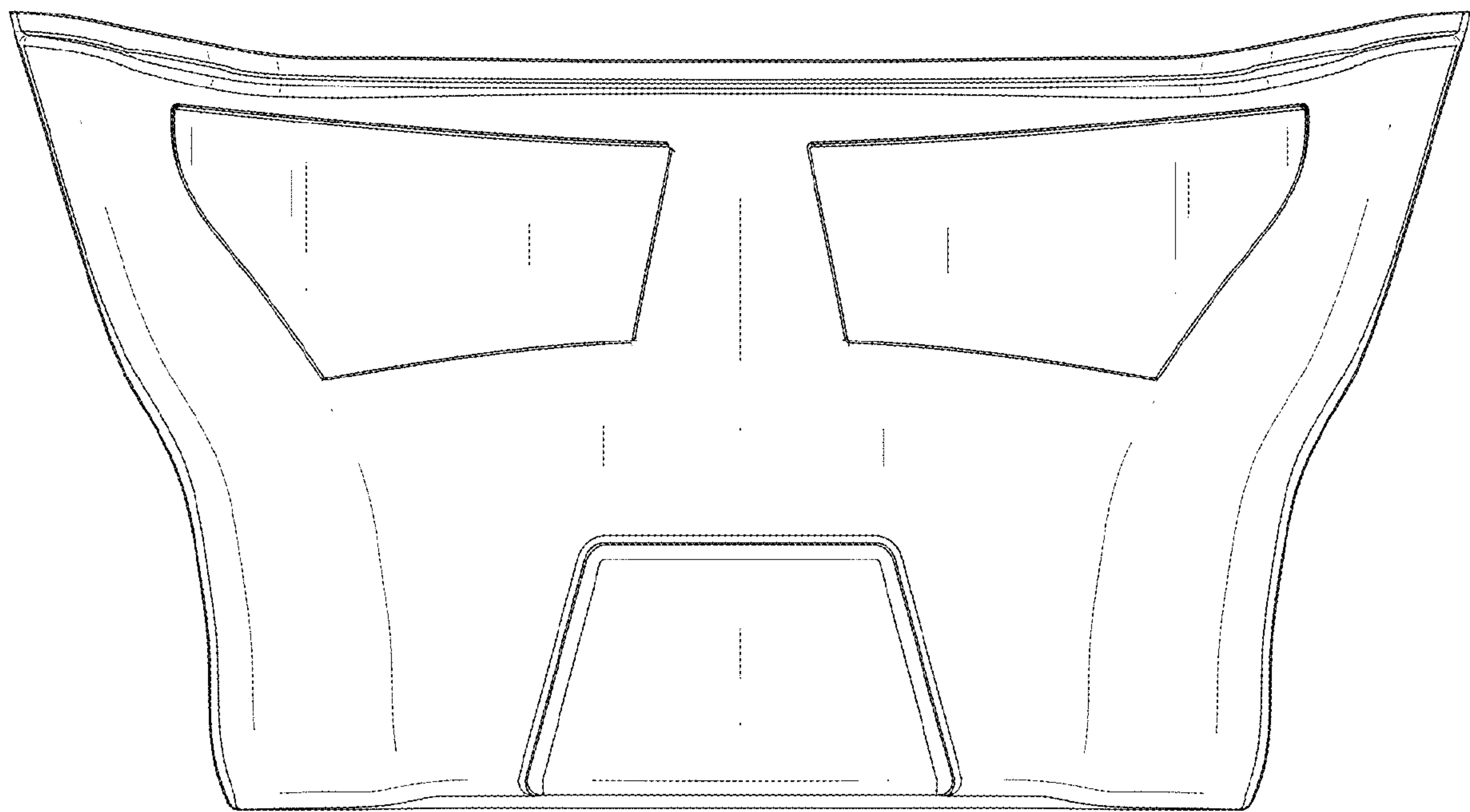


FIG. 3

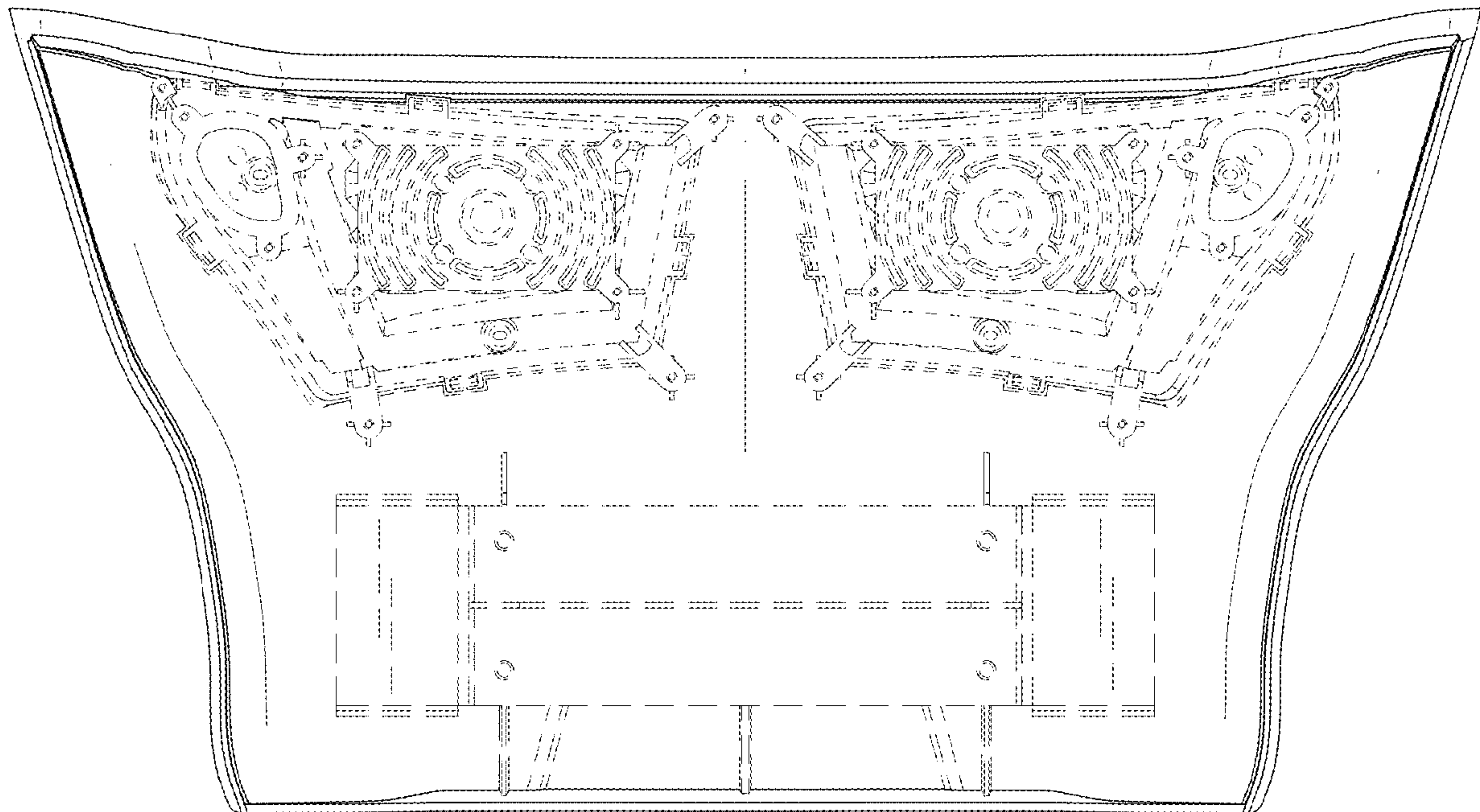


FIG. 4

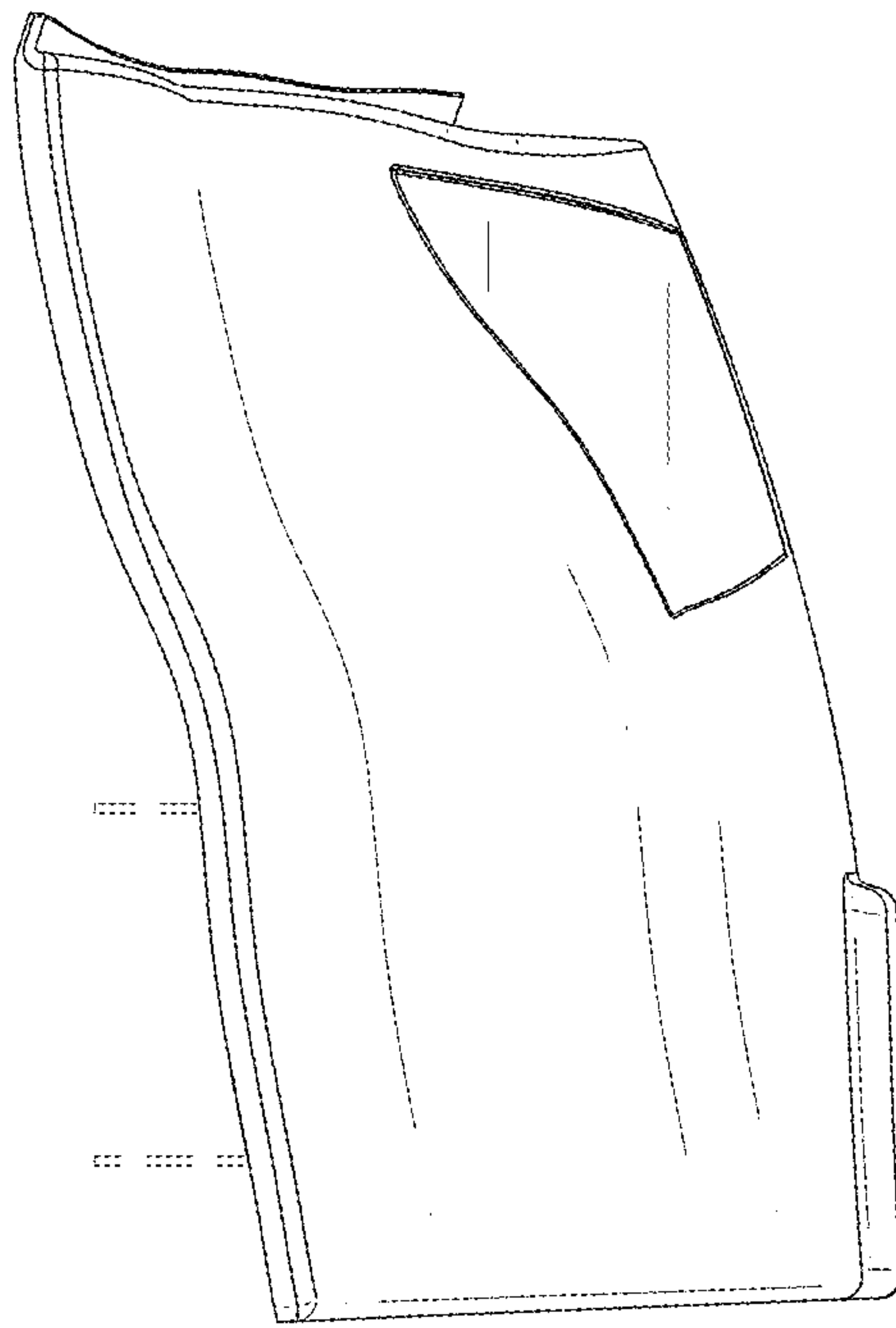


FIG. 5

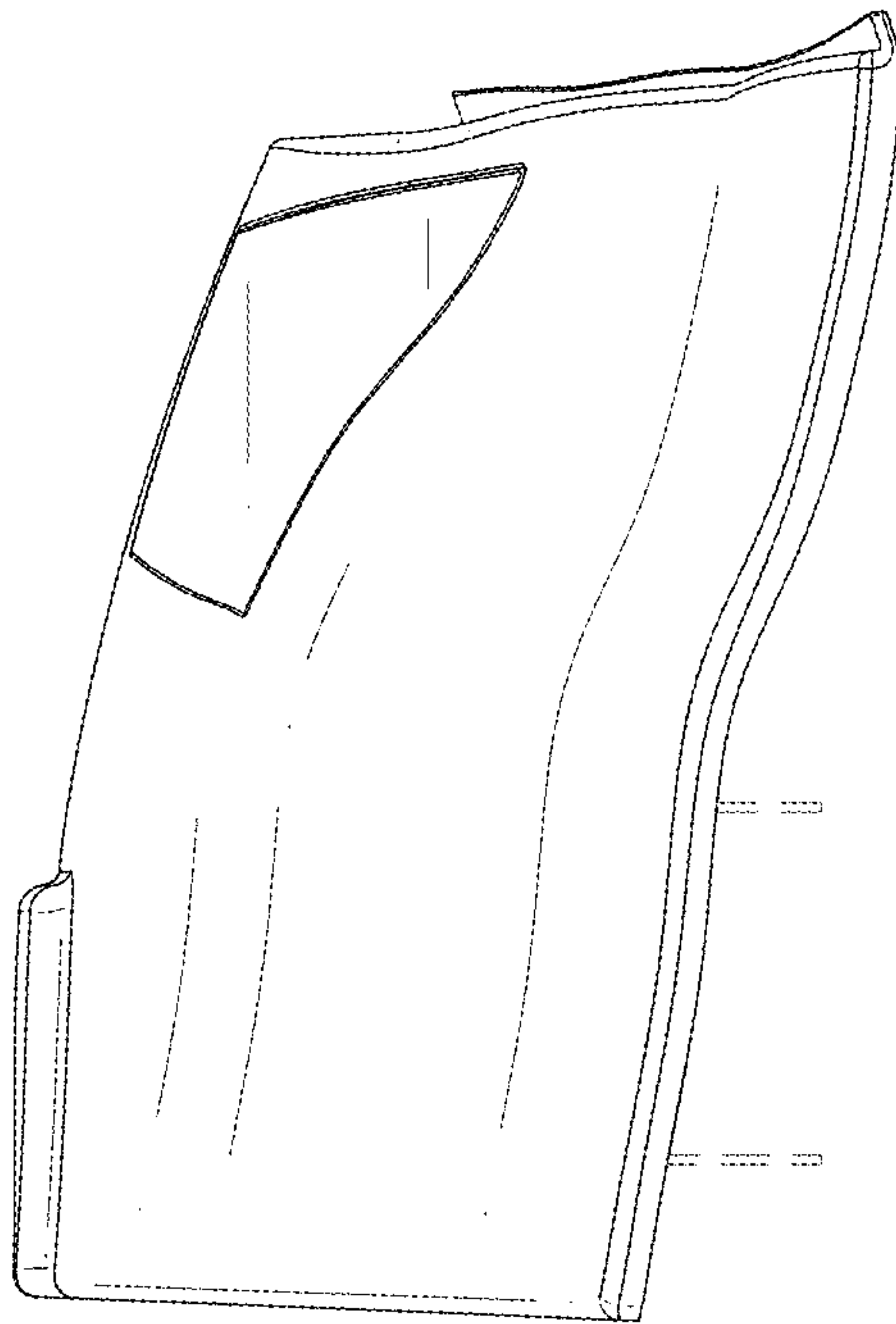


FIG. 6

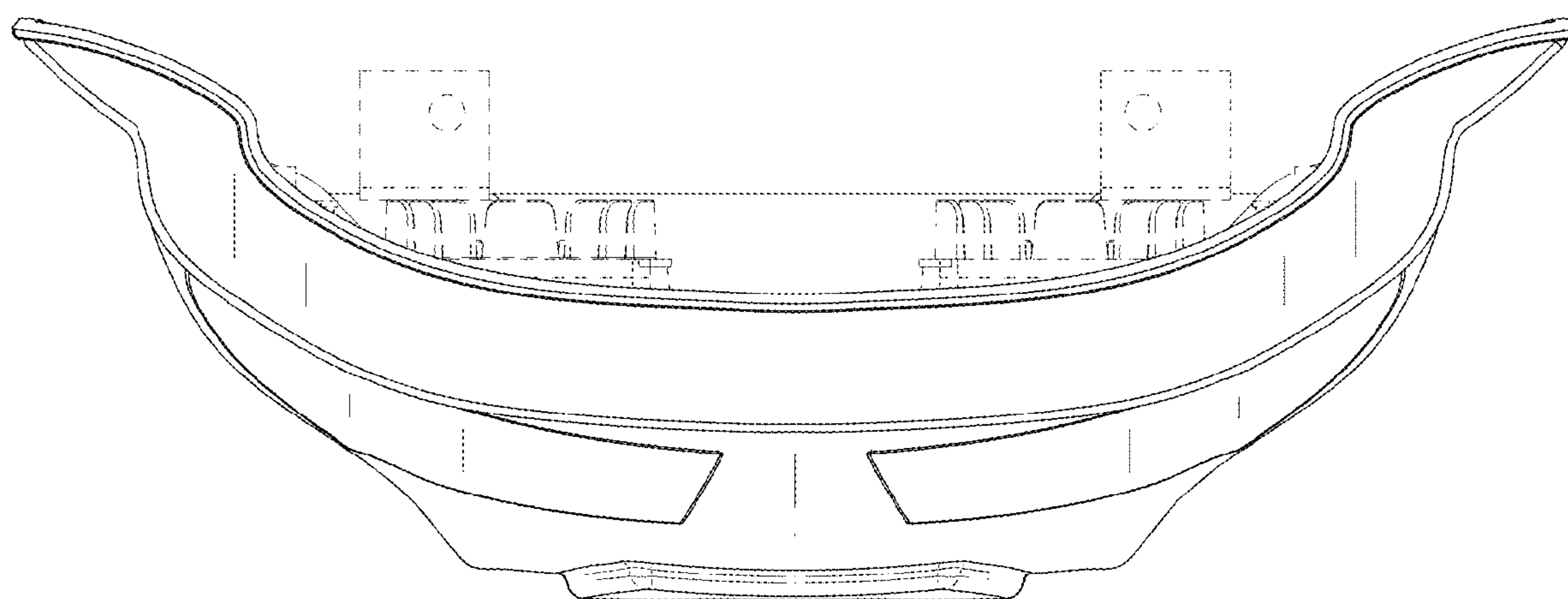


FIG. 7

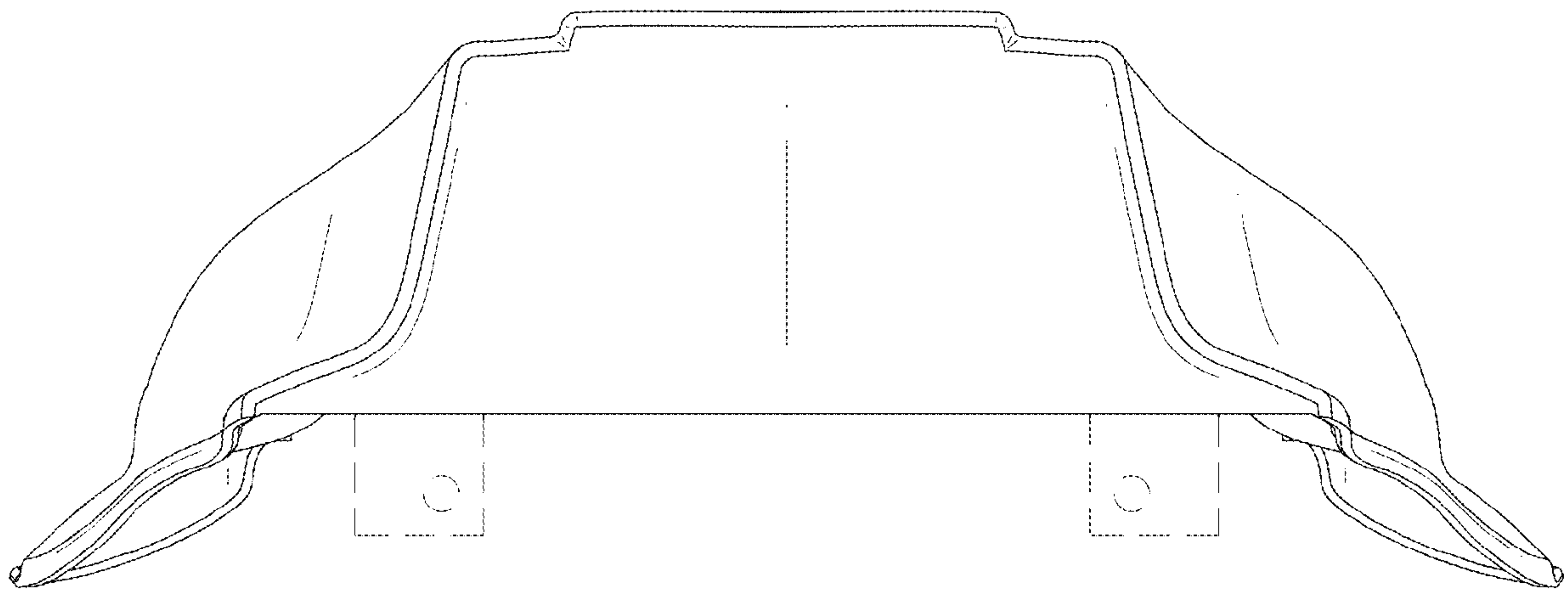


FIG. 8