



US00D872912S

(12) **United States Design Patent**
Wu

(10) **Patent No.:** **US D872,912 S**
(45) **Date of Patent:** **** Jan. 14, 2020**

(54) **LED NIGHT LIGHT**

(71) Applicant: **Xun Wu**, Fuzhou (CN)

(72) Inventor: **Xun Wu**, Fuzhou (CN)

(**) Term: **15 Years**

(21) Appl. No.: **29/659,599**

(22) Filed: **Aug. 10, 2018**

(51) **LOC (12) Cl.** **26-05**

(52) **U.S. Cl.**
USPC **D26/26**

(58) **Field of Classification Search**
USPC D26/26, 24, 113, 118, 119, 120;
D23/366, 367, 369; 362/640-644,
362/650-653, 659

CPC F21S 8/035; F21V 23/06; F21V 23/0442;
F21W 2121/00; H01R 2103/00

See application file for complete search history.

(56) **References Cited**

U.S. PATENT DOCUMENTS

D352,564 S	*	11/1994	Marischen	D26/26
D376,436 S	*	12/1996	Emmerling	D26/26
D377,535 S	*	1/1997	Shulman	D26/26
5,662,408 A	*	9/1997	Marischen	F21S 8/035
					362/253
D392,756 S	*	3/1998	Hanig	D26/26
D403,442 S	*	12/1998	Joss	D26/26

D426,657 S	*	6/2000	Joss	D26/26
D435,124 S	*	12/2000	Yuen	D26/26
D524,461 S	*	7/2006	Molenaar	D26/26
D526,422 S	*	8/2006	Yuen	D26/26
D821,615 S	*	6/2018	Trice	D26/26
D861,930 S	*	10/2019	Wu	D26/26

FOREIGN PATENT DOCUMENTS

EM 005226735-0002 * 4/2018

* cited by examiner

Primary Examiner — Angela J Lee

(74) *Attorney, Agent, or Firm* — Erson IP (Nelson IP)

(57) **CLAIM**

The ornamental design for an LED night light, as shown and described.

DESCRIPTION

FIG. 1 is a perspective view of an LED night light showing my new design;

FIG. 2 is another perspective view thereof;

FIG. 3 is a front view thereof;

FIG. 4 is a rear view thereof;

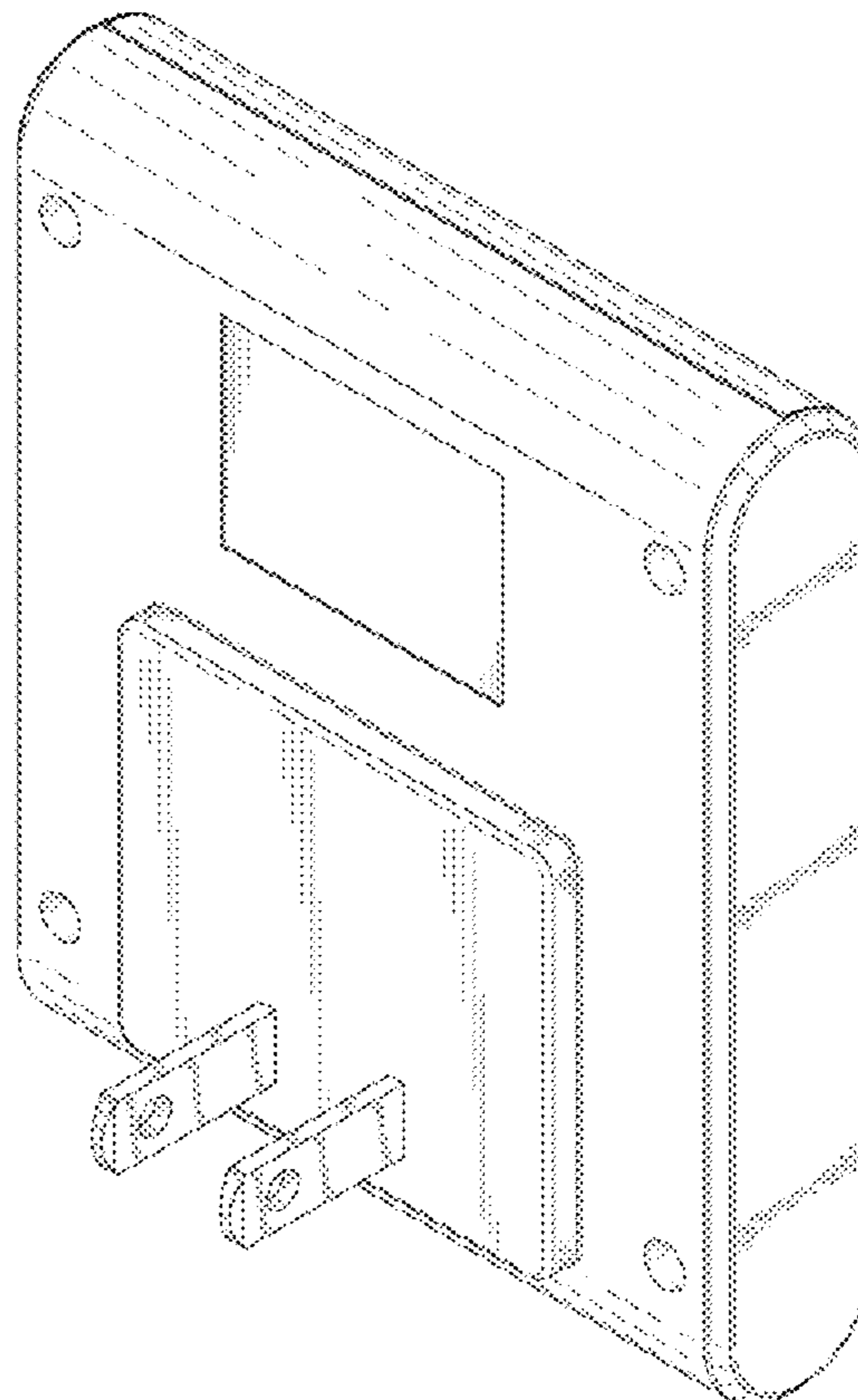
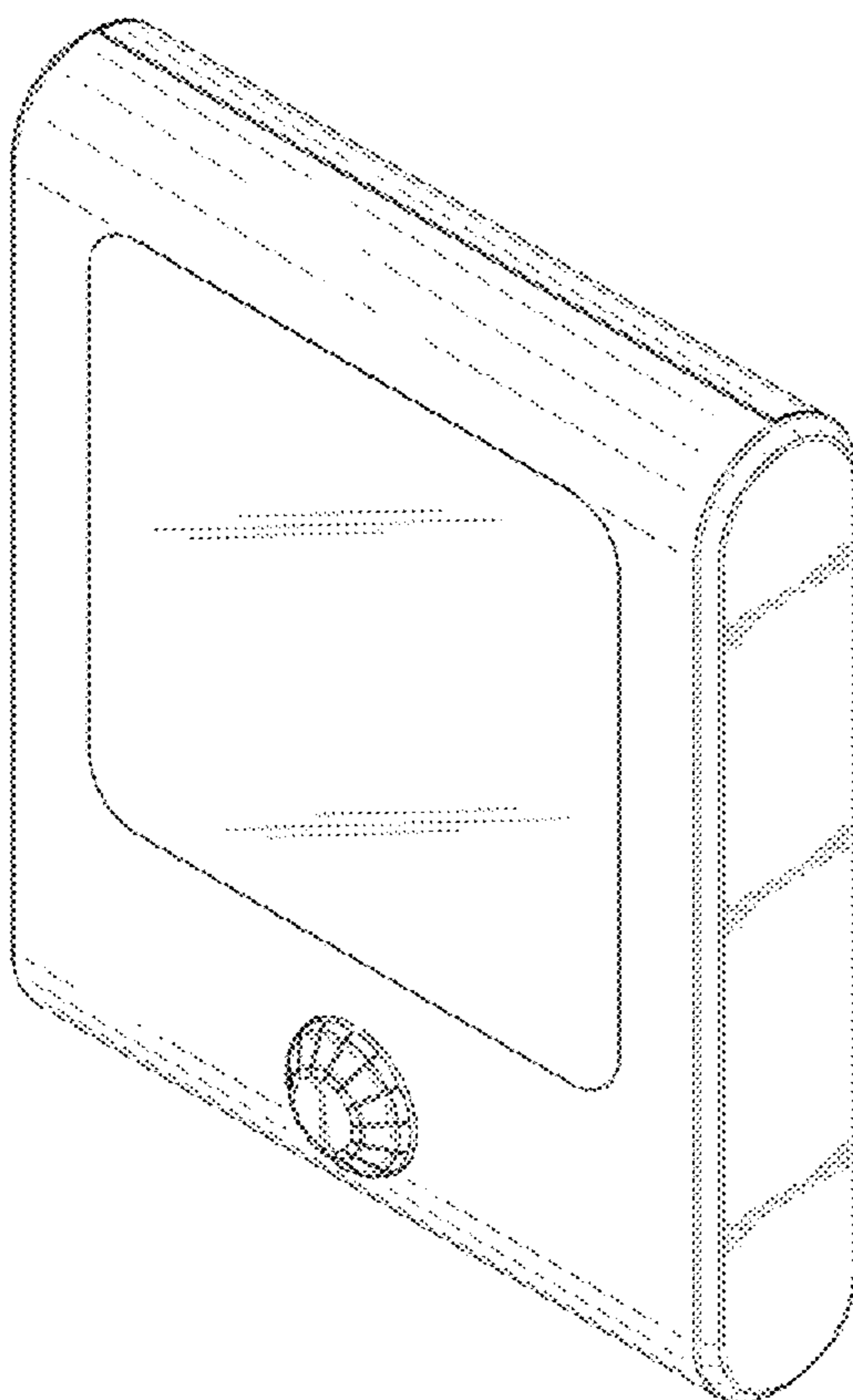
FIG. 5 is a left side view thereof;

FIG. 6 is a right side view thereof;

FIG. 7 is a top plan view thereof; and,

FIG. 8 is a bottom plan view thereof.

1 Claim, 8 Drawing Sheets



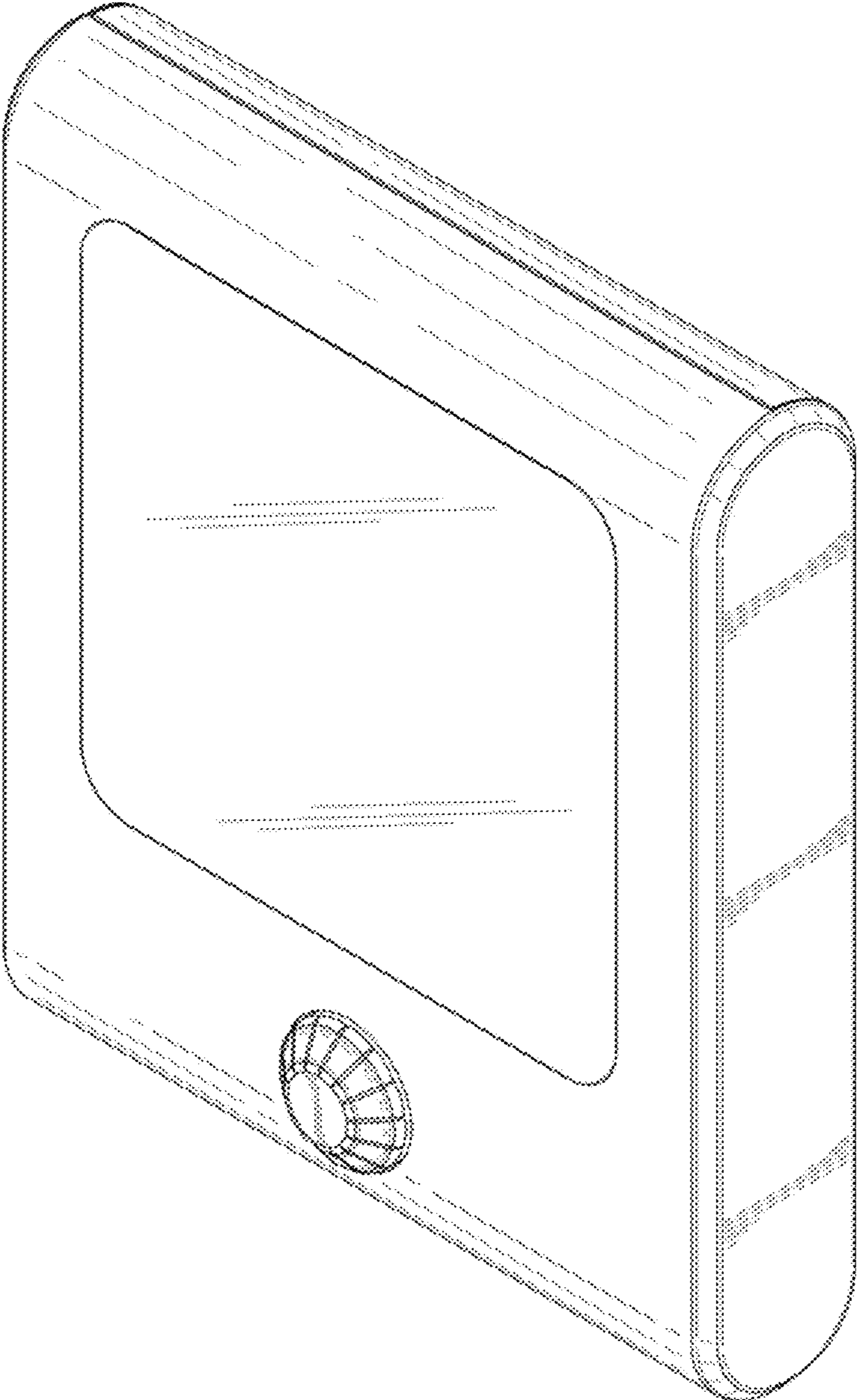


Fig. 1

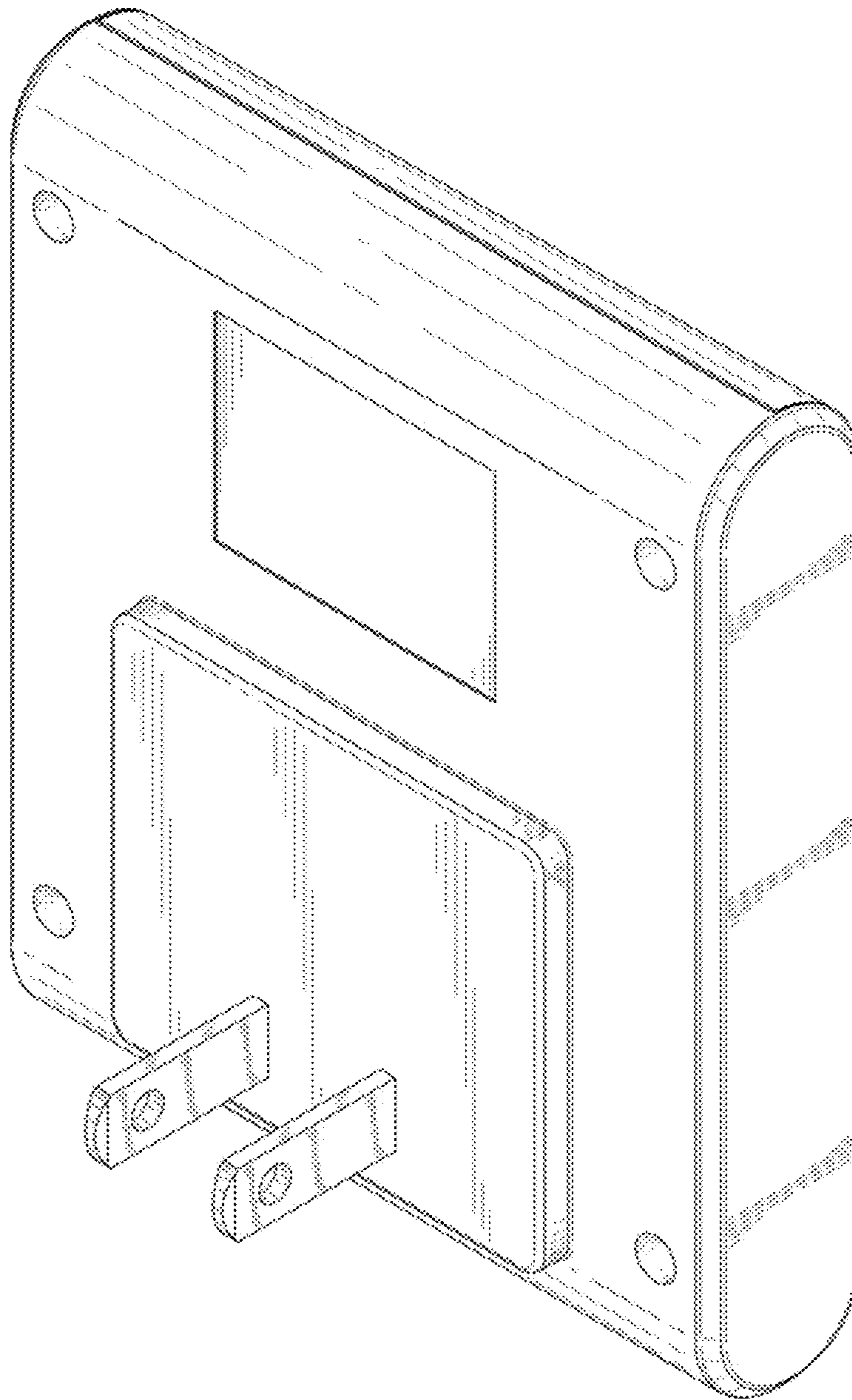


Fig. 2

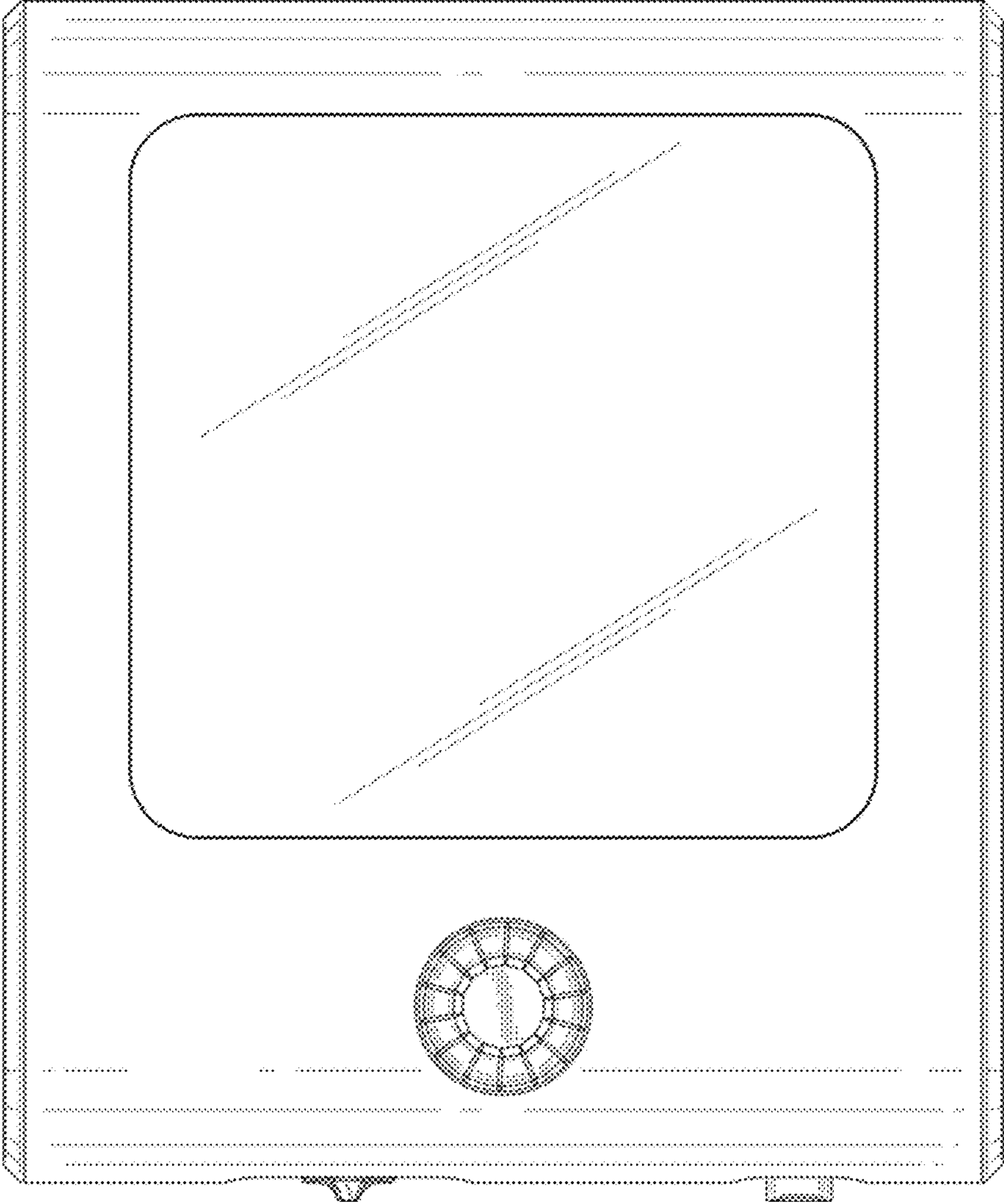


Fig. 3

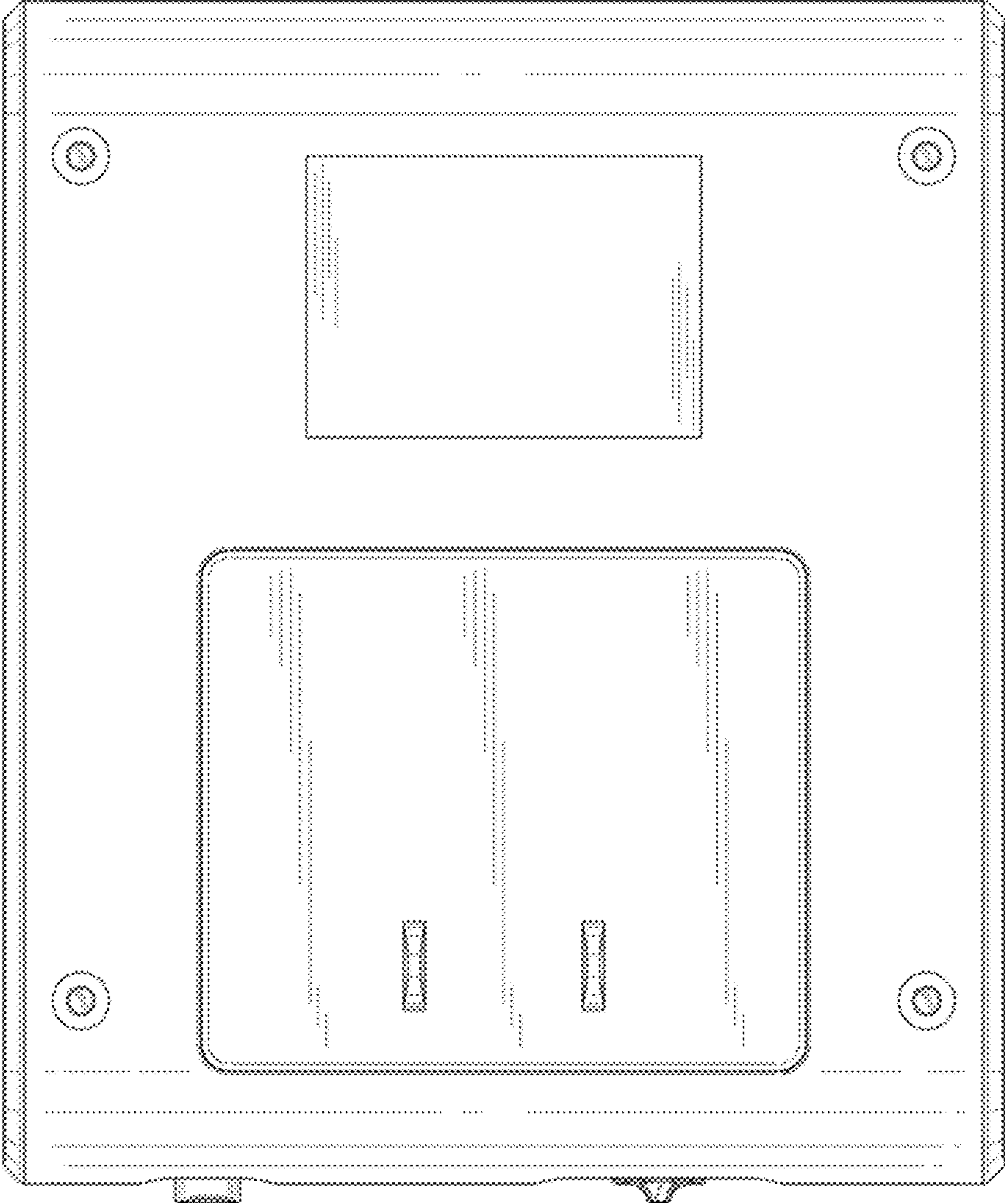


Fig. 4

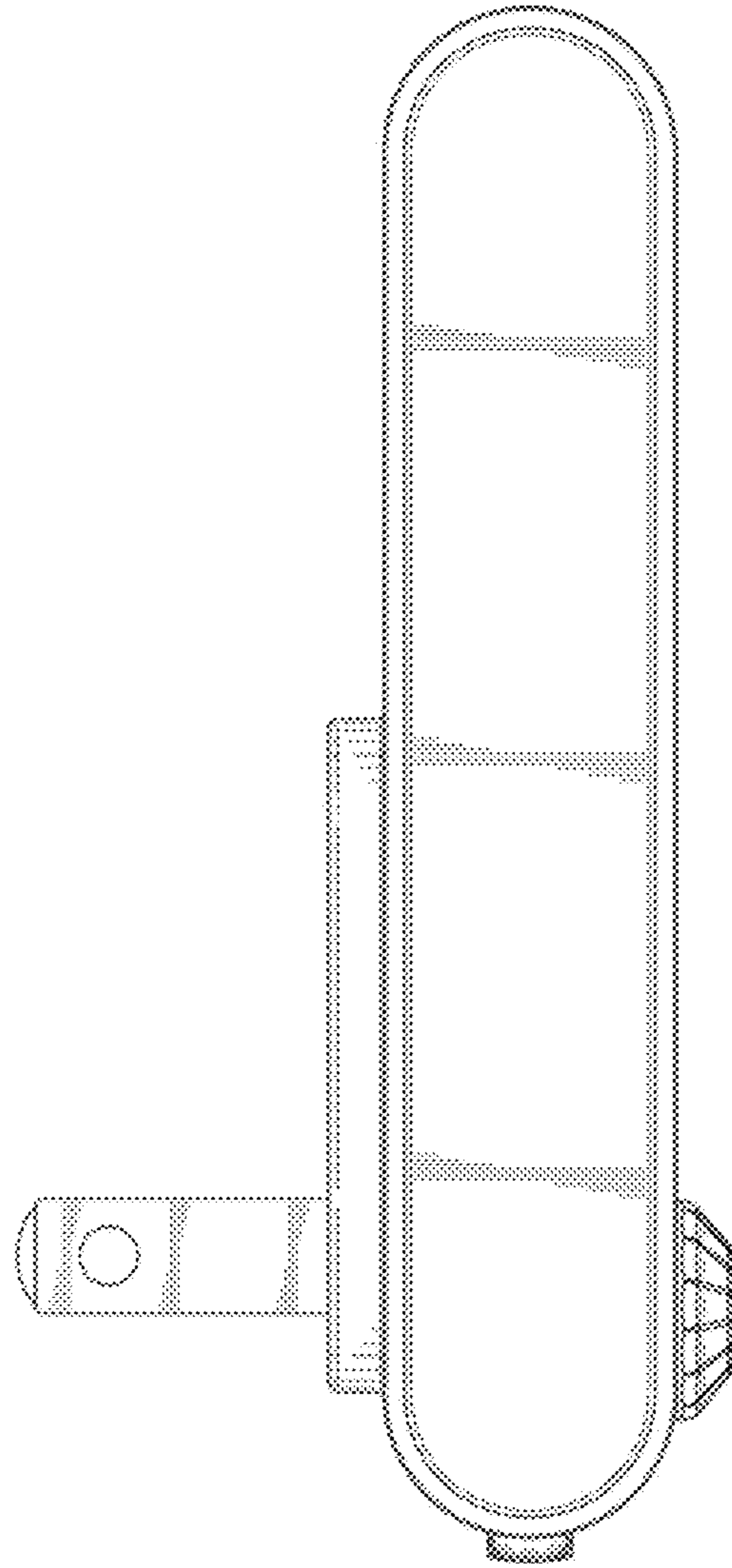


Fig. 5

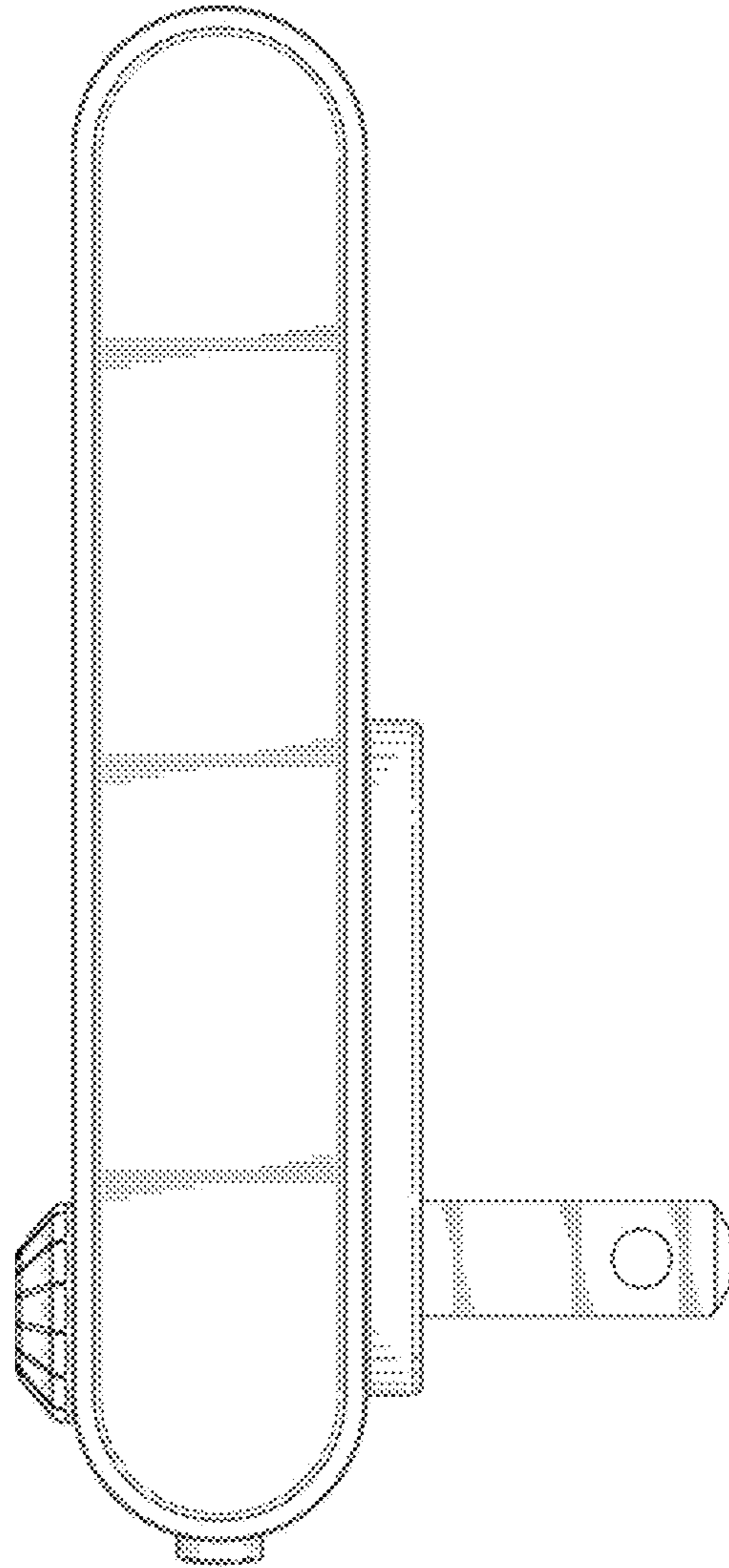


Fig. 6

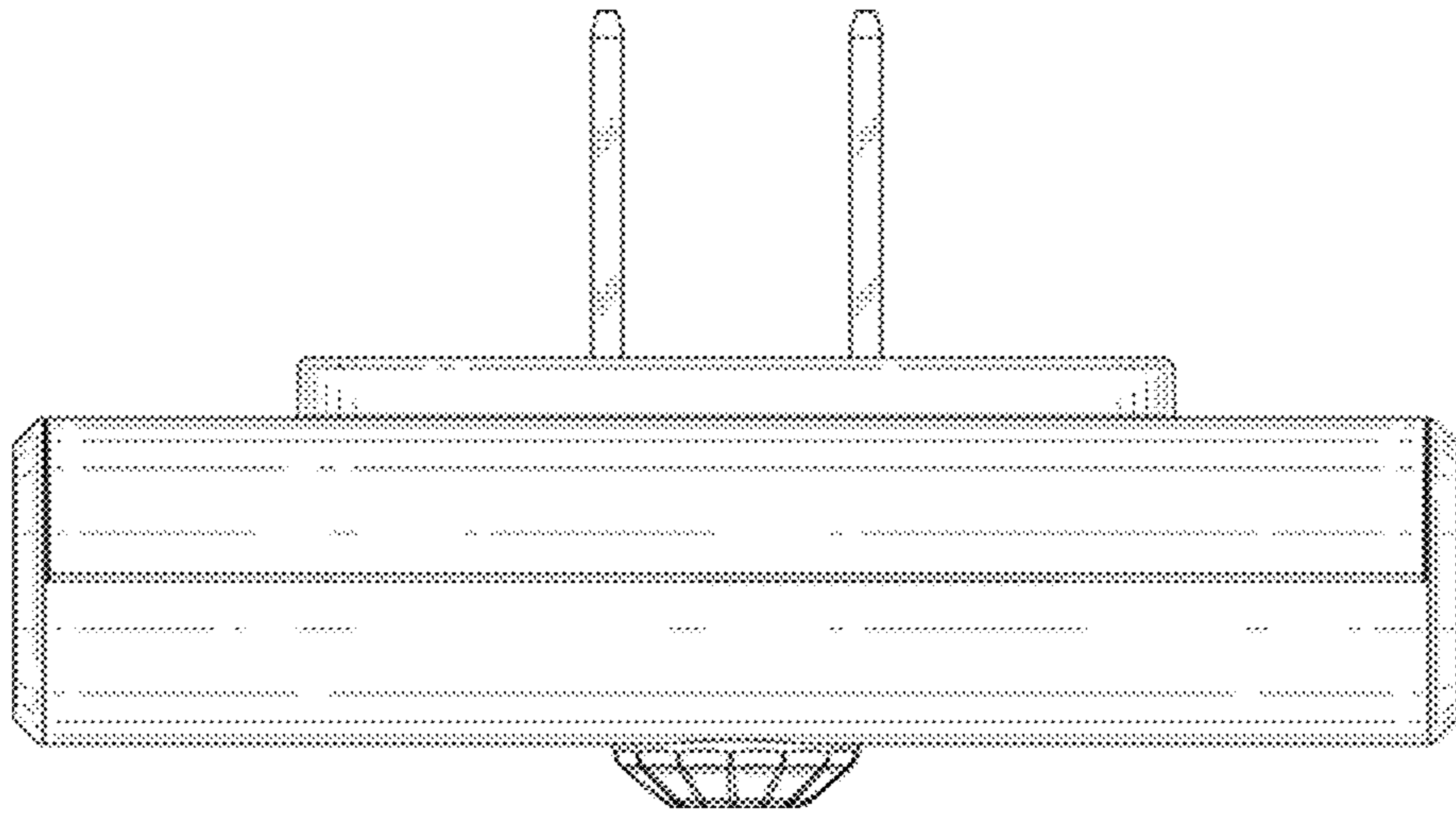


Fig. 7

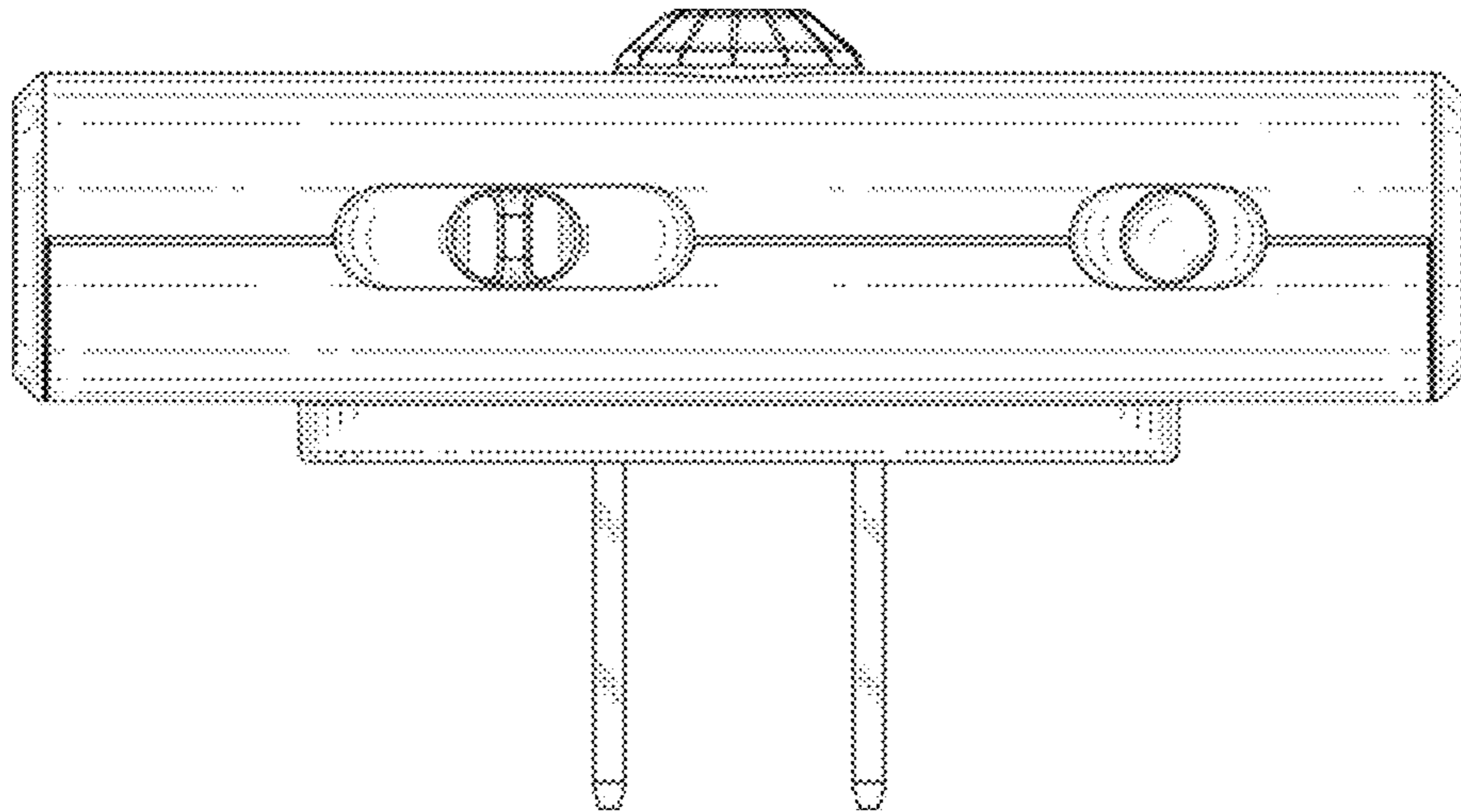


Fig. 8