



US00D872911S

(12) **United States Design Patent**
Chen

(10) **Patent No.:** **US D872,911 S**

(45) **Date of Patent:** **** Jan. 14, 2020**

(54) **LED LAMP TUBE**

(71) Applicant: **Shenzhen Shunsihang Technology Co., Ltd.**, Shenzhen, Guangdong (CN)

(72) Inventor: **Nan Chen**, Guangdong (CN)

(**) Term: **15 Years**

(21) Appl. No.: **29/641,593**

(22) Filed: **Mar. 23, 2018**

(51) **LOC (12) Cl.** **26-04**

(52) **U.S. Cl.**
USPC **D26/24**

(58) **Field of Classification Search**
USPC D26/1, 24, 25, 43, 60, 76, 86, 110, 113;
362/183, 224, 225, 227, 236, 240, 249.02,
362/249.06, 249.14, 311.02, 311.13
CPC F21S 4/00; F21S 4/10; F21S 4/15; F21S
4/26; F21S 4/002; F21S 4/003; F21S
2/00; F21V 11/02; F21V 11/06; F21V
17/10; F21V 17/16; F21V 5/00; F21V
5/04; F21V 21/096; F21V 21/005; F21V
21/008; F21W 2121/00; F21W 2121/04;
F21Y 2115/10; G09F 13/00; G09F 13/22
See application file for complete search history.

(56) **References Cited**

U.S. PATENT DOCUMENTS

| | | | | | |
|-----------|------|---------|---------------|-------|-----------|
| D458,175 | S * | 6/2002 | Wang | | D26/60 |
| D477,093 | S * | 7/2003 | Moriyama | | D26/3 |
| D513,082 | S * | 12/2005 | Hoshikawa | | D26/1 |
| D550,869 | S * | 9/2007 | Hoshikawa | | D26/25 |
| D594,576 | S * | 6/2009 | Chan | | D26/1 |
| D595,444 | S * | 6/2009 | Shimomura | | D26/76 |
| D662,629 | S * | 6/2012 | Tung | | D26/3 |
| D663,444 | S * | 7/2012 | Betsuda | | D13/180 |
| D715,467 | S * | 10/2014 | Bretschneider | | D26/24 |
| 9,228,700 | B2 * | 1/2016 | Westermarck | | F21K 9/90 |
| D786,458 | S * | 5/2017 | Wang | | D26/1 |

| | | | | | |
|--------------|------|--------|----------|-------|---------------------------|
| D798,473 | S * | 9/2017 | Huang | | D26/1 |
| D844,880 | S * | 4/2019 | Zeng | | D26/76 |
| D846,429 | S * | 4/2019 | Khubani | | D11/121 |
| D846,786 | S * | 4/2019 | Tremaine | | D26/76 |
| D851,805 | S * | 6/2019 | Chen | | D26/76 |
| 2005/0099807 | A1 * | 5/2005 | Pan | | F21V 23/0407 362/221 |
| 2006/0176707 | A1 * | 8/2006 | Holt | | B65D 73/02 362/387 |
| 2014/0036505 | A1 * | 2/2014 | Barton | | F21V 21/005 362/249.06 |

(Continued)

Primary Examiner — Wan Laymon

Assistant Examiner — Clint A Samuel

(74) *Attorney, Agent, or Firm* — Wayne V. Harper

(57) **CLAIM**

The ornamental design for a LED lamp tube, as shown and described.

DESCRIPTION

FIG. 1 is a top, front and right side perspective view of a LED lamp tube showing my new design;
FIG. 2 is a bottom, front and left side perspective view thereof;
FIG. 3 is a front elevational view thereof;
FIG. 4 is a left side view thereof;
FIG. 5 is an enlarged top plan view thereof;
FIG. 6 is an enlarged bottom plan view thereof; and,
FIG. 7 is an enlarged cross-sectional view taken along line 7-7 of FIG. 3.

The broken lines in the drawings illustrate portions of the LED lamp tube which form no part of the claimed design, and the break lines indicate that the LED lamp tube have no specific length. Further, The LED lamp tube is shown with a symbolic break in its length. The appearance of any portion of the article between the break lines forms no part of the claimed design.

The diagonal lines indicate transparency.

1 Claim, 7 Drawing Sheets



(56)

References Cited

U.S. PATENT DOCUMENTS

2018/0128431 A1* 5/2018 Heilman F21K 9/275
2018/0163929 A1* 6/2018 Jang F21S 2/00

* cited by examiner

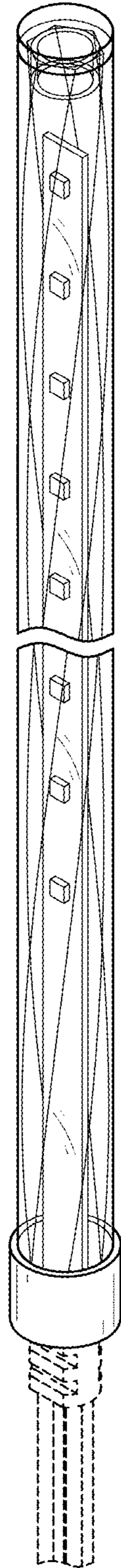


FIG. 1

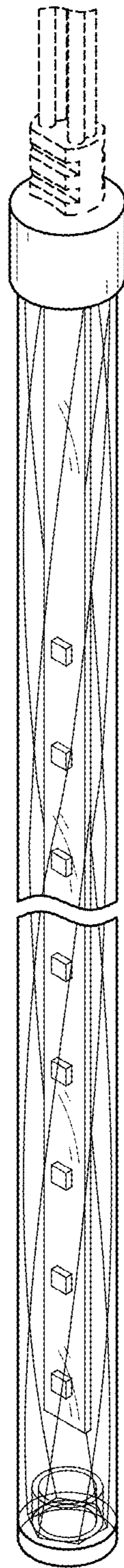


FIG. 2

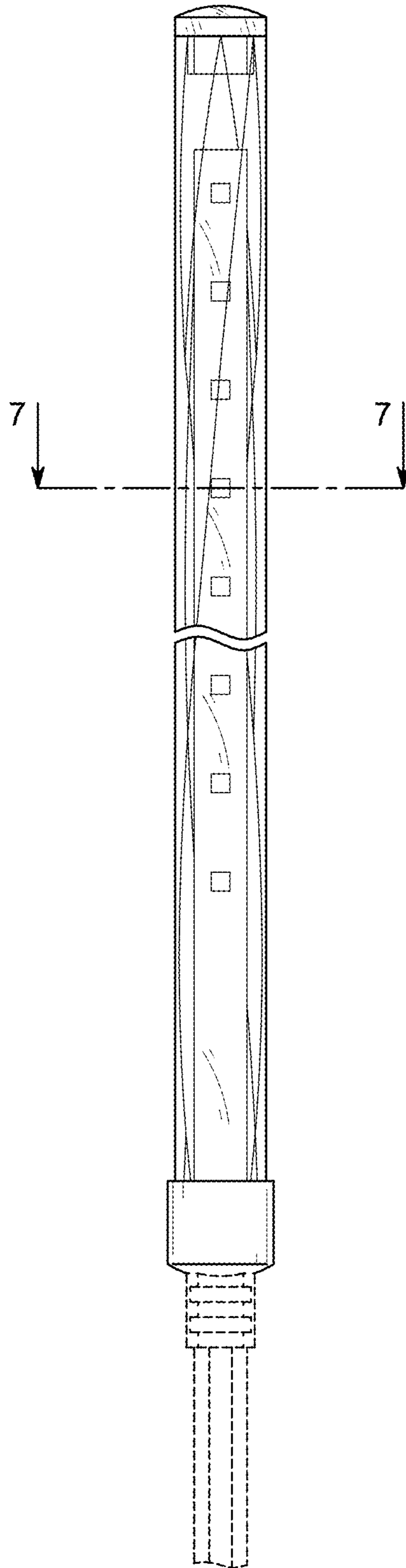


FIG. 3

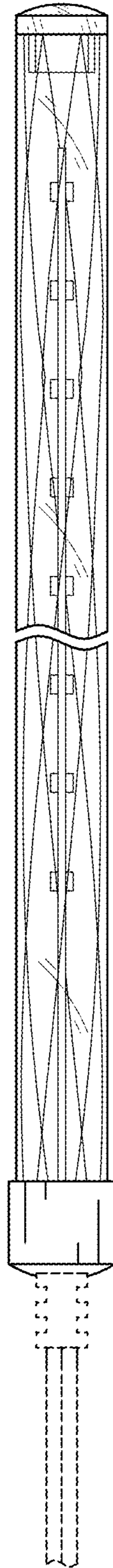


FIG. 4

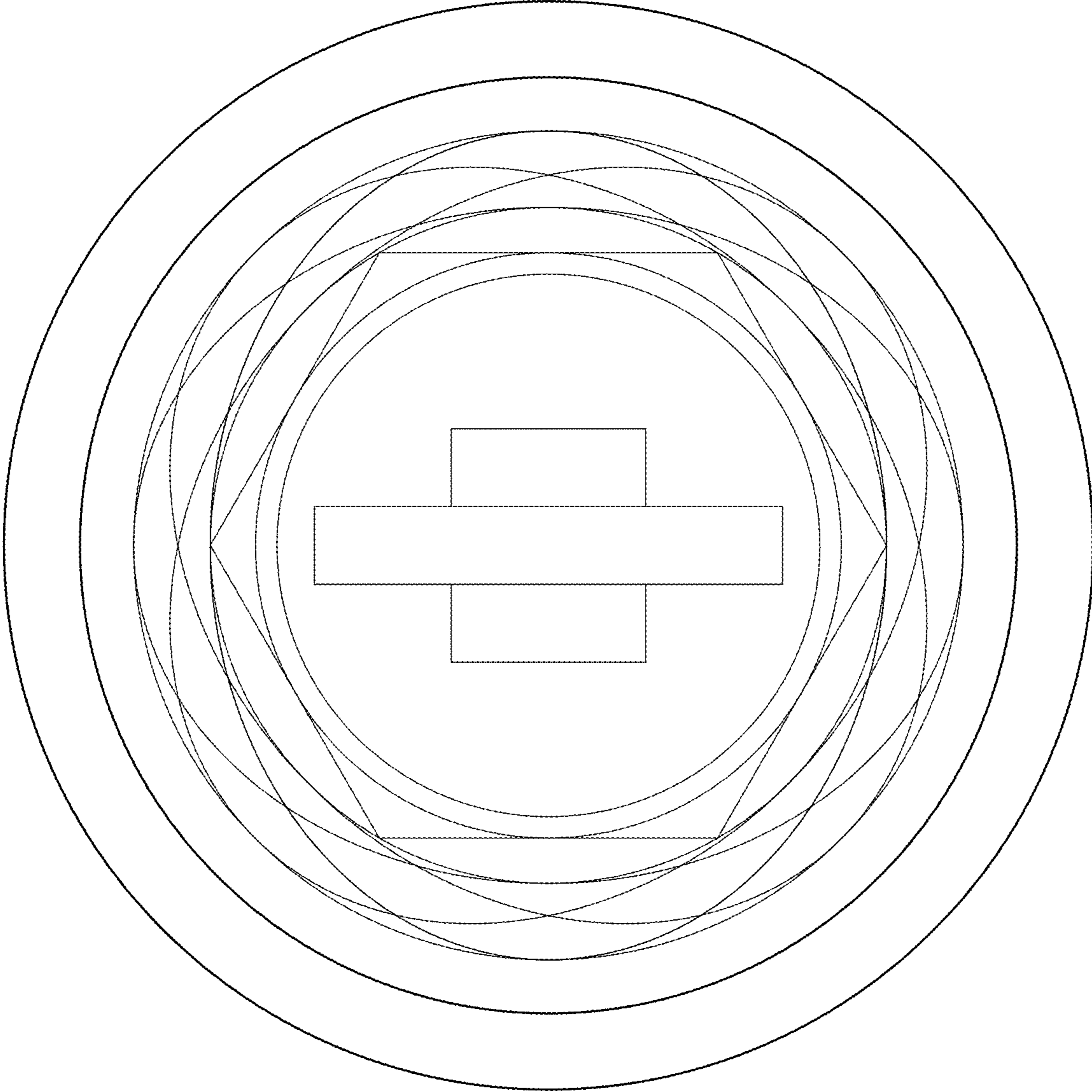


FIG. 5

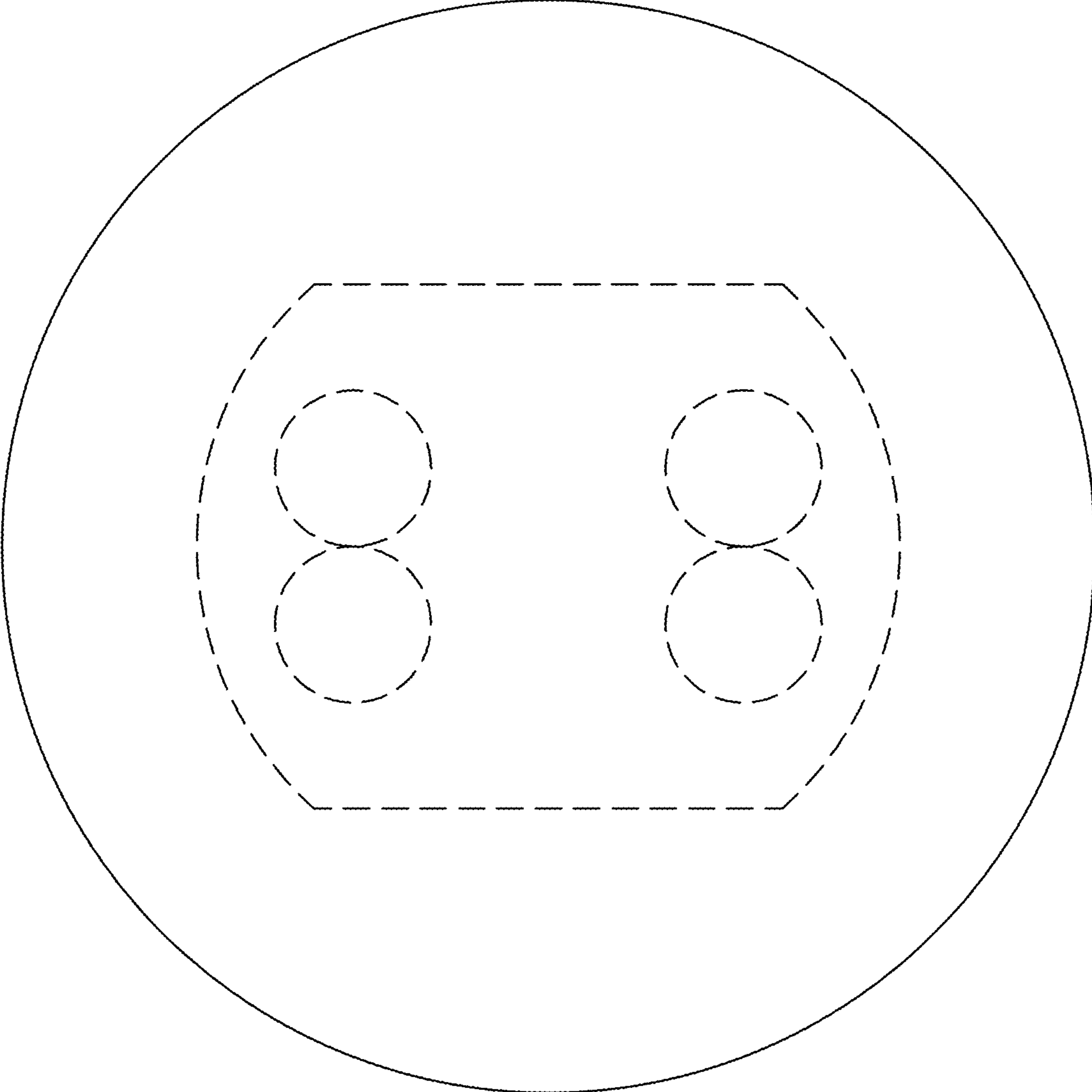


FIG. 6

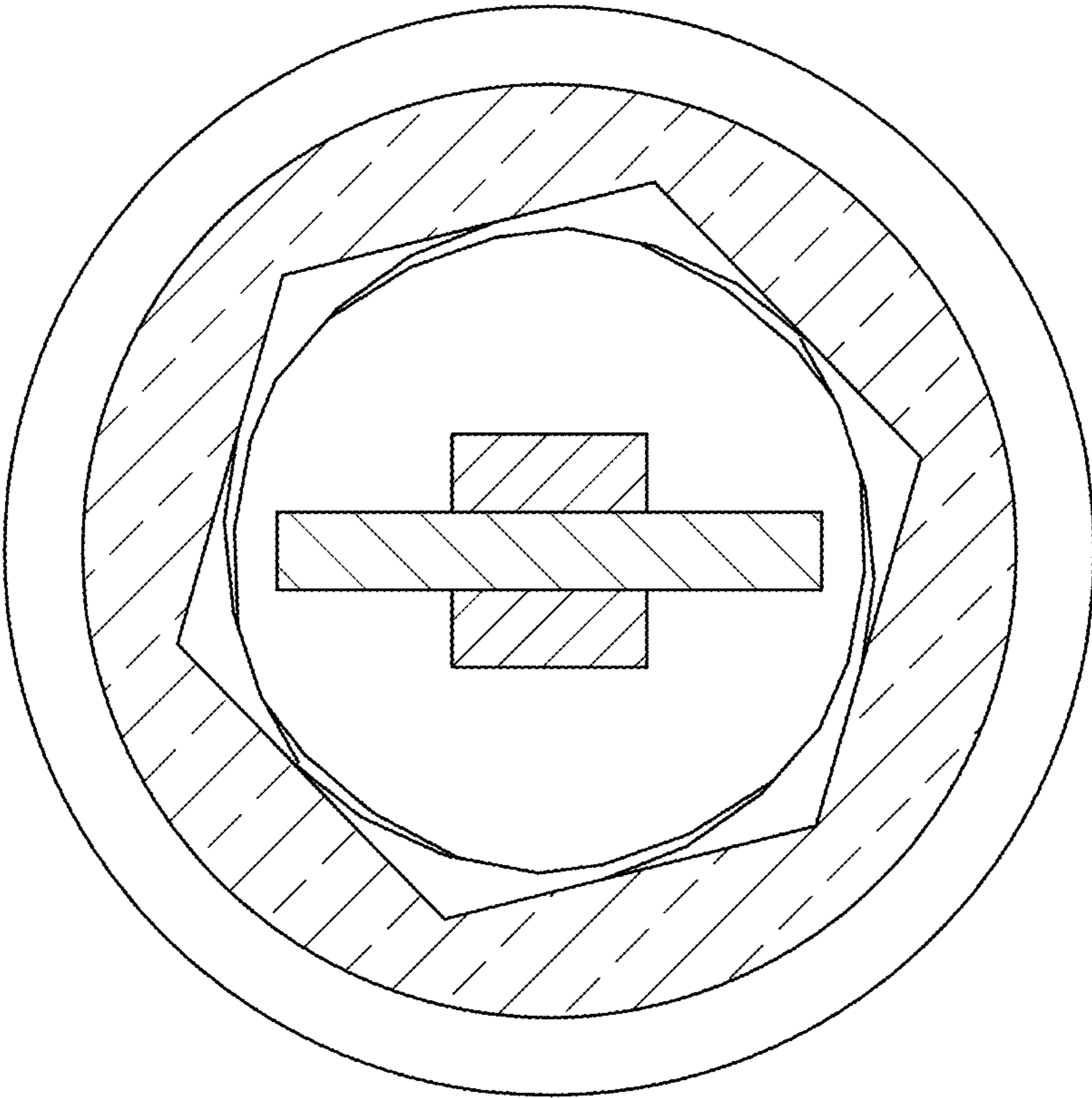


FIG. 7