



US00D872908S

(12) **United States Design Patent** (10) **Patent No.:** **US D872,908 S**
Johnston et al. (45) **Date of Patent:** **** Jan. 14, 2020**

(54) **BASE MEMBER FOR AIR DIFFUSER**
(71) Applicant: **AQUATEC MAXCON PTY LTD,**
Ipswich QLD (AU)
(72) Inventors: **Gregory Johnston,** Barellan Point
(AU); **David Yule,** Taringa (AU);
Kenneth Roy Wildbur, Jindalee (AU)
(73) Assignee: **AQUATEC MAXCON PTY LTD,**
Ipswich, Queensland (AU)

D420,149 S * 2/2000 Hersh D25/119
D575,631 S * 8/2008 Huang D8/354
D620,619 S * 7/2010 Teffenhart, Jr. E04C 3/06
D25/123
D624,208 S * 9/2010 Antonic D25/121
8,002,249 B2 8/2011 Casper et al.
D709,629 S * 7/2014 Rice D25/125
D736,414 S * 8/2015 Sparks D25/121
D800,347 S * 10/2017 Blick D25/119
D802,799 S * 11/2017 Walker D25/121
D833,175 S * 11/2018 Miroshnichenko D6/580
D839,081 S * 1/2019 Iellimo D8/354
D843,600 S * 3/2019 Schmidt D25/126

(Continued)

(**) Term: **15 Years**

(21) Appl. No.: **29/642,489**
(22) Filed: **Mar. 29, 2018**

(30) **Foreign Application Priority Data**
Sep. 29, 2017 (AU) 201716012
(51) **LOC (12) Cl.** **25-99**
(52) **U.S. Cl.**
USPC **D25/199; D23/386**
(58) **Field of Classification Search**
USPC D25/55, 119, 164, 199; D23/386, 392
CPC F24H 9/00; F24H 9/0057; F24H 9/0063;
F24H 9/0073; F24H 9/0078; F24H 9/02;
F24H 9/06; F16M 7/00; F24F 13/081;
F24F 13/14
See application file for complete search history.

(56) **References Cited**
U.S. PATENT DOCUMENTS
4,014,072 A * 3/1977 Schumacher E06B 1/34
16/95 R
4,734,191 A 3/1988 Schussler
D301,304 S * 5/1989 Will D25/119
5,355,650 A * 10/1994 Agar E06B 1/04
52/242
D356,283 S * 3/1995 Christensen D25/125

FOREIGN PATENT DOCUMENTS

GB 2537893 A 11/2016
WO WO 98021151 A1 5/1998
WO WO 2013167109 A1 11/2013

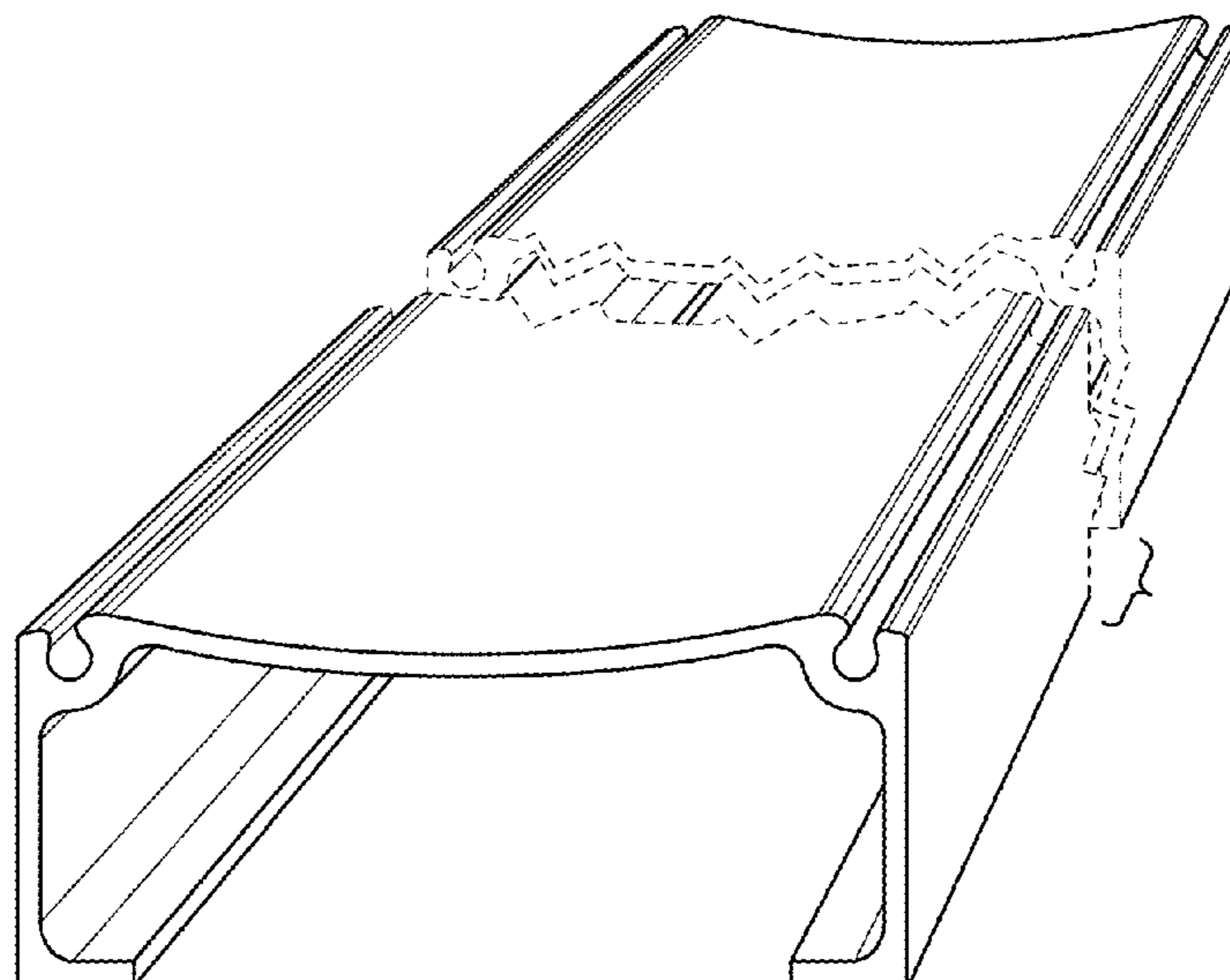
Primary Examiner — L. Martinez
(74) *Attorney, Agent, or Firm* — Lathrop Gage LLP

(57) **CLAIM**
The ornamental design for a base member for air diffuser, as shown and described.

DESCRIPTION

FIG. 1 is a front perspective view of a base member for air diffuser, showing our new design;
FIG. 2 is a rear perspective view of thereof;
FIG. 3 is a front elevation view of thereof;
FIG. 4 is a rear elevation view of thereof;
FIG. 5 is a left elevation view of thereof;
FIG. 6 is a right elevation view of thereof;
FIG. 7 is a top plan view of thereof; and,
FIG. 8 is a bottom plan view of thereof.
The base member for air diffuser is shown with a symbolic break in its length. The appearance of any portion of the base member for air diffuser between the break lines forms no part of the claimed design.

1 Claim, 5 Drawing Sheets



(56)

References Cited

U.S. PATENT DOCUMENTS

2002/0109247	A1	8/2002	Jager et al.	
2004/0124550	A1	7/2004	Casper et al.	
2004/0164433	A1	8/2004	Jager	
2007/0182036	A1	8/2007	Jager	
2011/0057334	A1	3/2011	Doppler	
2013/0160956	A1*	6/2013	Ikeda	A47H 1/04 160/331

* cited by examiner

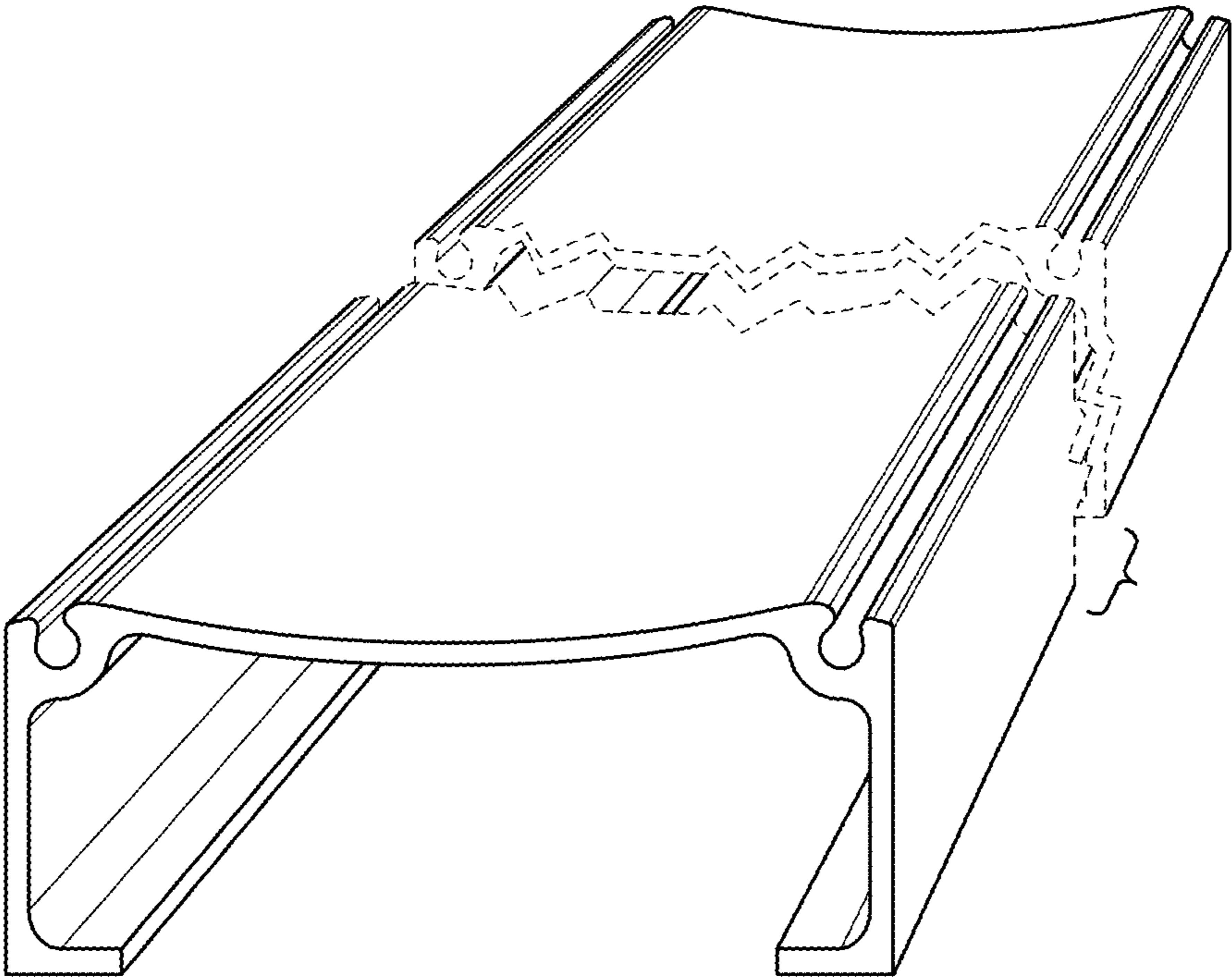


FIG. 1

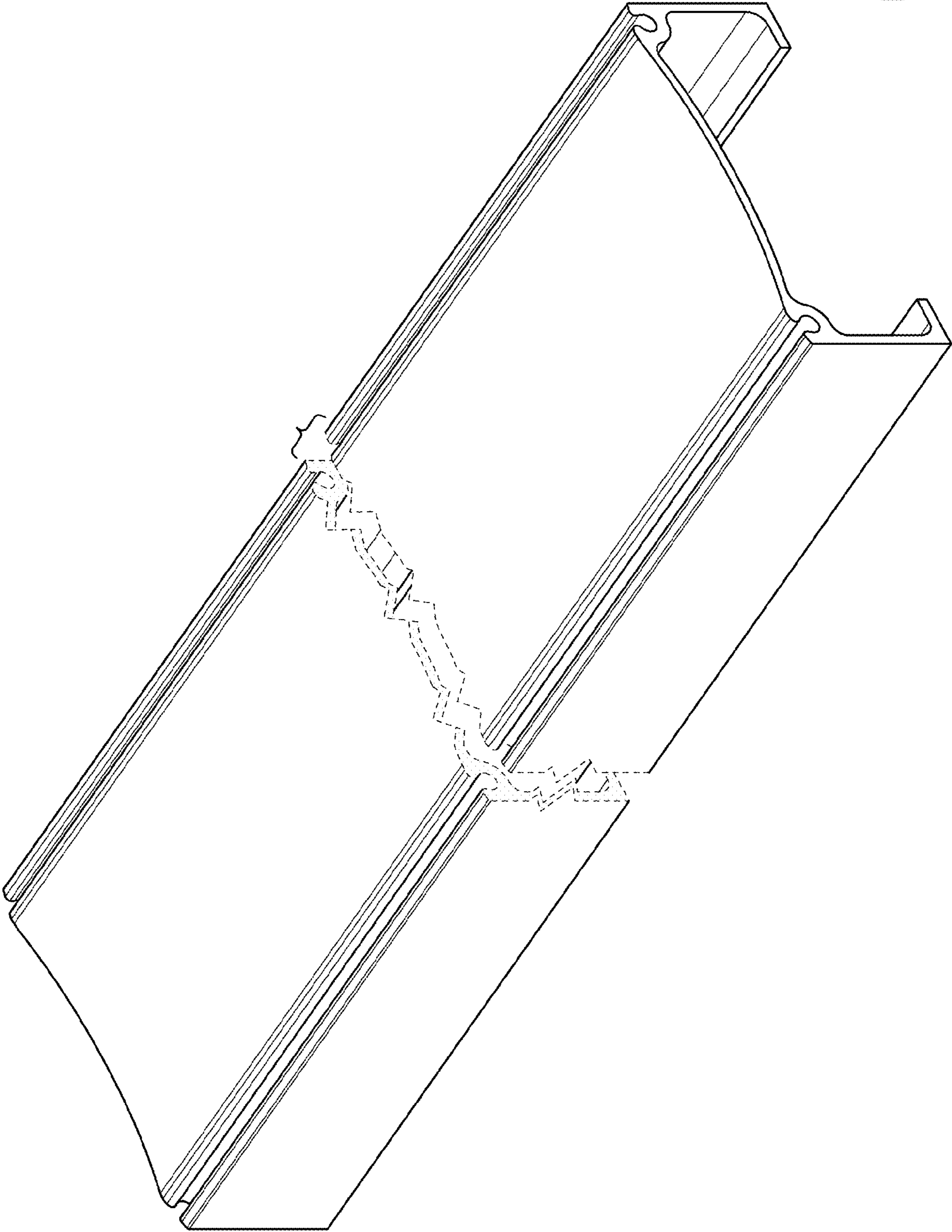


FIG. 2

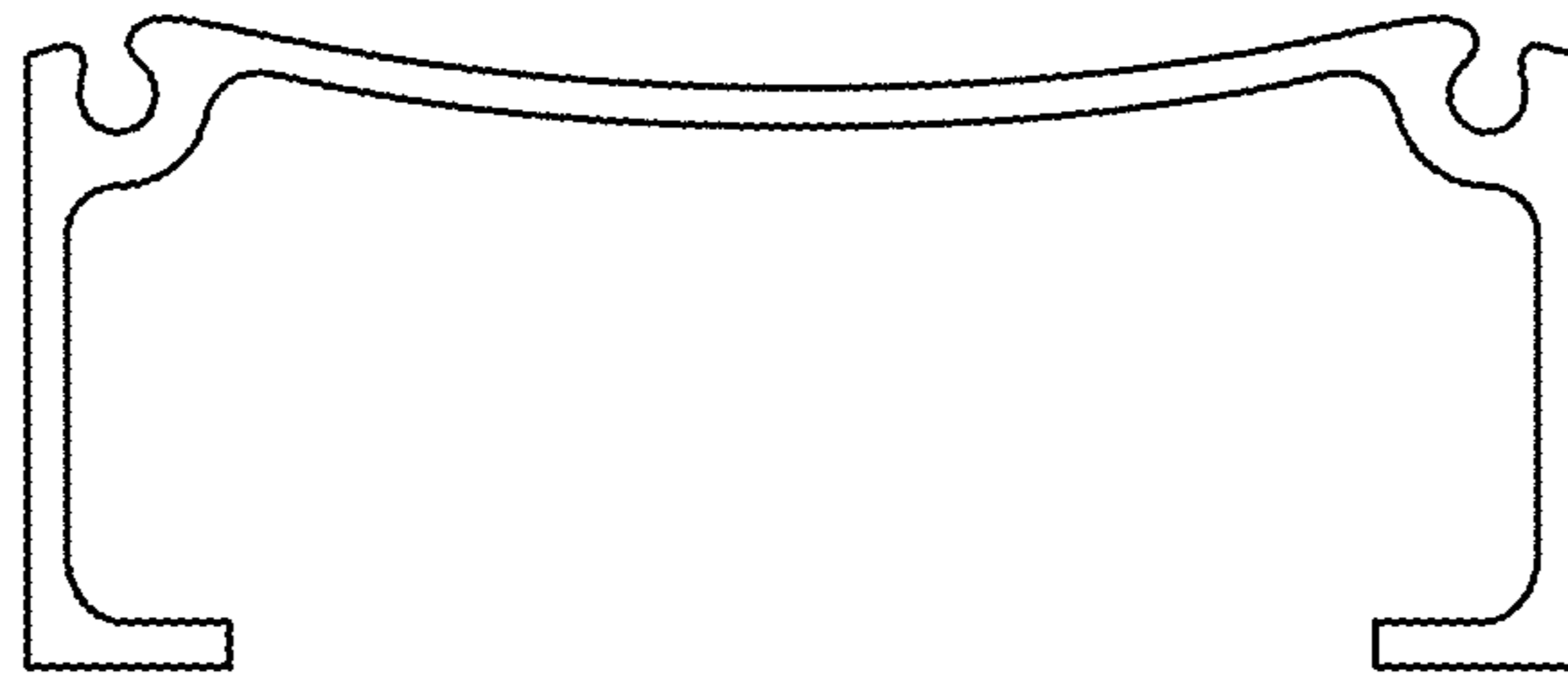


FIG. 3

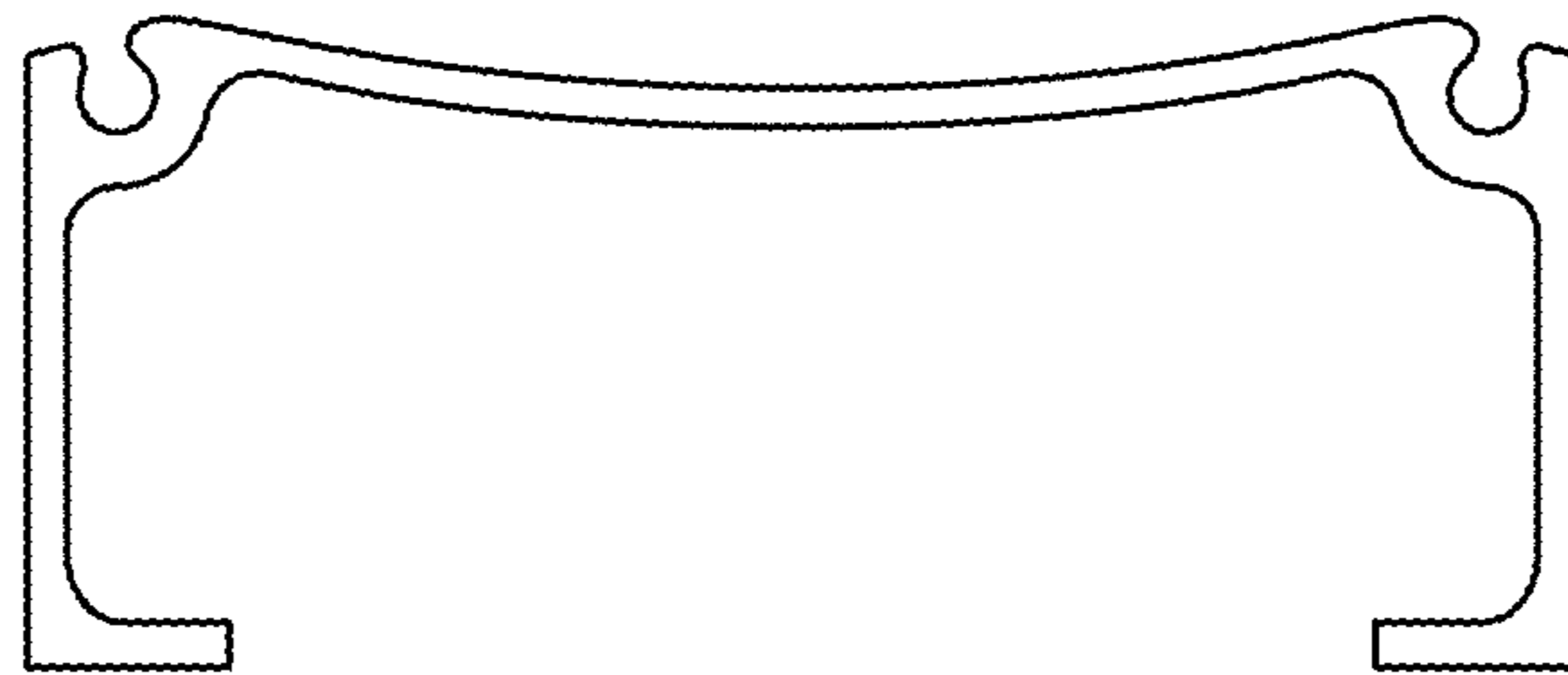


FIG. 4

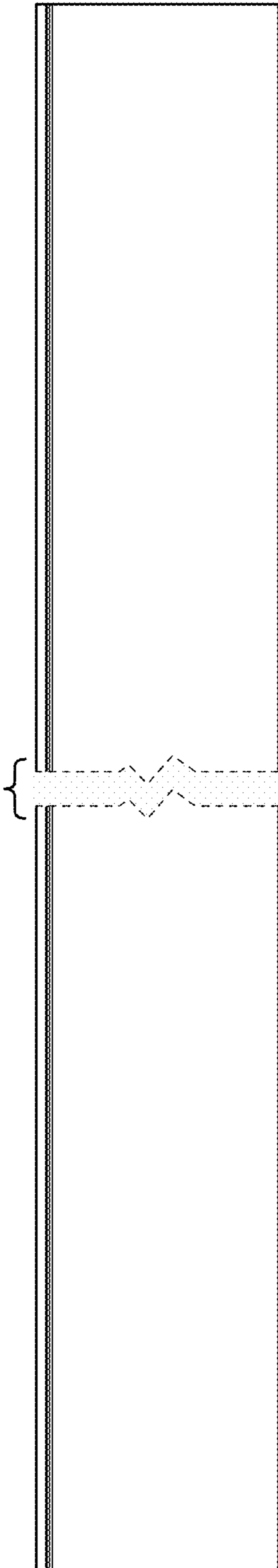


FIG. 5

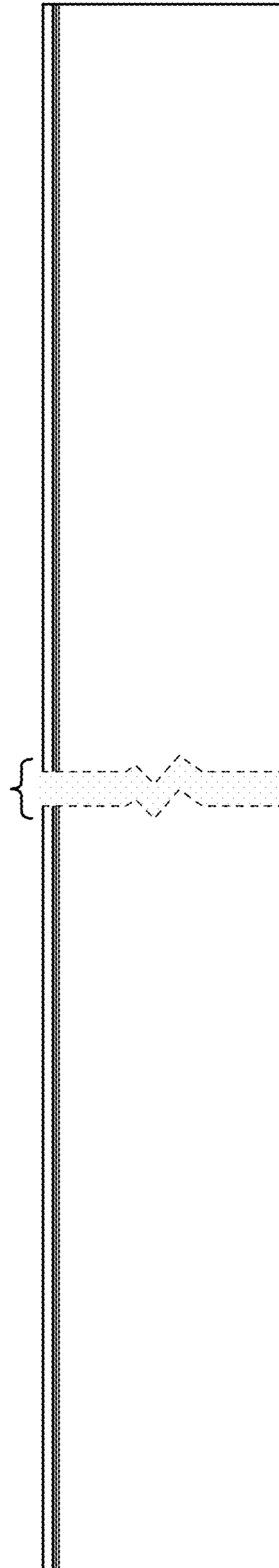


FIG. 6

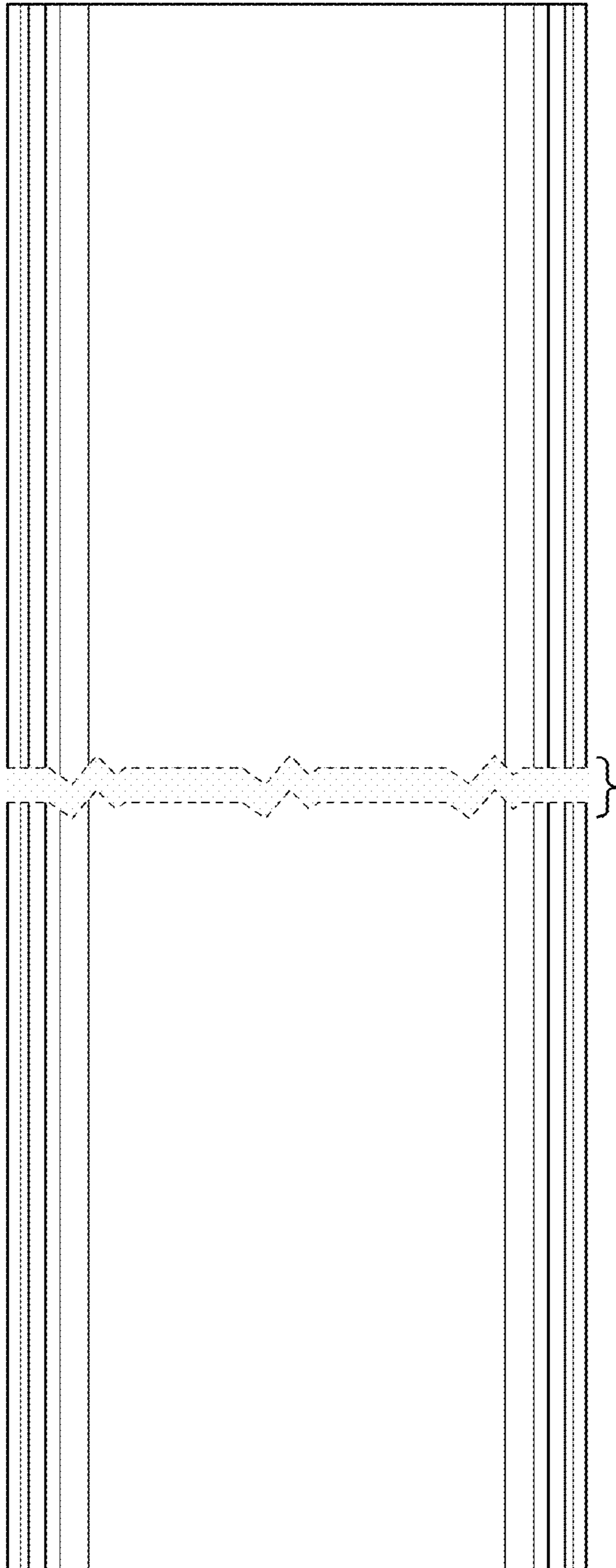


FIG. 7

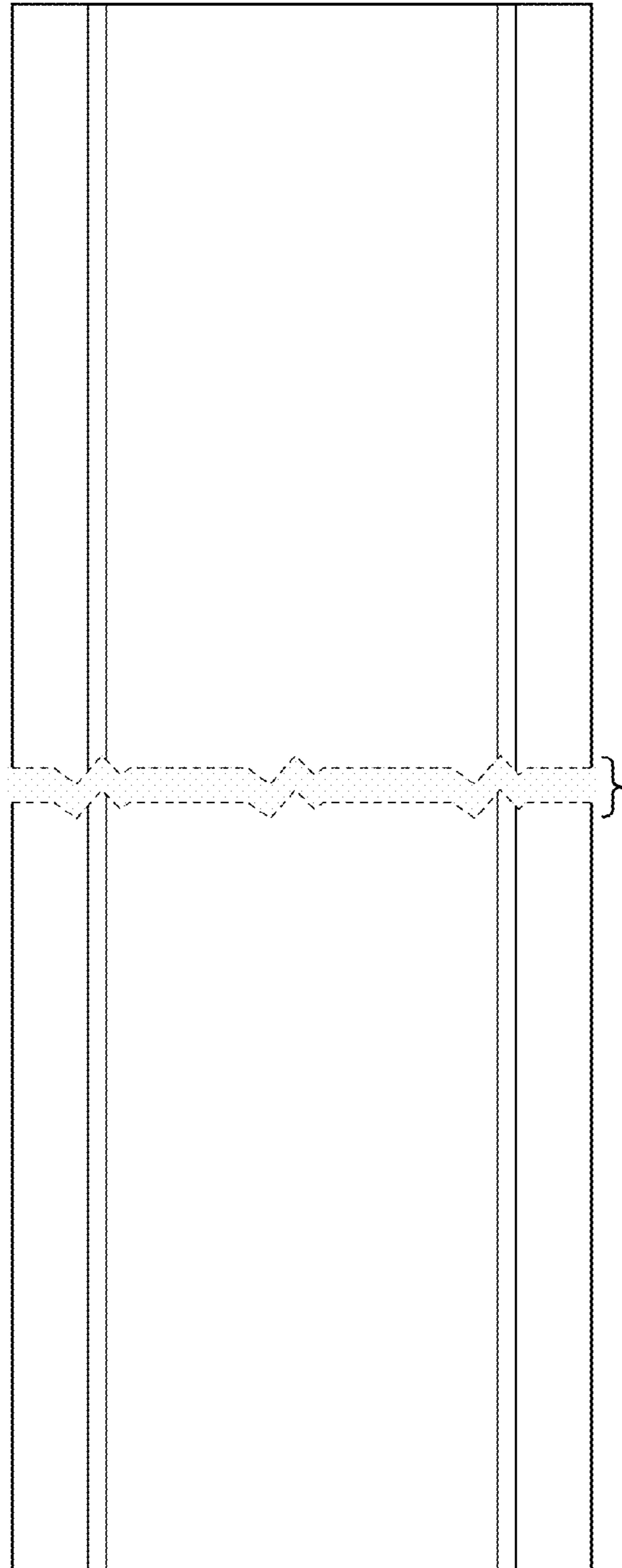


FIG. 8