



US00D872906S

(12) **United States Design Patent** (10) **Patent No.:** **US D872,906 S**
Oetlinger et al. (45) **Date of Patent:** **** Jan. 14, 2020**

(54) **SUPPORT FOR FRAMED STRUCTURE**

(71) Applicant: **Blanking Systems, Inc.**, Grafton, WI (US)

(72) Inventors: **Frank E. Oetlinger**, Grafton, WI (US); **Michael P. Pritchett**, Fredonia, WI (US); **Daniel E. Fatke**, West Bend, WI (US)

(73) Assignee: **Blanking Systems, Inc.**, Grafton, WI (US)

(**) Term: **15 Years**

(21) Appl. No.: **29/609,058**

(22) Filed: **Jun. 28, 2017**

(51) **LOC (12) Cl.** **25-01**

(52) **U.S. Cl.**
USPC **D25/199; D8/376**

(58) **Field of Classification Search**
USPC D25/164, 199; D8/354, 355, 400, 403, D8/376; D6/580
CPC E05Y 2800/26; E05Y 2800/27; E05Y 2800/455; E05Y 2800/46; E05Y 2800/465; F16J 15/00; F16J 15/02; F16S 3/00

See application file for complete search history.

(56) **References Cited**

U.S. PATENT DOCUMENTS

2,638,162 A * 5/1953 Heitlinger A47H 2/00 52/472
2,705,820 A * 4/1955 Torrence A47B 13/083 D25/119

3,525,560 A 8/1970 Gasner et al.
D309,343 S * 7/1990 Koza D25/119
D363,697 S * 10/1995 Shibao D25/119
D411,067 S * 6/1999 Cadorette D6/580
D418,352 S * 1/2000 Cadorette D25/119
D418,353 S * 1/2000 Cadorette D25/119
D419,022 S * 1/2000 Cadorette D25/119
D486,248 S * 2/2004 Sudano D25/119
D504,589 S * 5/2005 Sudano D6/580
D731,874 S * 6/2015 Lin D8/349

* cited by examiner

Primary Examiner — L. Martinez

(74) *Attorney, Agent, or Firm* — Boyle Fredrickson, S.C.

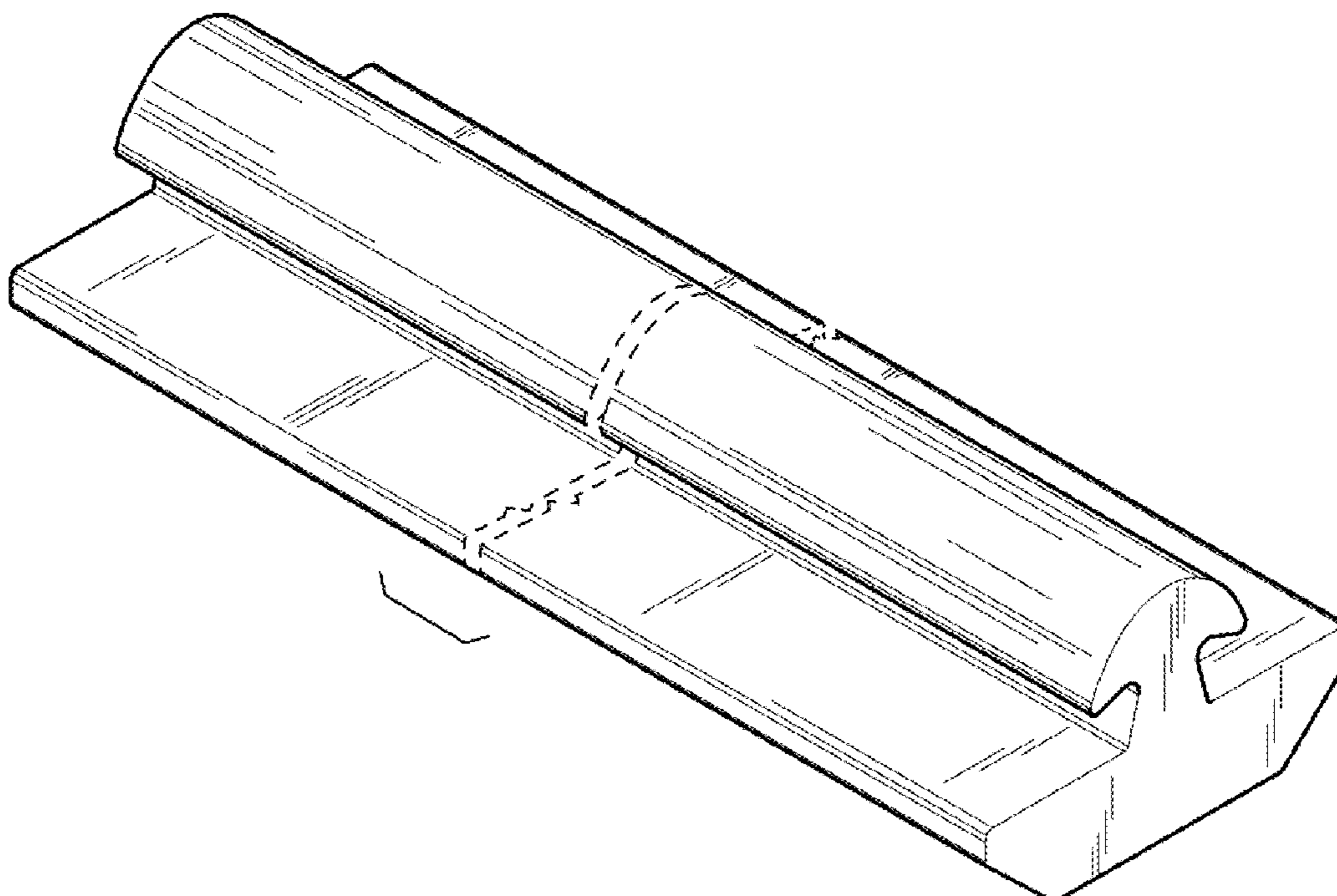
(57) **CLAIM**

The ornamental design for a support for framed structure, as shown and described.

DESCRIPTION

FIG. 1 is an isometric view of a support for framed structure showing our new design;
FIG. 2 is a side elevation view thereof;
FIG. 3 is an opposite side a side elevation view thereof;
FIG. 4 is a top plan view thereof;
FIG. 5 is a bottom plan view thereof;
FIG. 6 is an end elevation thereof; and,
FIG. 7 is an opposite end elevation view thereof.
The support for framed structure is shown with symbolic break lines along its length in broken lines. The appearance of the broken lines and any portion of the support for framed structure between the break lines forms no part of the claimed design.

1 Claim, 4 Drawing Sheets



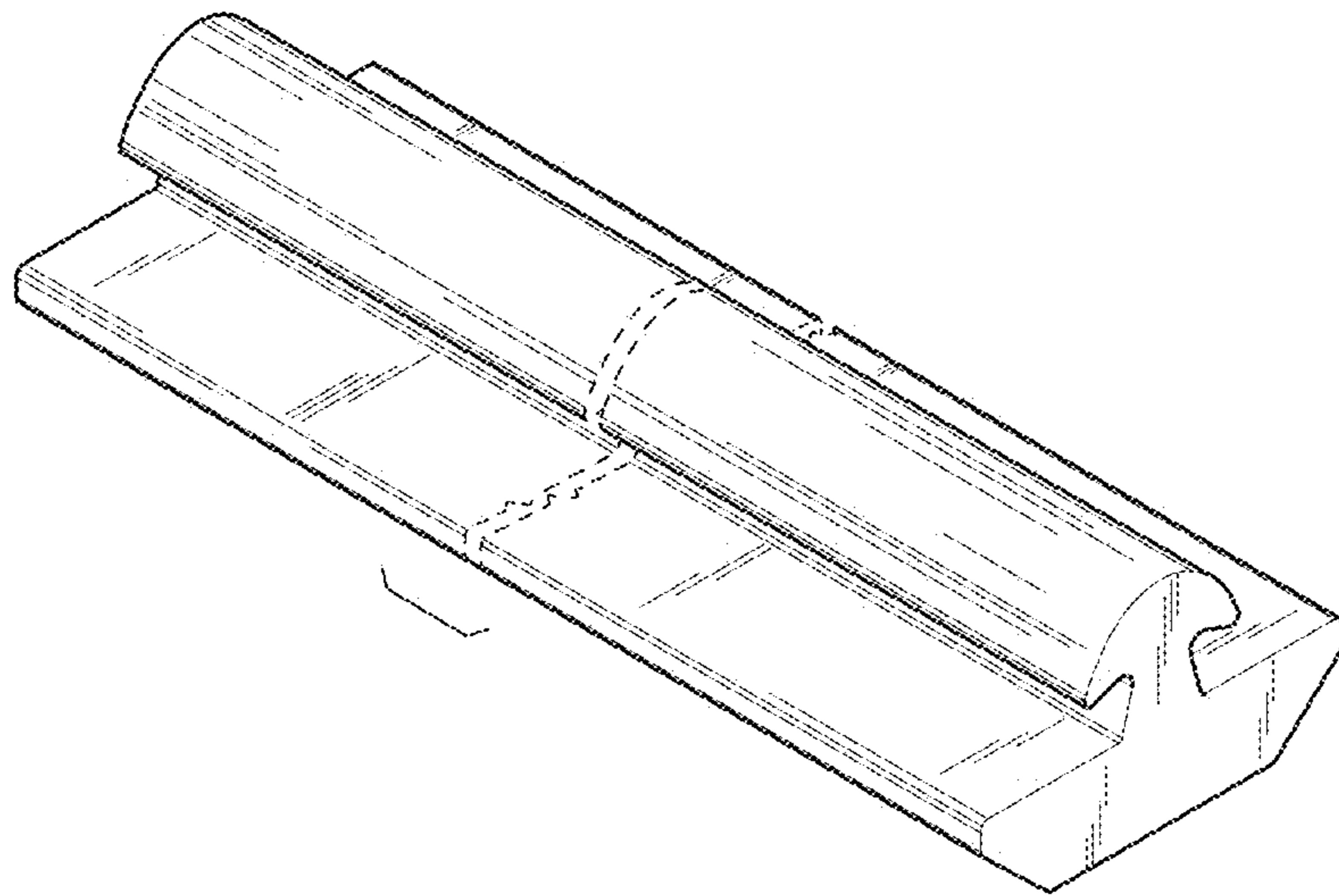


FIG. 1

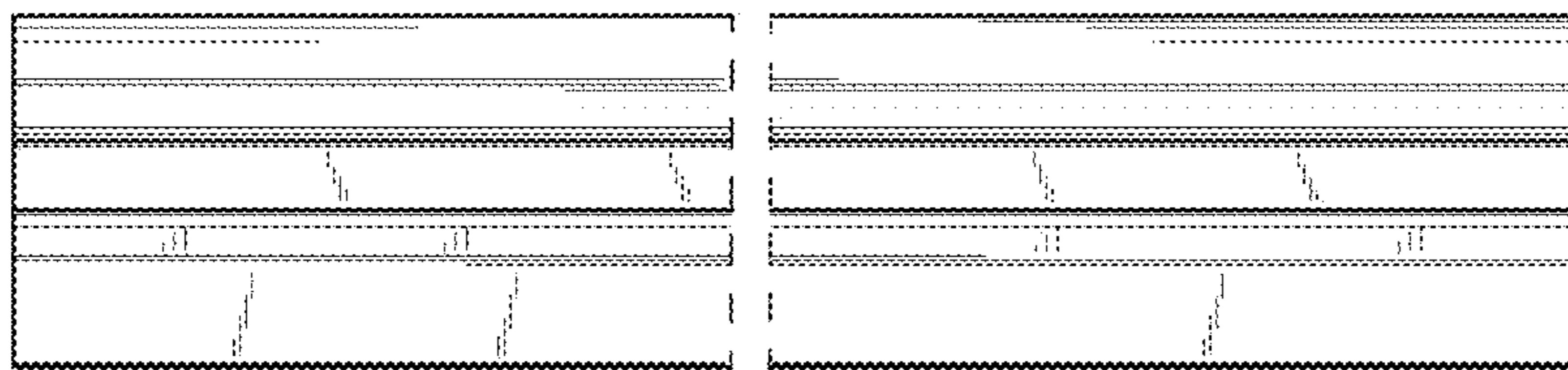


FIG. 2

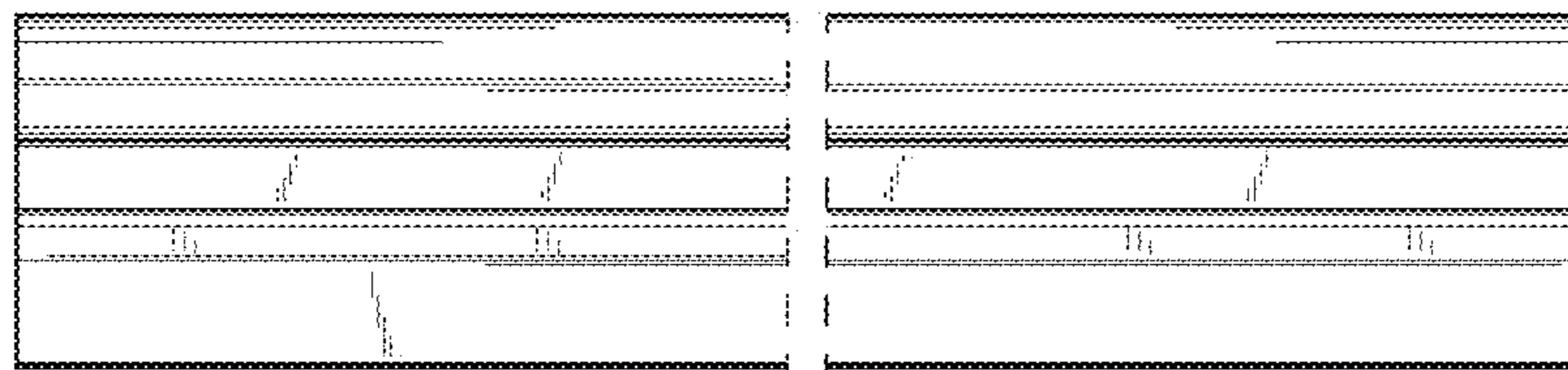


FIG. 3

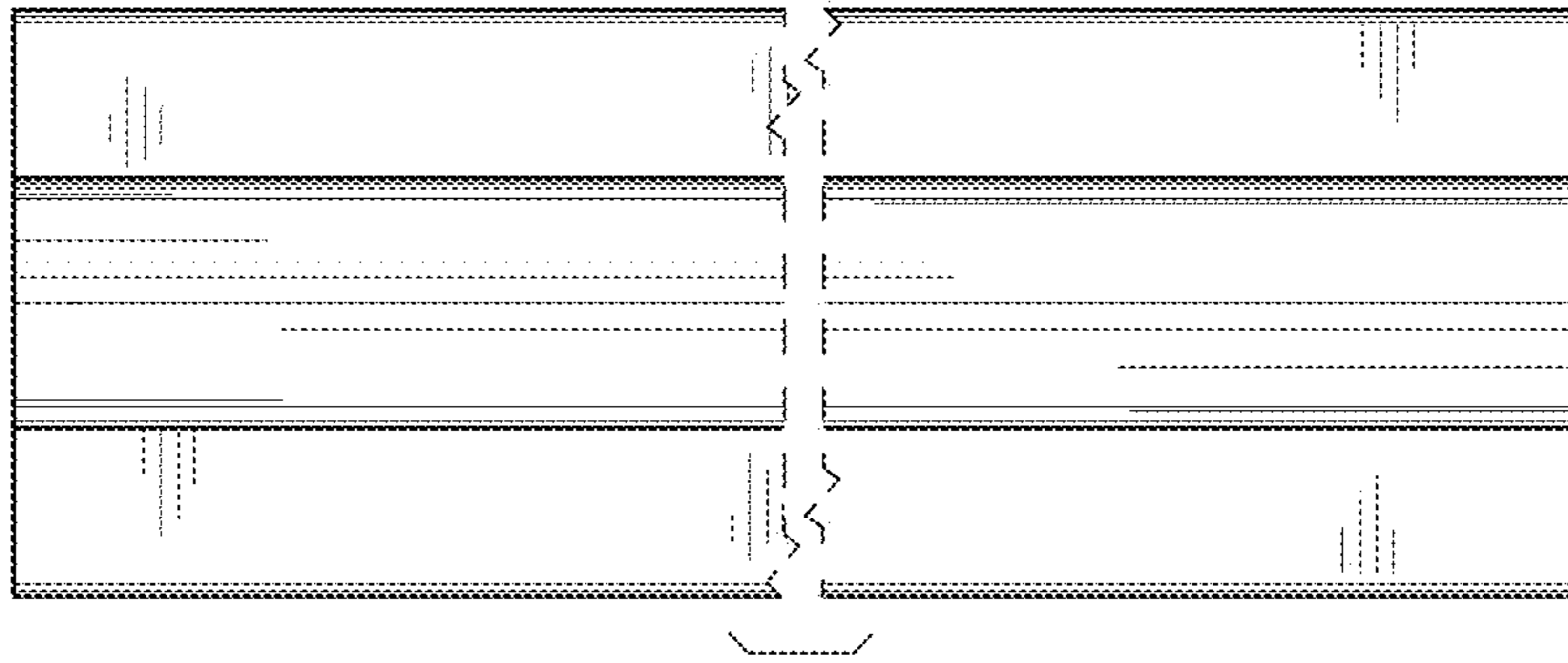


FIG. 4

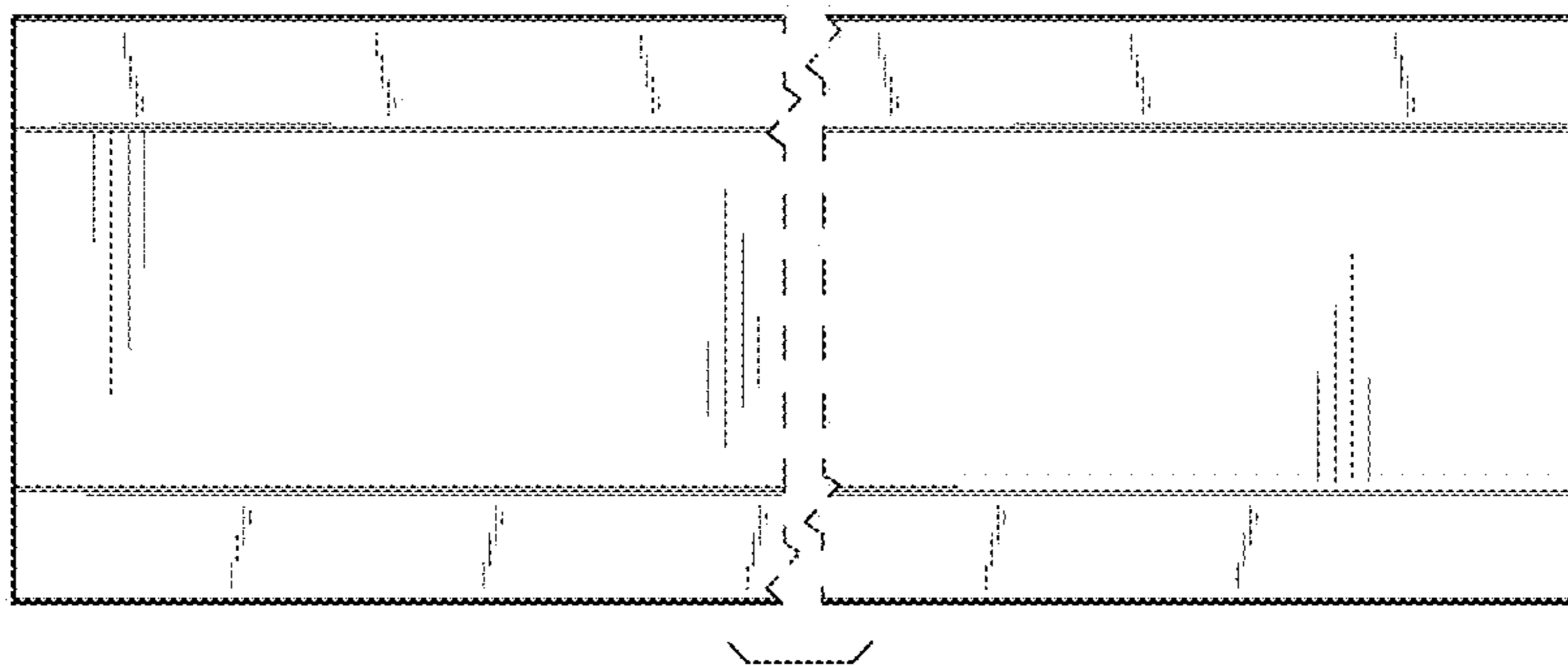


FIG. 5

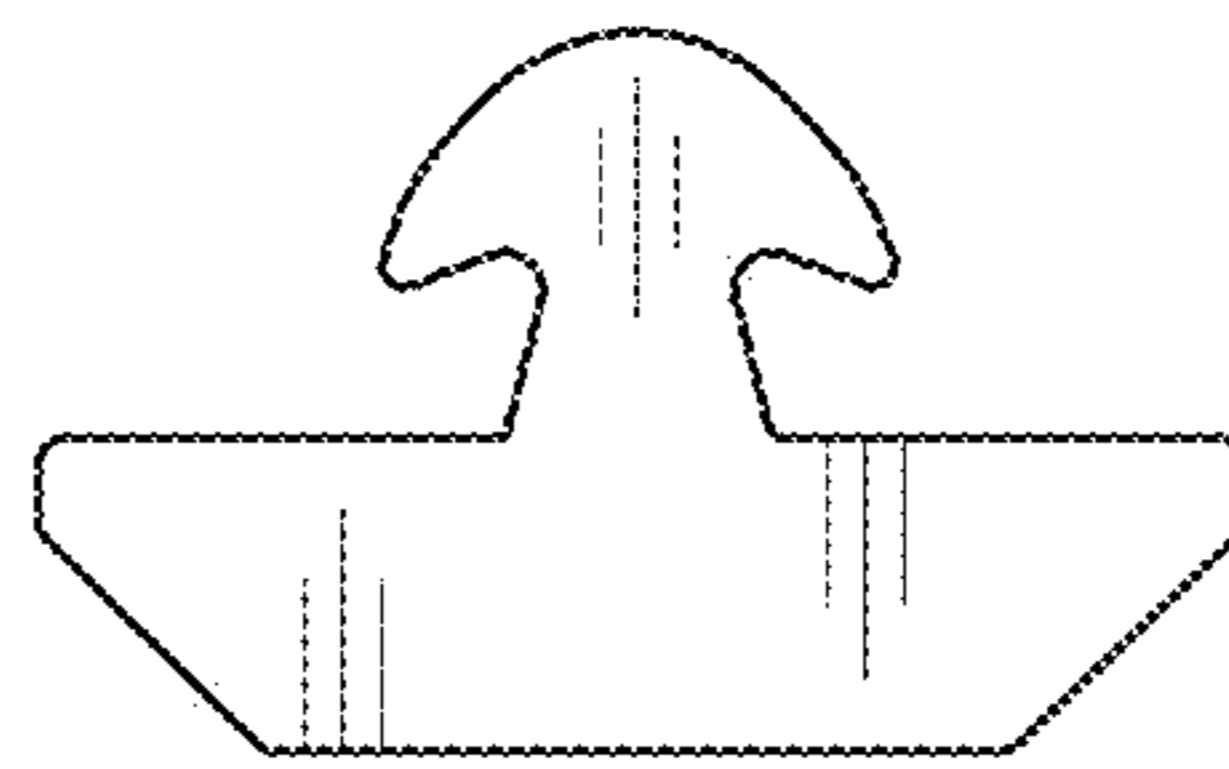


FIG. 6

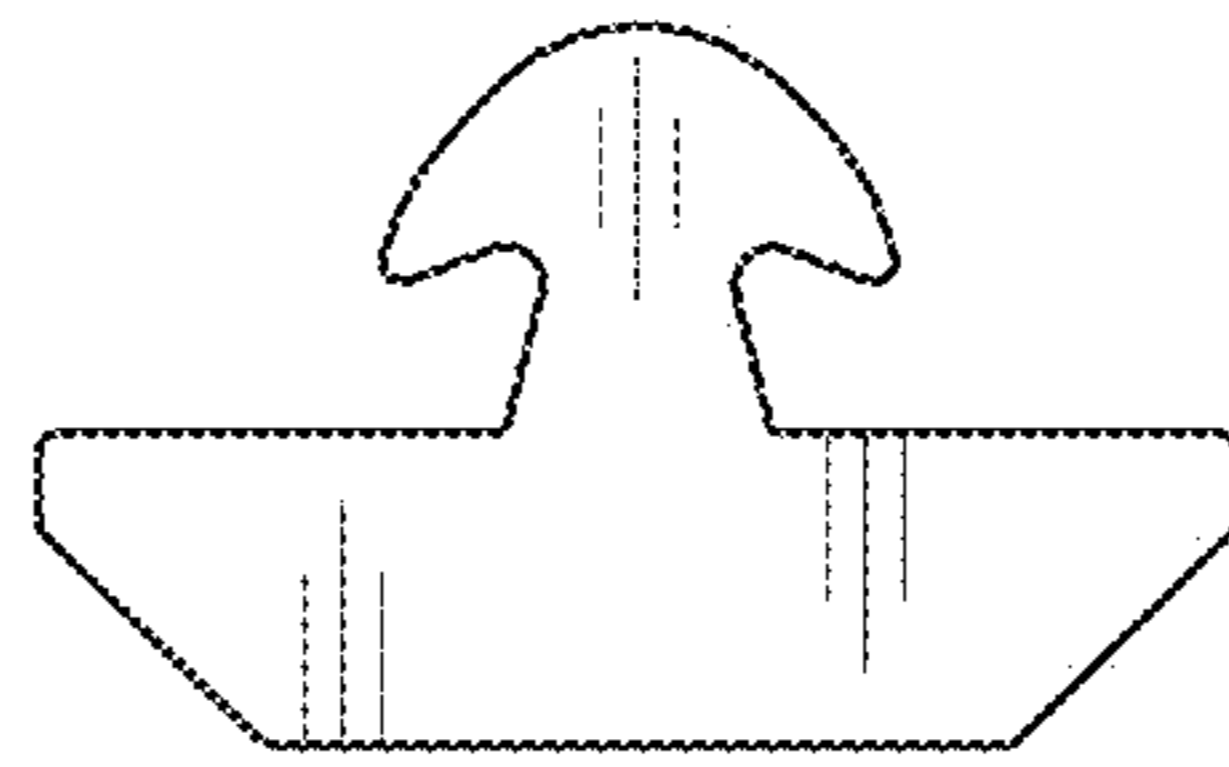


FIG. 7