



US00D872905S

(12) **United States Design Patent**
Jones

(10) **Patent No.:** **US D872,905 S**
(45) **Date of Patent:** **** Jan. 14, 2020**

(54) **FLEXIBLE PAVER RESTRAINT**
(71) Applicant: **David Jones**, Orlando, FL (US)
(72) Inventor: **David Jones**, Orlando, FL (US)
(**) Term: **15 Years**
(21) Appl. No.: **29/671,260**
(22) Filed: **Nov. 26, 2018**
(51) **LOC (12) Cl.** **25-01**
(52) **U.S. Cl.**
USPC **D25/164**
(58) **Field of Classification Search**
USPC D25/164, 199; D8/354
CPC E01C 11/00; E01C 11/165; E01C 11/22;
E01C 11/221; E01C 2201/00; E01C
2201/02; A01G 9/00; A01G 9/28; Y10S
30/05
See application file for complete search history.

7,051,477 B2 * 5/2006 Burnham A01G 9/28
47/33
D613,884 S * 4/2010 Zidar D25/142
8,056,195 B2 * 11/2011 Zwier A01G 9/28
24/545
9,206,560 B2 * 12/2015 Alfieri, III E01C 11/221
9,206,561 B2 * 12/2015 Alfieri, III E01C 11/221
D787,090 S * 5/2017 Mowers D25/119
10,060,081 B2 * 8/2018 Alfieri, III E01C 11/221
D847,383 S * 4/2019 Kilian D25/152
D848,035 S * 5/2019 Kilian D25/152
2009/0060656 A1 * 3/2009 Szkola E01C 11/221
404/68

* cited by examiner

Primary Examiner — L. Martinez

(74) Attorney, Agent, or Firm — William M. Hobby, III

(57) **CLAIM**

The ornamental design for a flexible paver restraint, as shown and described.

DESCRIPTION

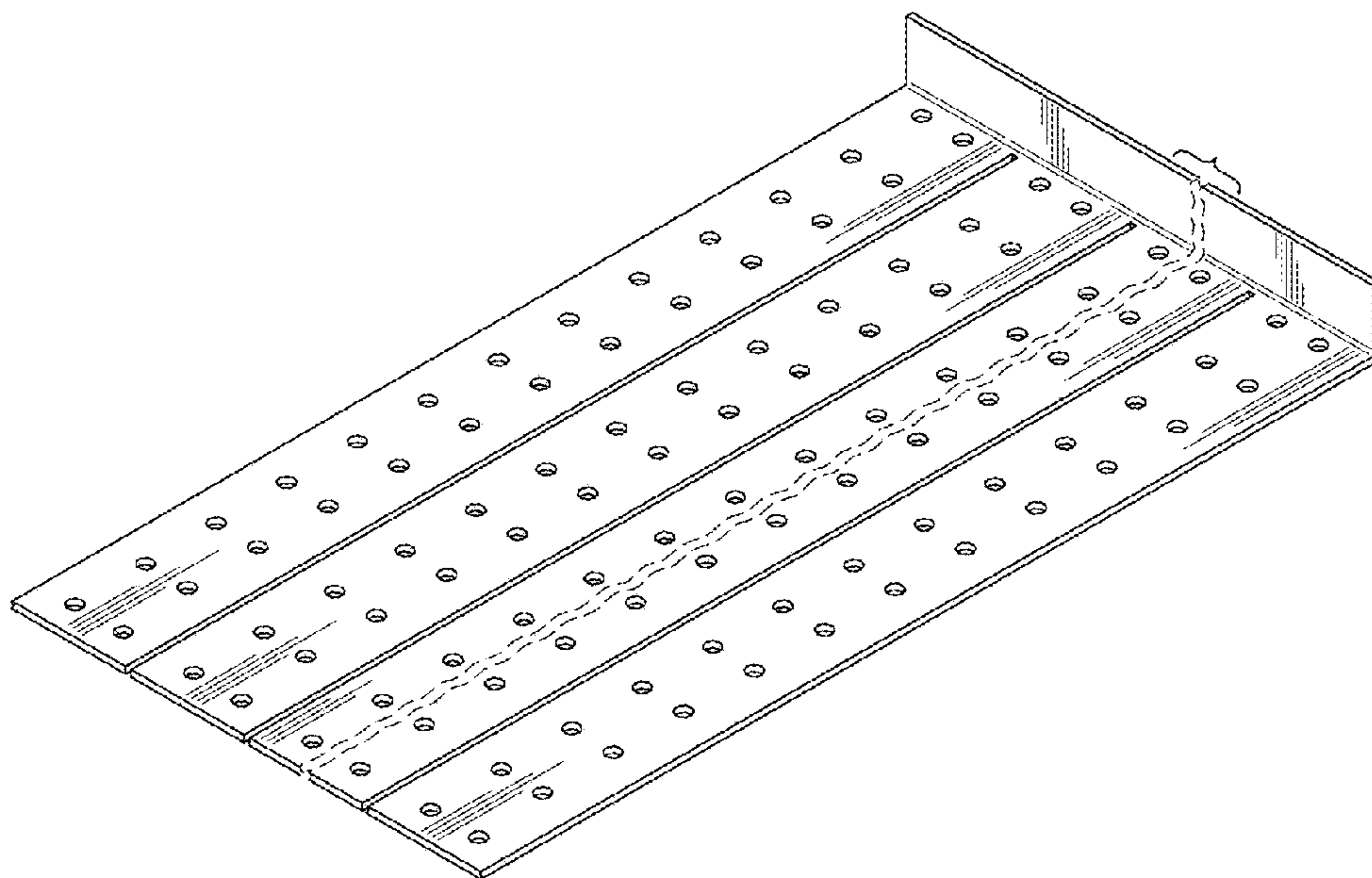
FIG. 1 is a top perspective view of a flexible paver restraint showing my new design;
FIG. 2 is a front elevation thereof;
FIG. 3 is a rear elevation thereof;
FIG. 4 is a left side elevation thereof;
FIG. 5 is a top plan view thereof;
FIG. 6 is a bottom plan view thereof; and,
FIG. 7 is a top plan view of the flexible paver restraint shown in a curved configuration.
The flexible paver restraint is shown with a symbolic break in its length. The appearance of any portion of the flexible paver restraint between the break lines forms no part of the claimed design.

(56) **References Cited**

U.S. PATENT DOCUMENTS

D306,964 S * 4/1990 Zupancic D8/354
5,421,118 A * 6/1995 Bauer A01G 9/28
47/33
5,930,947 A * 8/1999 Eckhoff A01G 9/28
47/33
5,993,107 A * 11/1999 Bauer E01C 11/221
404/43
D434,639 S * 12/2000 Willett D8/354
D442,471 S * 5/2001 Willett D8/354
D447,606 S * 9/2001 Miller D25/199
D453,578 S * 2/2002 Olson D25/164
6,379,078 B1 * 4/2002 Zwier E01C 11/221
404/4

1 Claim, 3 Drawing Sheets



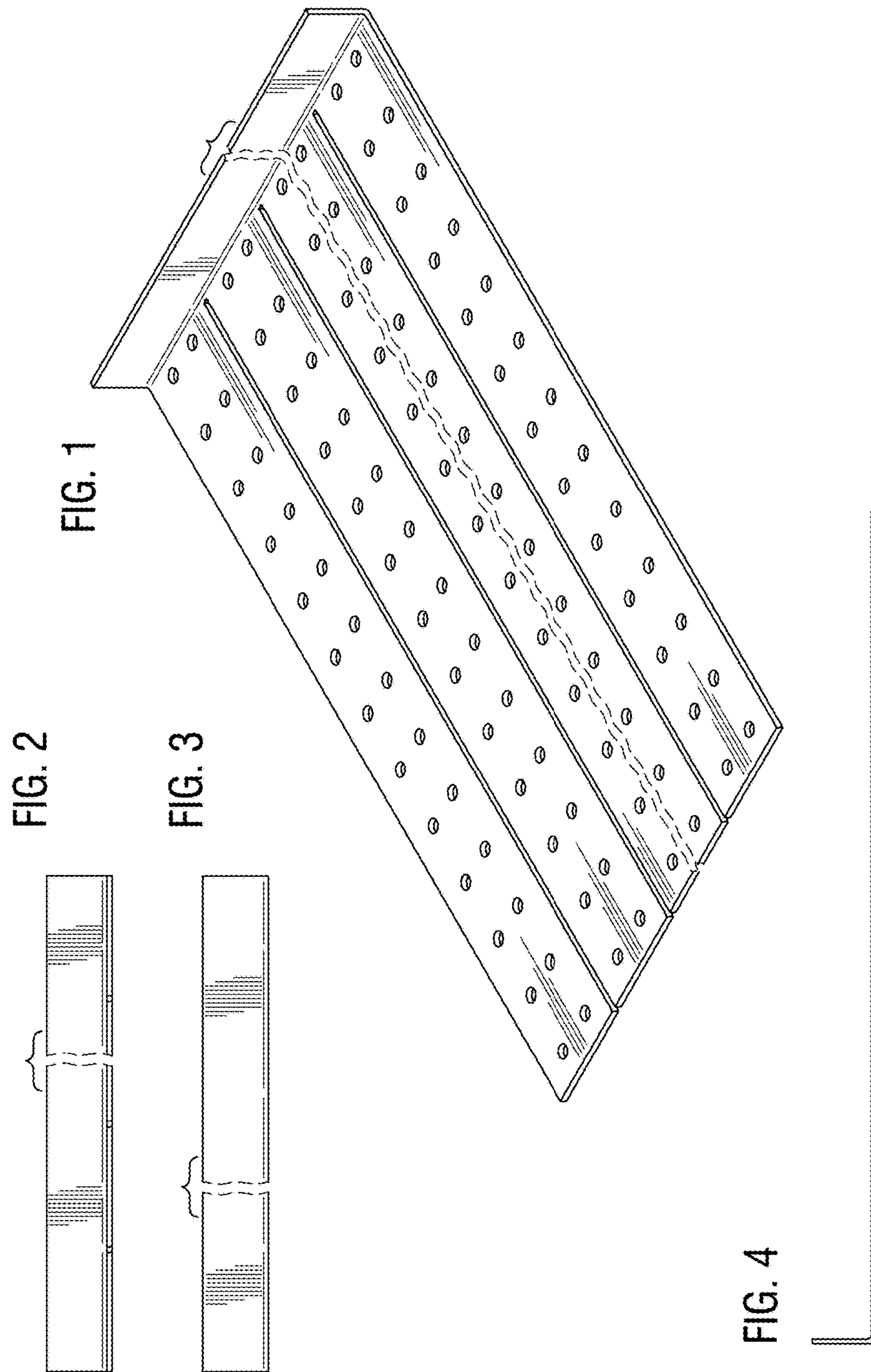


FIG. 5

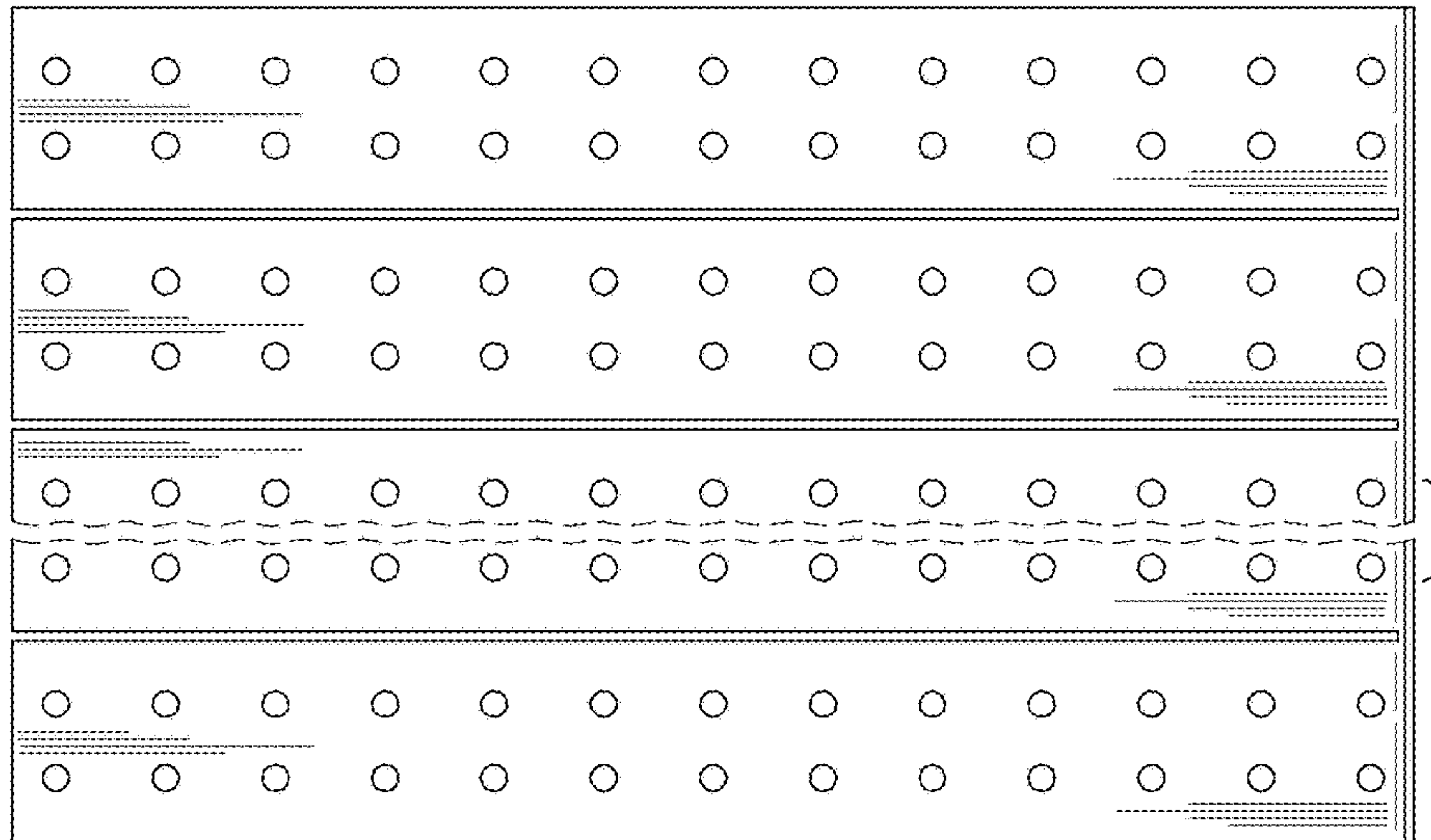
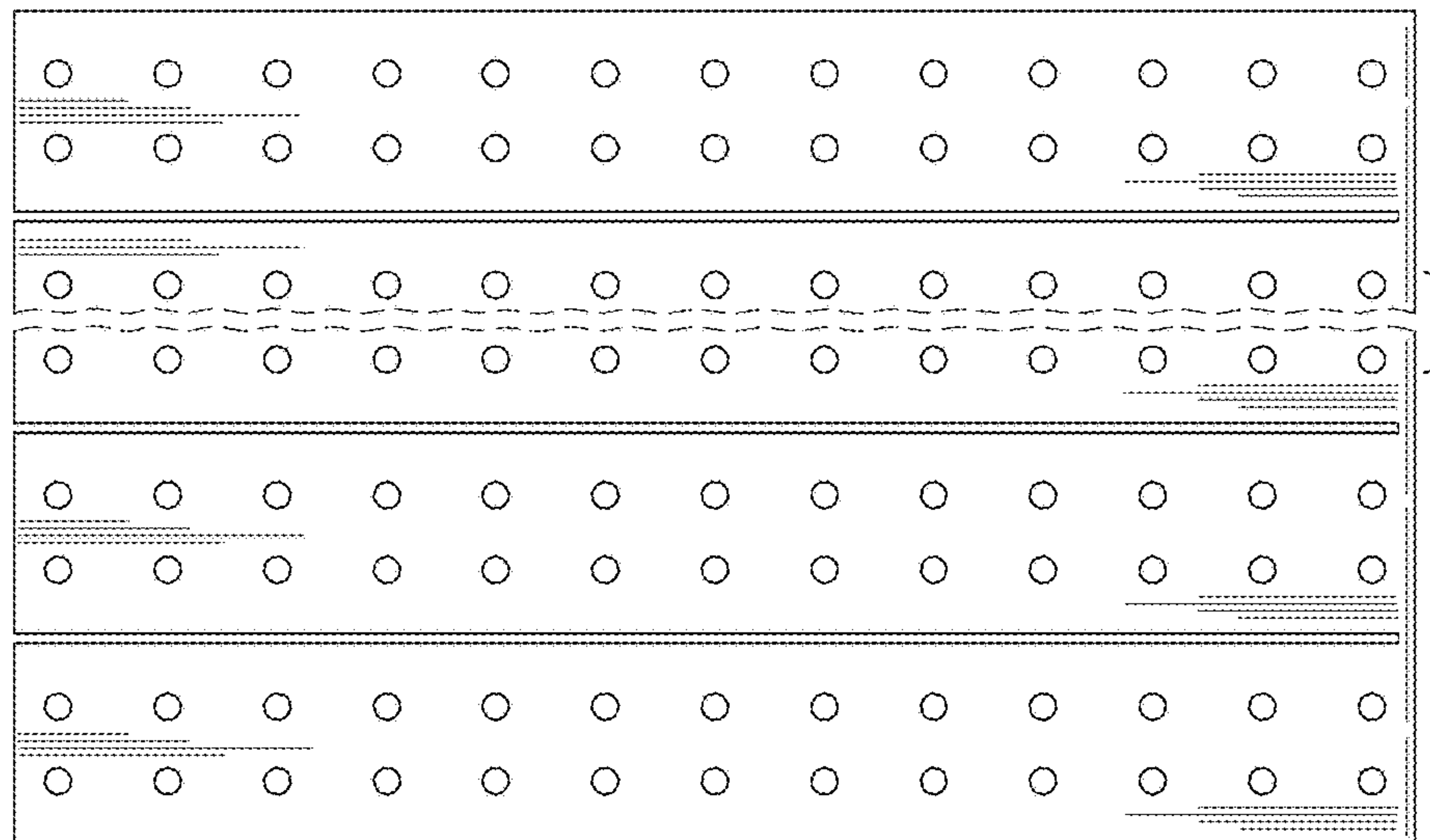


FIG. 6



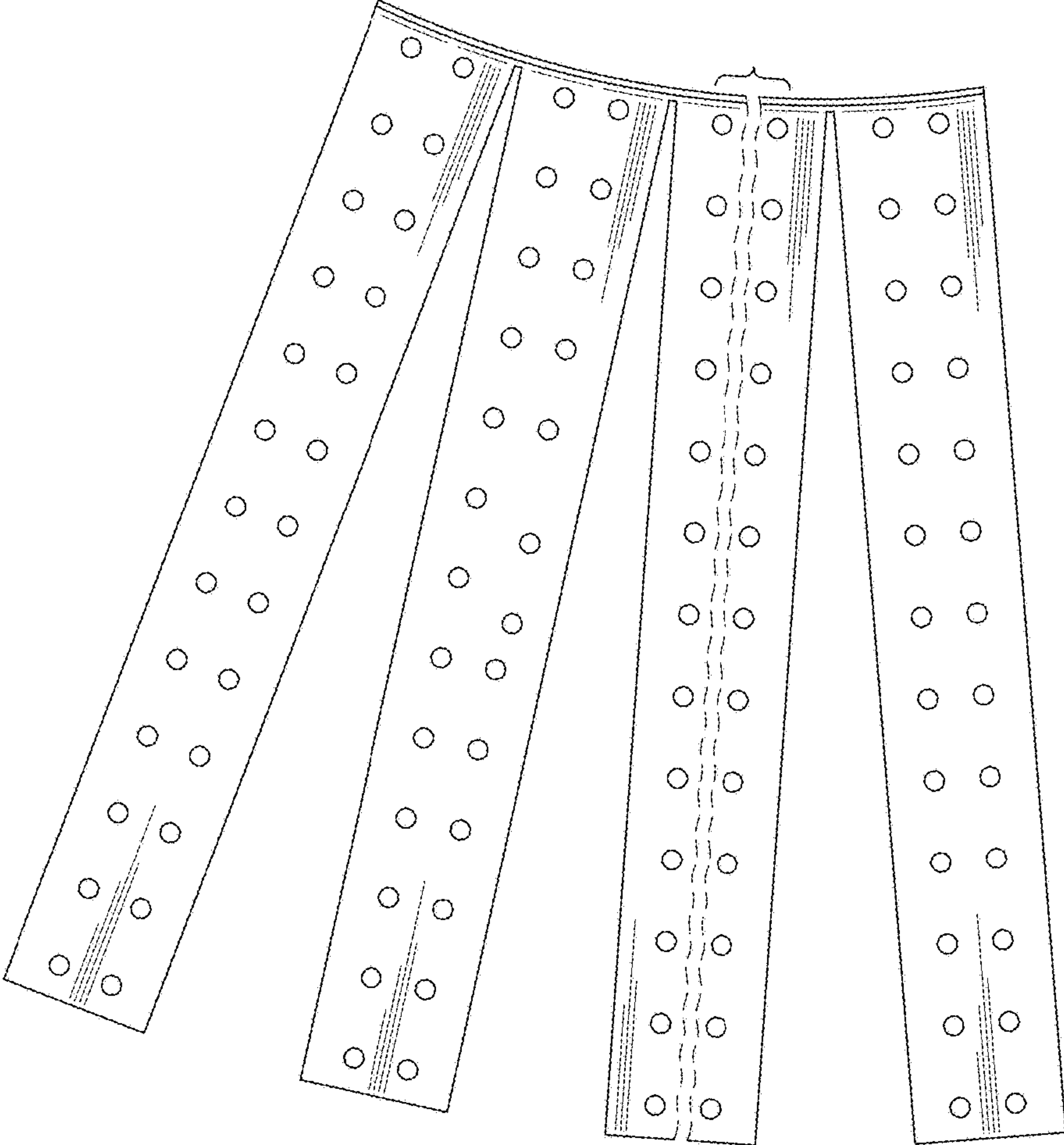


FIG. 7