



US00D872904S

(12) **United States Design Patent** (10) **Patent No.:** **US D872,904 S**
Amrine et al. (45) **Date of Patent:** **** Jan. 14, 2020**

(54) **LANDSCAPE EDGING**

- (71) Applicant: **Dimex, LLC**, Marietta, OH (US)
- (72) Inventors: **Patrick Amrine**, Williamstown, WV (US); **Andy Antil**, Pickerington, OH (US); **Lyle A. James**, Kettering, OH (US); **Emily C. Martin**, Williamstown, WV (US); **Matthew T. Miller**, Marietta, OH (US); **Kevin R. Morey**, Marietta, OH (US)
- (73) Assignee: **Dimex, LLC**, Marietta, OH (US)
- (**) Term: **15 Years**
- (21) Appl. No.: **29/642,868**
- (22) Filed: **Apr. 3, 2018**

Related U.S. Application Data

- (62) Division of application No. 29/635,740, filed on Feb. 2, 2018.
- (51) **LOC (12) Cl.** **25-01**
- (52) **U.S. Cl.**
USPC **D25/164**
- (58) **Field of Classification Search**
USPC D25/39, 136, 137, 164, 199
(Continued)

(56) **References Cited**

U.S. PATENT DOCUMENTS

268,441 A 12/1882 Tunica
457,886 A 8/1891 Landis
(Continued)

FOREIGN PATENT DOCUMENTS

GB 480927 A 3/1938
GB 2369979 A 6/2002
(Continued)

OTHER PUBLICATIONS

Dimex EdgePro Website. <http://www.edgepro.com/hardscapetedgepro-h.sub.-edge.html> Found Jul. 15, 2016.

(Continued)

Primary Examiner — L. Martinez

(74) *Attorney, Agent, or Firm* — Wood Herron & Evans LLP

(57) **CLAIM**

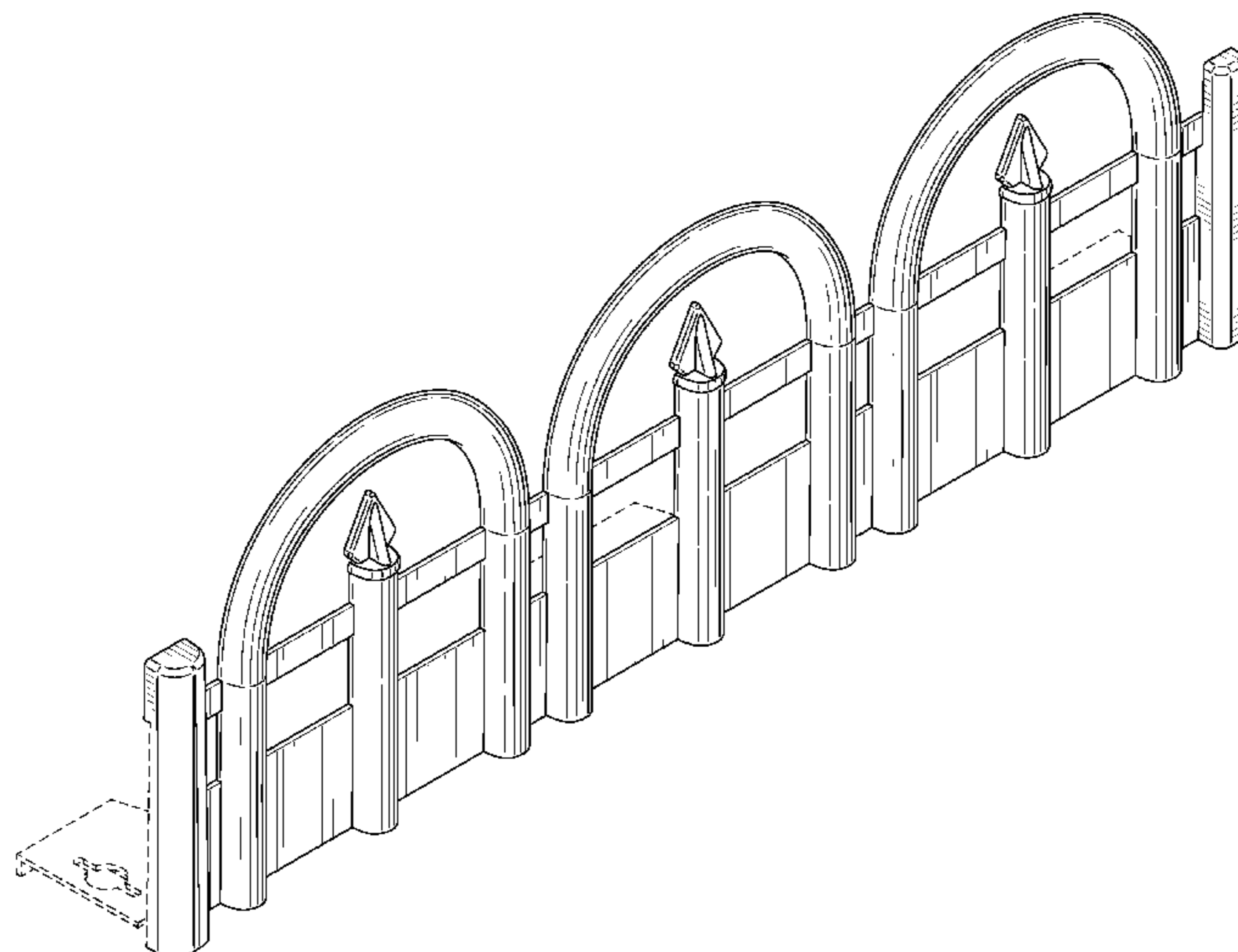
The ornamental design for a landscape edging, as shown and described.

DESCRIPTION

FIG. 1 is a front isometric view of a first embodiment of a landscape edging, showing our new design; FIG. 2 is a rear isometric view thereof; FIG. 3 is a front elevation view thereof; FIG. 4 is a rear elevation view thereof; FIG. 5 is a left-side elevation view thereof; FIG. 6 is a right-side elevation view thereof; FIG. 7 is a top plan view thereof; FIG. 8 is a bottom plan view thereof; FIG. 9 is a top plan view with the invention shown in an arcuate configuration; FIG. 10 is a front isometric view of a second embodiment of the landscape edging, showing our new design; FIG. 11 is a rear isometric view thereof; FIG. 12 is a front elevation view thereof; FIG. 13 is a rear elevation view thereof; FIG. 14 is a left-side elevation view thereof; FIG. 15 is a right-side elevation view thereof; FIG. 16 is a top plan view thereof; FIG. 17 is a bottom plan view thereof; and, FIG. 18 is a top plan view with the invention shown in an arcuate configuration.

The broken lines in the drawings illustrate portions of the landscape edging that form no part of the claimed design.

1 Claim, 14 Drawing Sheets



US D872,904 S

(58) **Field of Classification Search**
 CPC A01G 9/00; A01G 9/28; Y10S 30/05
 See application file for complete search history.

(56) **References Cited**

U.S. PATENT DOCUMENTS

992,529	A	5/1911	Abraham	
1,666,613	A	4/1928	Woods	
1,843,108	A	2/1932	Clayden	
1,997,876	A	4/1935	Sheldon	
2,163,613	A	6/1939	Manofsky	
2,164,681	A	7/1939	Fould	
2,193,425	A	3/1940	Lake	
D130,420	S	11/1941	Schlatter	
D151,022	S	9/1948	Weber et al.	
D178,659	S	9/1956	Hield	
2,809,809	A	10/1957	Johnston	
2,877,600	A	3/1959	Slate	
D185,236	S	5/1959	Reese	
3,170,201	A	2/1965	Nofziger	
3,222,841	A	12/1965	Lipof	
3,314,193	A	4/1967	Chancellor	
3,332,197	A	7/1967	Hinkle	
3,378,949	A	4/1968	Dorris	
3,484,989	A	12/1969	Lazinsky	
3,520,082	A	7/1970	Smith	
3,604,164	A	9/1971	Mason	
3,619,944	A	11/1971	Matvey	
3,728,837	A	4/1973	Kiefer, Jr.	
3,788,001	A	1/1974	Balfanz, Jr.	
3,815,311	A	6/1974	Nisula et al.	
3,957,383	A	5/1976	Fredericks	
4,182,072	A	1/1980	Much	
4,202,145	A	5/1980	Coulter et al.	
D257,064	S	9/1980	Kobee	
4,349,596	A	9/1982	Hendrix	
4,628,632	A	12/1986	Zwier	
4,744,194	A	5/1988	Yasuyoshi	
4,761,923	A	8/1988	Reum et al.	
4,809,459	A	3/1989	Brylla et al.	
4,824,068	A	4/1989	Ferland	
4,858,379	A	8/1989	West	
4,863,307	A	9/1989	Jones	
4,905,442	A	3/1990	Daniels	
4,907,783	A	3/1990	Fisk et al.	
4,987,717	A	1/1991	Dameron, Jr.	
5,020,272	A	6/1991	Herrema et al.	
5,048,241	A	9/1991	Gavin, Jr.	
5,117,583	A	6/1992	Reum	
D329,707	S	9/1992	Embree et al.	
D329,709	S	9/1992	Strobl, Jr.	
5,152,507	A	10/1992	Lee	
5,157,867	A	10/1992	Fritch	
5,212,917	A	5/1993	Kurtz et al.	
5,236,179	A *	8/1993	Schropp A01G 9/28 256/19	
5,240,343	A	8/1993	Strobl, Jr.	
D339,199	S	9/1993	Rynberk	
5,301,461	A	4/1994	Zwier	
5,375,941	A	12/1994	Strobl, Jr.	
5,379,546	A	1/1995	Popp	
5,414,956	A *	5/1995	Kheradpir A01G 9/28 47/33	
5,421,118	A	6/1995	Bauer	
5,426,888	A *	6/1995	Gnaedig A01G 9/28 47/33	
5,442,877	A	8/1995	Lindhal	
5,445,362	A *	8/1995	Reppert A01G 9/28 256/24	
D363,788	S	10/1995	Caley	
D363,801	S	10/1995	Nauseda	
D366,191	S	1/1996	Gay	
5,501,036	A	3/1996	Torp, Jr. et al.	
D368,969	S	4/1996	Davies	
D372,547	S	8/1996	Sjodin	
D373,205	S	8/1996	Caley	

5,544,445	A	8/1996	Mantilla	
D378,857	S	4/1997	Hale	
5,640,801	A	6/1997	Rynberk	
D393,164	S	4/1998	Russell et al.	
5,771,643	A	6/1998	Parker	
5,772,357	A	6/1998	Evans	
5,826,372	A *	10/1998	Parsons A01G 9/28 47/33	
D400,985	S	11/1998	Risi	
D408,558	S	4/1999	Levy	
D413,397	S	8/1999	Benjamin	
5,930,947	A	8/1999	Eckhoff	
5,941,018	A	8/1999	Herrema	
5,961,101	A *	10/1999	Anticole A01G 9/28 256/24	
6,012,254	A	1/2000	Gaston	
6,030,144	A	2/2000	Cannella	
6,038,811	A	3/2000	Conway	
D424,714	S	5/2000	Hale	
D426,322	S *	6/2000	Anderson D25/164	
6,085,458	A	7/2000	Gau	
6,099,201	A	8/2000	Abbrancati	
6,102,374	A *	8/2000	Macri A01G 9/28 256/24	
6,108,969	A	8/2000	Danna et al.	
D430,683	S *	9/2000	van Rhielen D25/164	
6,138,406	A *	10/2000	Clark, Jr. A01G 9/28 47/33	
D433,291	S	11/2000	Shamoon	
6,226,934	B1	5/2001	Gaston	
D450,856	S *	11/2001	McNeill D25/38.1	
6,324,782	B1	12/2001	Gaston	
6,324,783	B1	12/2001	McIntyre et al.	
D453,578	S	2/2002	Olson	
6,345,465	B1	2/2002	Allen et al.	
6,379,078	B1	4/2002	Zwier	
D457,251	S *	5/2002	Conde D25/100	
D457,663	S *	5/2002	Conde D25/164	
D457,973	S	5/2002	Conde	
6,386,517	B1 *	5/2002	McNeill E04H 17/1426 256/32	
D462,788	S	9/2002	Thornton et al.	
D463,581	S	9/2002	Mann	
D463,582	S	9/2002	Conde	
6,449,897	B1	9/2002	Gaston	
6,485,226	B1	11/2002	Harger	
D467,015	S	12/2002	O'Brien	
6,568,126	B2	5/2003	Womack	
6,619,565	B1	9/2003	Abbott	
6,622,426	B2 *	9/2003	Conde A01G 9/28 47/33	
6,629,383	B2	10/2003	Allen et al.	
6,643,977	B1	11/2003	Drysdale	
D489,465	S	5/2004	Allsopp	
6,754,989	B2	6/2004	Eicher	
6,779,297	B2	8/2004	Conde	
7,051,477	B2	5/2006	Bumham	
D541,952	S	5/2007	Keeley et al.	
D543,286	S	5/2007	Keeley et al.	
D548,368	S	8/2007	Hale et al.	
D586,005	S	2/2009	Schumaker et al.	
D606,670	S	12/2009	Keeley	
D612,072	S	3/2010	Keeley	
7,854,424	B1 *	12/2010	Cook A01G 9/28 256/24	
D733,936	S	7/2015	Amrine et al.	
D748,822	S	2/2016	Amrine et al.	
D748,823	S	2/2016	Amrine et al.	
D769,474	S *	10/2016	Sahaye D25/164	
D773,074	S	11/2016	Amrine et al.	
D776,834	S	1/2017	Amrine et al.	
D800,352	S *	10/2017	Amrine D25/164	
2002/0095862	A1 *	7/2002	Conde A01G 9/28 47/33	
2002/0139045	A1	10/2002	Womack	
2003/0126807	A1	7/2003	Daniels et al.	
2003/0188478	A1	10/2003	Womack	
2005/0028438	A1	2/2005	Campana	

(56)

References Cited

U.S. PATENT DOCUMENTS

2006/0118771 A1* 6/2006 Stein E01F 13/02
256/24
2010/0186293 A1* 7/2010 Flynn A01G 9/28
47/33
2013/0031848 A1* 2/2013 Perotti A01G 9/28
52/102
2016/0174466 A1 6/2016 Stoltzfus et al.

FOREIGN PATENT DOCUMENTS

JP 7255277 10/1995
JP 2002253060 A 9/2002
JP 3490497 B2 1/2004

OTHER PUBLICATIONS

Valley View Industries Website. Diamond-LoK paver edgings.
<http://www.valleyviewind.com/consumers/paver-edgings/diamond-paver-edge/> Copyright 2016. Found Jul. 15, 2016.
Valley View Specialties Co., Diamond-Lok Paver/Briick Edging,
Pre Apr. 1996.
Permaloc, Structure Edge Interlocking Snap-down Splicing System,
Pre Apr. 1996.

* cited by examiner

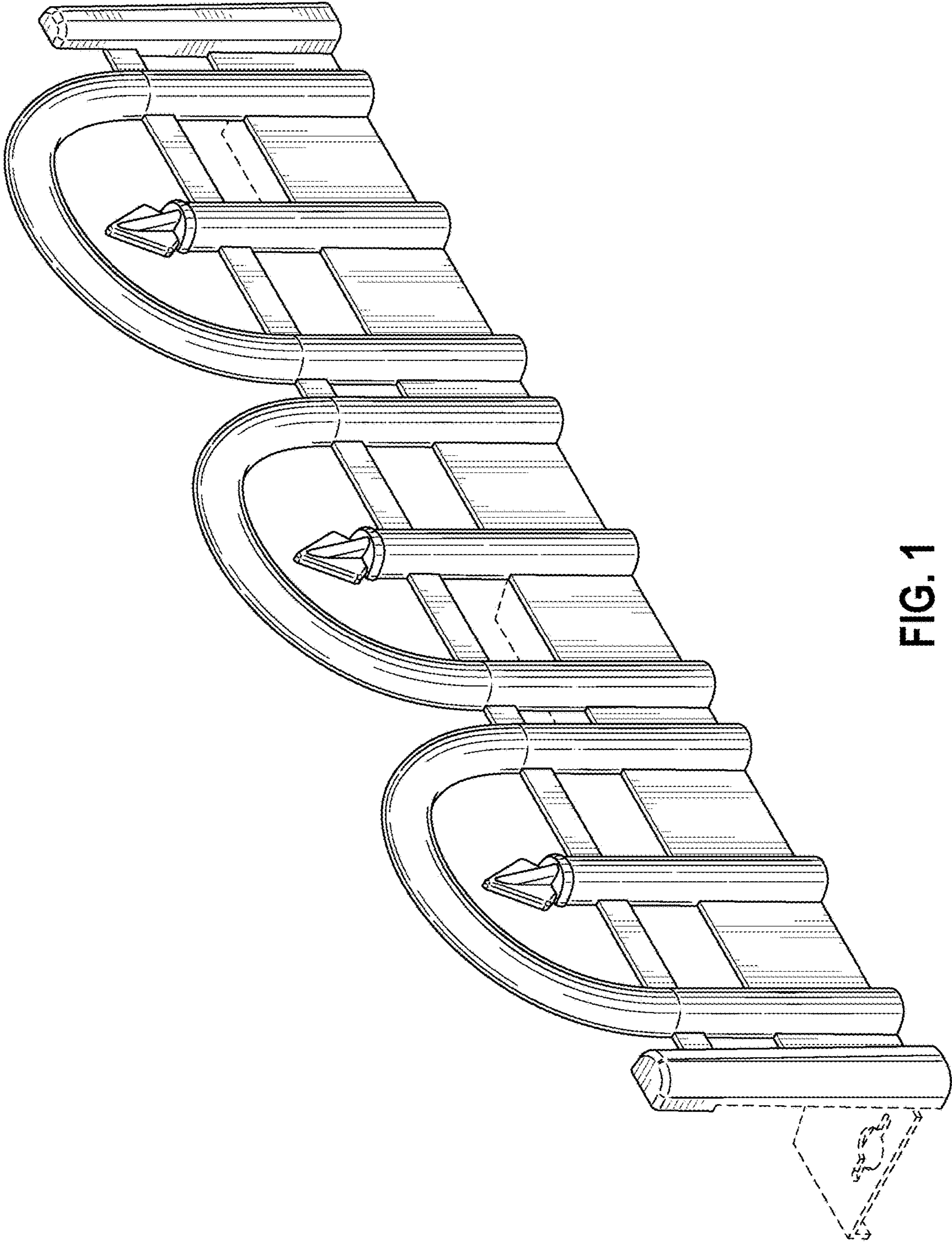


FIG. 1

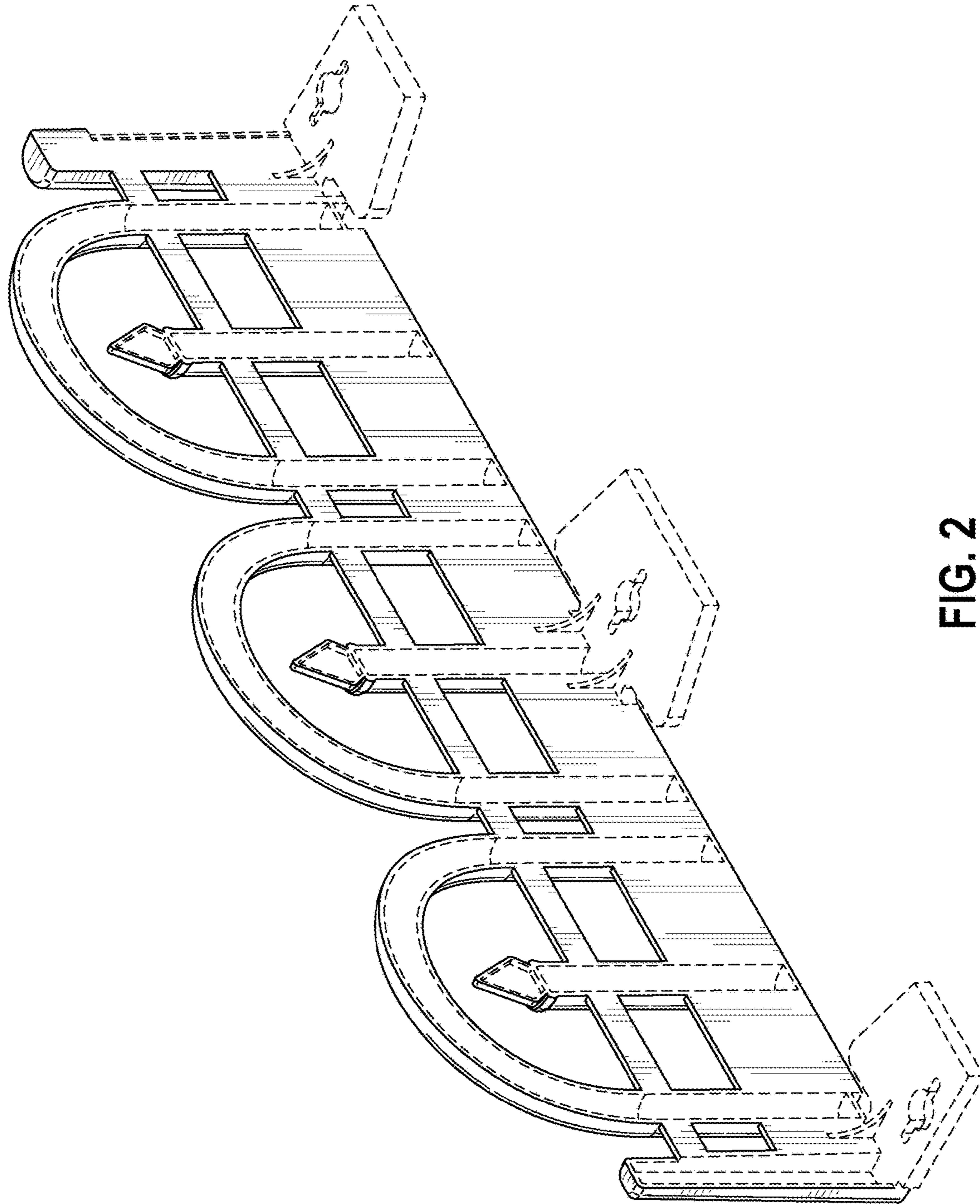


FIG. 2

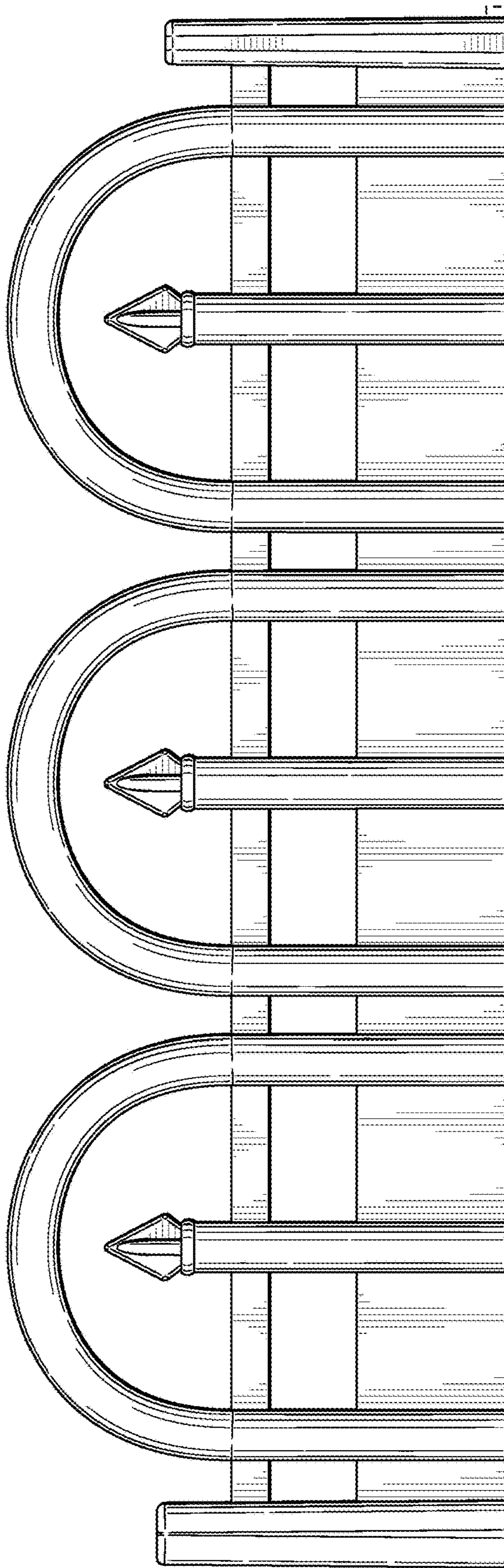


FIG. 3

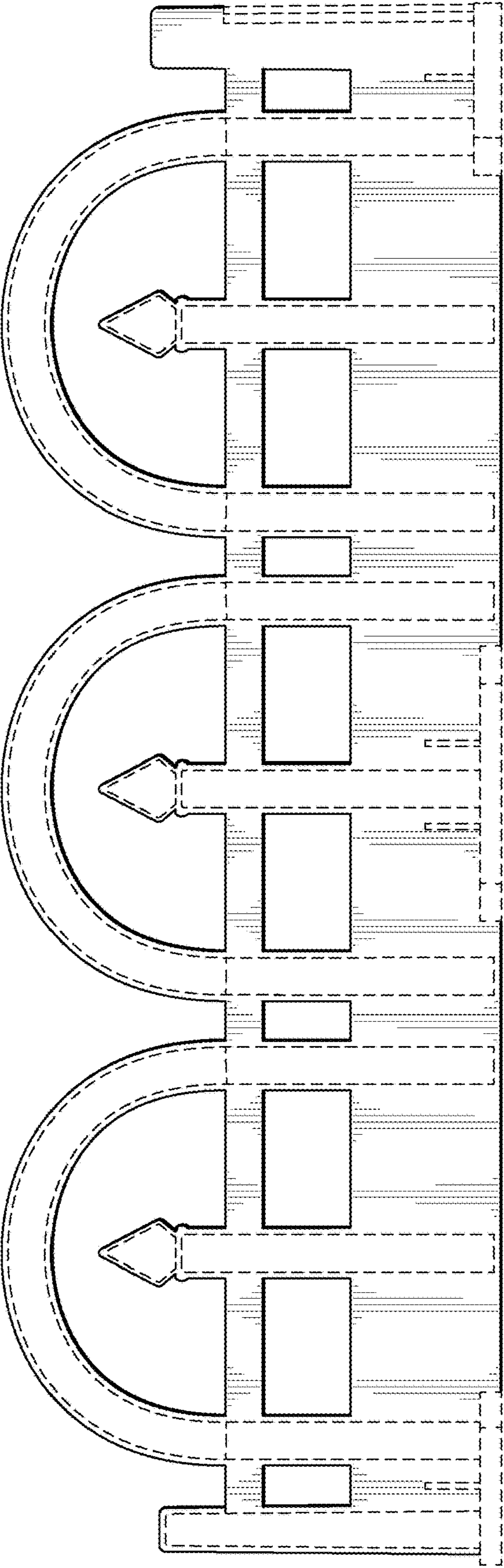


FIG. 4

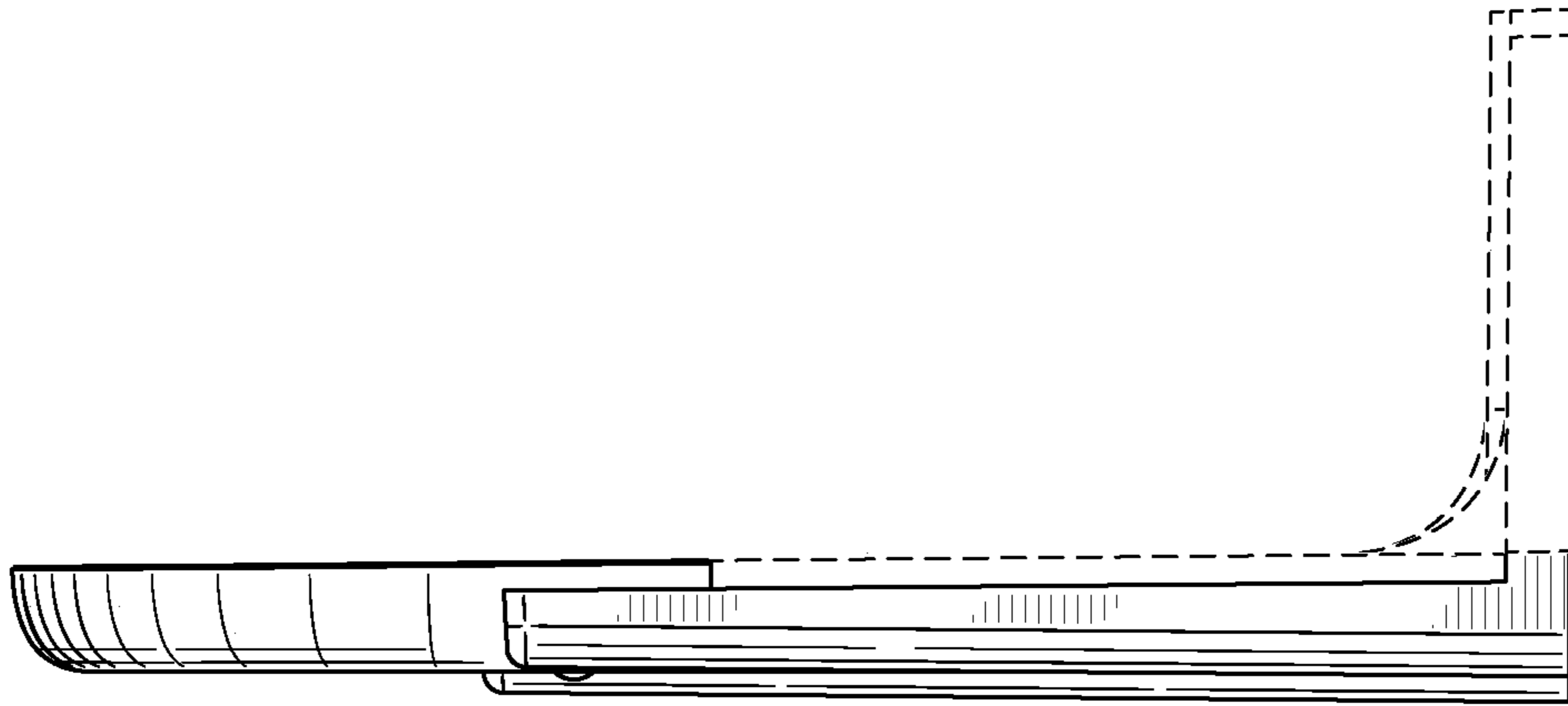


FIG. 6

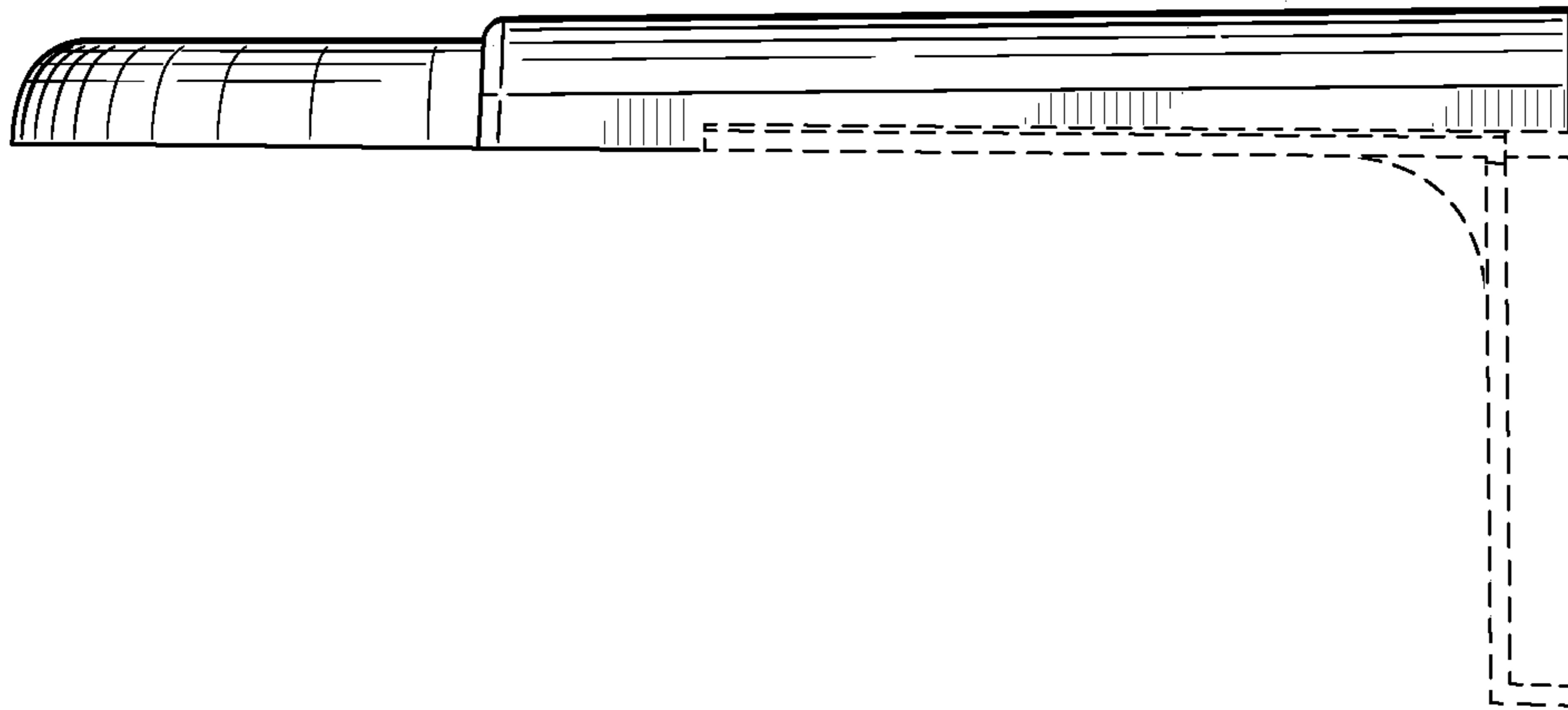


FIG. 5

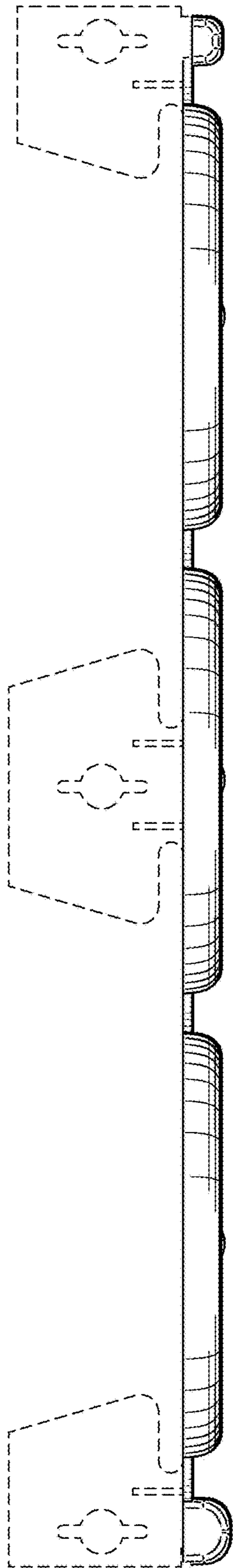


FIG. 7

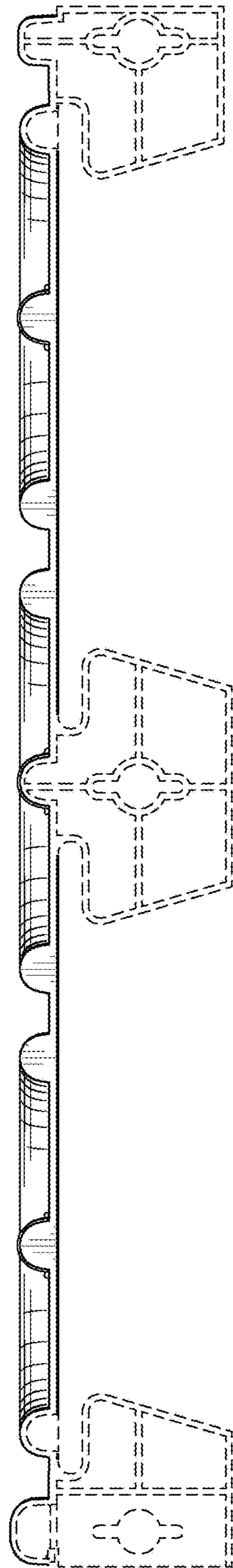


FIG. 8

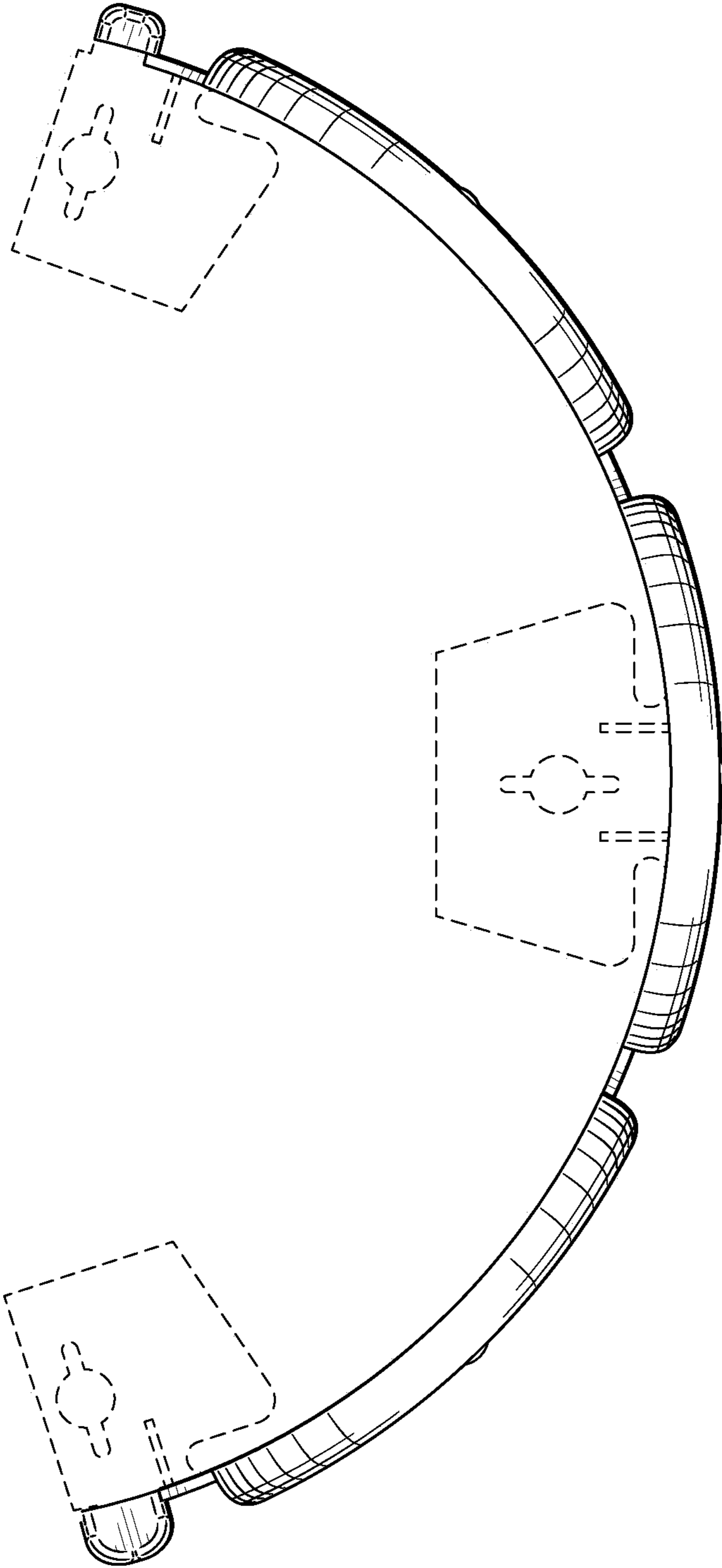


FIG. 9

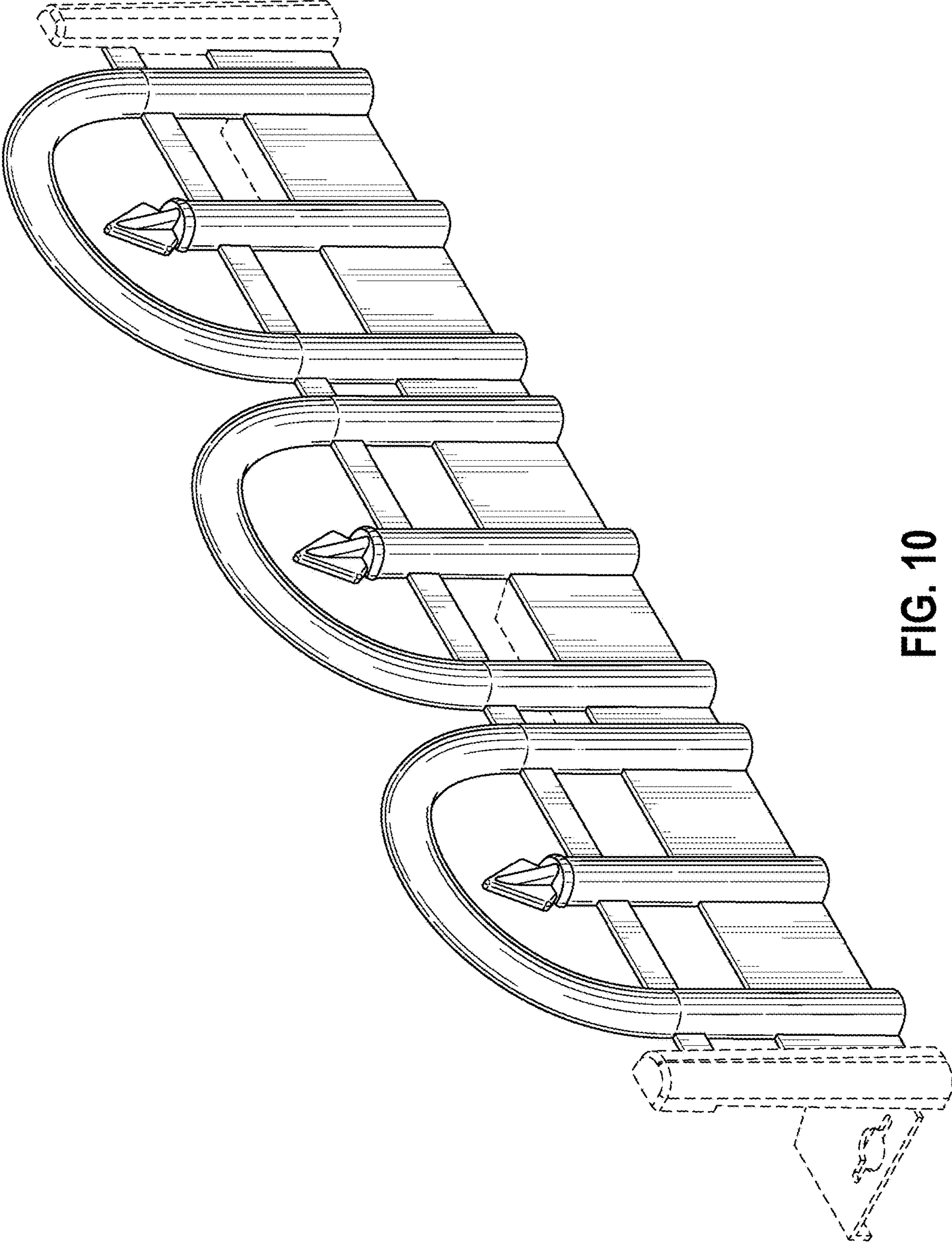


FIG. 10

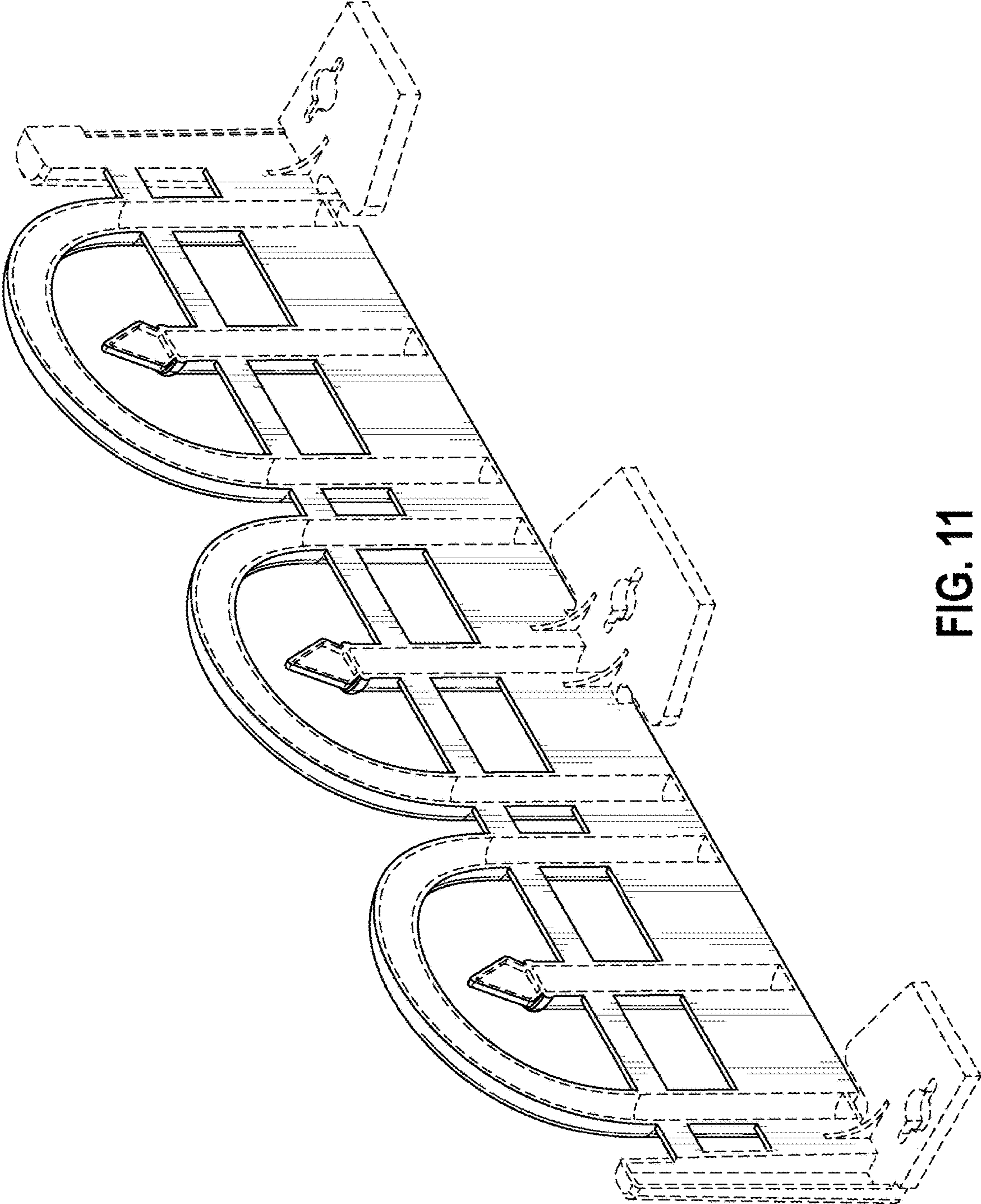


FIG. 11

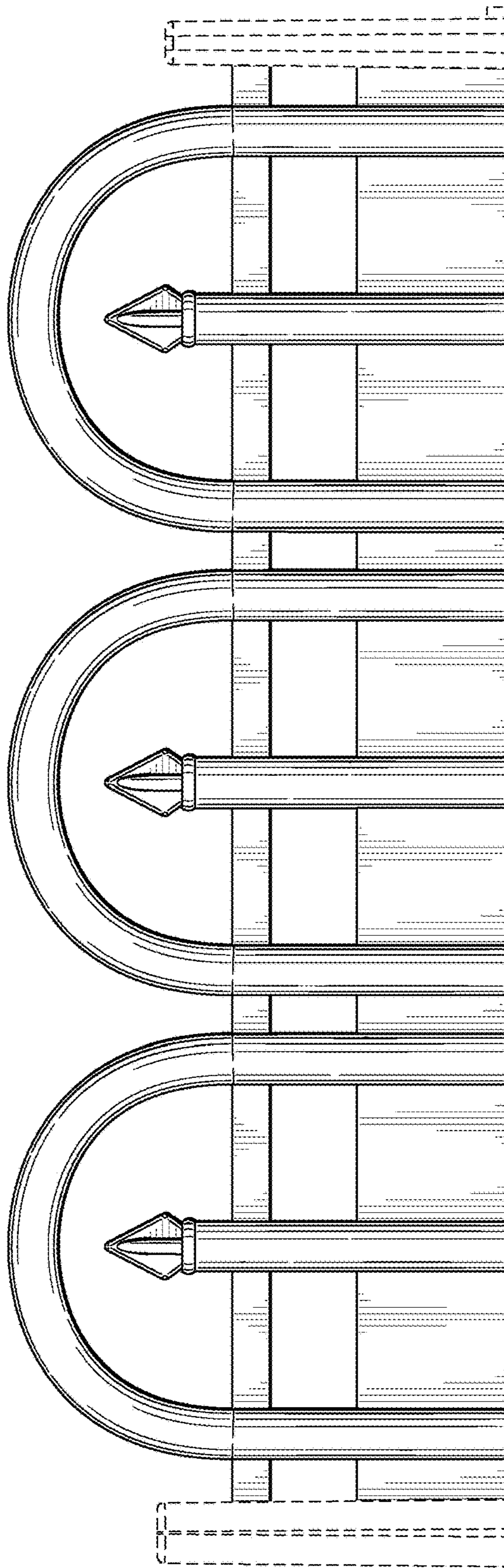


FIG. 12

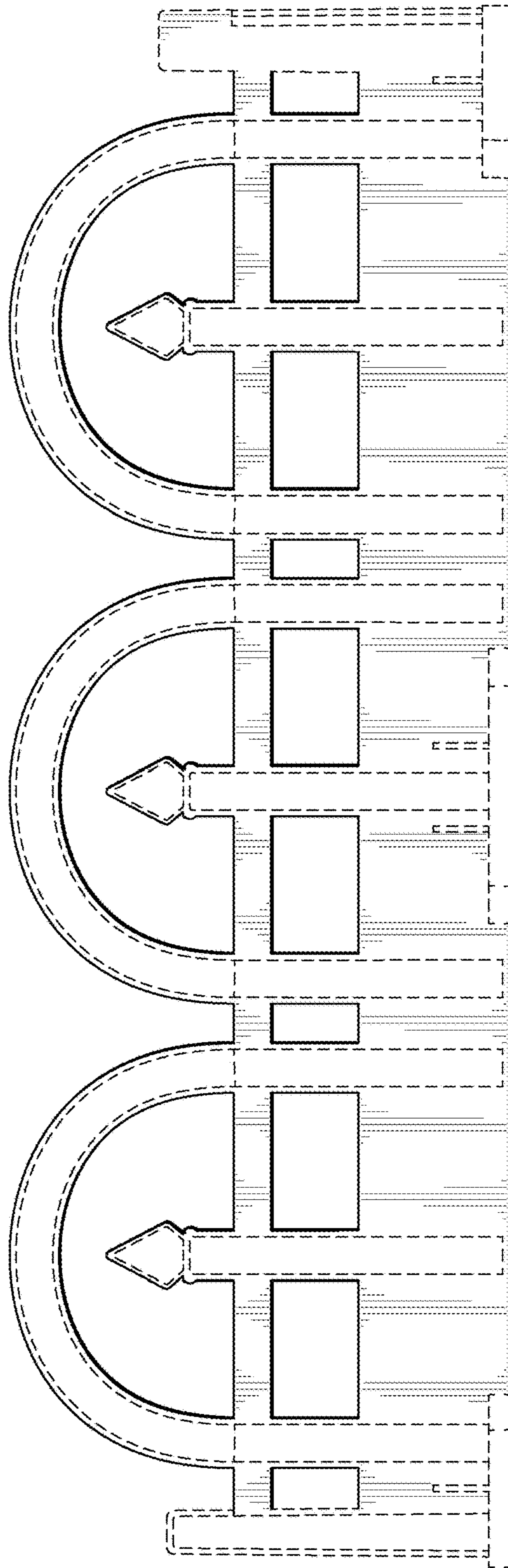


FIG. 13

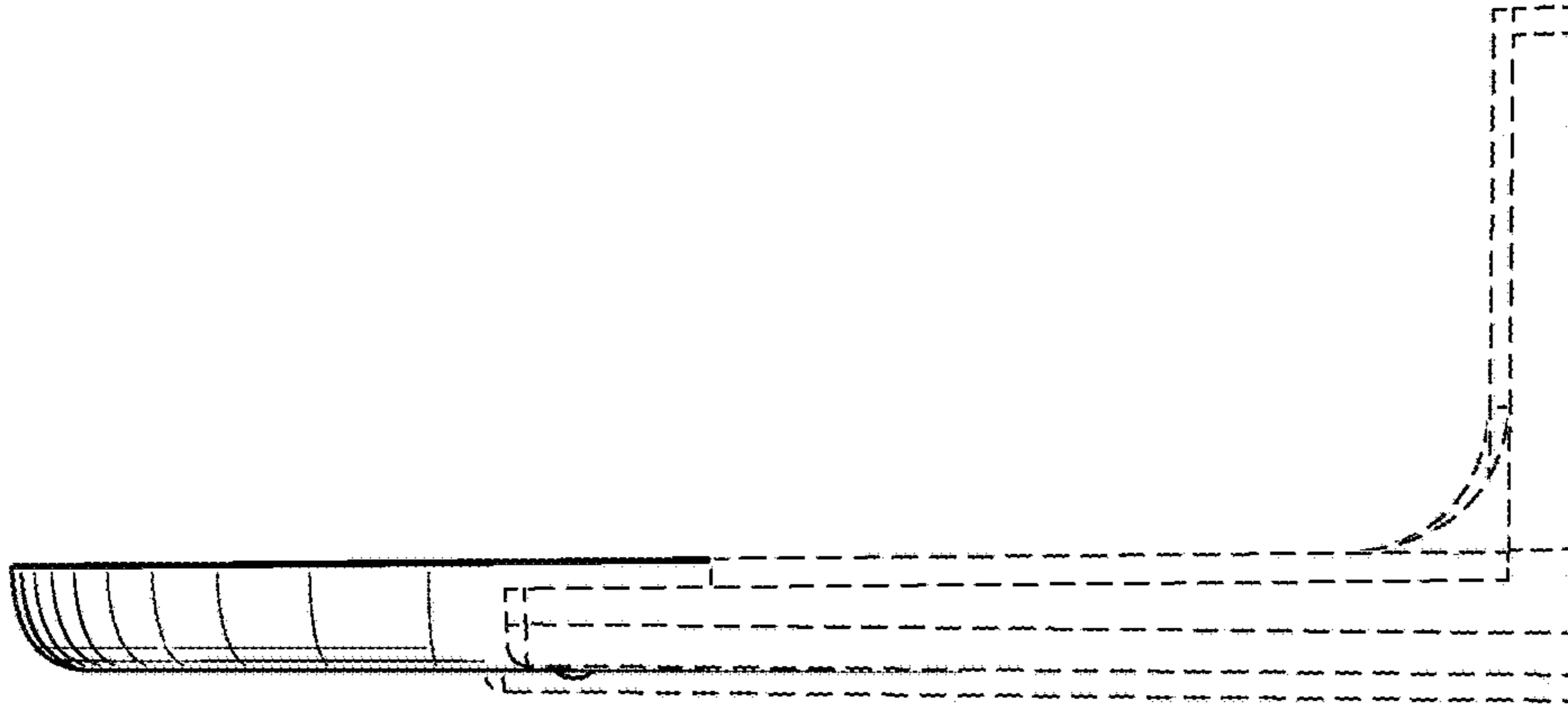


FIG. 15

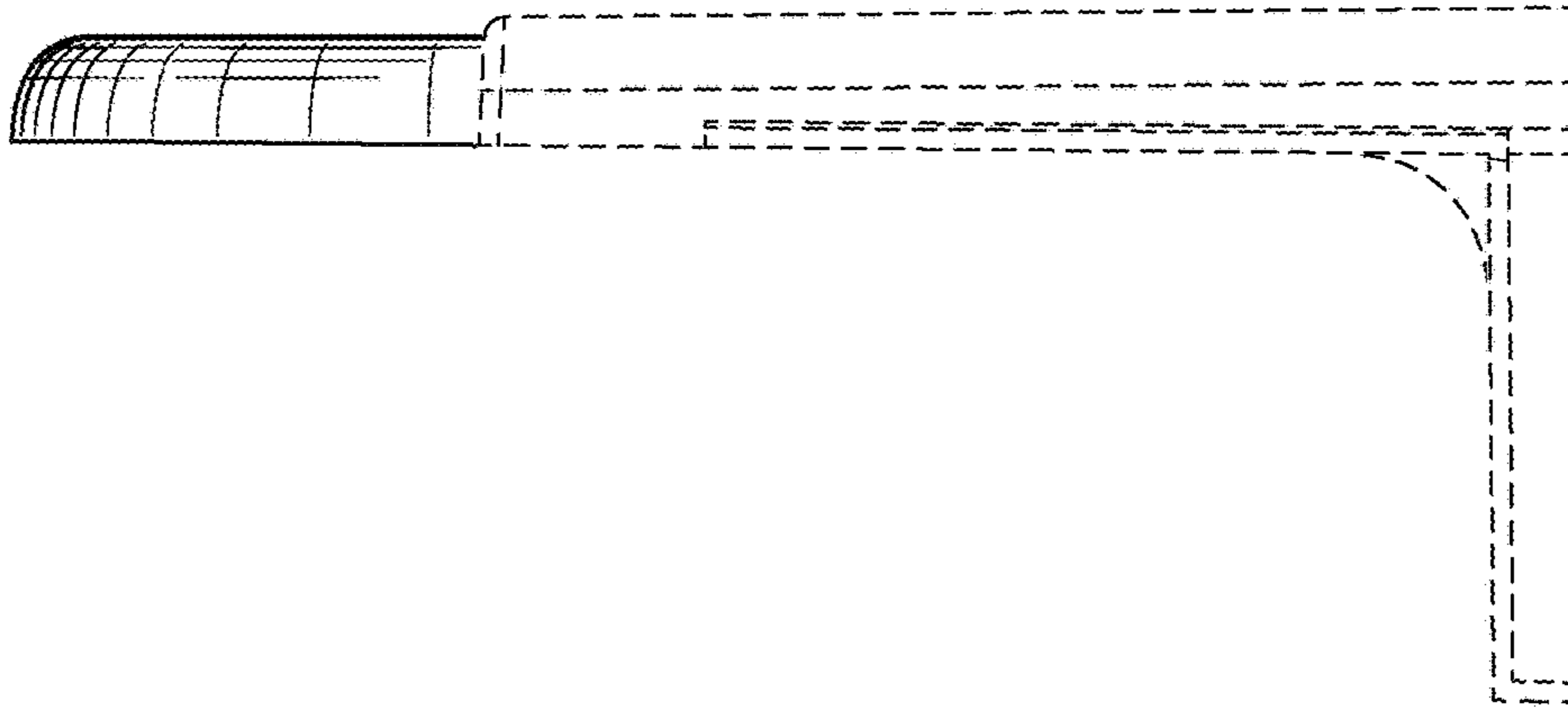


FIG. 14

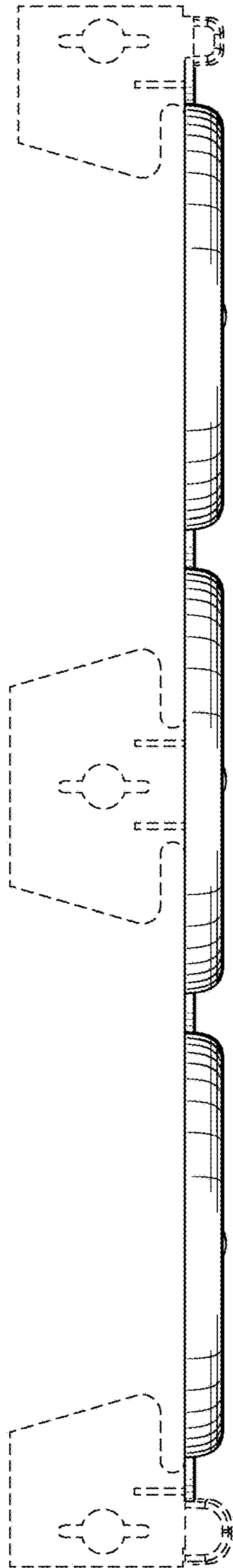


FIG. 16

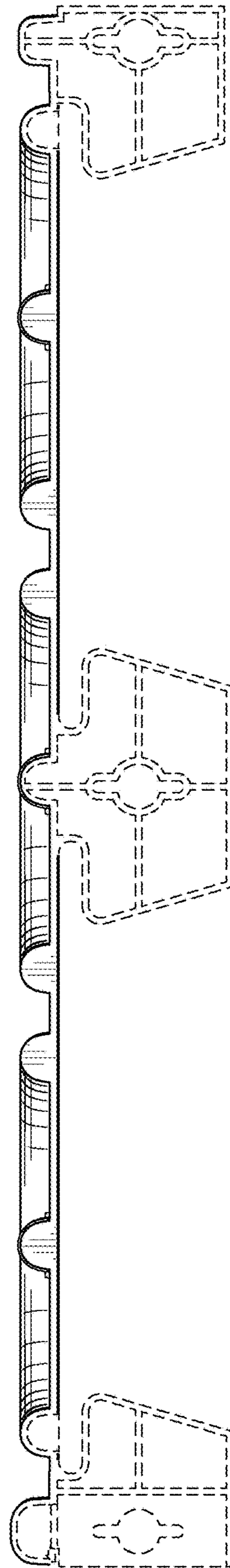


FIG. 17

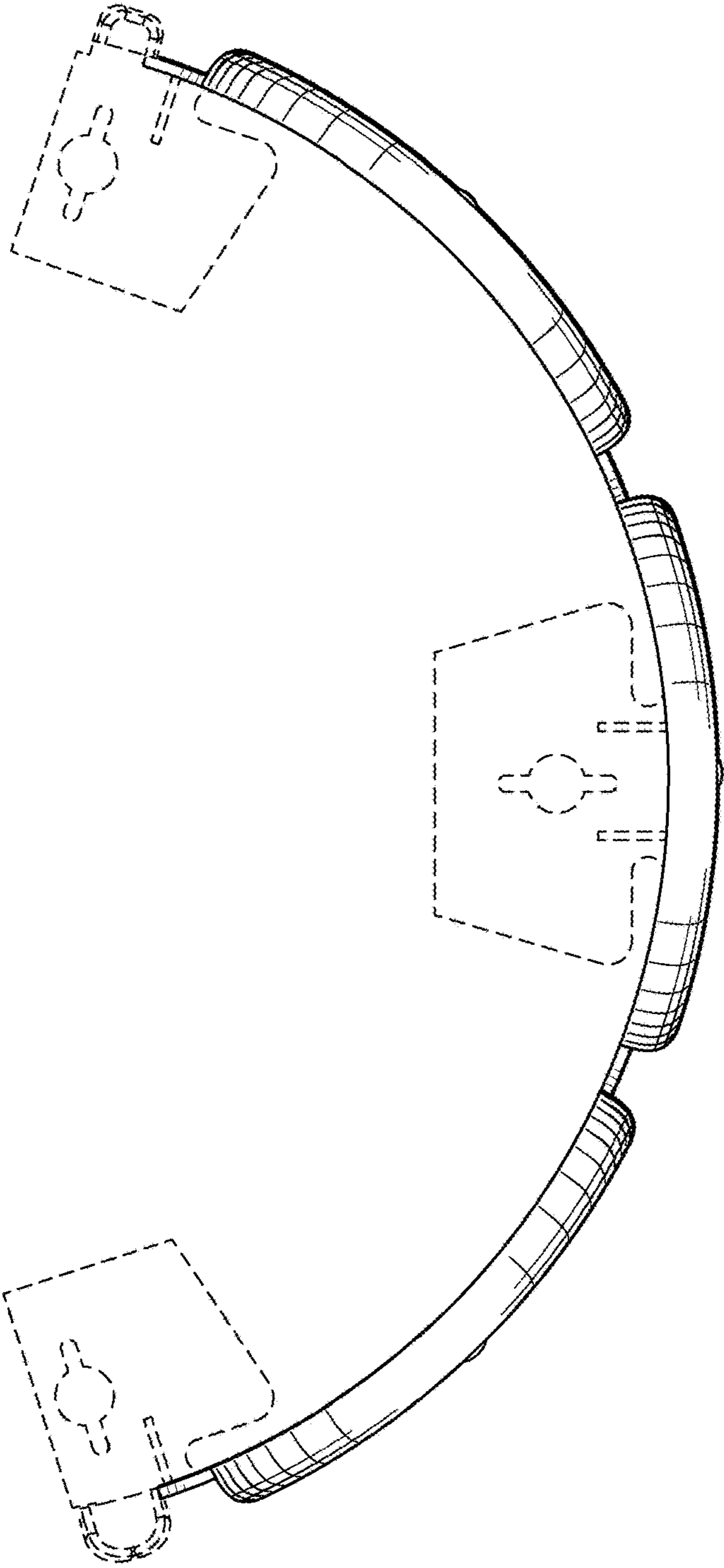


FIG. 18